



US00D674807S

(12) **United States Design Patent**
Derry et al.

(10) **Patent No.:** **US D674,807 S**
(45) **Date of Patent:** **** Jan. 22, 2013**

(54) **QUICK-RELEASE DISPLAY ADAPTER**

(75) Inventors: **Bradley A. Derry**, Easton, PA (US);
David VanDuzer, Slatington, PA (US);
Stephen J. Bowman, Allentown, PA
(US); **Odd N. Oddsen, Jr.**, Easton, PA
(US)

(73) Assignee: **Innovative Office Products, Inc.**,
Easton, PA (US)

(**) Term: **14 Years**

(21) Appl. No.: **29/401,573**

(22) Filed: **Sep. 13, 2011**

(51) **LOC (9) Cl.** **08-07**

(52) **U.S. Cl.** **D14/452**

(58) **Field of Classification Search** D14/451,
D14/452, 448, 447, 239, 253; D8/349, 363,
D8/373, 380; 248/917, 918, 919, 920-924,
248/122.1, 124.1, 125.8, 371, 393, 425, 176.1,
248/186.1, 274.1, 280.11, 284.1, 291.1; 361/692.21,
361/679.22

See application file for complete search history.

(56) **References Cited**

U.S. PATENT DOCUMENTS

6,505,988	B1	1/2003	Oddsen, Jr.	
6,554,238	B1	4/2003	Hibberd	
6,758,454	B2	7/2004	Smed	
6,915,996	B2 *	7/2005	Lin	248/288.51
7,232,098	B2	6/2007	Rawlings et al.	
D557,126	S *	12/2007	Worrall et al.	D8/380
7,317,613	B2	1/2008	Quijano et al.	
D563,774	S *	3/2008	Wohlford et al.	D8/363
D568,325	S *	5/2008	Muday et al.	D14/452
7,390,211	B2	6/2008	Moscovitch	
7,404,535	B2	7/2008	Mossman	
D595,299	S *	6/2009	Bures	D14/452
7,673,838	B2	3/2010	Oddsen, Jr. et al.	

D640,707	S *	6/2011	Yeh	D14/447
D649,552	S *	11/2011	Huang	D14/452
D652,423	S *	1/2012	Sapper	D14/452
2002/0011544	A1	1/2002	Bosson	
2003/0162510	A1	8/2003	Kim	
2004/0031894	A1	2/2004	Smed	
2005/0085123	A1	4/2005	Moscovitch	
2006/0266903	A1 *	11/2006	Oddsen et al.	248/274.1

* cited by examiner

Primary Examiner — Cynthia Ramirez

(74) *Attorney, Agent, or Firm* — Design IP

(57) **CLAIM**

The ornamental design for a quick-release display adapter, as shown and described.

DESCRIPTION

FIG. 1 is a perspective view of an embodiment of an adapter plate of a quick-release display adapter showing our new design;

FIG. 2 is a front view thereof;

FIG. 3 is a rear view thereof;

FIG. 4 is a right side view thereof;

FIG. 5 is a left side view thereof;

FIG. 6 is a top view thereof;

FIG. 7 is a bottom view thereof;

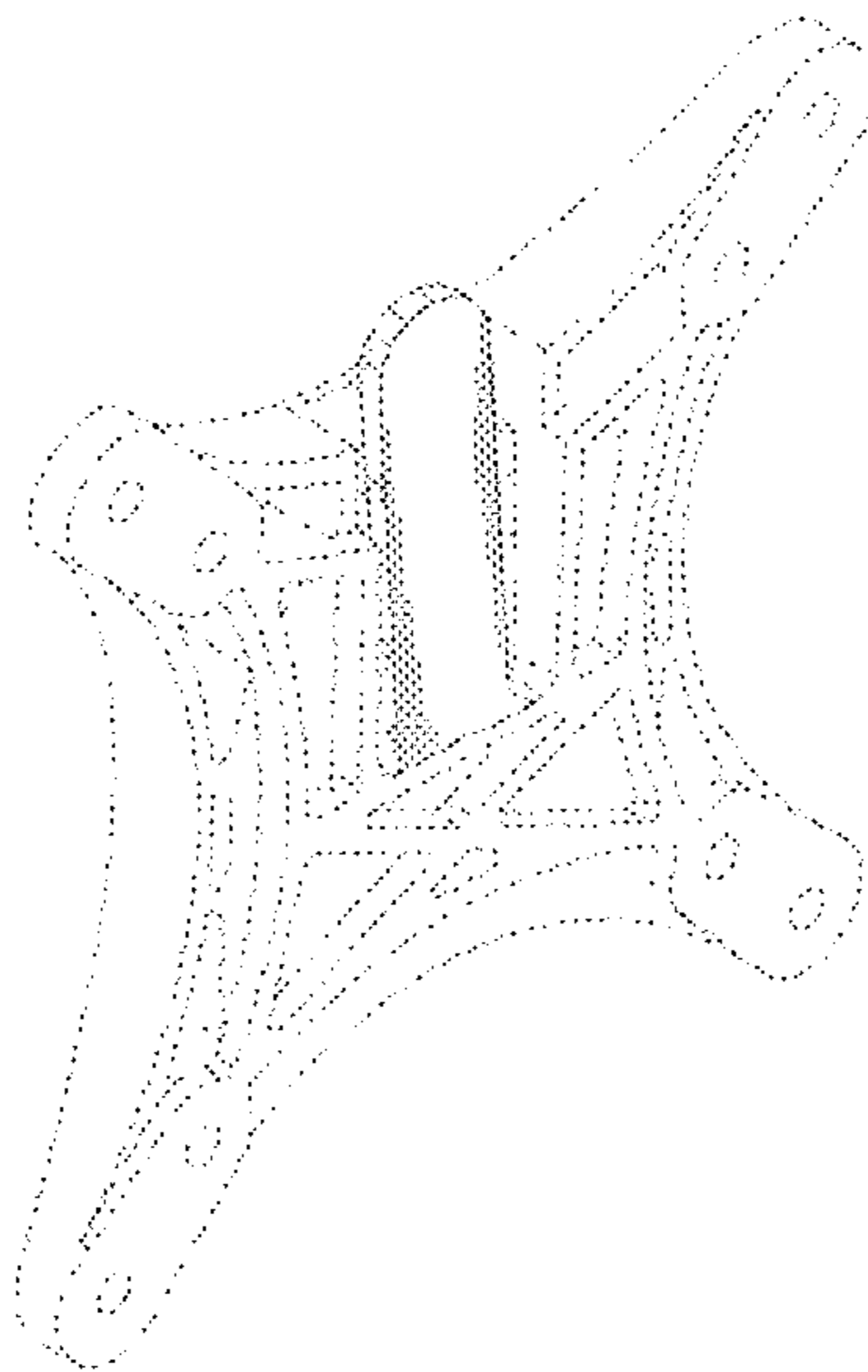
FIG. 8 is a sectional view taken along line 8-8 of FIG. 2, showing portions of the left side of the tab of the adapter plate that are obscured from view in FIG. 1;

FIG. 9 is a sectional view taken along line 9-9 of FIG. 2, showing the right side of the tab of the adapter plate; and,

FIG. 10 is a sectional view taken along line 10-10 of FIG. 4, showing portions of the rear surface of the adapter plate that are obscured from view in FIG. 3.

The dashed lines shown in FIGS. 1-10 are included for the purpose of illustrating environmental subject matter only and form no part of the claimed design.

1 Claim, 6 Drawing Sheets



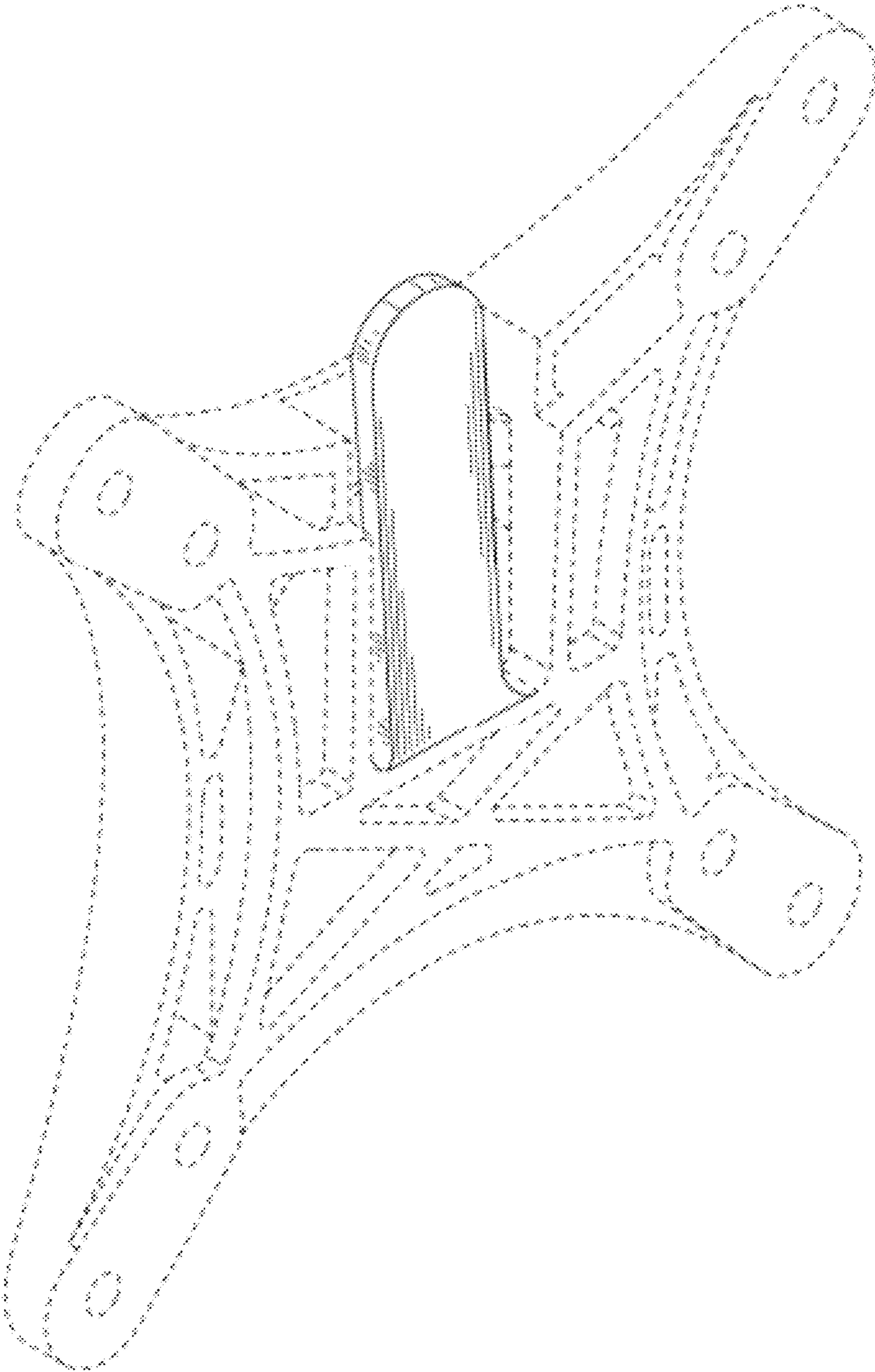


FIG. 1

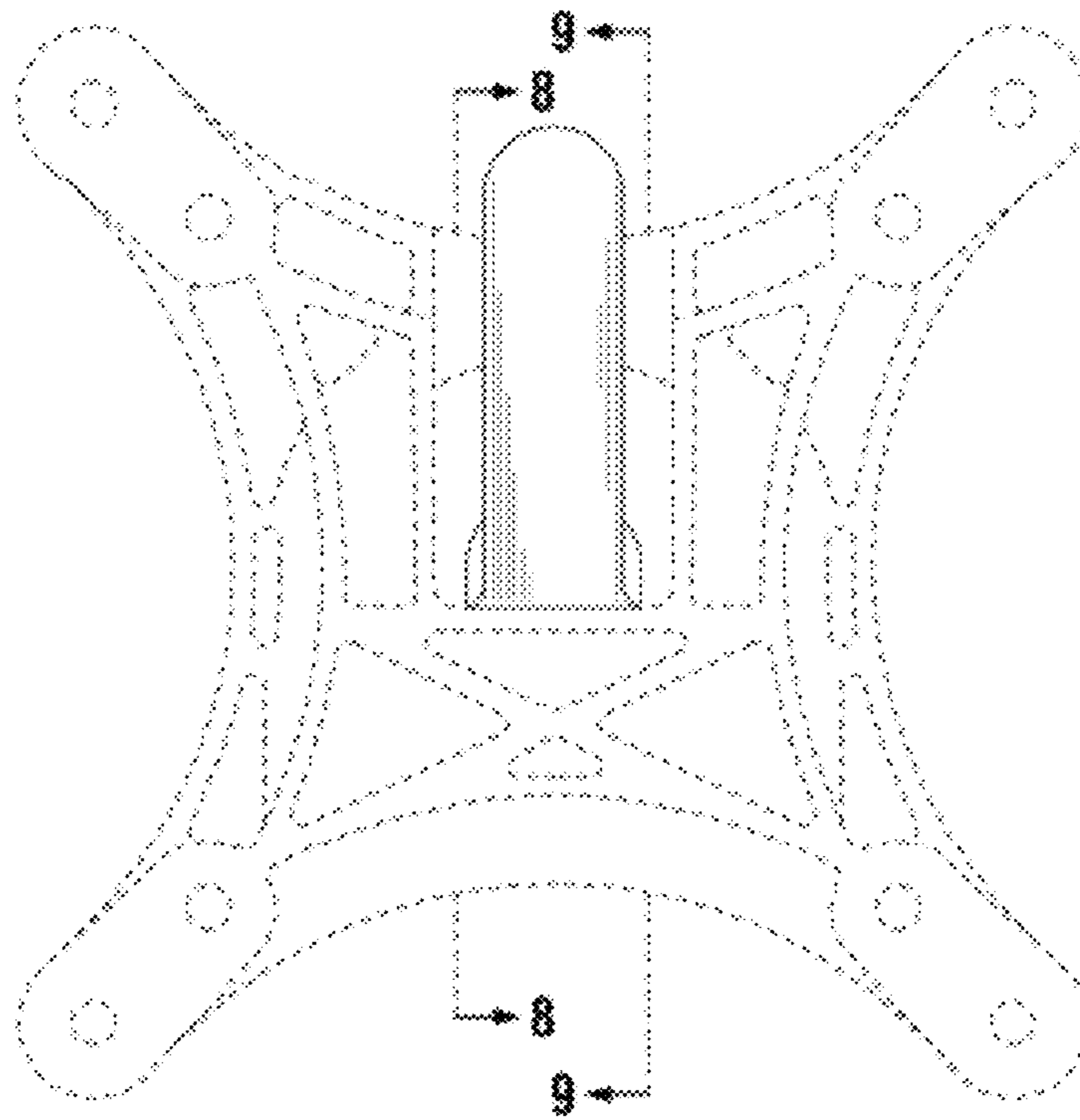


FIG. 2

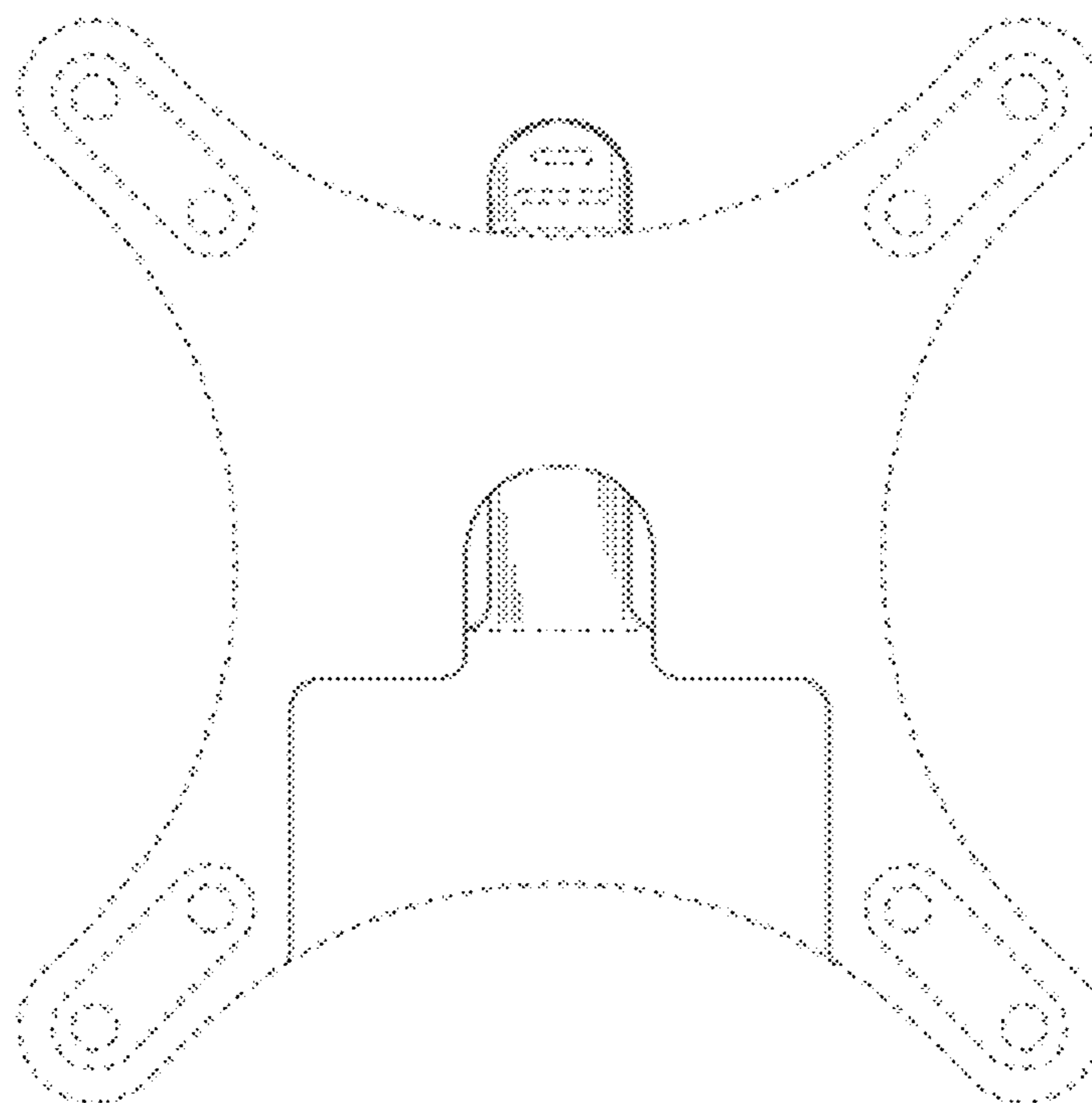
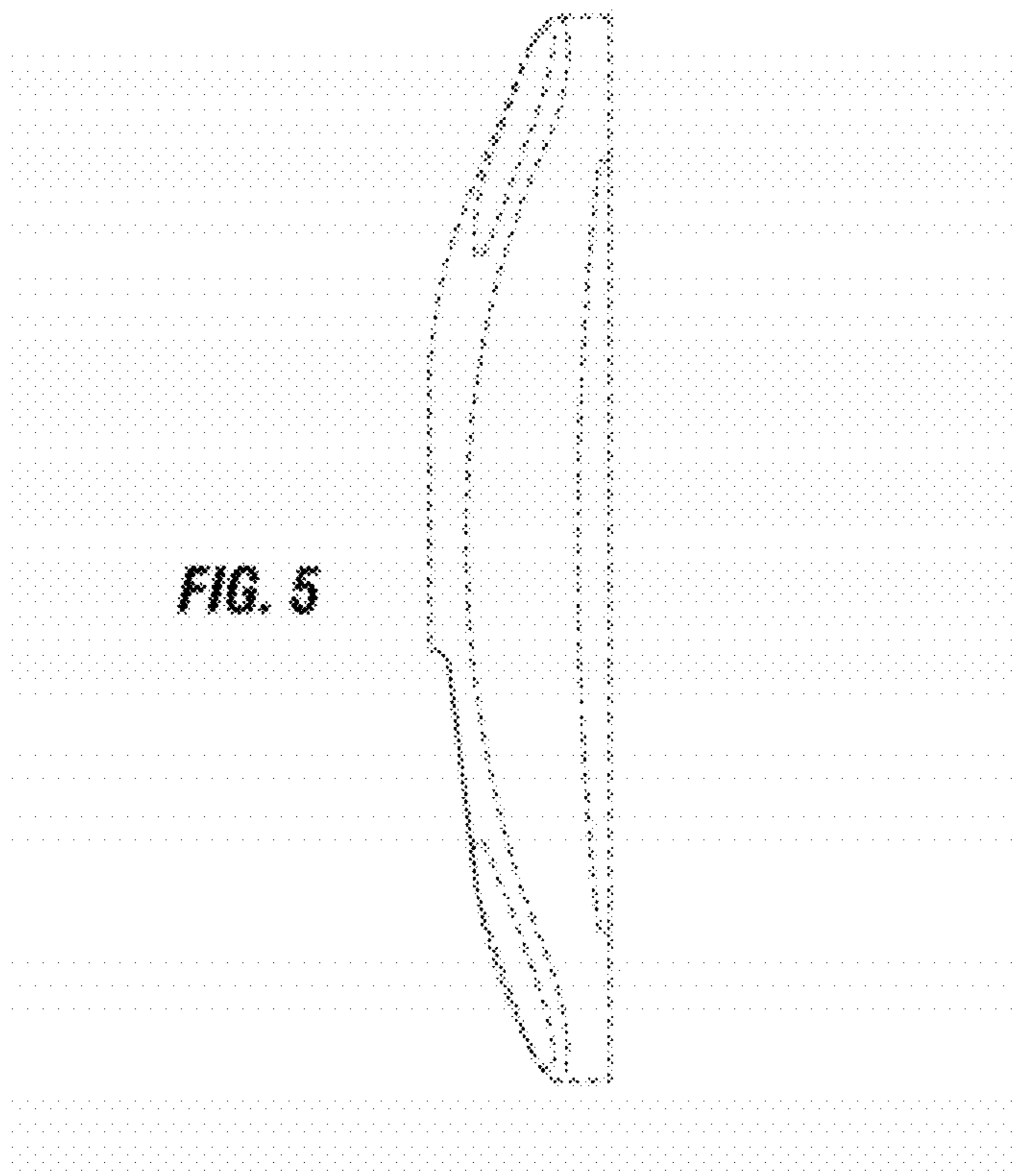
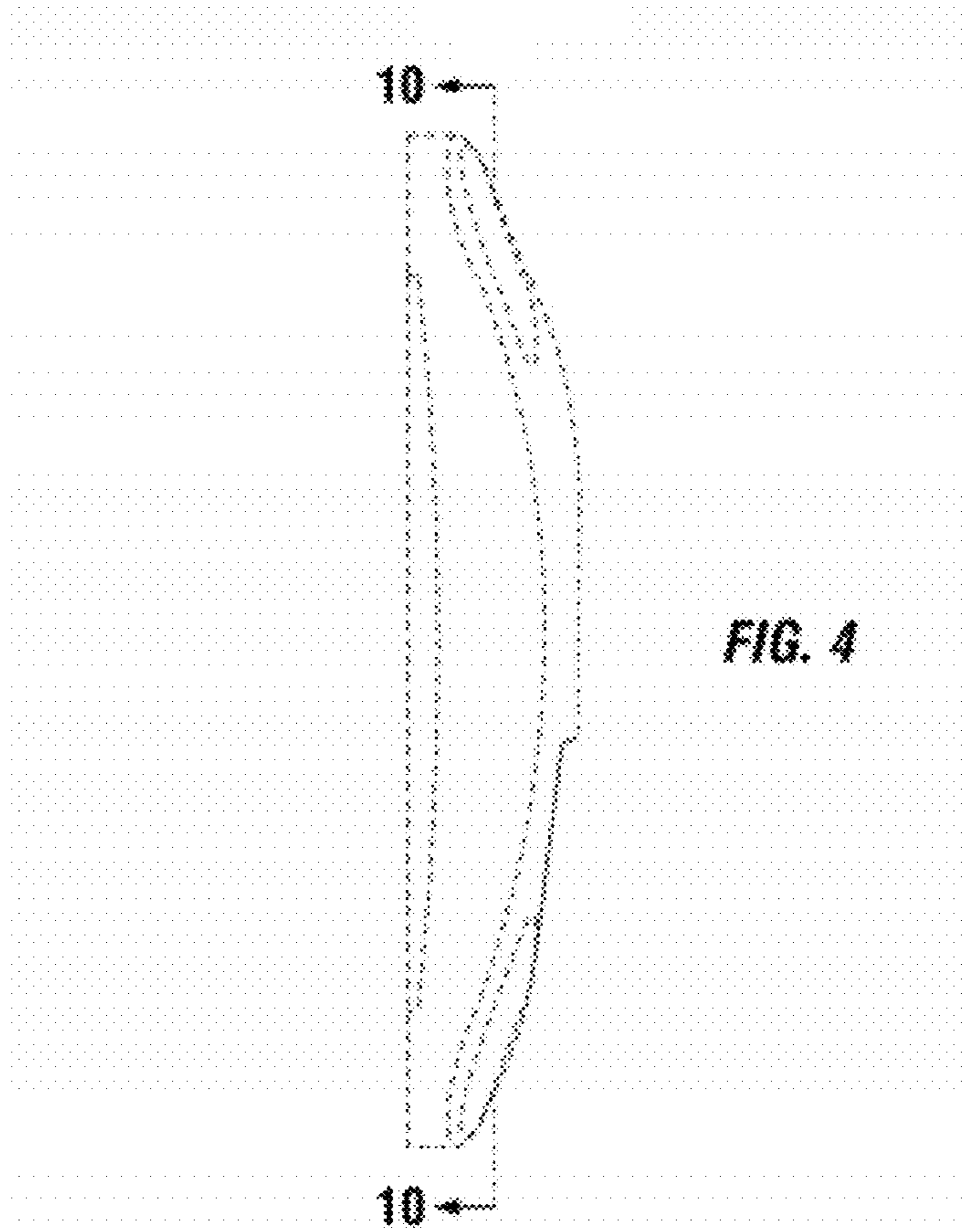


FIG. 3



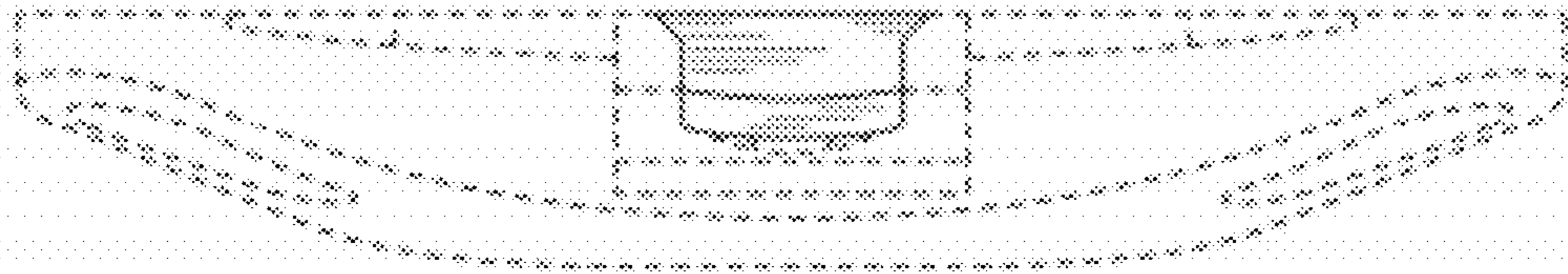


FIG. 6

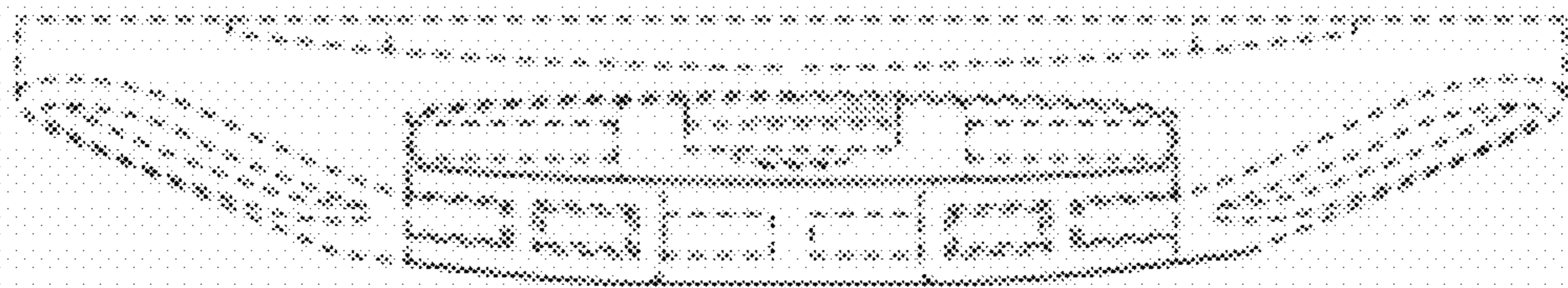


FIG. 7

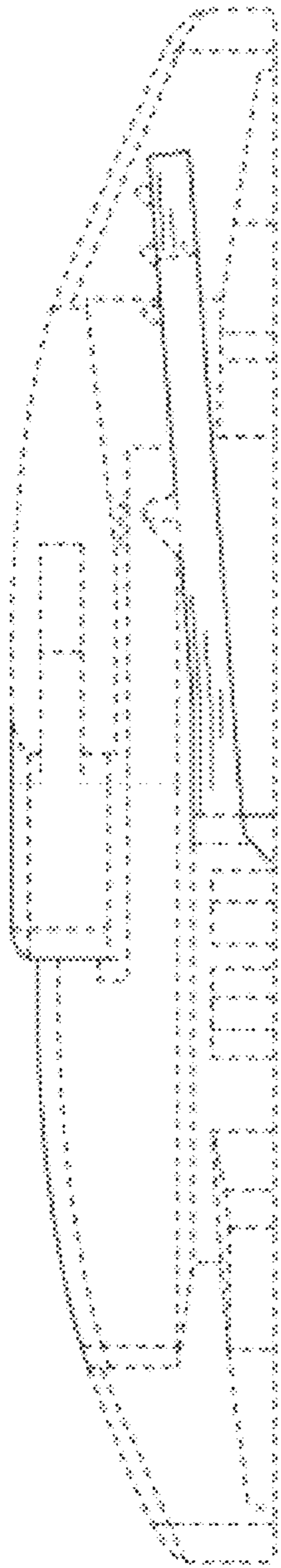


FIG. 8

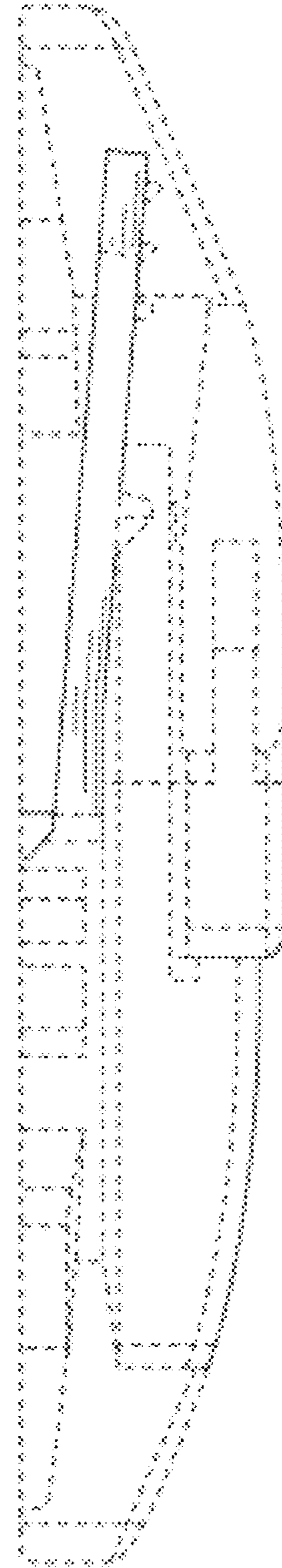


FIG. 9

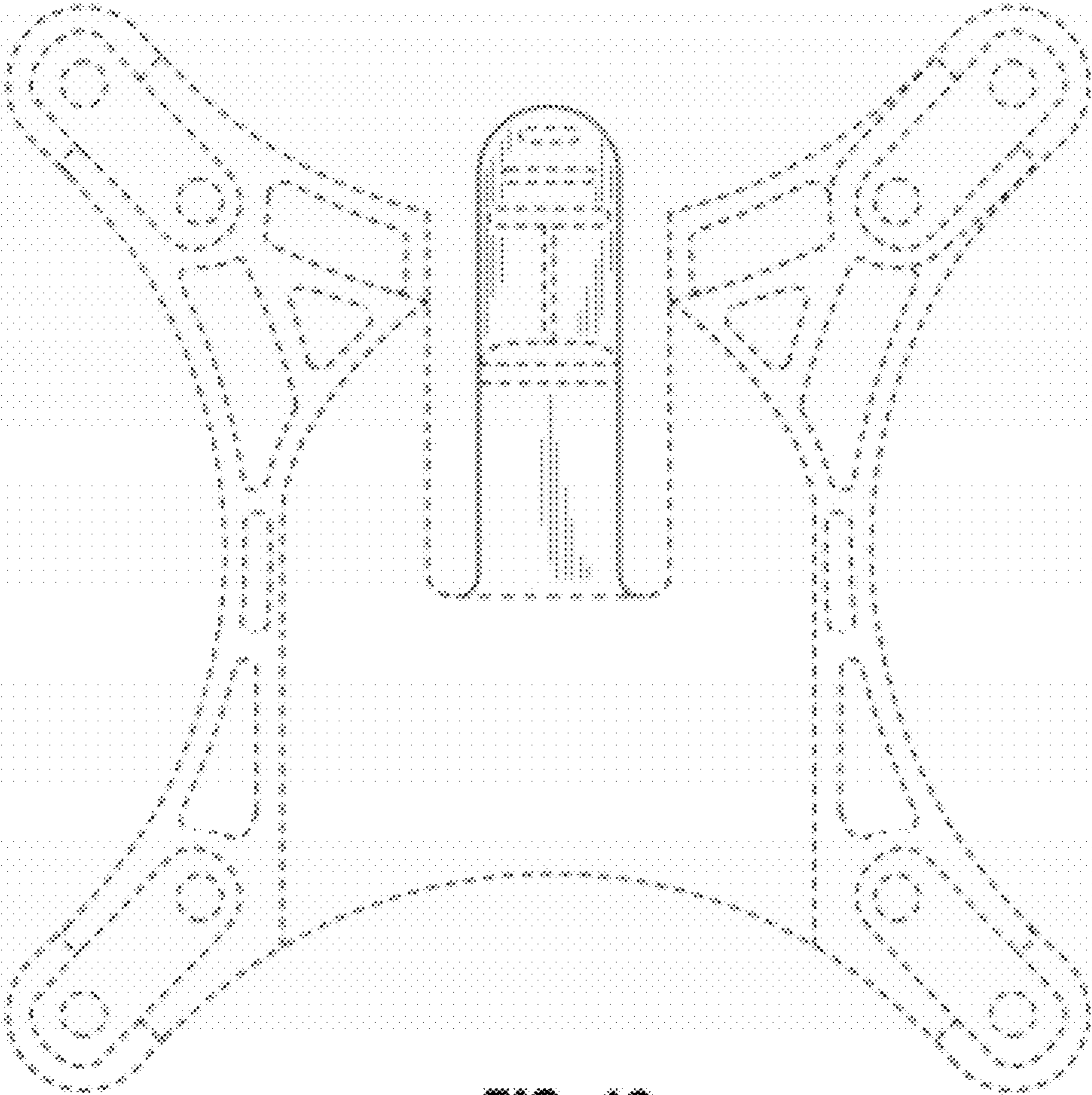


FIG. 10