



US00D674806S

(12) **United States Design Patent**  
**Lin et al.**

(10) **Patent No.:** **US D674,806 S**  
(45) **Date of Patent:** **\*\* Jan. 22, 2013**

(54) **FLAT PANEL DISPLAY**

(75) Inventors: **Min-Yuan Lin**, Taipei (TW);  
**Chang-Yuan Wu**, Taipei (TW);  
**Chien-Ming Su**, Taipei (TW);  
**Hsiang-Tien Wu**, Taipei (TW);  
**Yao-Kuang Su**, Taipei (TW)

(73) Assignee: **Compal Electronics Inc.**, Taipei (TW)

(\*\*) Term: **14 Years**

(21) Appl. No.: **29/396,131**

(22) Filed: **Jun. 27, 2011**

(51) **LOC (9) Cl.** ..... **14-02**

(52) **U.S. Cl.** ..... **D14/448**

(58) **Field of Classification Search** ..... D14/447,  
D14/448, 432, 433, 439, 440, 451, 452, 457,  
D14/400, 401, 239, 217, 238.1, 250, 251,  
D14/252, 253; D21/333, 324, 325, 328,  
D21/329, 330, 331, 332; D13/107, 108;  
D6/310, 311, 312, 406.3, 406.4, 406.5, 419,  
D6/566; D8/366, 373, 376, 380, 381; 248/917-924,  
248/441.1, 447, 451, 459, 460, 462, 463,  
248/121, 139, 151, 434, 170, 176.1, 177.1,  
248/281.11, 309.3, 346.5; 361/679.02, 679.05,  
361/679.06, 679.07, 679.09, 679.1, 679.21,  
361/679.22, 679.23, 679.25, 679.26, 679.27,  
361/679.3, 679.55, 679.56, 679.29, 679.28;  
379/455, 454; 312/223.3

See application file for complete search history.

(56) **References Cited**

**U.S. PATENT DOCUMENTS**

D413,109 S \* 8/1999 Klinker ..... D14/432  
6,045,098 A \* 4/2000 Timm ..... 248/118

D607,459 S \* 1/2010 Skillman et al. .... D14/439  
D634,327 S \* 3/2011 Connard ..... D14/448  
D641,020 S \* 7/2011 Shih et al. .... D14/374  
D641,756 S \* 7/2011 Hsieh et al. .... D14/440  
D652,397 S \* 1/2012 Lewis ..... D14/126  
D653,707 S \* 2/2012 Filip ..... D20/10  
8,243,428 B2 \* 8/2012 Fu ..... 361/679.21

\* cited by examiner

*Primary Examiner* — Cynthia Ramirez

(74) *Attorney, Agent, or Firm* — Jianq Chyun IP Office

(57) **CLAIM**

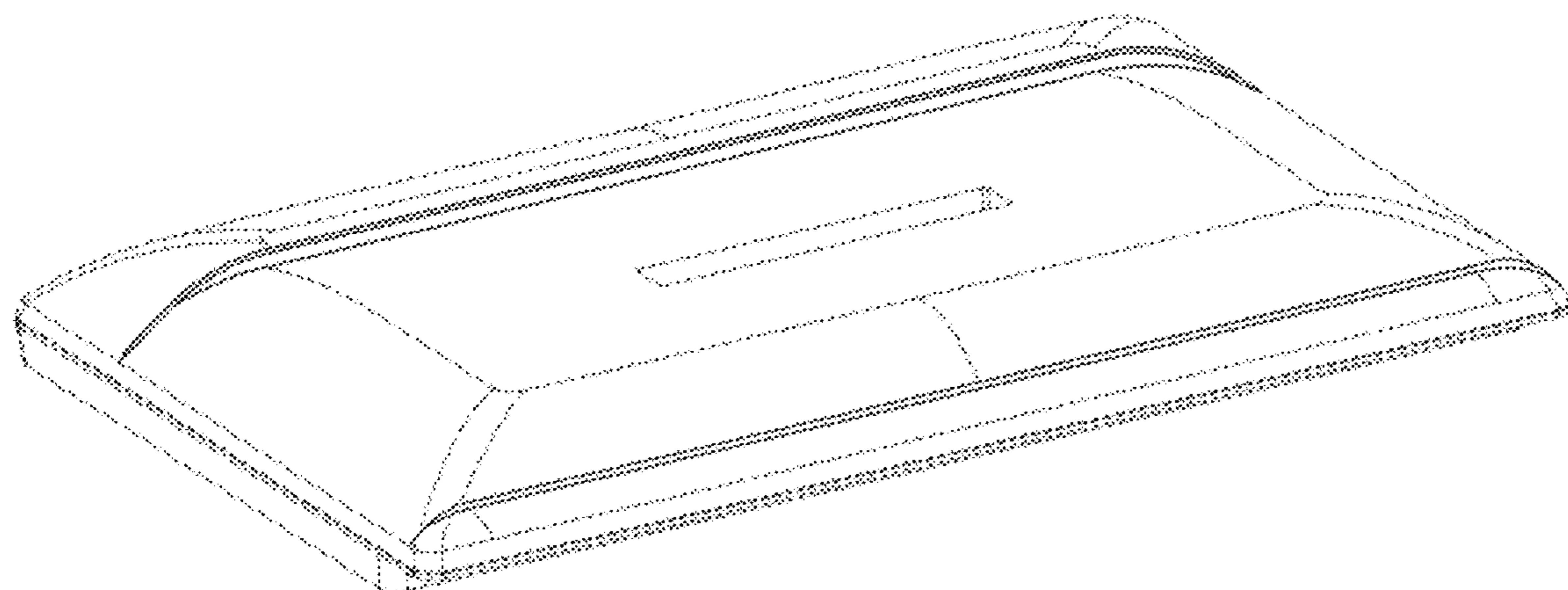
The ornamental design for a flat panel display, as shown and described.

**DESCRIPTION**

FIG. 1 is a perspective view of a flat panel display showing our new design;  
FIG. 2 is another perspective view thereof;  
FIG. 3 is a front view thereof;  
FIG. 4 is a rear view thereof;  
FIG. 5 is a left side view thereof, the right side view being a mirror image of the left side view;  
FIG. 6 is a top view thereof;  
FIG. 7 is a bottom view thereof;  
FIG. 8 is an enlarged view of an indicated portion of FIG. 2;  
and,  
FIG. 9 is an enlarged view of another indicated portion of FIG. 2.

The enlarged views show additional surface shading that is not shown in the other views for ease of illustration. The broken lines shown in the drawings illustrate unclaimed portions of the flat panel display and form no part of the claimed design.

**1 Claim, 8 Drawing Sheets**



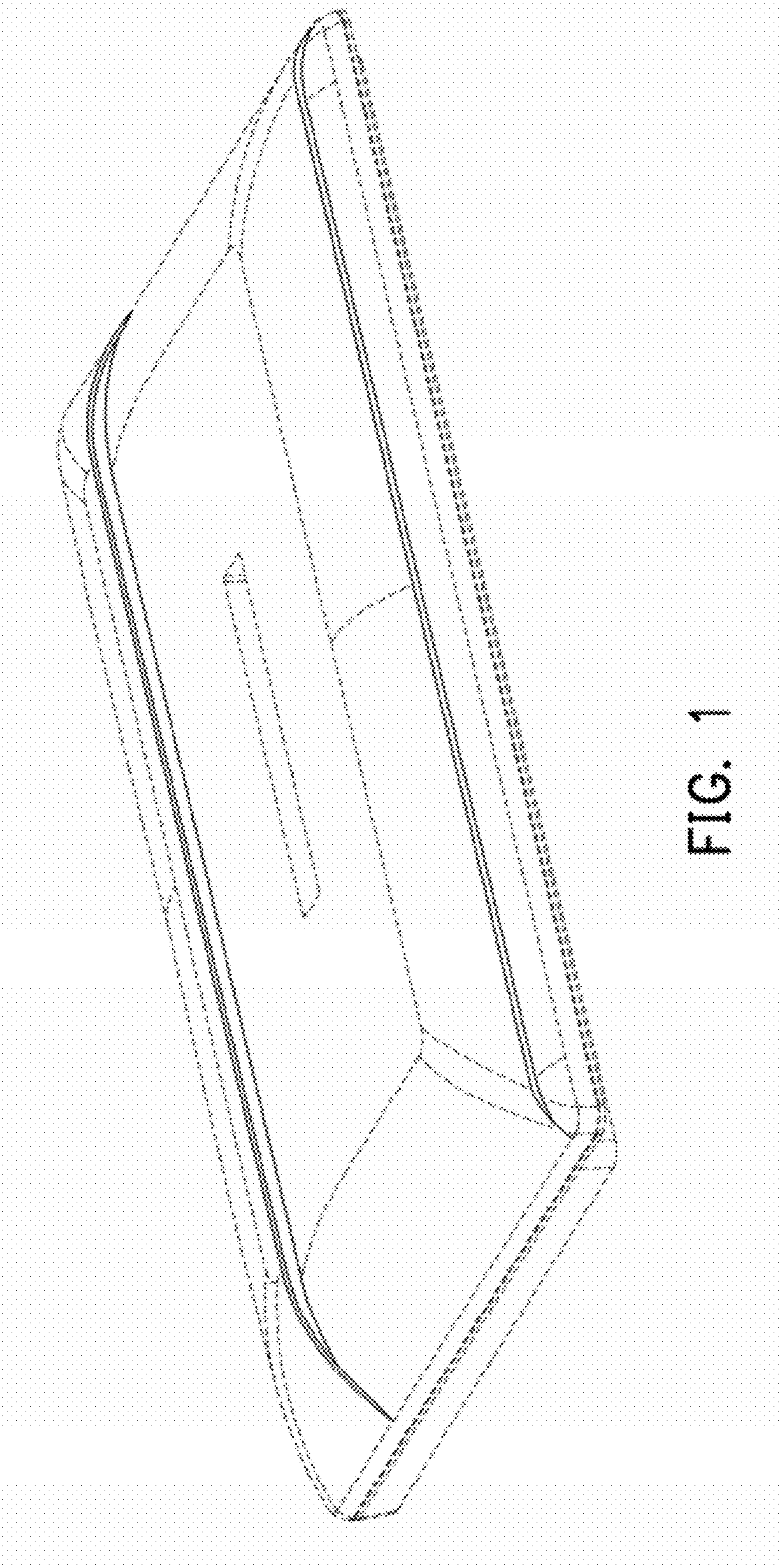


FIG. 1

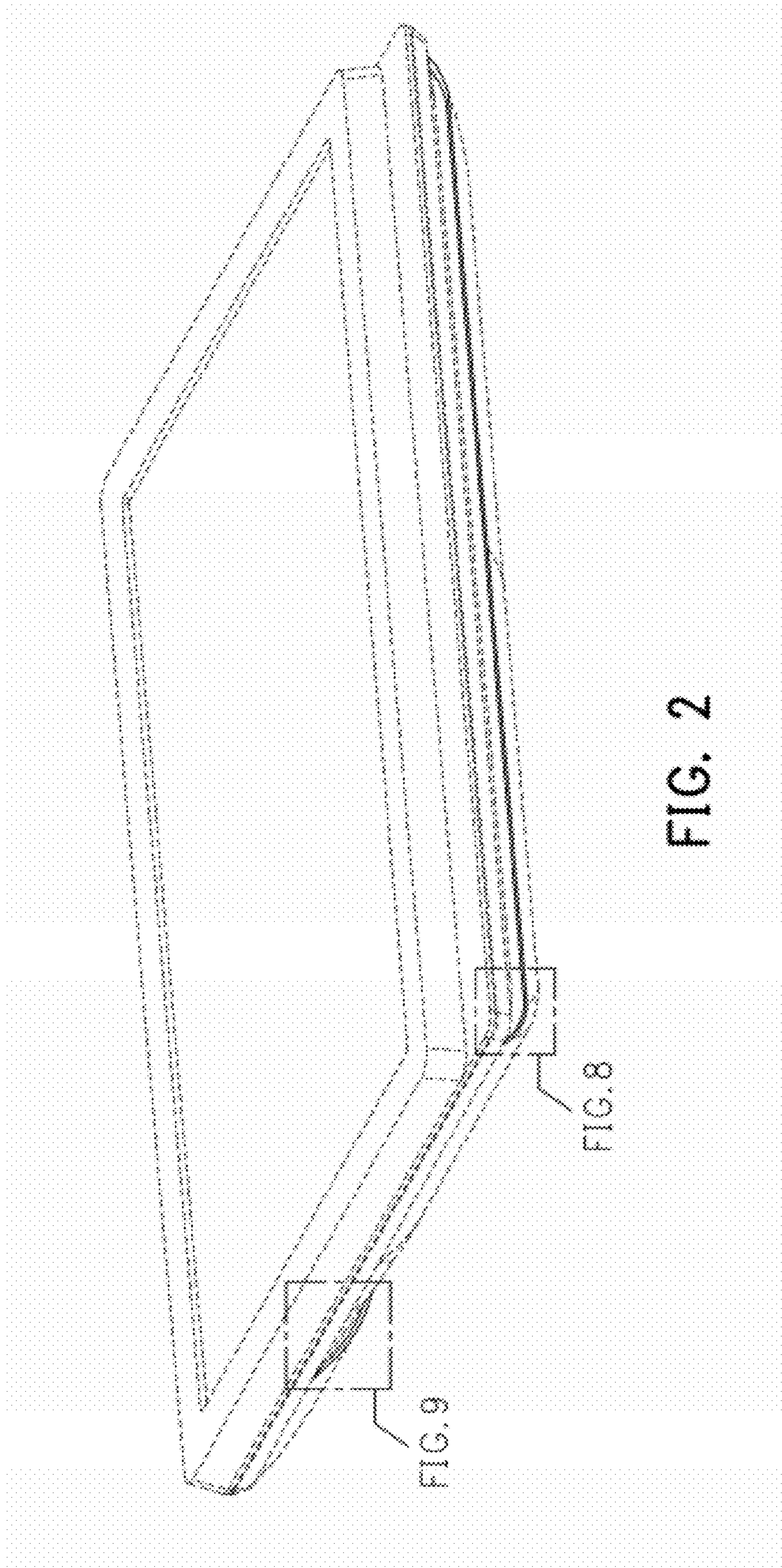


FIG. 2

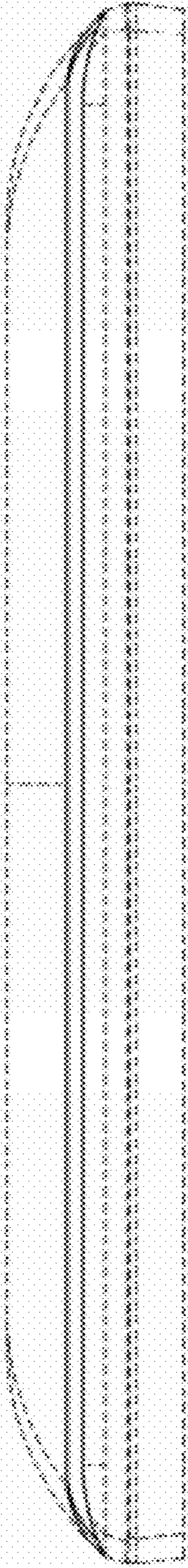


FIG. 3

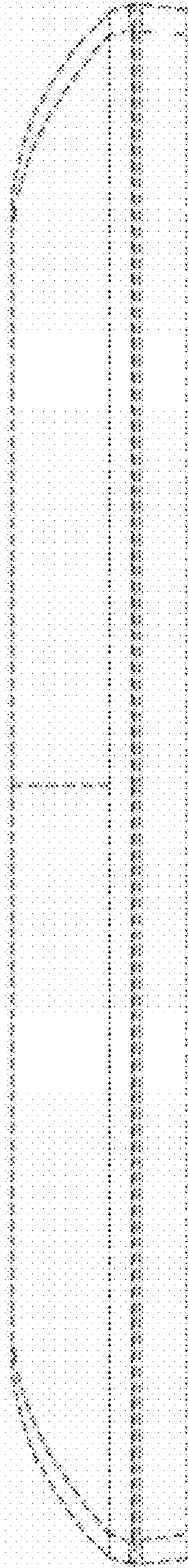


FIG. 4

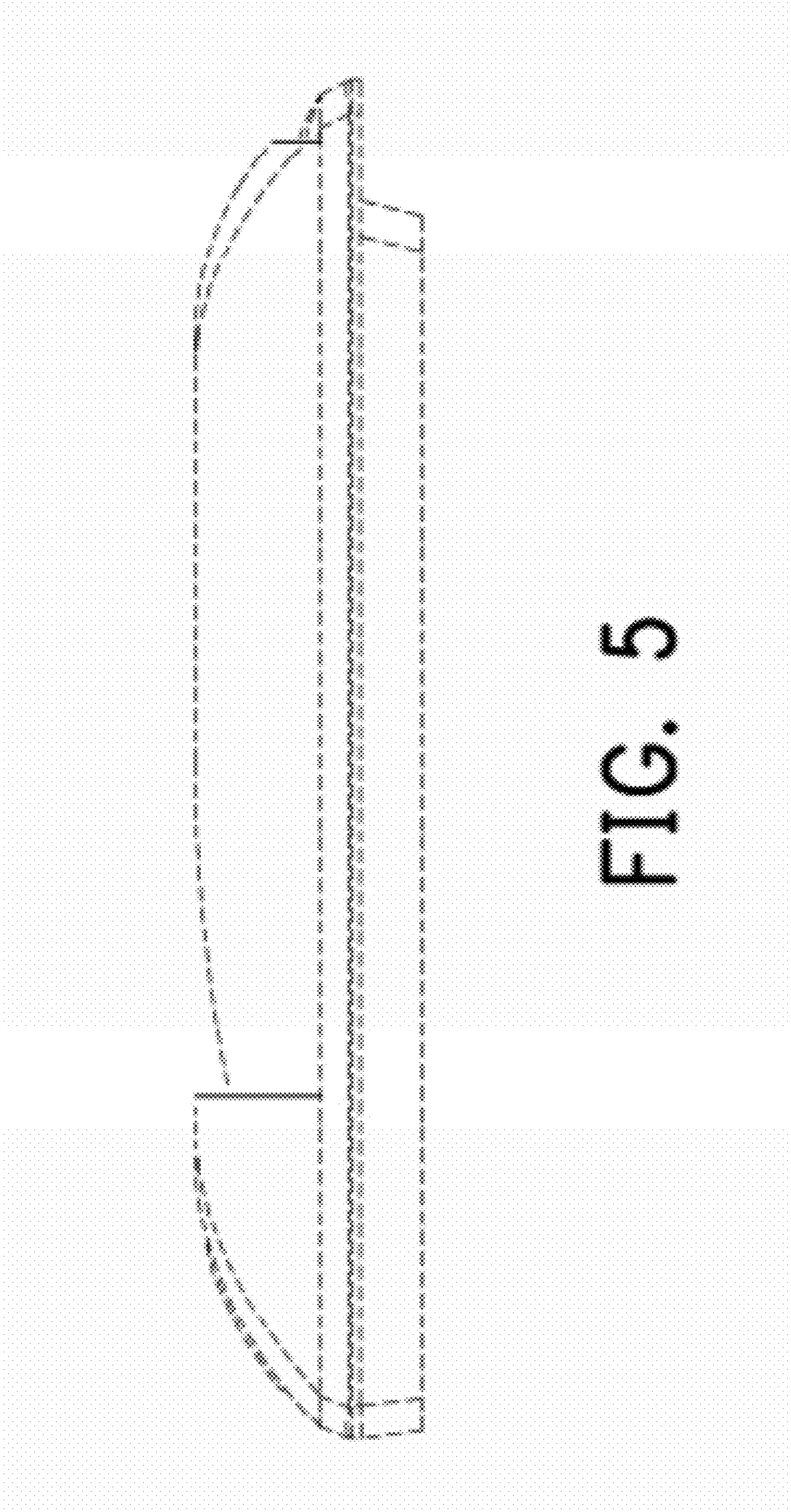


FIG. 5

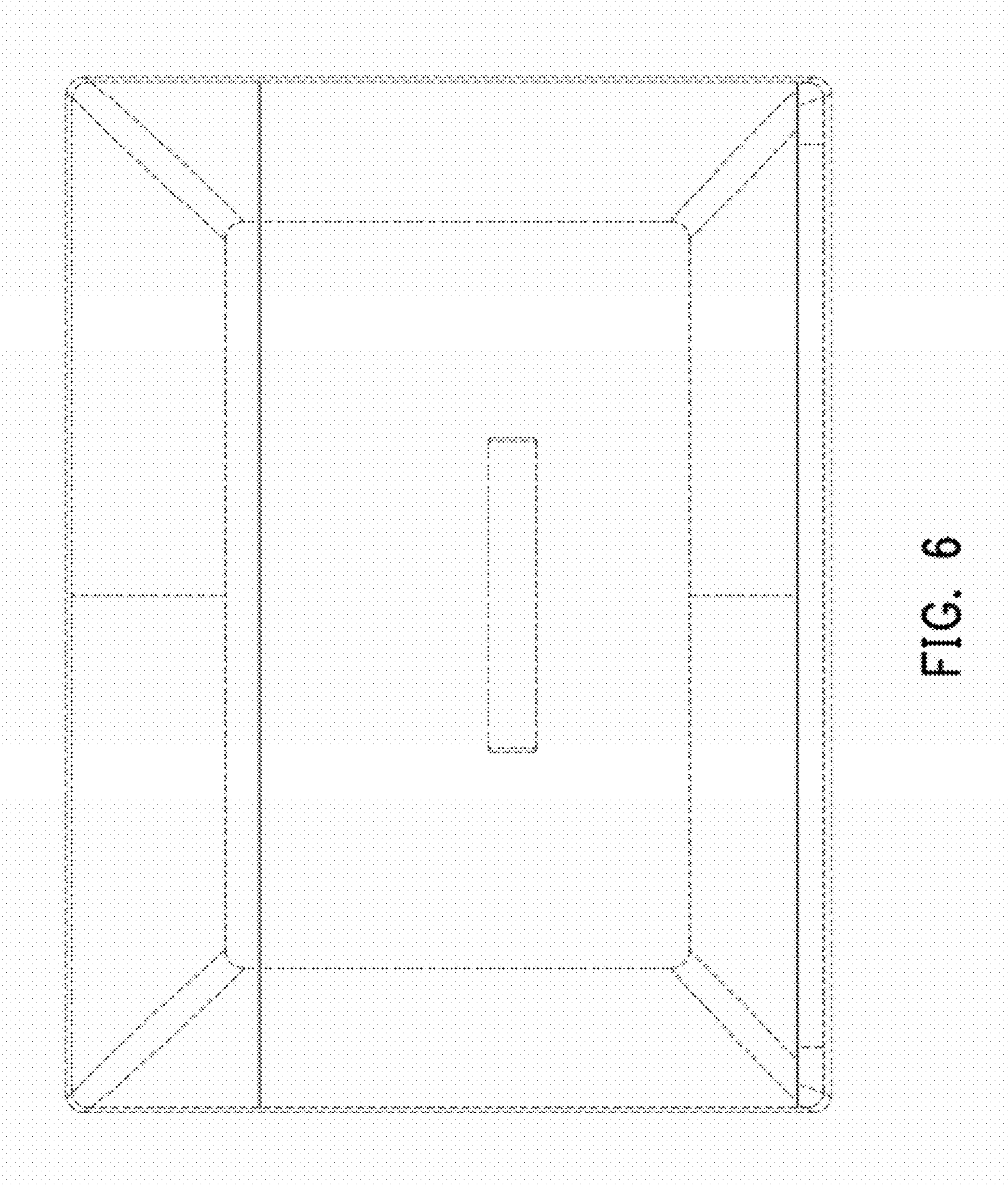


FIG. 6

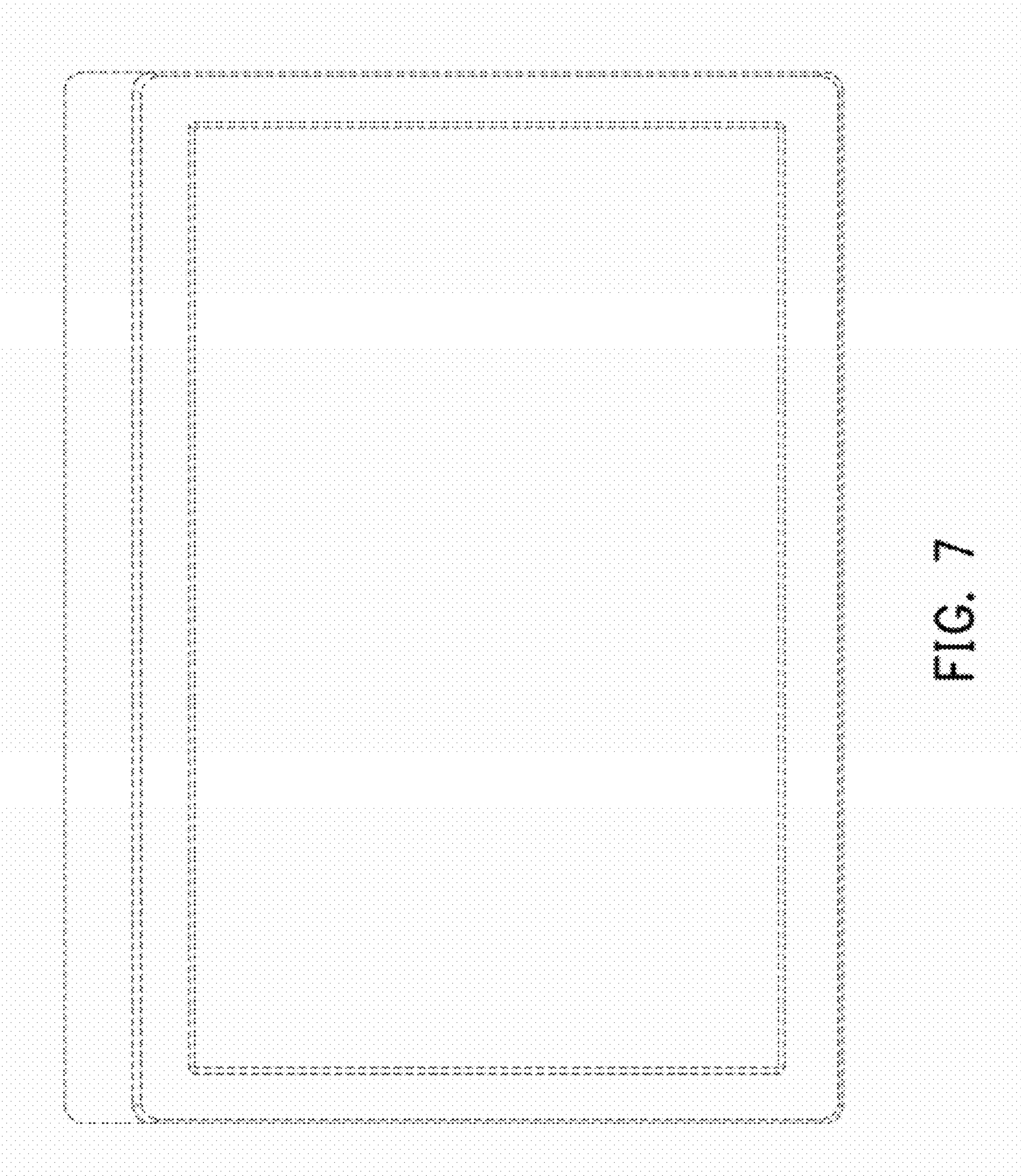


FIG. 7

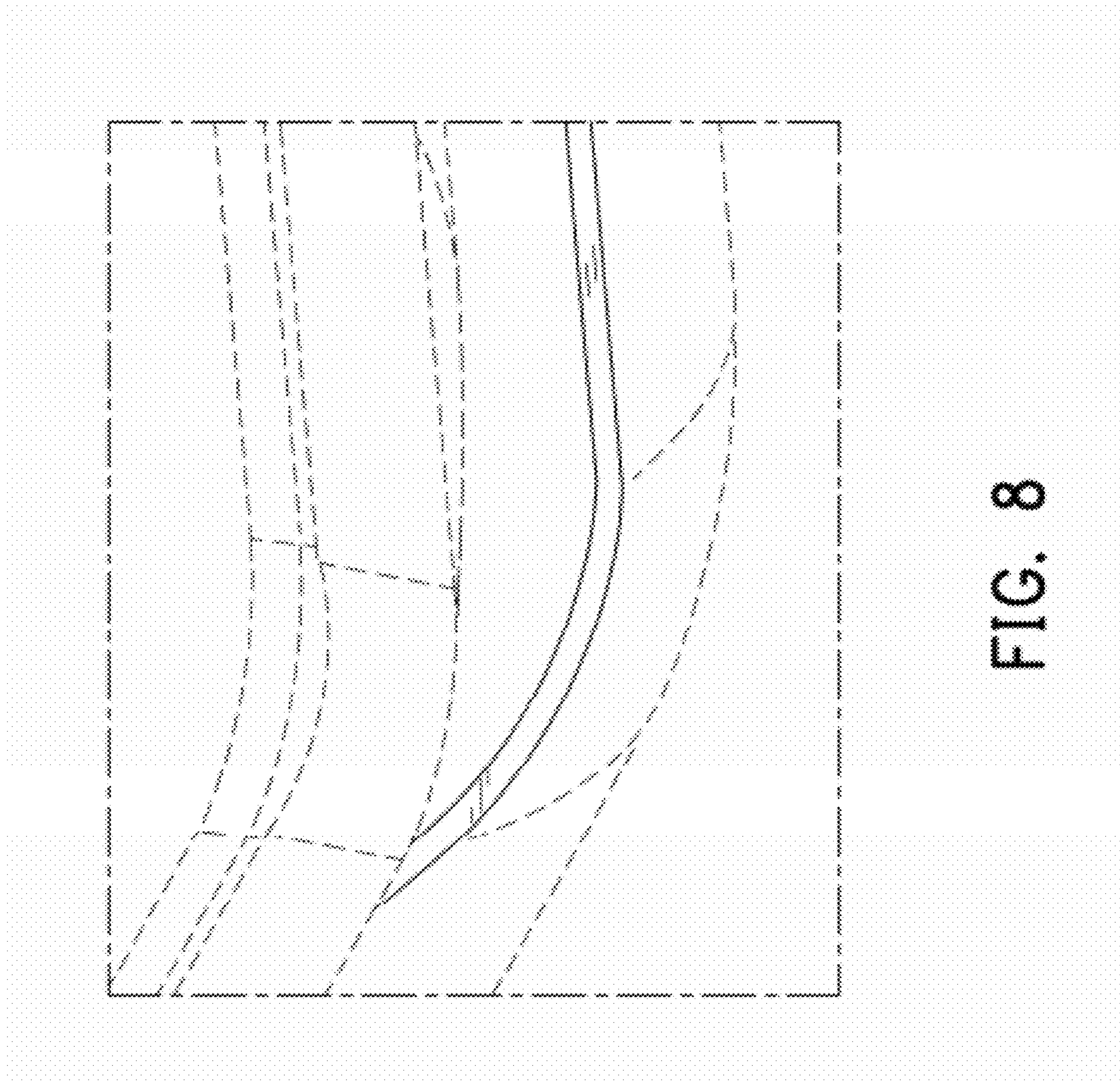


FIG. 8



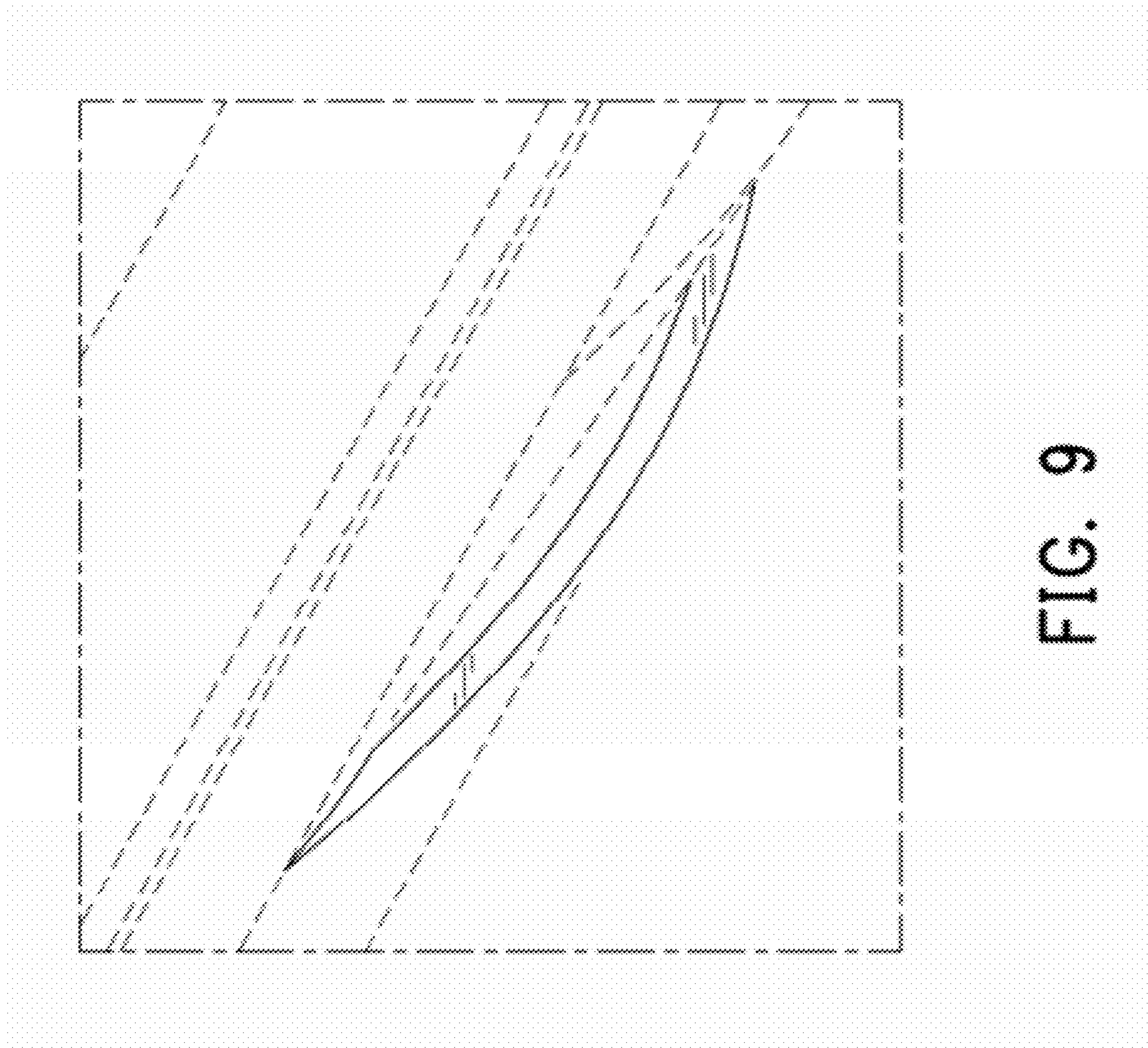


FIG. 9