



US00D674805S

(12) **United States Design Patent**
Vincent

(10) **Patent No.:** **US D674,805 S**

(45) **Date of Patent:** **** Jan. 22, 2013**

(54) **TABLET COMPUTER STAND**

(76) **Inventor:** **Allan R. Vincent, Redmond, WA (US)**

(**) **Term:** **14 Years**

(21) **Appl. No.:** **29/419,671**

(22) **Filed:** **Apr. 30, 2012**

(51) **LOC (9) Cl.** **08-07**

(52) **U.S. Cl.** **D14/447**

(58) **Field of Classification Search** D14/447,
D14/432, 434, 433, 439, 440, 448, 451, 452,
D14/457, 460, 217, 239, 238.1, 250, 251,
D14/253; D13/107, 108; D3/218; D6/406.1,
D6/406.3, 406.4, 406.5, 406.6, 419, 420,
D6/429; 361/679.02, 679.09, 679.19, 679.21,
361/679.22, 679.23, 679.26, 679.27, 679.3,
361/679.55, 679.56, 679.6; 248/917-924,
248/136, 150, 152, 153, 371, 166, 176.1,
248/176.3, 188.6, 676, 678, 441.1, 444.1,
248/447, 447.1, 447.2, 451, 454, 455, 456,
248/460, 463, 465.1

See application file for complete search history.

(56) **References Cited**

U.S. PATENT DOCUMENTS

D296,851	S	*	7/1988	Kelley	D6/420
5,088,676	A	*	2/1992	Orchard et al.	248/421
D415,635	S	*	10/1999	Bengtsson	D6/486
6,556,435	B1	*	4/2003	Helot et al.	361/679.45
D548,496	S	*	8/2007	Samtani et al.	D6/486
D589,964	S	*	4/2009	Heggland et al.	D14/434
D609,495	S	*	2/2010	Adams	D6/426
D624,922	S	*	10/2010	Hui et al.	D14/447

D652,045	S	*	1/2012	Hong	D14/447
8,262,047	B2	*	9/2012	Lindblad et al.	248/372.1
2010/0001149	A1	*	1/2010	Song et al.	248/176.1
2011/0147560	A1	*	6/2011	Camarillo	248/371

* cited by examiner

Primary Examiner — Angela J Lee

(74) *Attorney, Agent, or Firm* — Dean A. Craine

(57) **CLAIM**

The ornamental design for tablet computer stand, as shown and described.

DESCRIPTION

FIG. 1 is a perspective view of a tablet computer stand in an expanded configuration.

FIG. 2 is a top plan view of a tablet computer stand.

FIG. 3 is a front elevational view of the tablet computer stand.

FIG. 4 is a rear elevational view of the tablet computer stand.

FIG. 5 is a left side elevational view of the tablet computer stand.

FIG. 6 is a right side elevational view of the tablet computer stand.

FIG. 7 is a bottom plan view of the tablet computer stand.

FIG. 8 is a perspective of a tablet computer stand shown in a collapsed configuration.

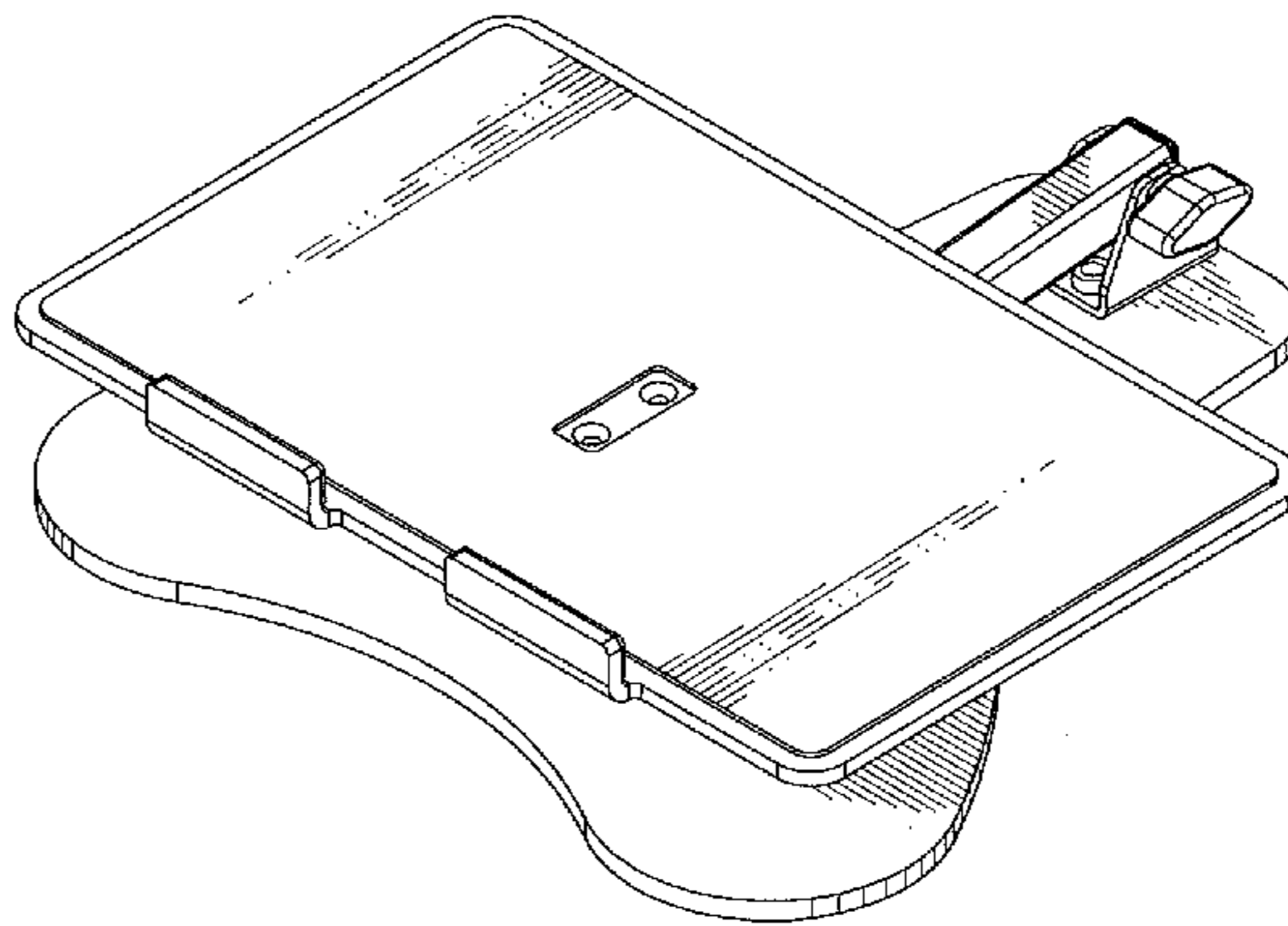
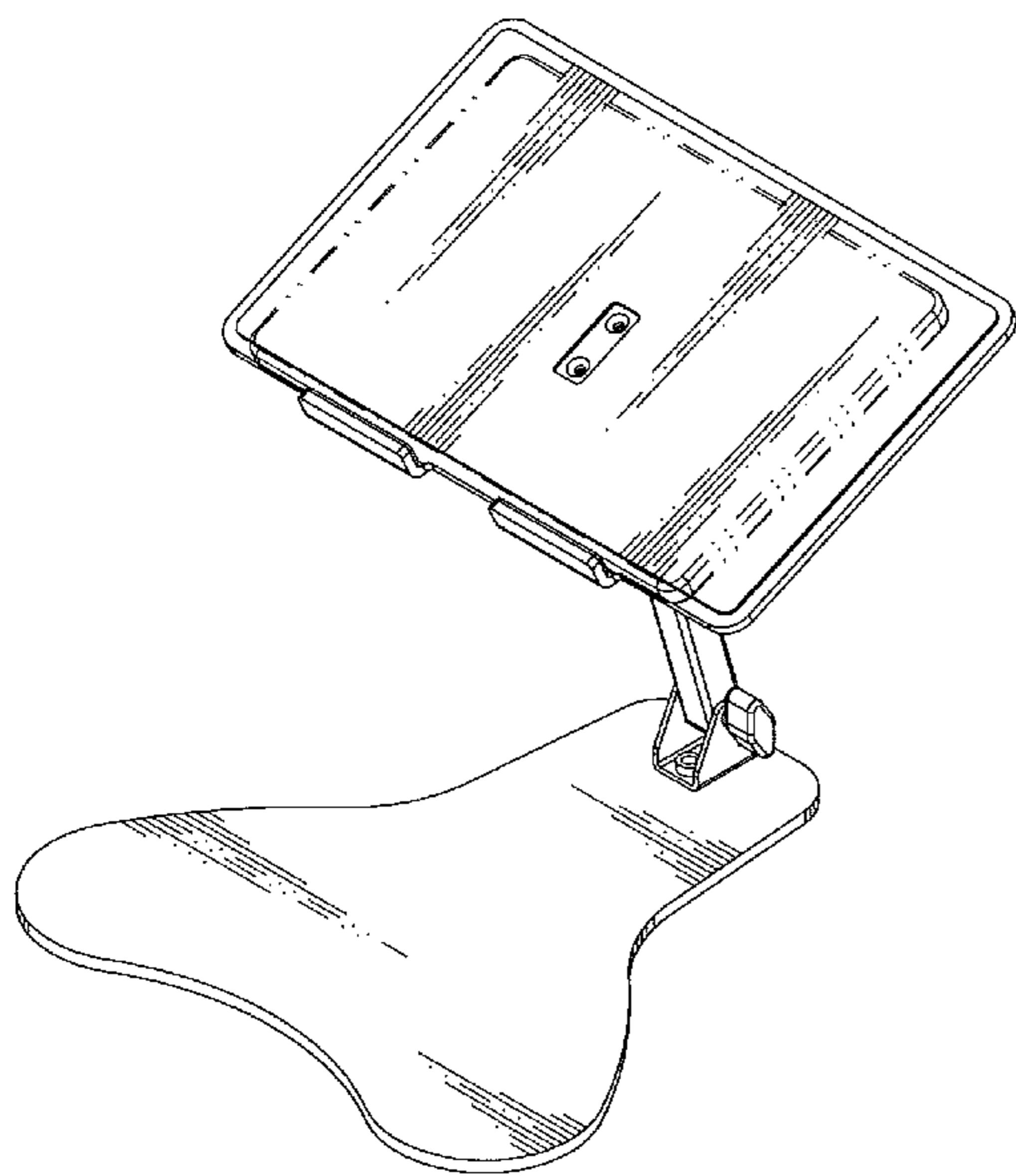
FIG. 9 is a top plan view of a tablet computer stand in a collapsed configuration.

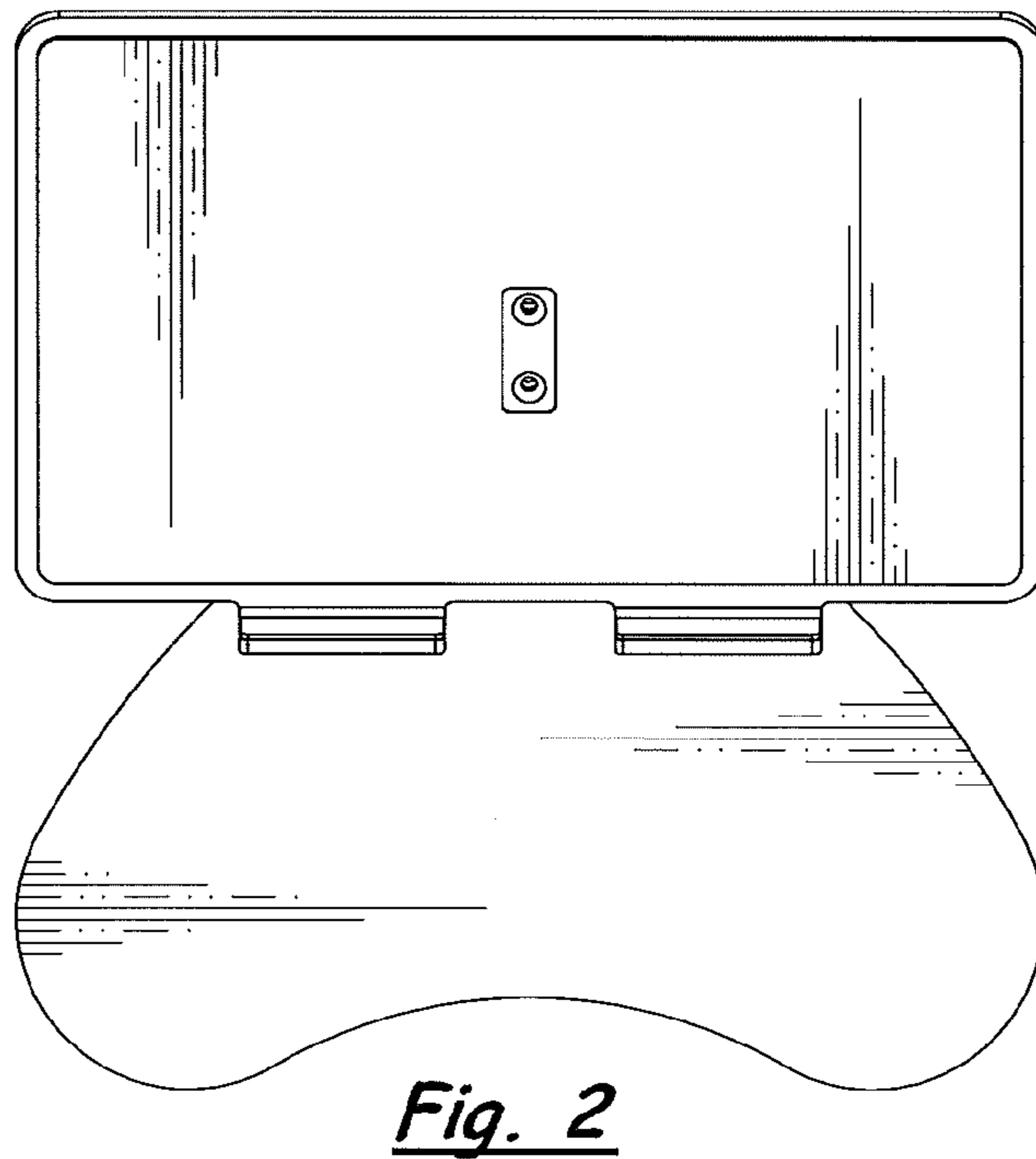
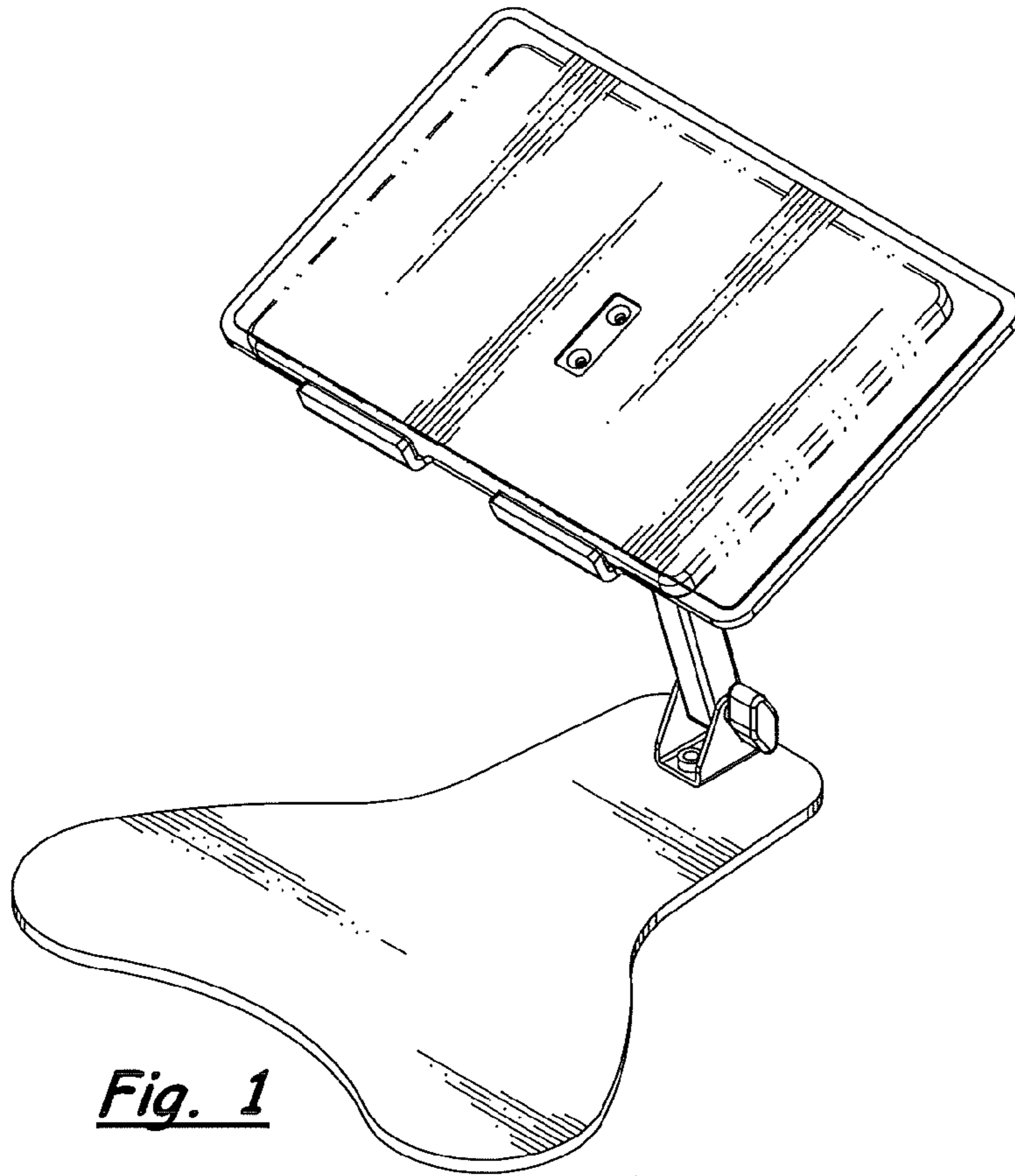
FIG. 10 is a front elevational view of the tablet computer stand in a collapsed configuration; and,

FIG. 11 is a left side elevational view of the tablet computer stand in a collapsed configuration.

The ornamental design which is claimed is shown in solid lines in the drawing. The short, dashed, broken lines in the drawing form no part of the claim.

1 Claim, 5 Drawing Sheets





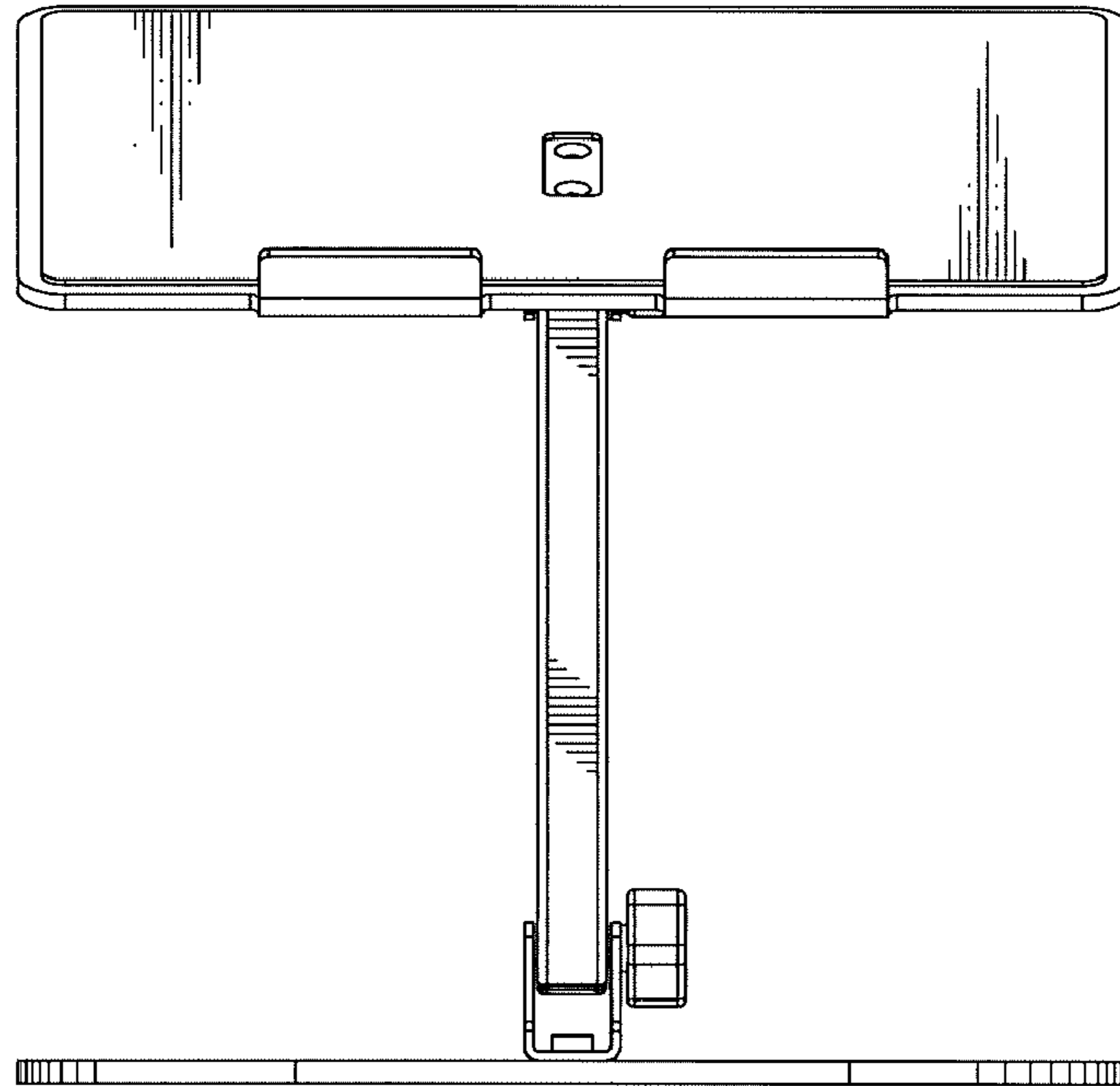


Fig. 3

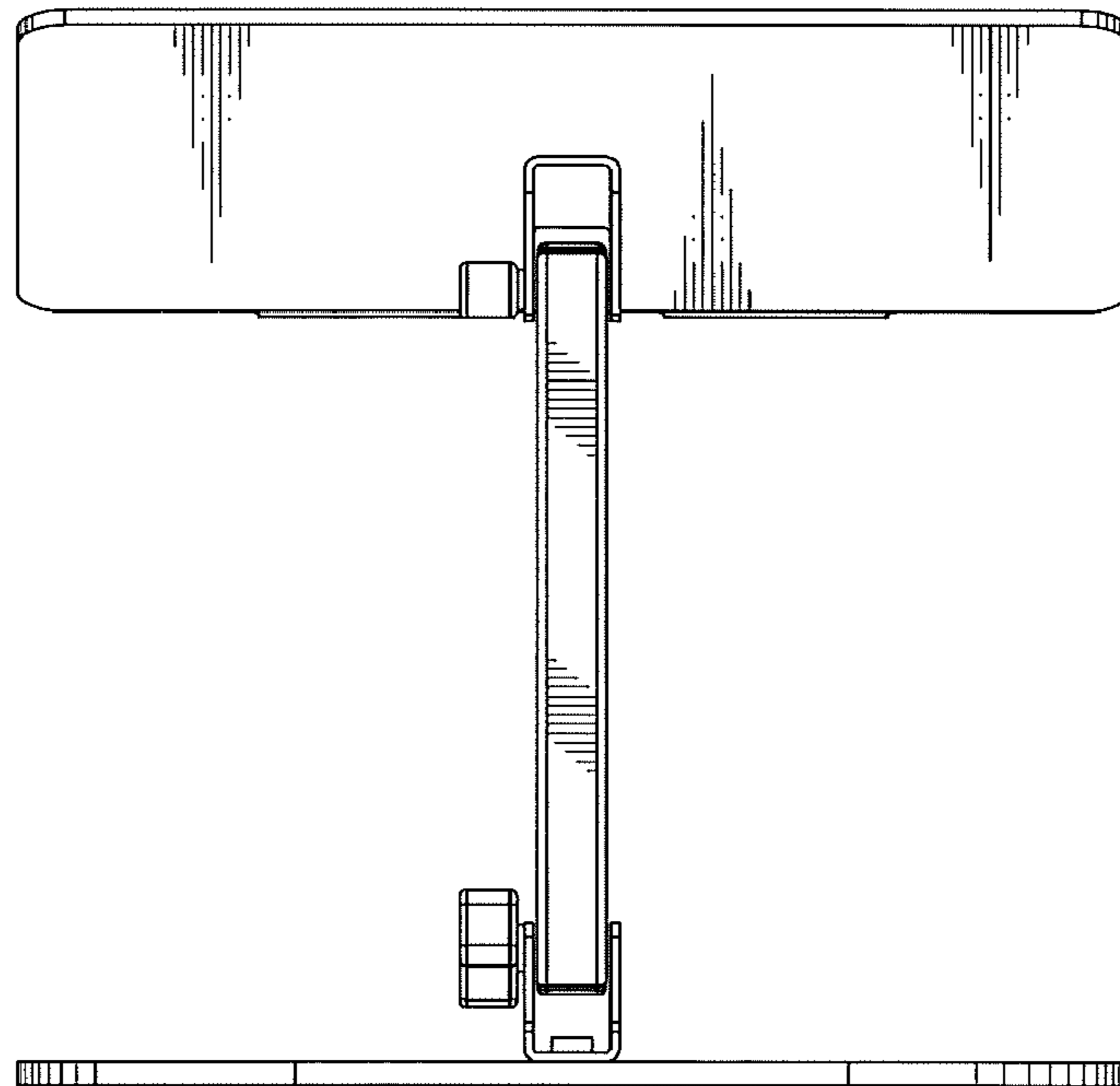


Fig. 4

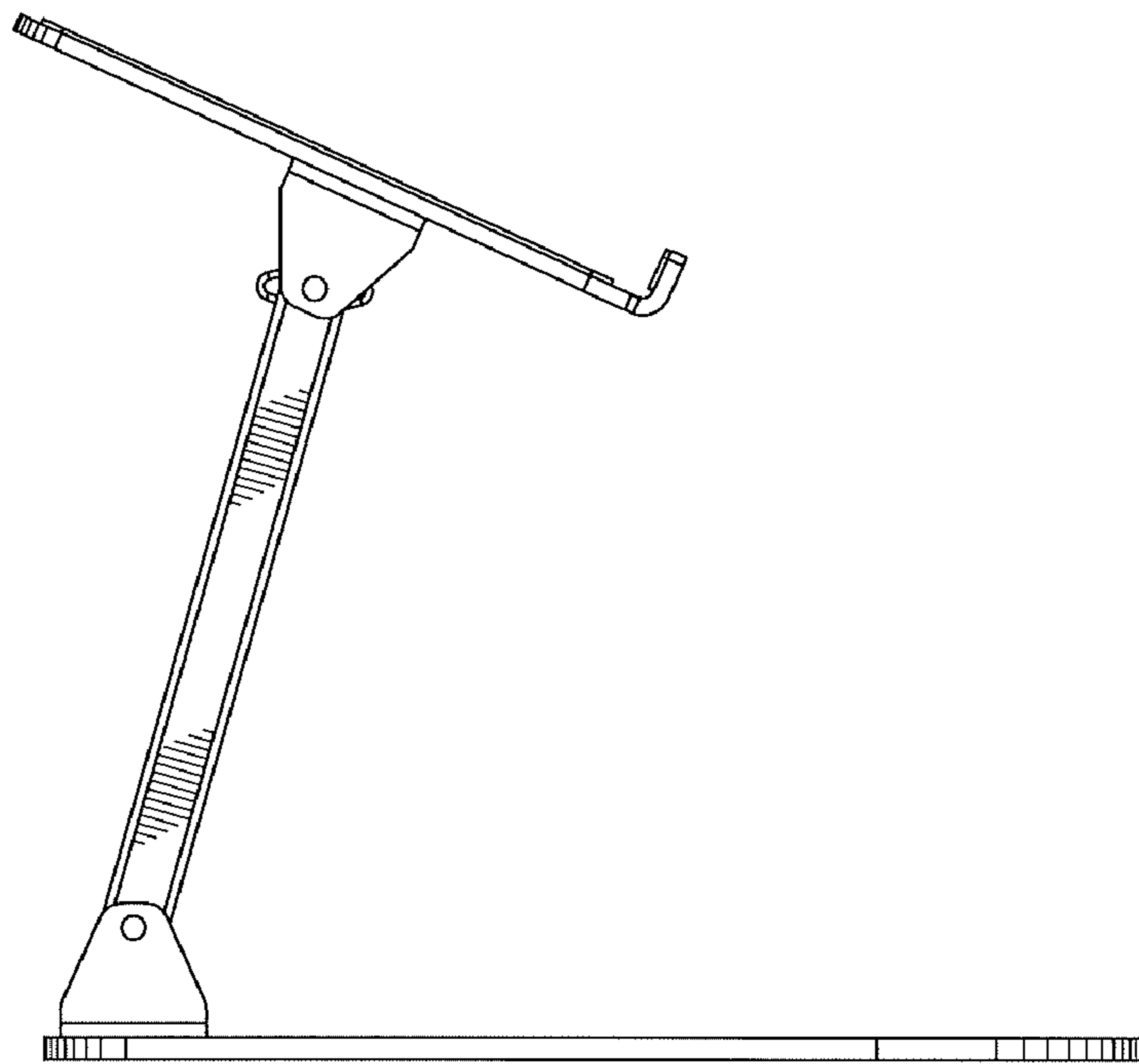


Fig. 5

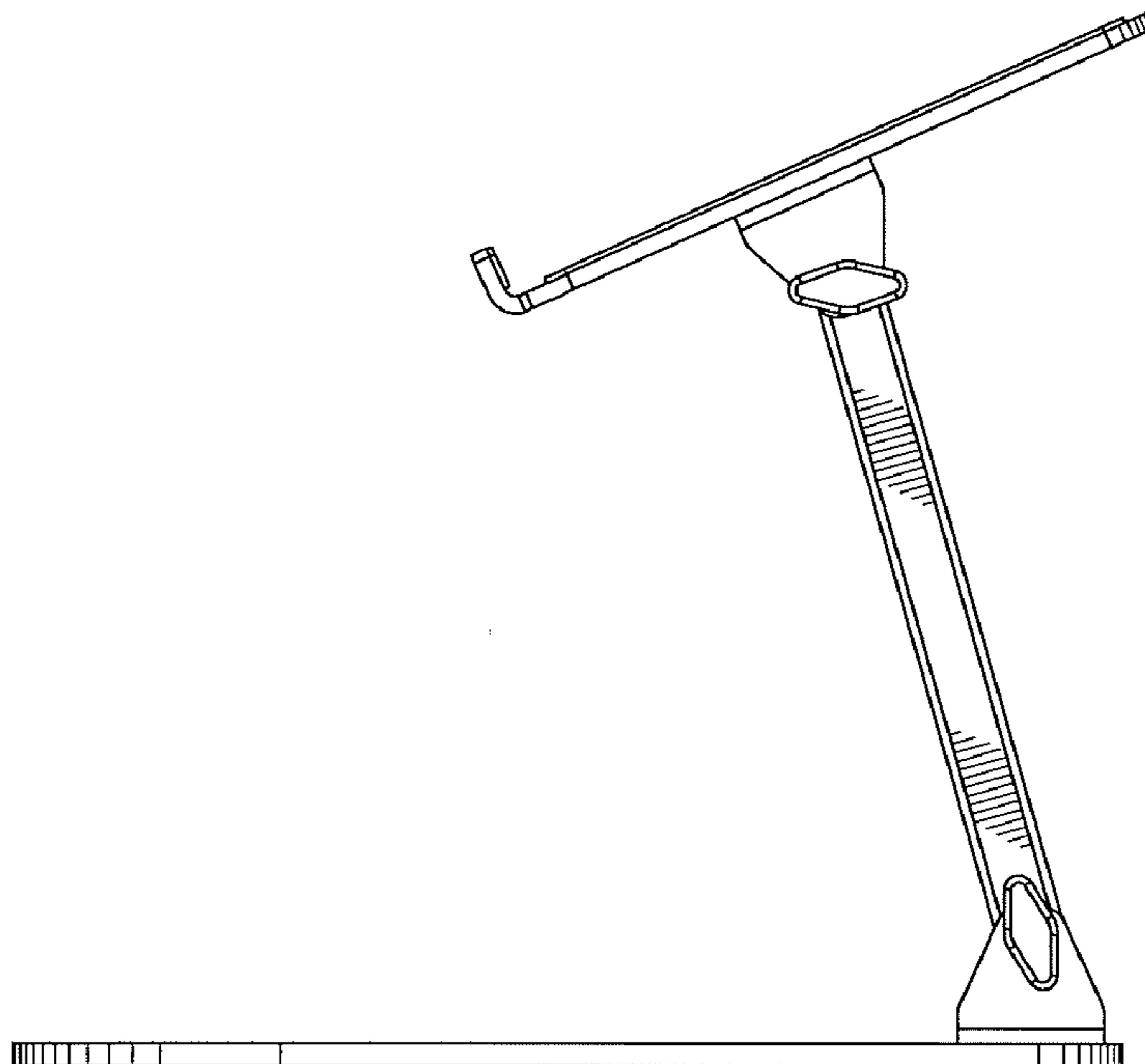


Fig. 6

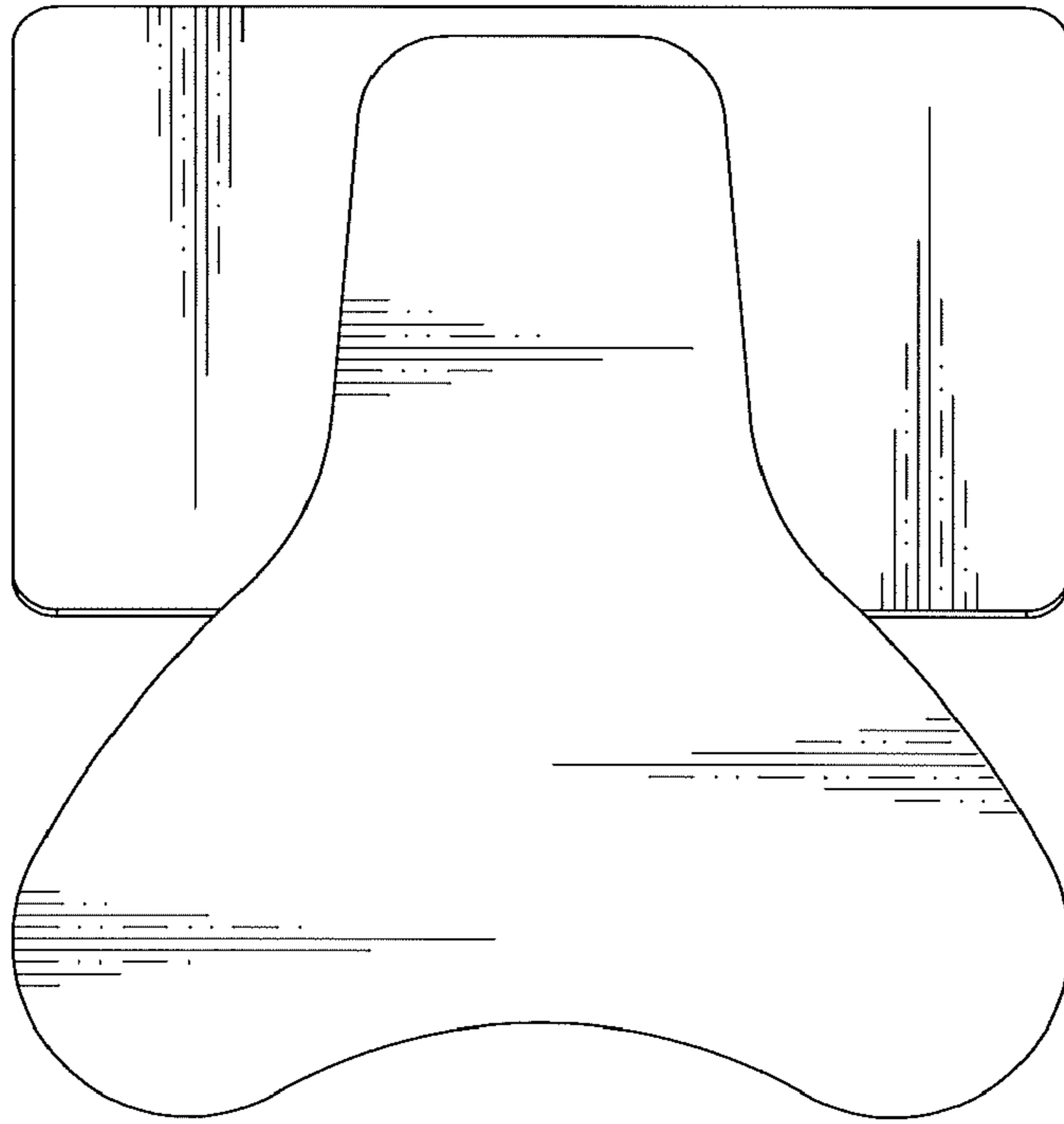


Fig. 7

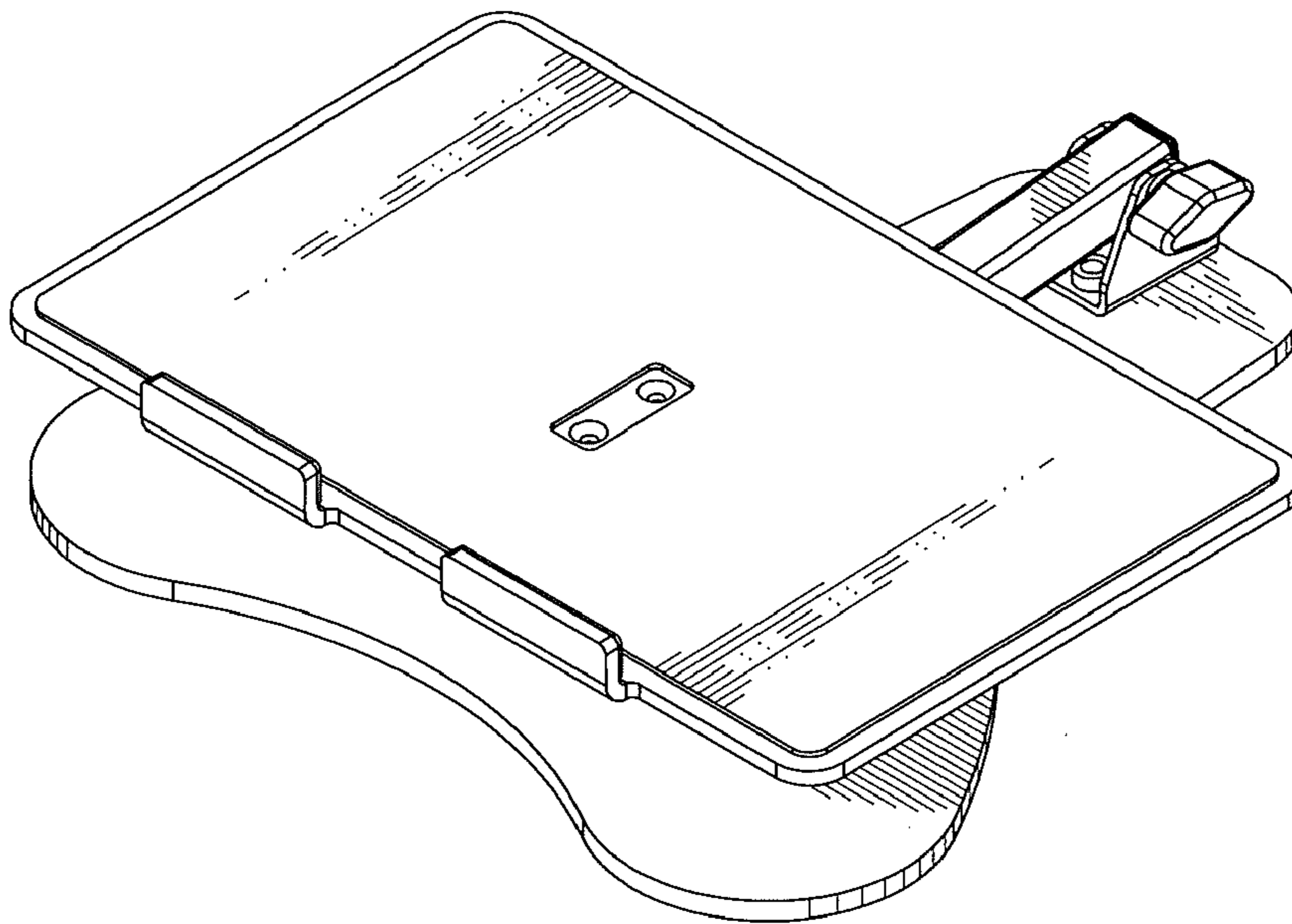


Fig. 8

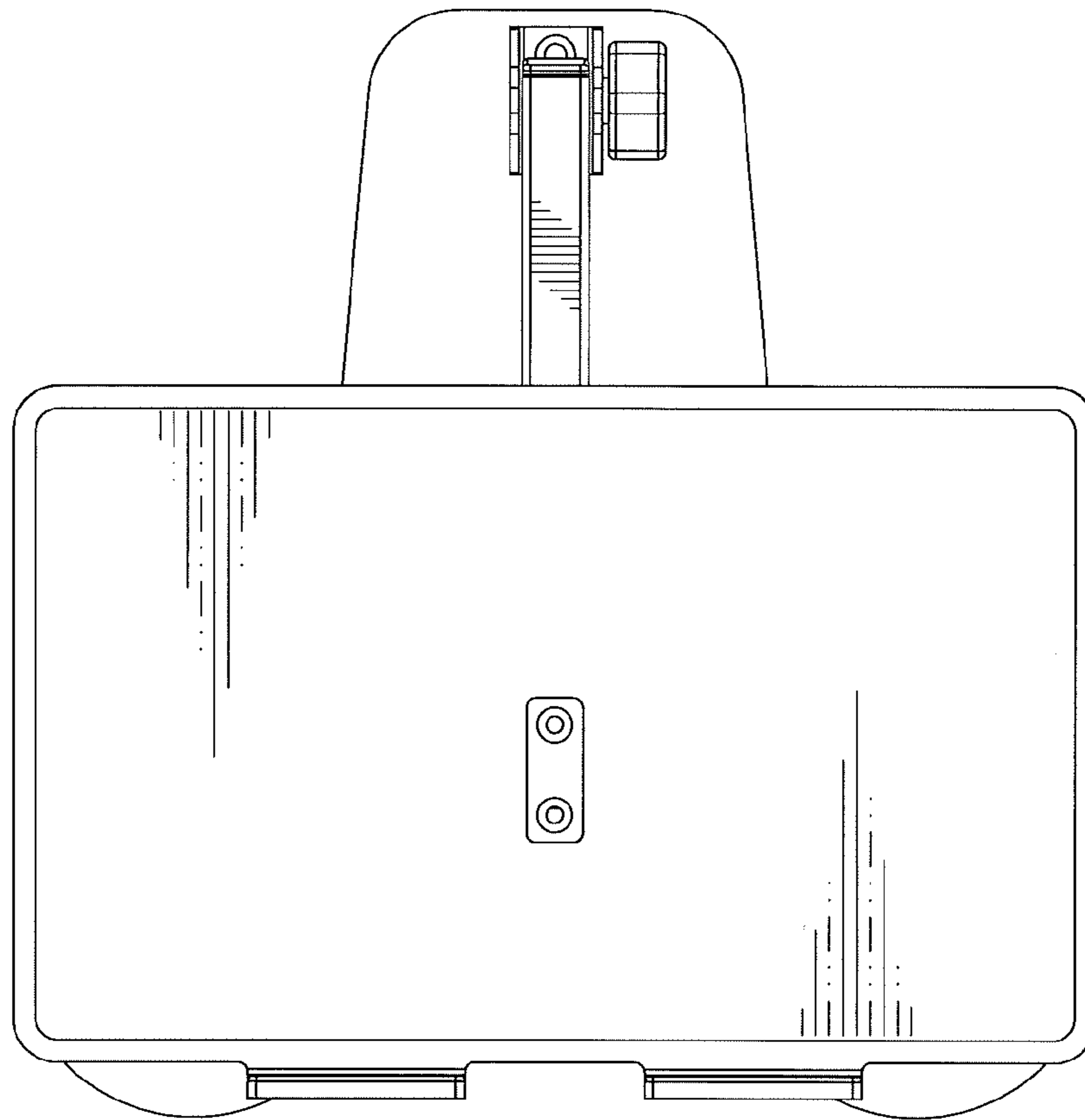


Fig. 9

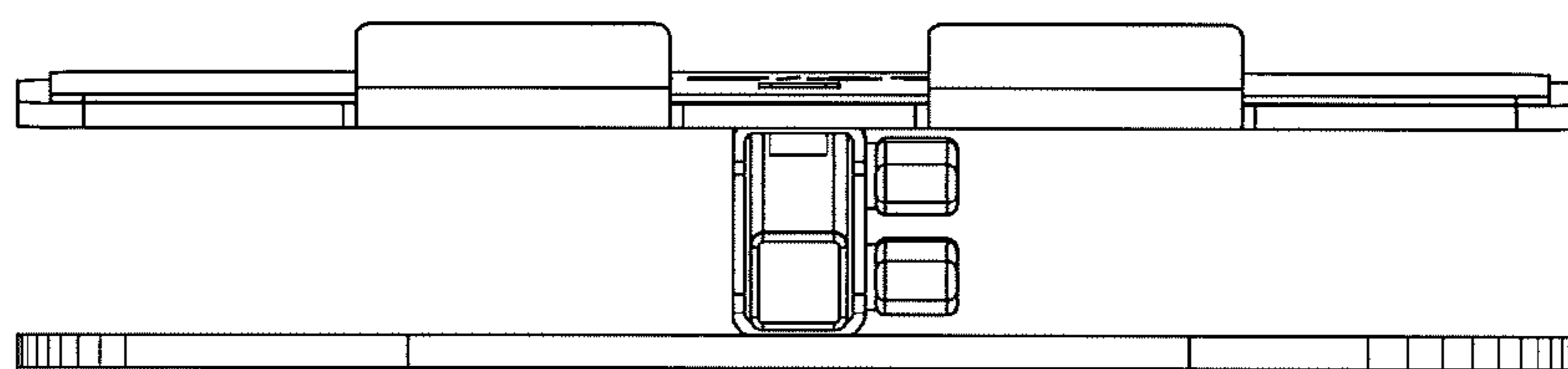


Fig. 10

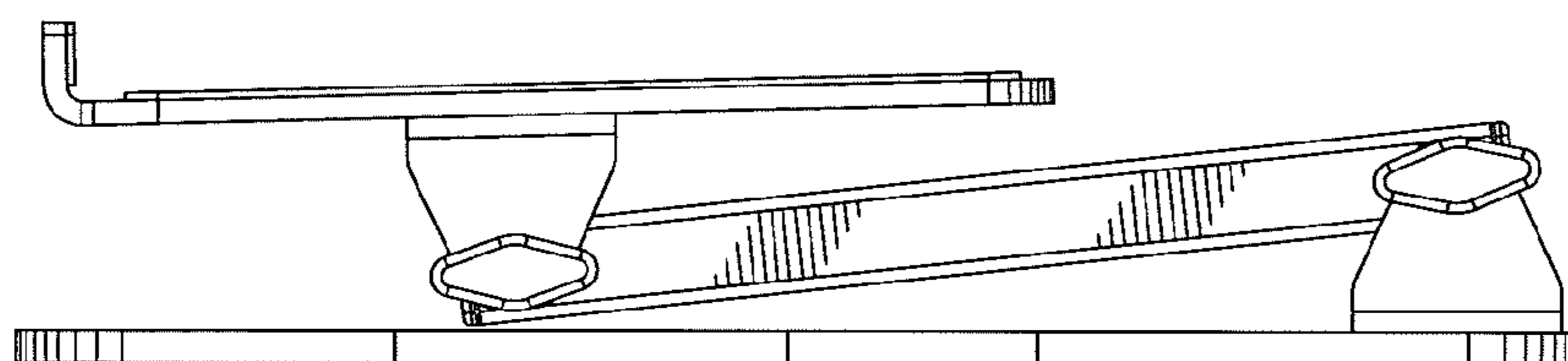


Fig. 11