



US00D674802S

(12) **United States Design Patent**
Lu et al.

(10) **Patent No.:** **US D674,802 S**
(45) **Date of Patent:** **** Jan. 22, 2013**

(54) **MULTIFUNCTIONAL CASE FOR PORTABLE ELECTRONIC DEVICE**

(75) Inventors: **Li-Houng Lu**, New Taipei (TW);
Hsin-Yung Yang, New Taipei (TW);
Ching-Min Lin, New Taipei (TW);
Tzu-Cheng Yu, Santa Clara, CA (US)

(73) Assignee: **Chi Mei Communication Systems, Inc.**, New Taipei (TW)

(**) Term: **14 Years**

(21) Appl. No.: **29/416,305**

(22) Filed: **Mar. 20, 2012**

Related U.S. Application Data

(63) Continuation of application No. 29/386,290, filed on Feb. 28, 2011.

(51) **LOC (9) Cl.** **14-02**

(52) **U.S. Cl.** **D14/440**

(58) **Field of Classification Search** D14/250,
D14/251, 253, 240, 217, 496, 440, 203.3,
D14/203.4, 203.5, 203.8, 432, 439, 300;
D3/218, 215, 201; 220/4.02; 248/309.1;
361/679.56; 379/426, 433.11, 455; 455/575.1,
455/575.8; 190/100; 206/305, 320

See application file for complete search history.

(56) **References Cited**

U.S. PATENT DOCUMENTS

D286,773 S * 11/1986 Pauser D14/299
D306,583 S * 3/1990 Krolopp et al. D14/137

5,375,076 A * 12/1994 Goodrich et al. 361/679.17
5,436,792 A * 7/1995 Leman et al. 361/679.44
8,054,614 B2 * 11/2011 Albertini et al. 361/679.01
D662,100 S * 6/2012 Van Den Nieuwenhuizen
et al. D14/440
8,201,687 B2 * 6/2012 Zelif et al. 206/320
8,235,208 B2 * 8/2012 Sirichai et al. 206/320
2010/0294909 A1 * 11/2010 Hauser et al. 248/456

* cited by examiner

Primary Examiner — Cynthia Underwood

(74) *Attorney, Agent, or Firm* — Altis Law Group, Inc.

(57) **CLAIM**

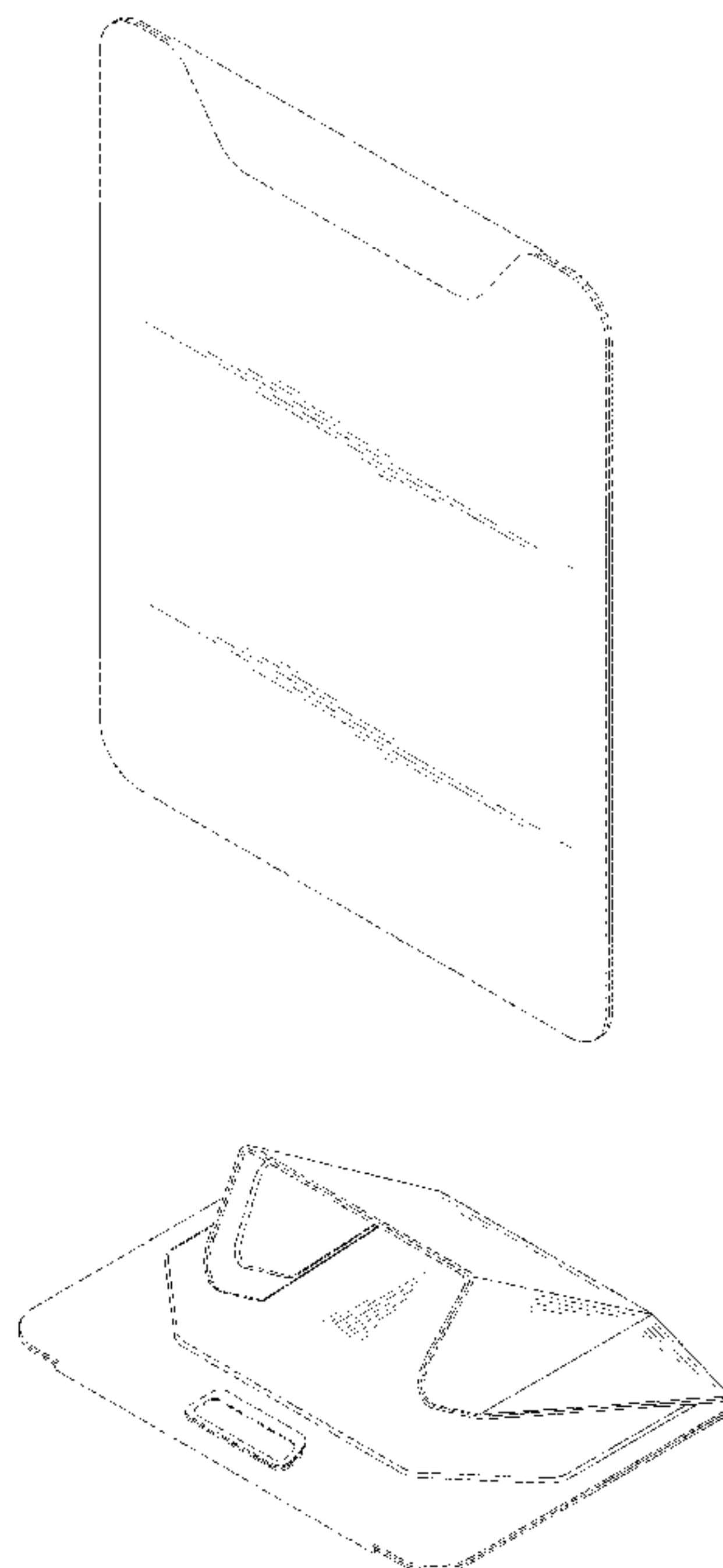
The ornamental design for an multifunctional case for portable electronic device, as shown and described.

DESCRIPTION

FIG. 1 is a perspective view of a multifunctional case for portable electronic device showing our new design; FIG. 2 is a front elevational view of the case; FIG. 3 is a rear elevational view of the case; FIG. 4 is a left side elevational view of the case; FIG. 5 is a right side elevational view of the case; FIG. 6 is a perspective view of the case in a folded state; FIG. 7 is a front elevational view of FIG. 6; FIG. 8 is a rear elevational view of FIG. 6; FIG. 9 is a left side elevational view of FIG. 6; and, FIG. 10 is a top plan view of FIG. 6.

The dash-dot-dot broken lines represent boundaries of the claimed design and form no part of the claim design. The broken lines illustrate non-claimed subject matter and form no part of the claimed design.

1 Claim, 10 Drawing Sheets



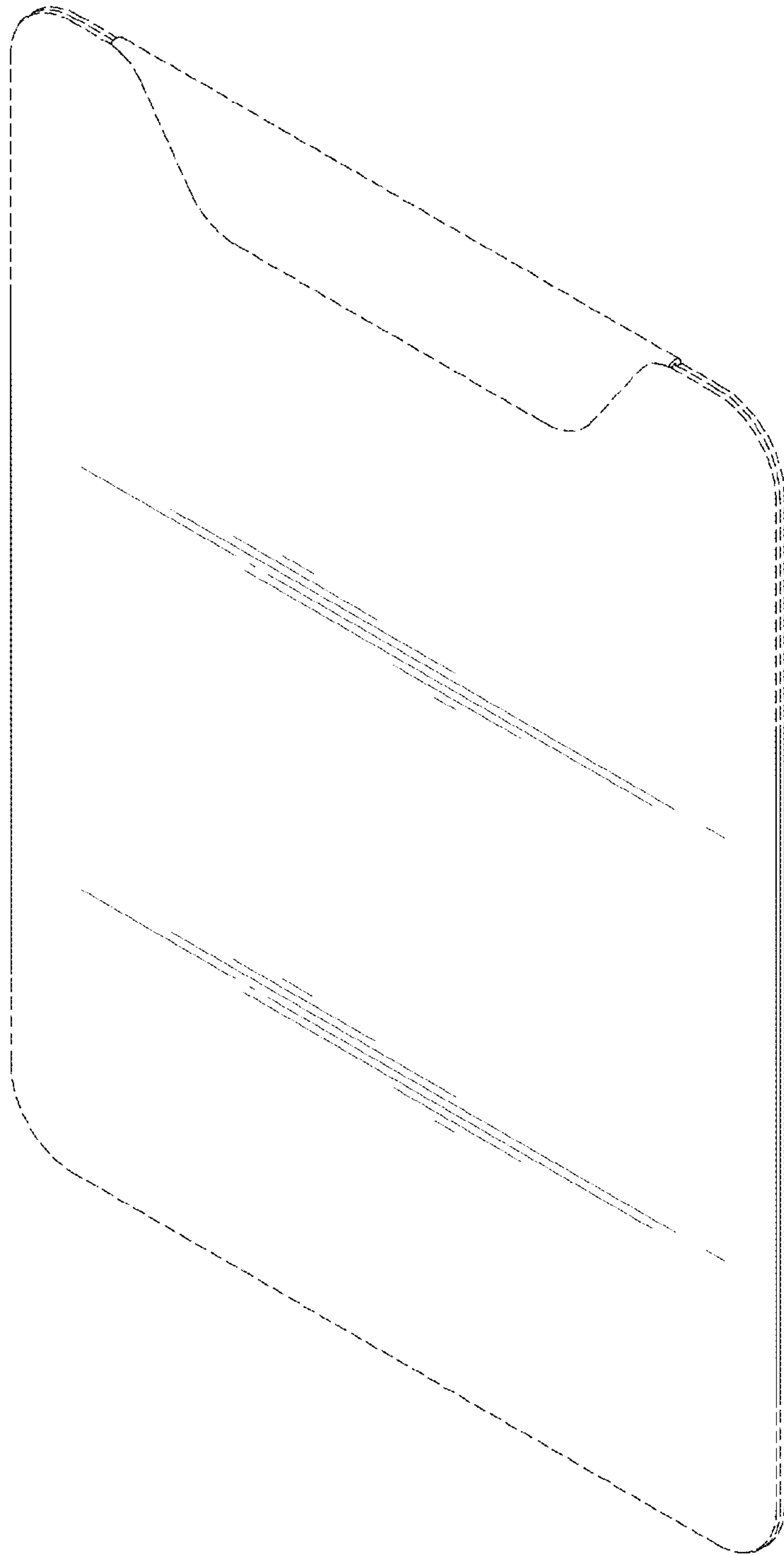


FIG. 1

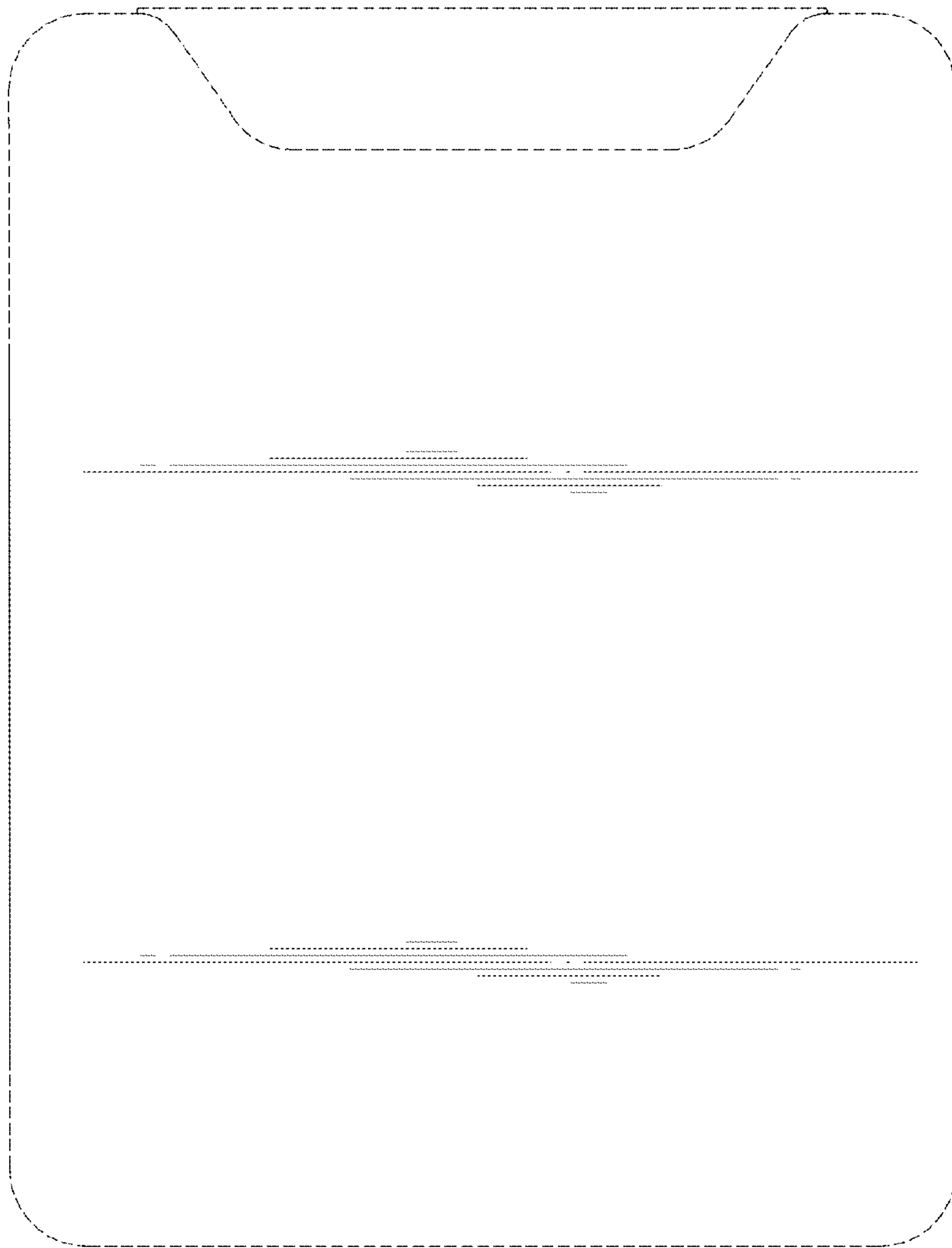


FIG. 2

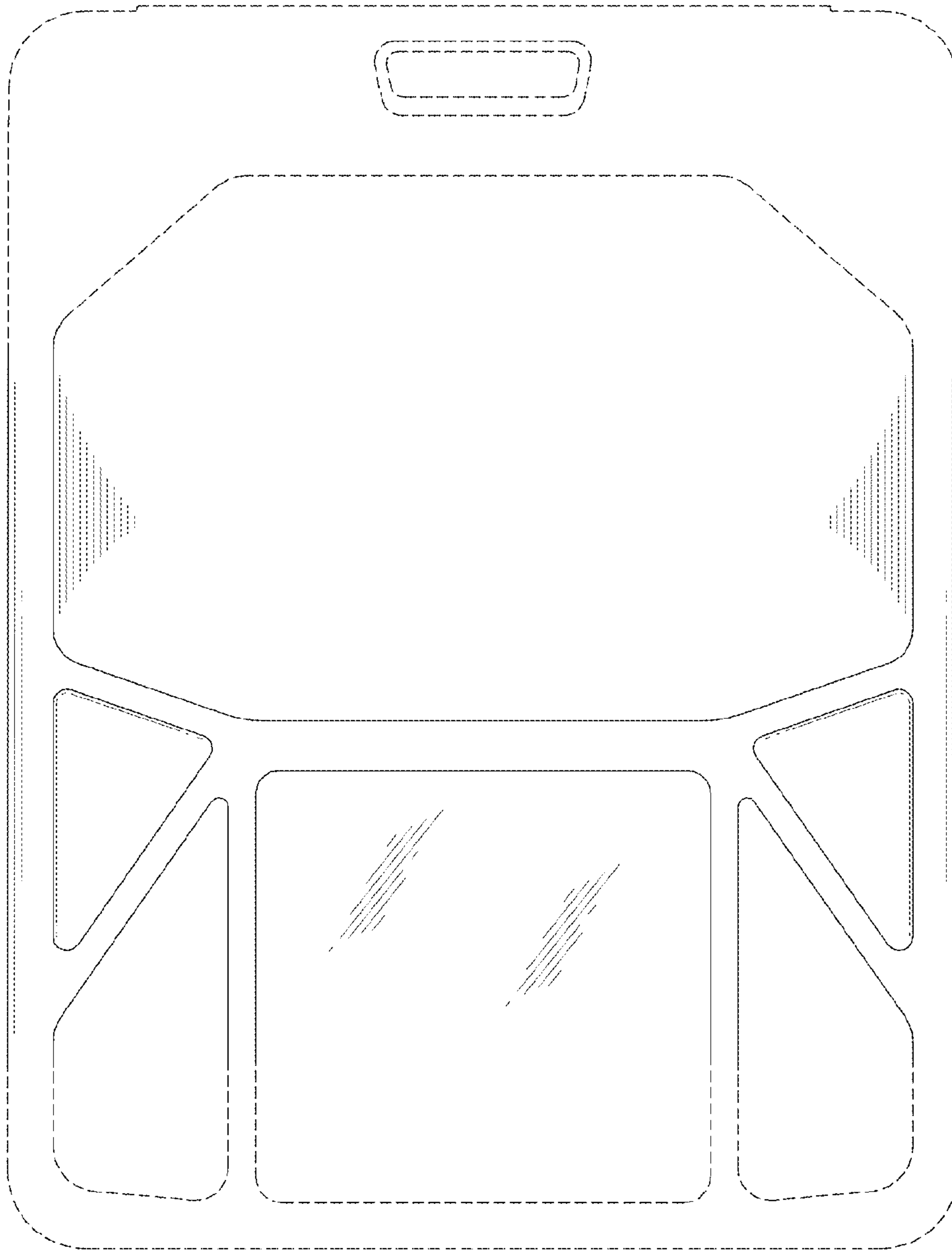


FIG. 3

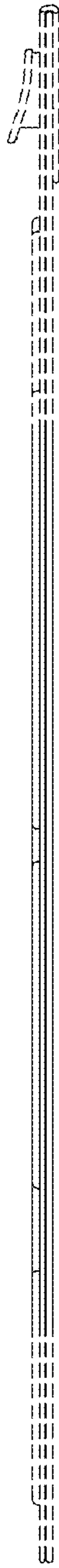


FIG. 4

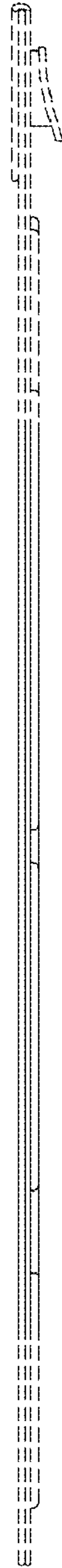


FIG. 5

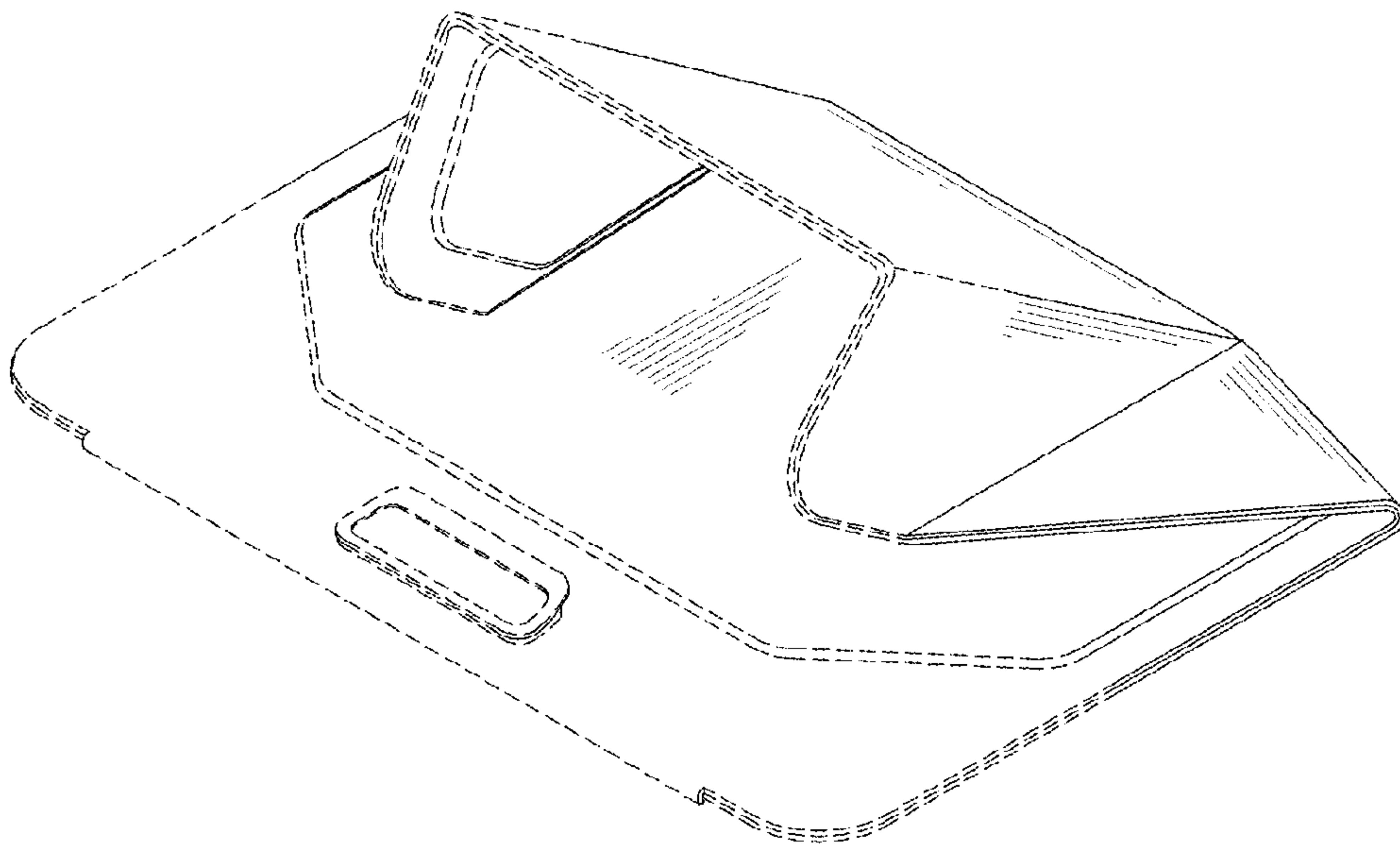


FIG. 6

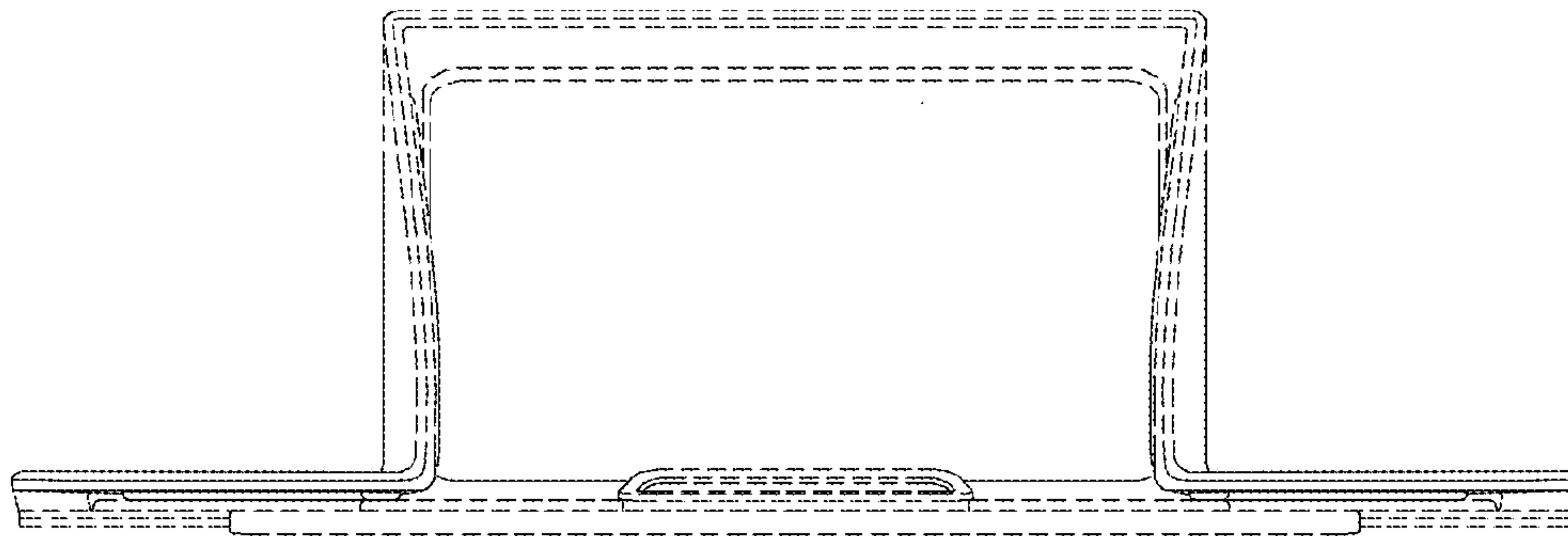


FIG. 7

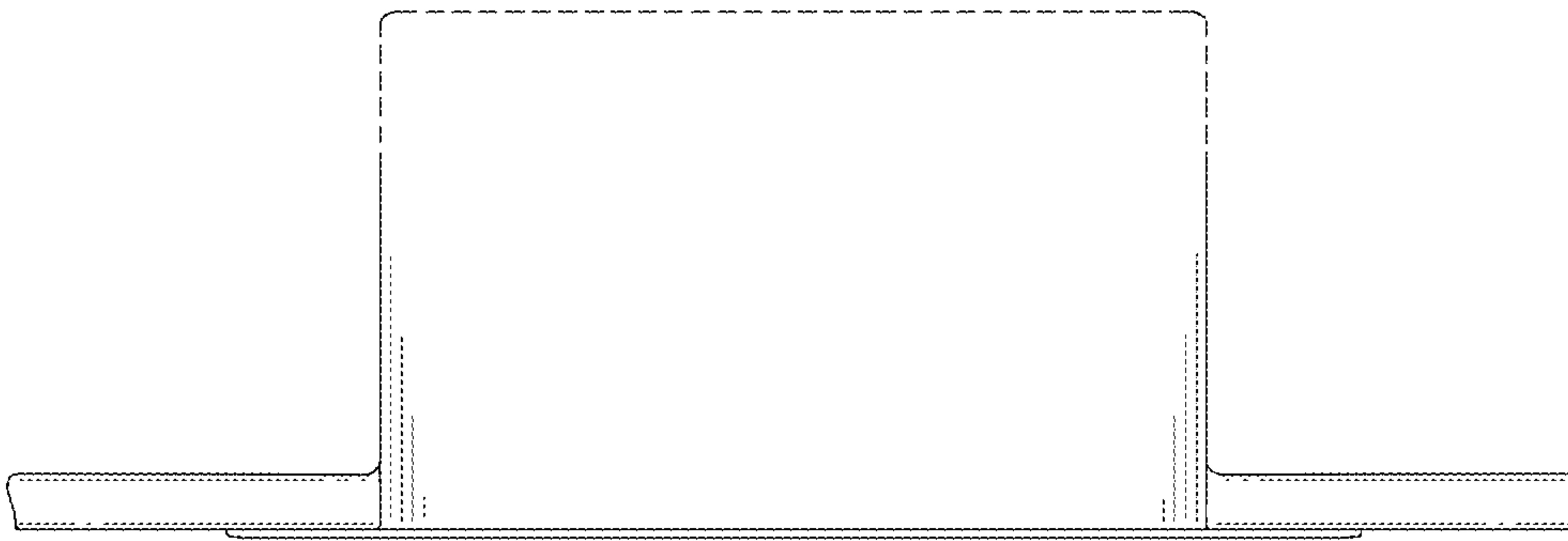


FIG. 8

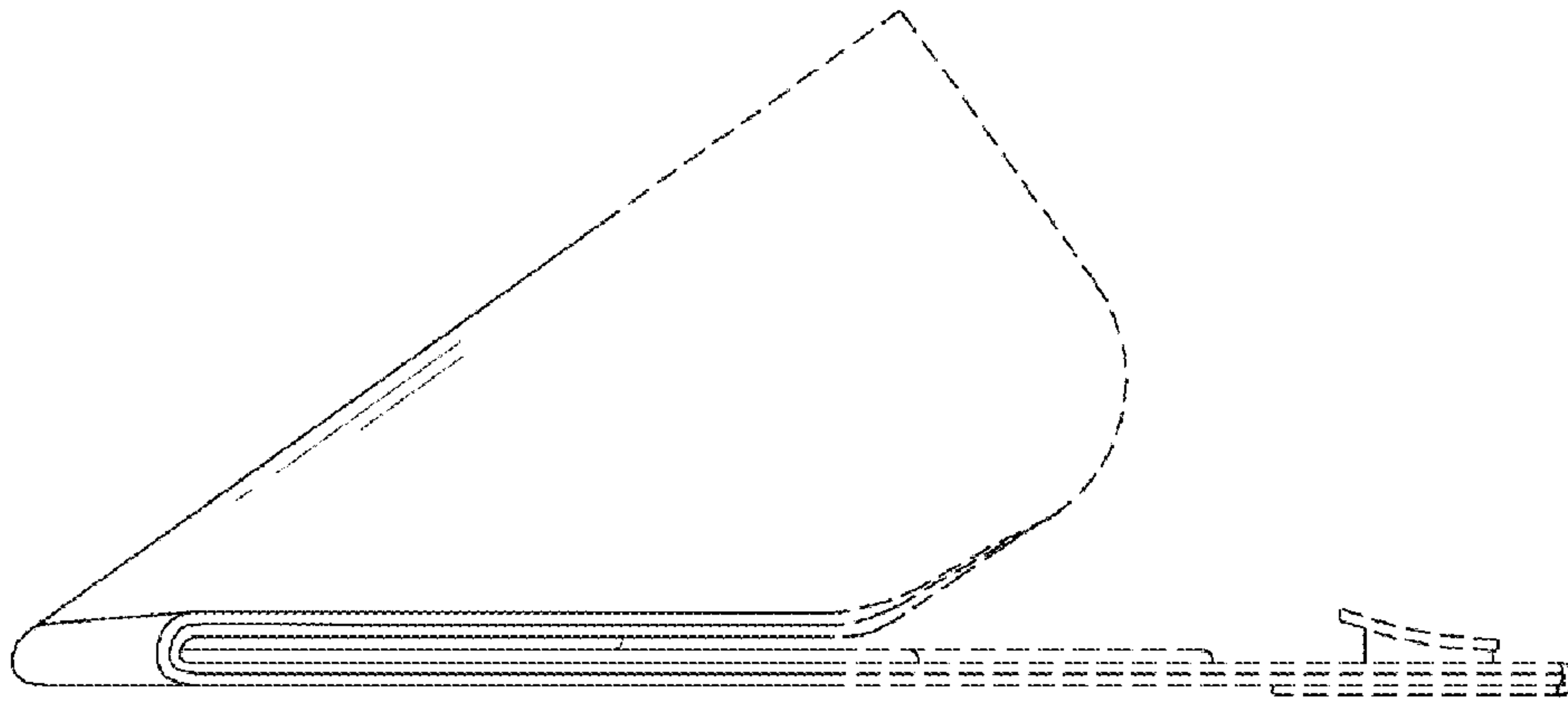


FIG. 9

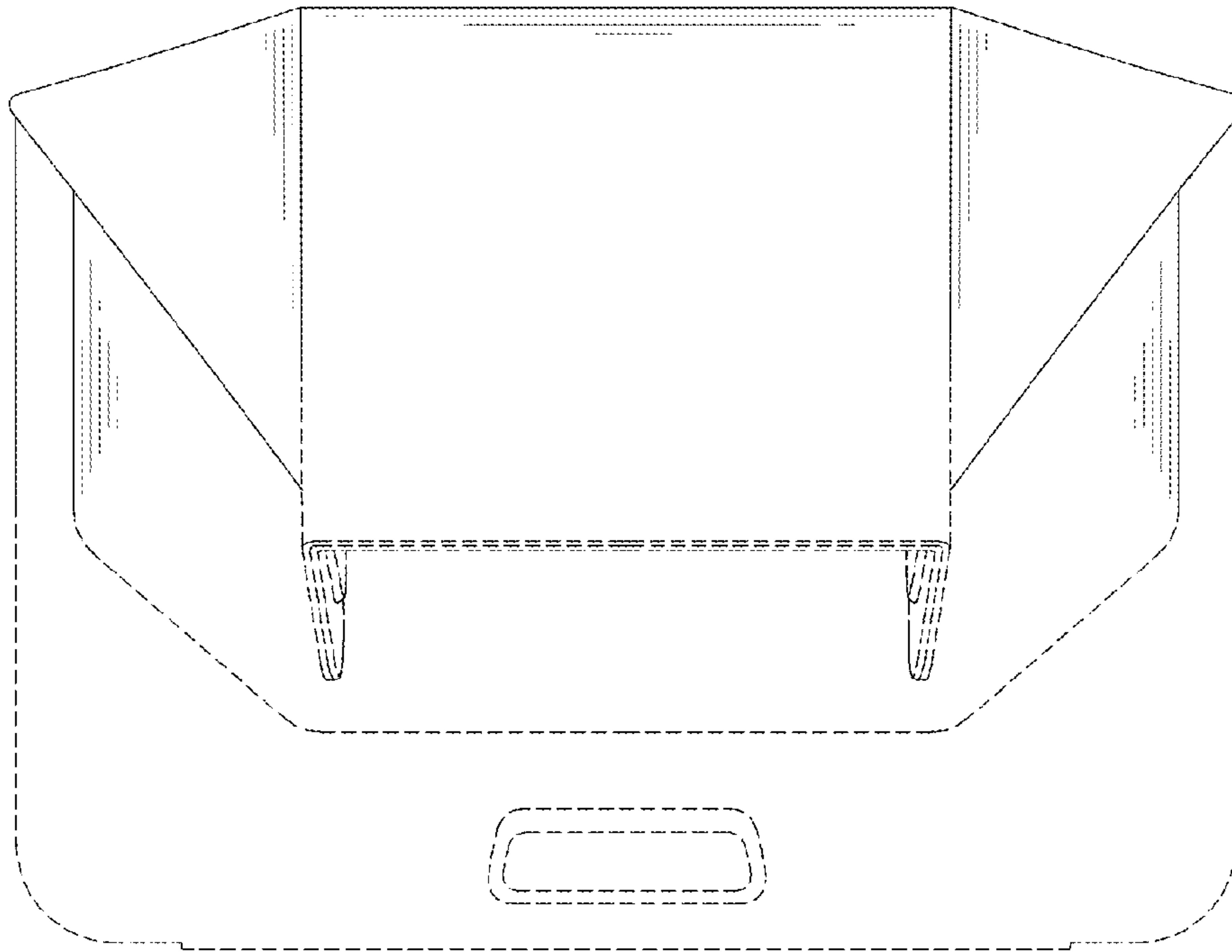


FIG. 10