



US00D674800S

(12) **United States Design Patent**
Kim

(10) **Patent No.:** **US D674,800 S**
(45) **Date of Patent:** **** Jan. 22, 2013**

(54) **MOBILE TERMINAL CASE**

(74) *Attorney, Agent, or Firm* — NSIP Law

(75) Inventor: **Yoon-Young Kim**, Yongin-si (KR)

(57) **CLAIM**

(73) Assignee: **Samsung Electronics Co., Ltd.** (KR)

I claim the ornamental design for a mobile terminal case, as shown and described.

(**) Term: **14 Years**

DESCRIPTION

(21) Appl. No.: **29/400,620**

(22) Filed: **Aug. 31, 2011**

(30) **Foreign Application Priority Data**

Jun. 10, 2011 (KR) 30-2011-0023742

(51) **LOC (9) Cl.** **14-02**

(52) **U.S. Cl.** **D14/440**

(58) **Field of Classification Search** D14/250,
D14/251, 253, 240, 217, 496, 440, 203.3,
D14/203.4, 203.5, 203.8, 432, 439, 300;
D3/218, 215, 201; 220/4.02; 248/309.1;
361/679.56, 679.03; 379/426, 433.11, 455;
455/575.1, 575.8; 190/100; 206/305, 320

See application file for complete search history.

(56) **References Cited**

U.S. PATENT DOCUMENTS

2,354,782	A *	8/1944	Stradling et al.	281/16
4,259,568	A *	3/1981	Dynesen	235/1 D
4,703,160	A *	10/1987	Narishima et al.	235/1 D
4,718,550	A *	1/1988	Johnson	206/387.13
D306,583	S *	3/1990	Krolopp et al.	D14/137
5,375,076	A *	12/1994	Goodrich et al.	361/679.17
D435,550	S *	12/2000	Chu et al.	D14/345
D546,878	S *	7/2007	Bharma	D19/26
7,318,521	B2 *	1/2008	Lau	206/45.24
D579,975	S *	11/2008	Brown	D19/26
7,542,052	B2 *	6/2009	Solomon et al.	345/659
D600,699	S *	9/2009	Johnston et al.	D14/440

(Continued)

FIG. 1 is a perspective view of a mobile terminal case;
FIG. 2 is a front view of the mobile terminal case of FIG. 1;
FIG. 3 is a rear view of the mobile terminal case of FIG. 1;
FIG. 4 is a left-side view of the mobile terminal case of FIG. 1;

FIG. 5 is a right-side view of the mobile terminal case of FIG. 1;

FIG. 6 is a top plan view of the mobile terminal case of FIG. 1;

FIG. 7 is a bottom plan view of the mobile terminal case of FIG. 1;

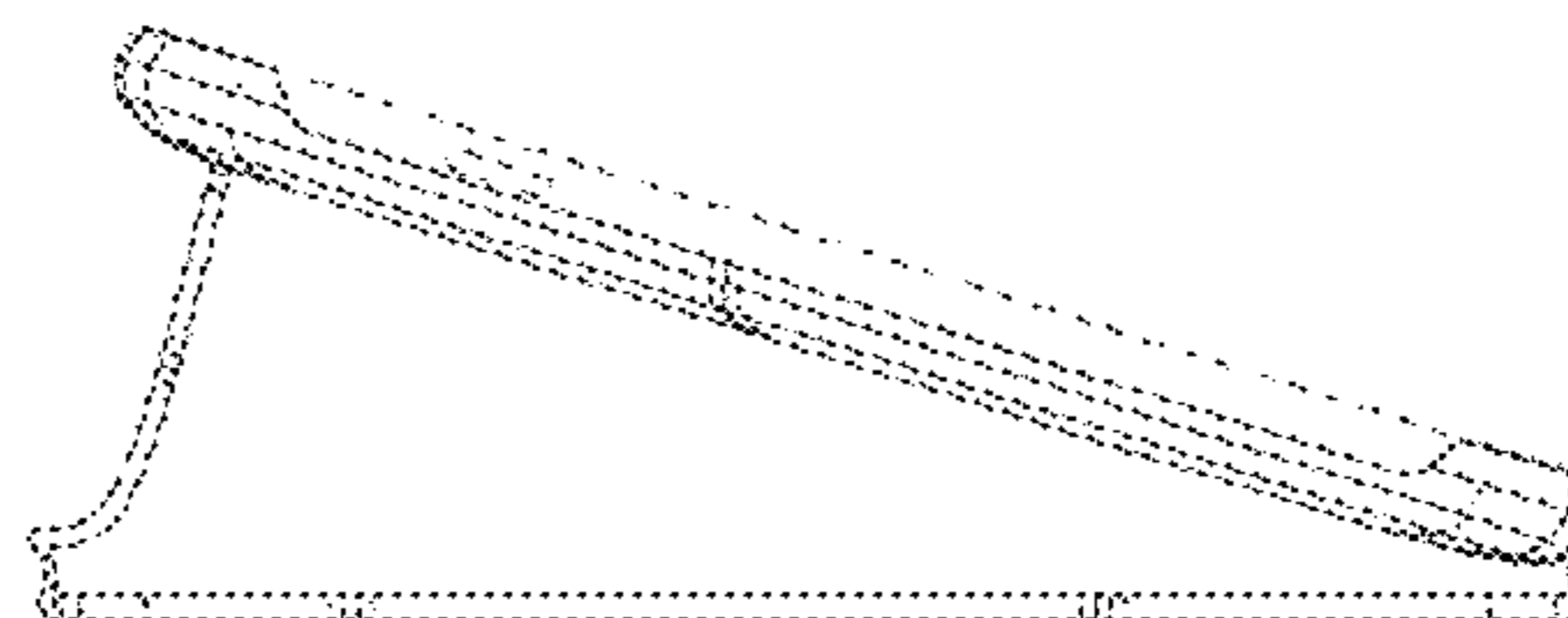
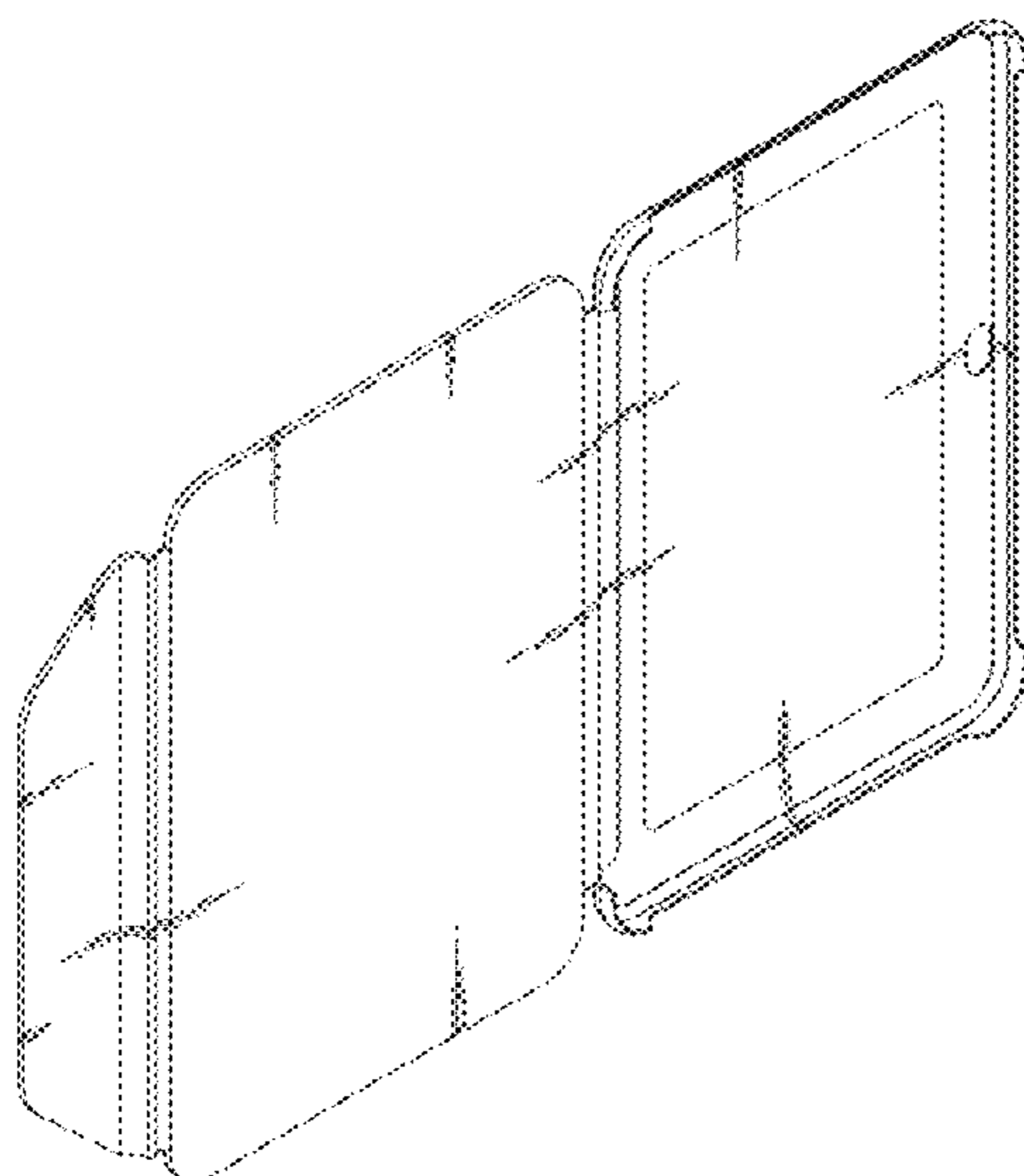
FIG. 8 is a perspective view of the mobile terminal case of FIG. 1 illustrating an example of how the mobile terminal case may receive a mobile terminal, in which the evenly spaced broken lines showing the mobile terminal are for illustrative purpose only and form no part of the claimed design;

FIG. 9 is a perspective view of the mobile terminal case of FIG. 1 in which the mobile terminal case is in its closed state;
FIG. 10 is a side plan view of the mobile terminal case of FIG. 1 illustrating an example of how the mobile terminal case may be folded as a stand with a mobile terminal therein, in which the evenly spaced broken lines showing the mobile terminal are for illustrative purpose only and form no part of the claimed design; and,

FIG. 11 is a side plan view of the mobile terminal case of FIG. 1 illustrating another example of how the mobile terminal case may be folded as a stand with a mobile terminal therein, in which the evenly spaced broken lines showing the mobile terminal are for illustrative purpose only and form no part of the claimed design.

Primary Examiner — Cynthia Underwood

1 Claim, 9 Drawing Sheets



US D674,800 S

Page 2

U.S. PATENT DOCUMENTS

D641,348	S *	7/2011	Kim et al.	D14/250	2001/0040561	A1 *	11/2001	Weinzierl et al.	345/169
D646,266	S *	10/2011	Kim et al.	D14/250	2004/0202858	A1 *	10/2004	Lee	428/332
D652,831	S *	1/2012	Lee et al.	D14/315	2009/0017883	A1 *	1/2009	Lin	455/575.8
D657,354	S *	4/2012	Kim	D14/250	2010/0294909	A1 *	11/2010	Hauser et al.	248/456
D659,139	S *	5/2012	Gengler	D14/392	2010/0300909	A1 *	12/2010	Hung	206/320
8,230,992	B2 *	7/2012	Law et al.	206/320	2012/0043231	A1 *	2/2012	Perrier et al.	206/216
8,235,208	B2 *	8/2012	Sirichai et al.	206/320	2012/0194448	A1 *	8/2012	Rothkopf	345/173

* cited by examiner

FIG. 1

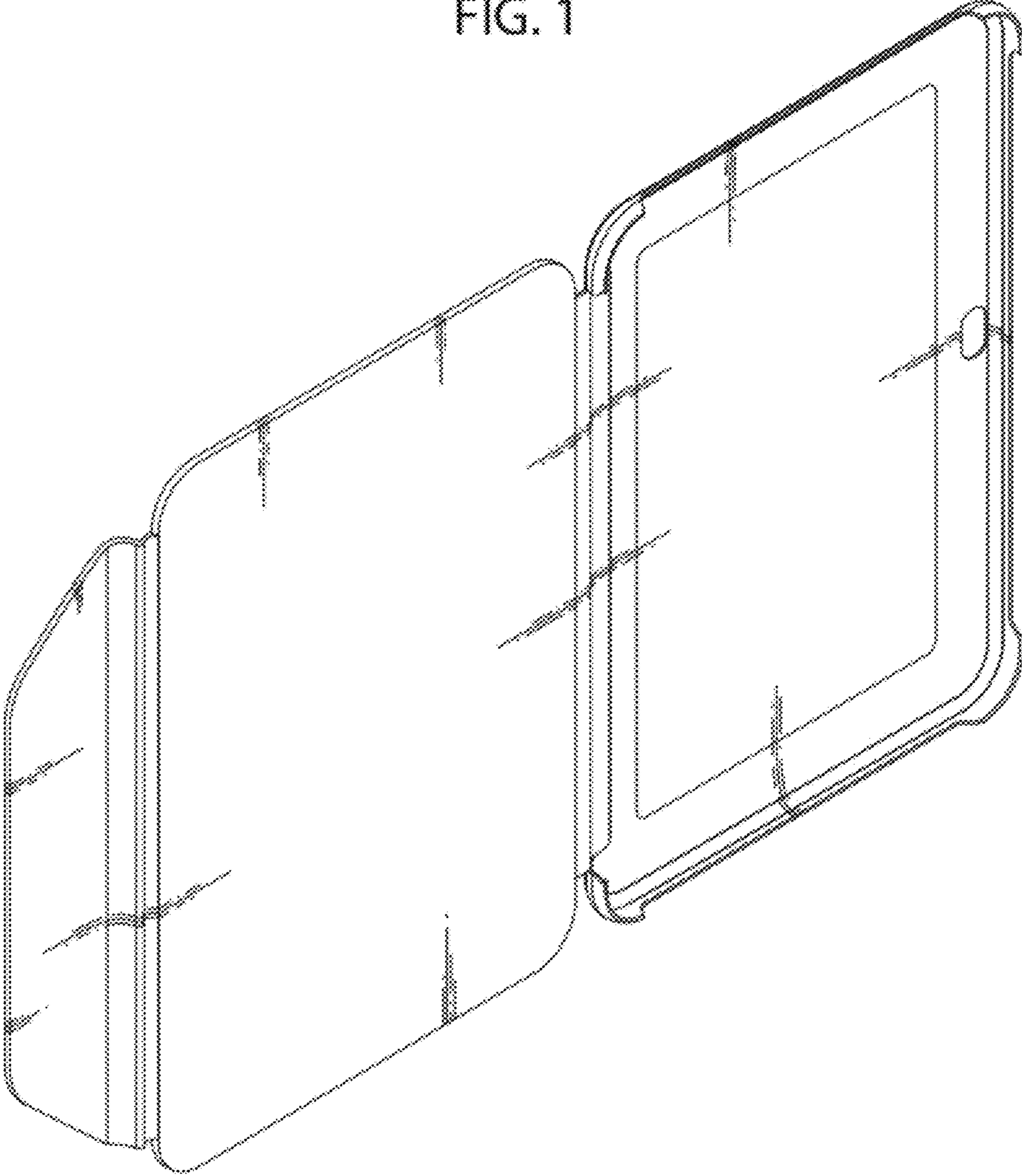


FIG. 2

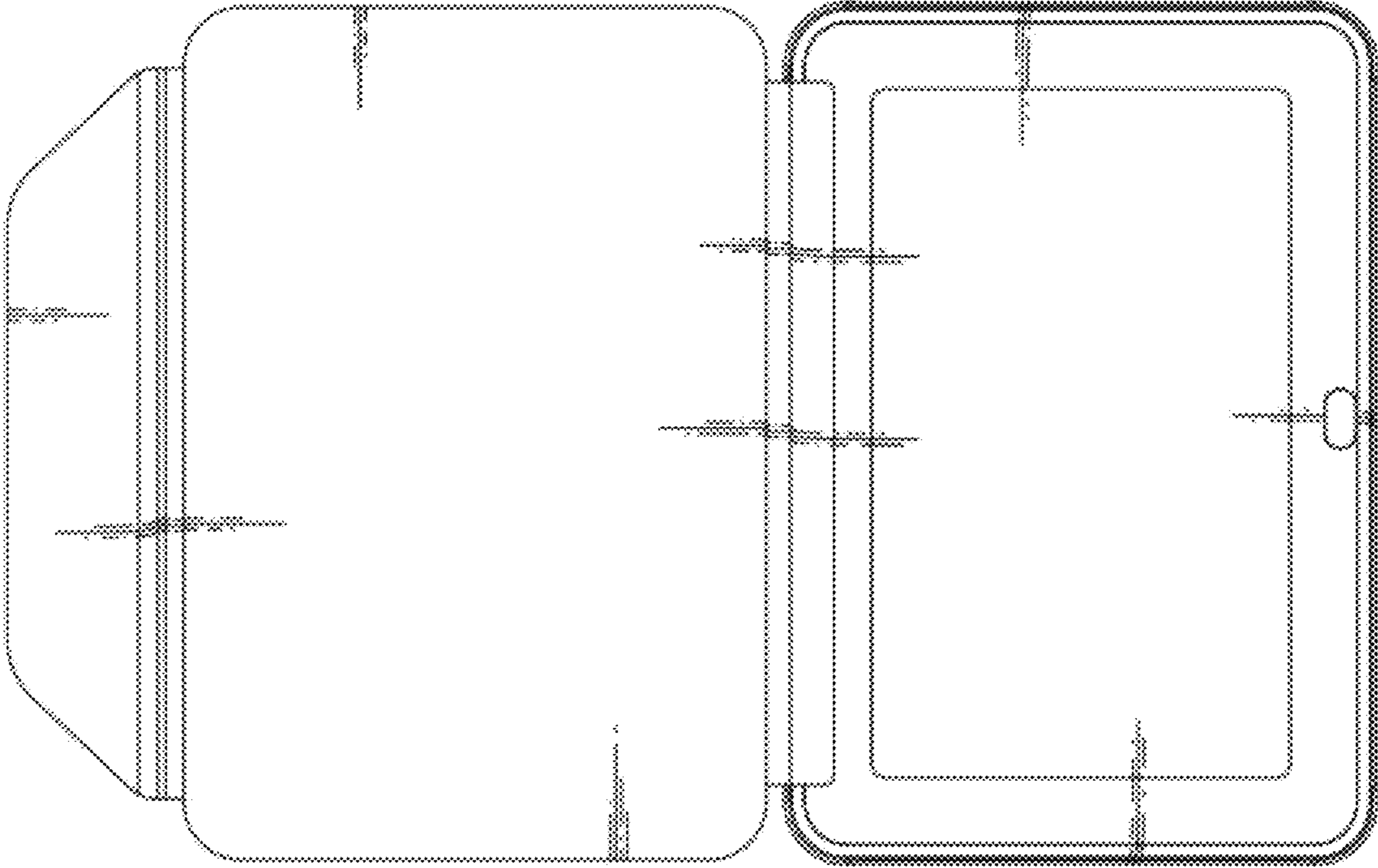


FIG. 3

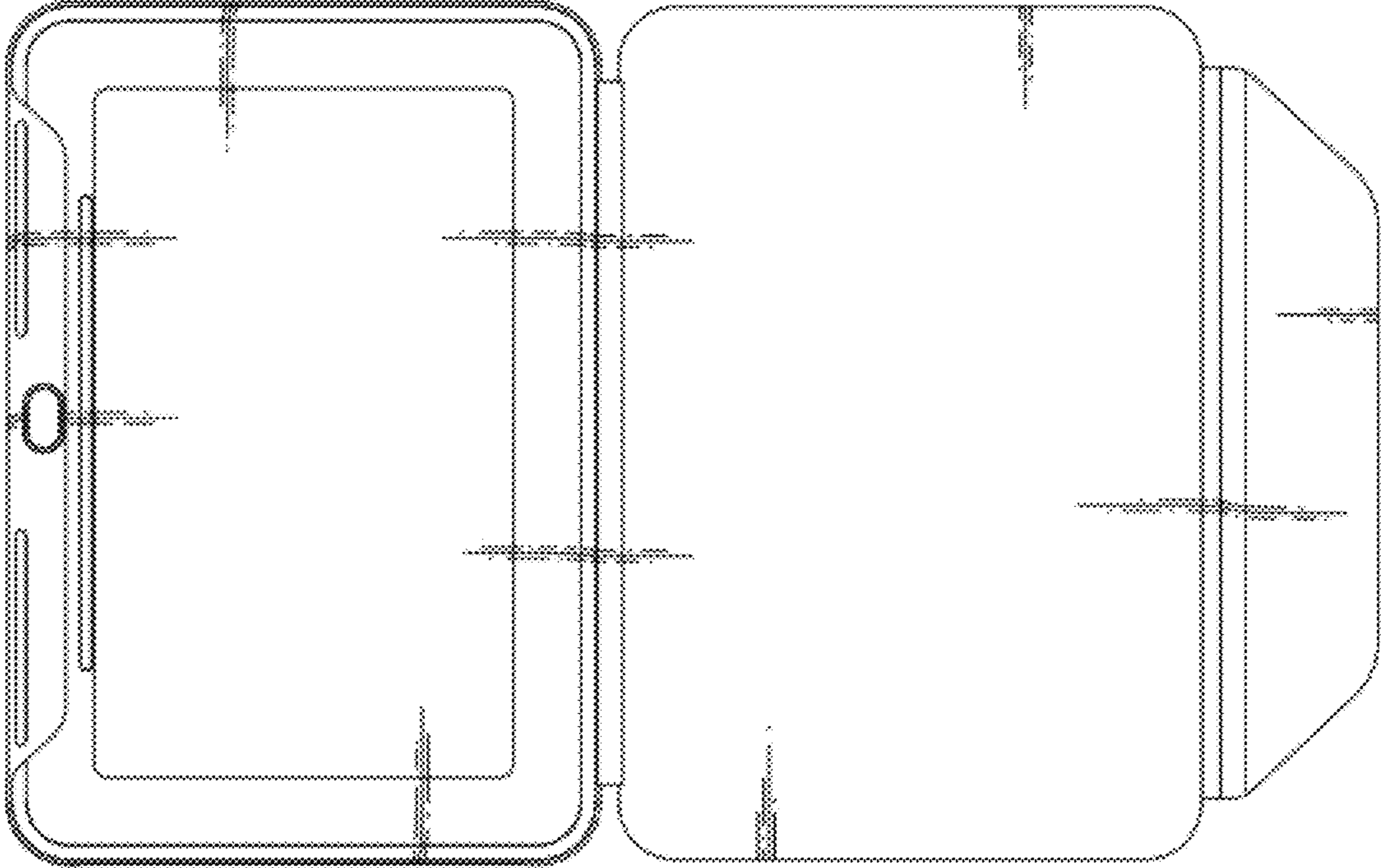


FIG. 4

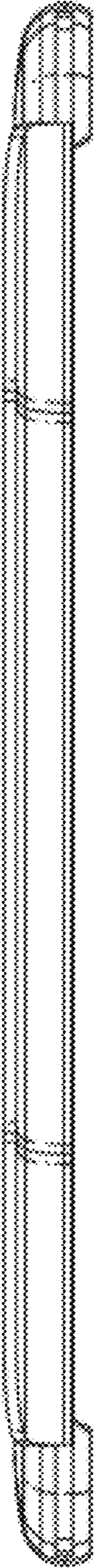


FIG. 5

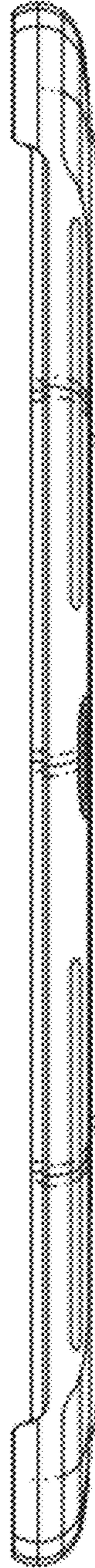


FIG. 6

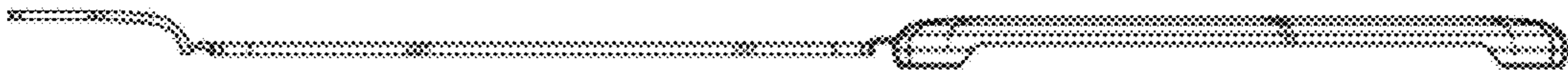


FIG. 7

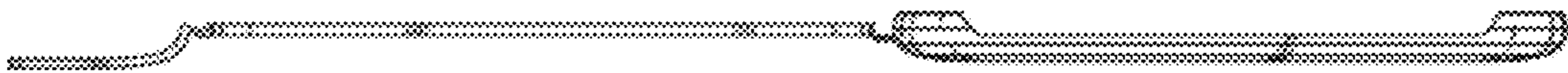


FIG. 8

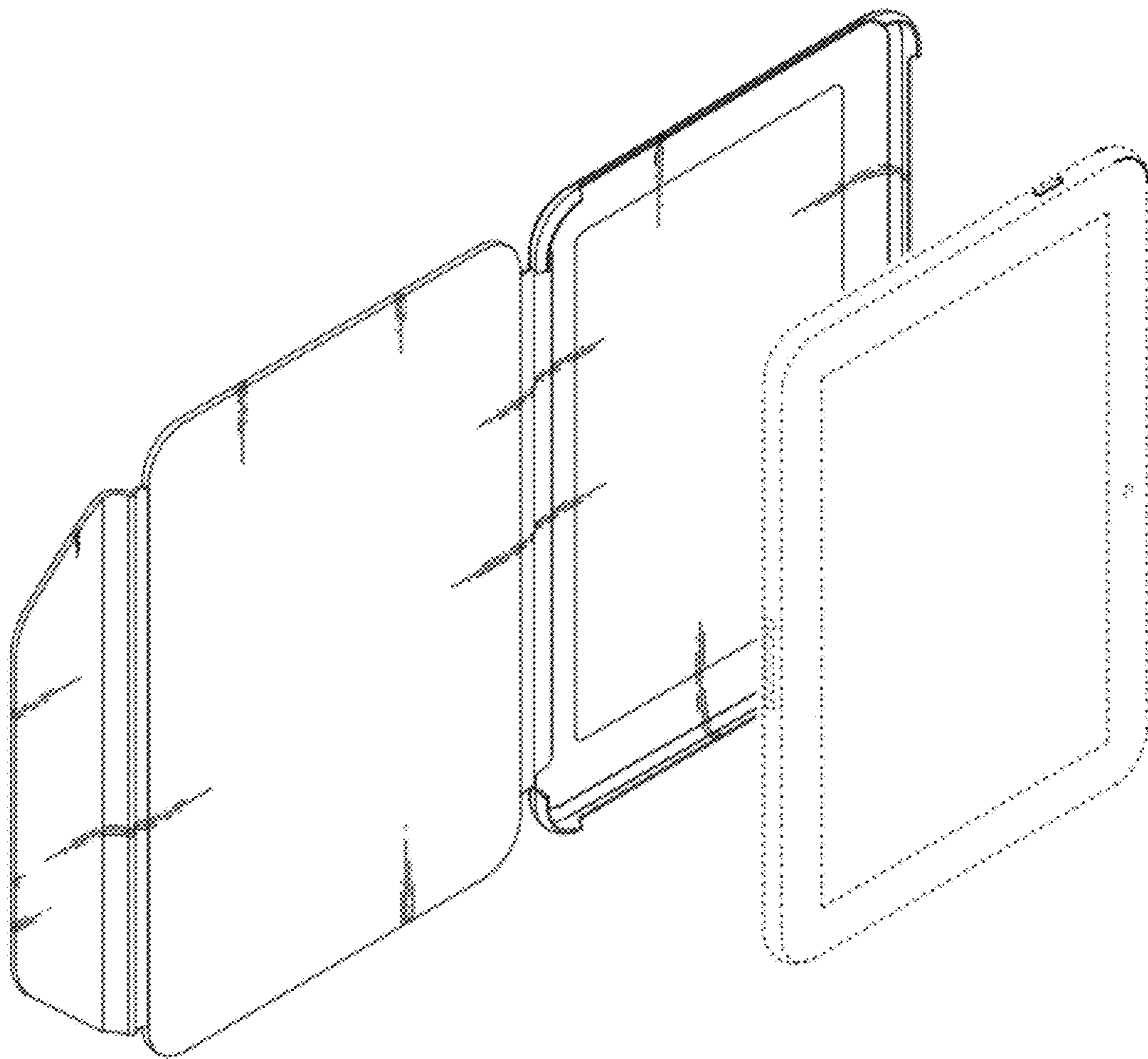


FIG. 9

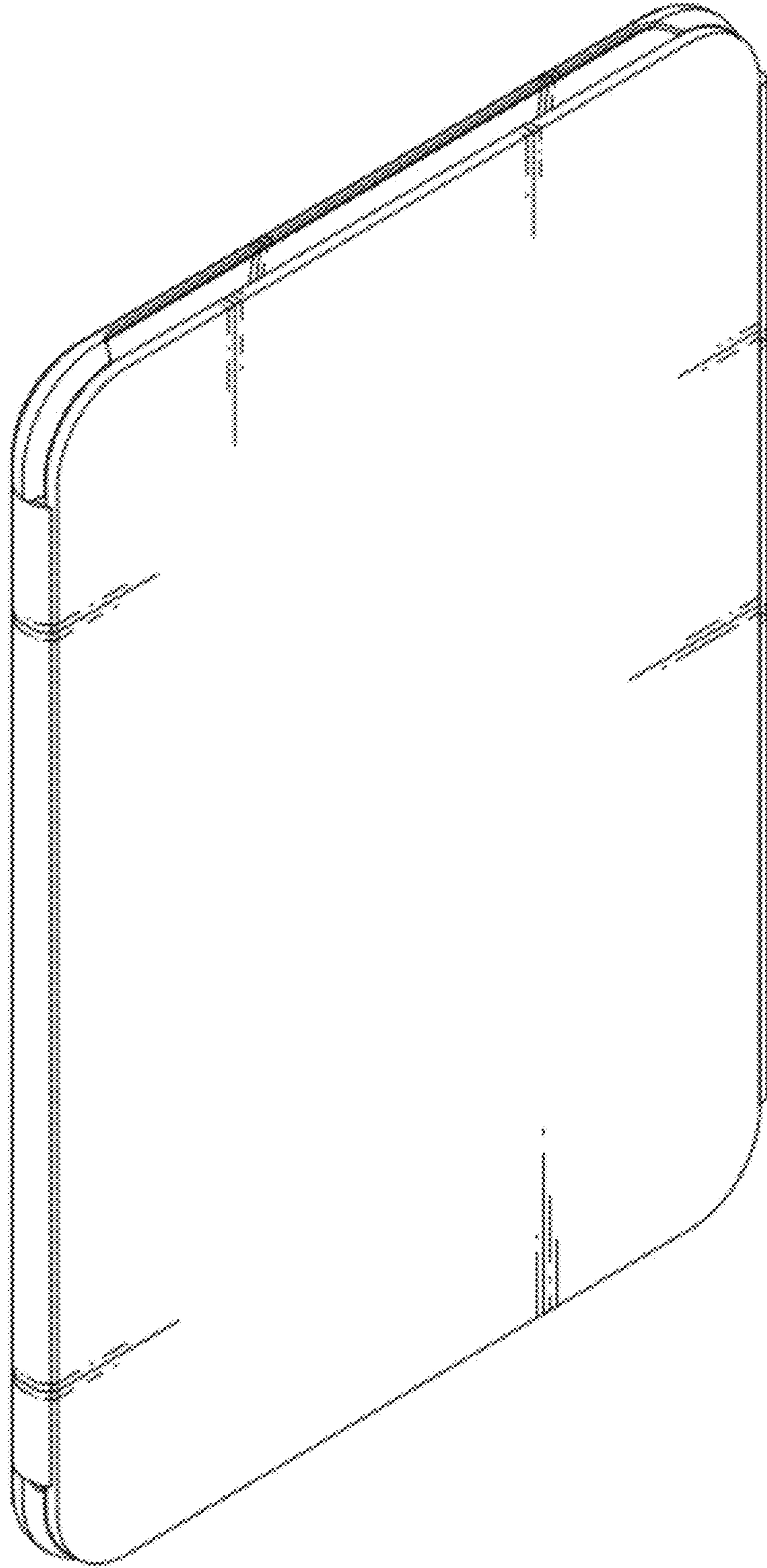


FIG. 10

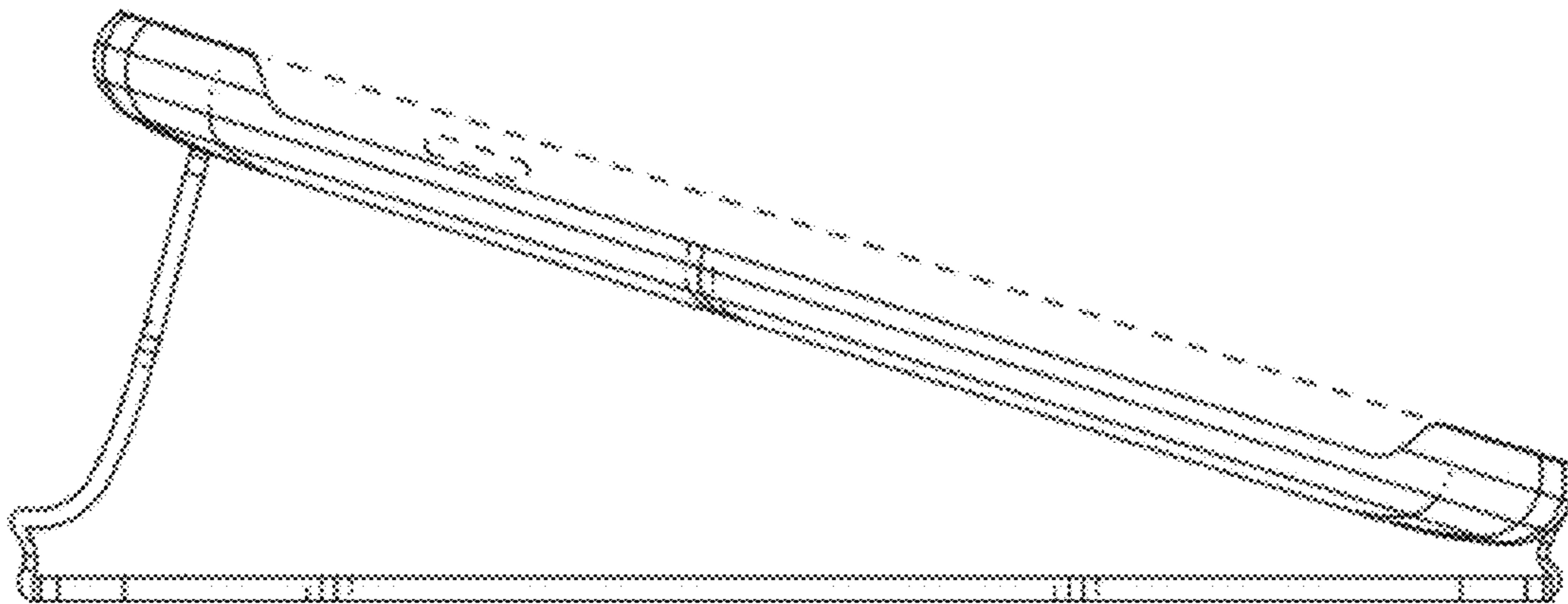


FIG. 11

