



US00D674795S

(12) **United States Design Patent**  
**Wilson et al.**

(10) **Patent No.:** **US D674,795 S**  
(45) **Date of Patent:** **\*\* Jan. 22, 2013**

(54) **CRAYON STYLUS**

(75) Inventors: **Scott H. Wilson**, Chicago, IL (US);  
**Isabel Grace Wilson**, Chicago, IL (US);  
**Ava Anita Wilson**, Chicago, IL (US)

(73) Assignee: **Wimo Labs, LLC**, Chicago, IL (US)

(\*\*) Term: **14 Years**

(21) Appl. No.: **29/428,665**

(22) Filed: **Aug. 2, 2012**

(51) **LOC (9) Cl.** ..... **14-02**

(52) **U.S. Cl.** ..... **D14/411**

(58) **Field of Classification Search** ..... D8/61;  
D14/411; D19/35, 36, 41-51, 54-58; 401/55,  
401/99, 100, 104-107, 196, 197, 202, 208,  
401/209, 213, 192, 195, 243; 708/107; 345/179,  
345/173; 178/19.01; 700/94

See application file for complete search history.

(56) **References Cited**

**U.S. PATENT DOCUMENTS**

5,635,682	A	6/1997	Cherdak	
5,877,459	A	3/1999	Prater	
6,050,735	A	4/2000	Hazzard	
6,439,791	B1	8/2002	Takeuchi et al.	
D497,640	S *	10/2004	Qiu	D19/43
D576,209	S *	9/2008	Huang	D19/44
D595,719	S *	7/2009	Hu	D14/411
7,567,242	B2	7/2009	Perkins	
7,607,849	B2	10/2009	Barker	
D613,742	S *	4/2010	Avery et al.	D14/411
D619,579	S *	7/2010	Flores Rodrigues Vieira	D14/411
D631,465	S *	1/2011	Lipsky et al.	D14/167
D658,183	S *	4/2012	Avery	D14/411

D670,698	S *	11/2012	ÅHman et al.	D14/411
D670,699	S *	11/2012	Sato	D14/411
2005/0083315	A1 *	4/2005	Pei	345/179
2006/0109262	A1 *	5/2006	Yeh	345/179
2008/0030486	A1	2/2008	Cook	
2009/0002346	A1 *	1/2009	Henning et al.	345/179
2010/0021022	A1	1/2010	Pittel	

**FOREIGN PATENT DOCUMENTS**

JP 2012-053681 3/2012

**OTHER PUBLICATIONS**

Webpage from Amazon.com for "Dr. Grip 1 + 1 Stylus Pen Combo (does not work with iPad/iPhone)" printed from <http://www.amazon.com/Grip-Stylus-Pen-Combo-iPhone/dp/B0015PJHMQ> on Nov. 1, 2011.

\* cited by examiner

*Primary Examiner* — Austin Murphy

(74) *Attorney, Agent, or Firm* — Neal, Gerber & Eisenberg LLP

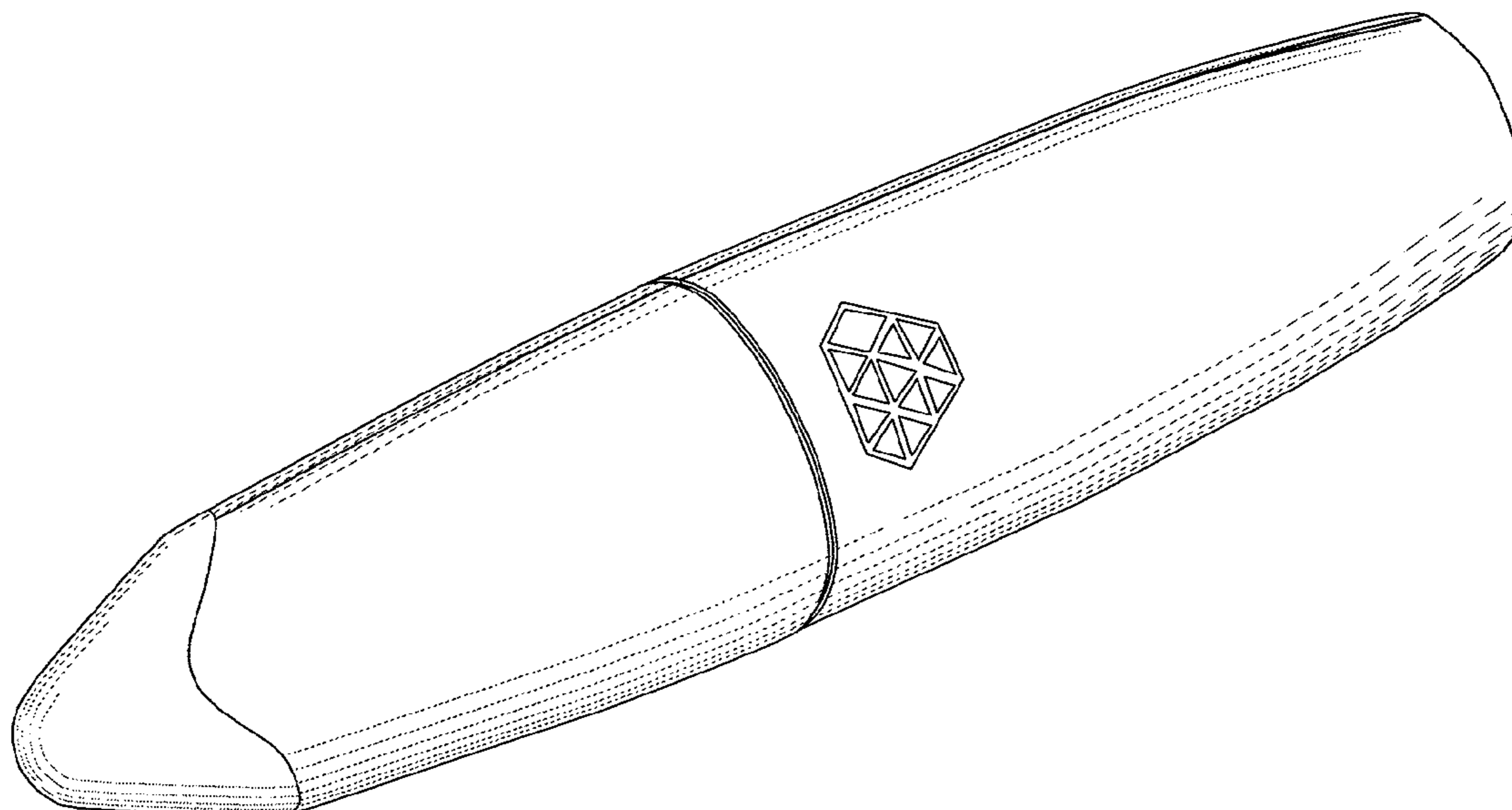
(57) **CLAIM**

The ornamental design for the crayon stylus, as shown and described.

**DESCRIPTION**

FIG. 1 is a perspective view of the crayon stylus of the present invention;  
FIG. 2 is a side view thereof;  
FIG. 3 an end view thereof with the stylus tip component forward;  
FIG. 4 an end view thereof with the housing component forward; and,  
FIG. 5 is an exploded view of the components of the crayon stylus of the invention.

**1 Claim, 3 Drawing Sheets**



**FIG. 1**

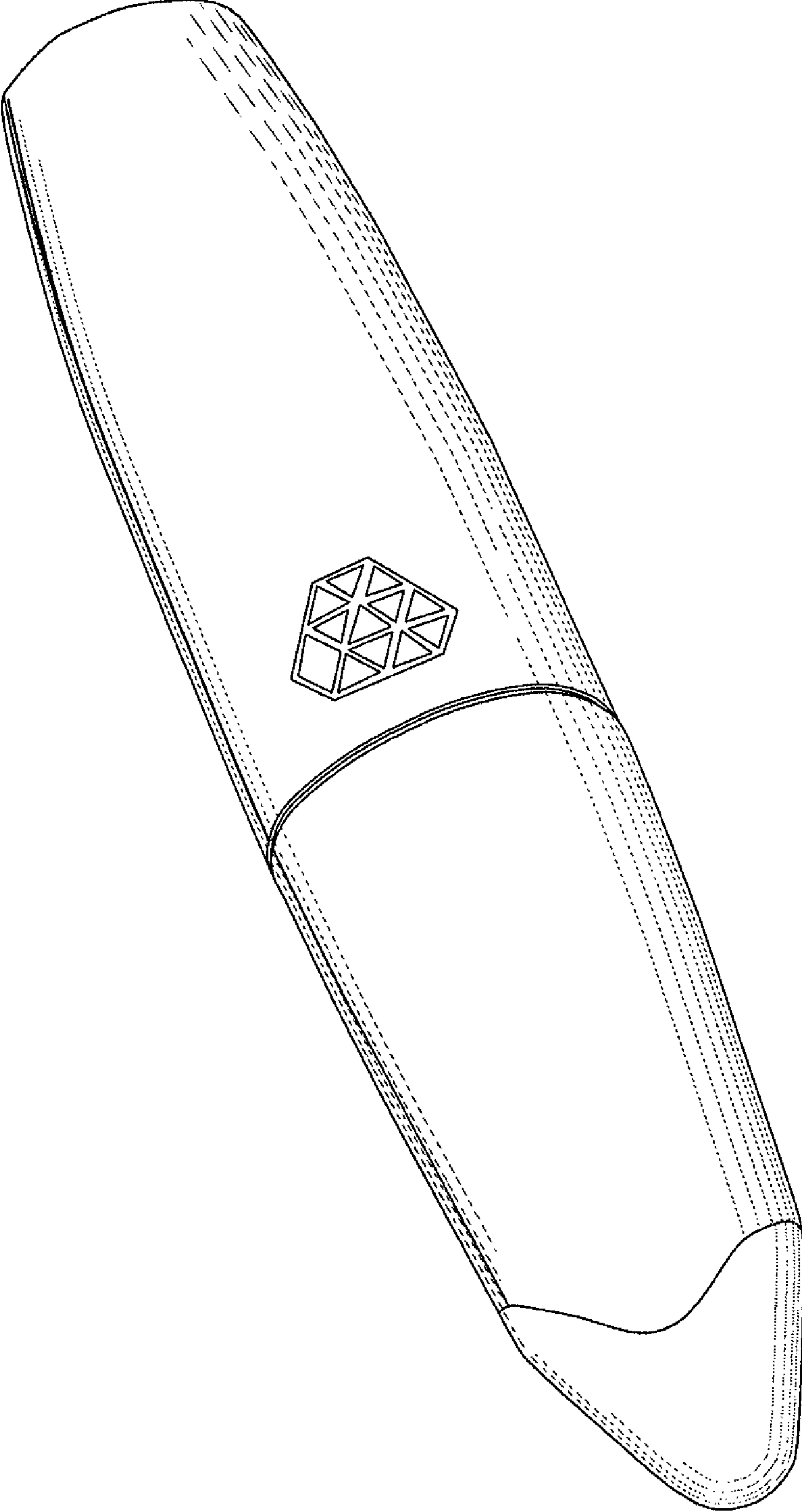


FIG. 2

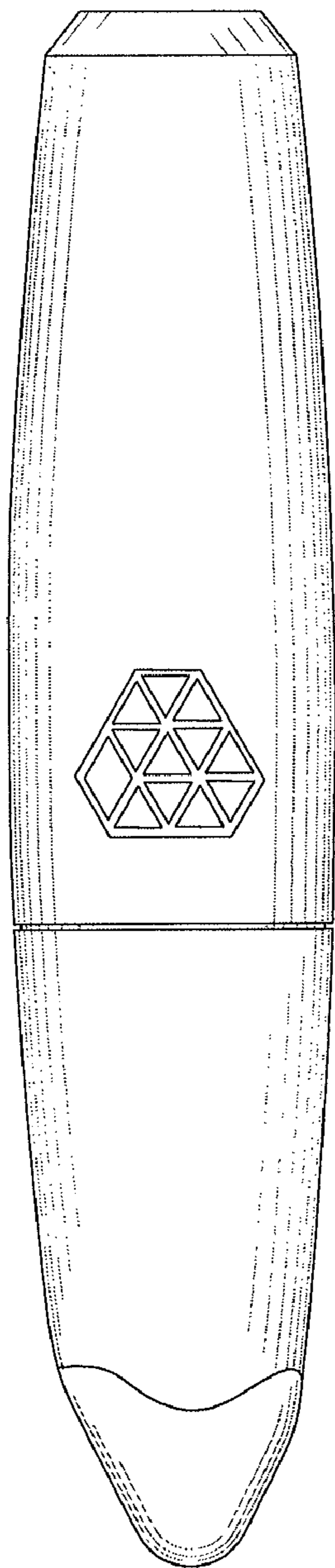


FIG. 4

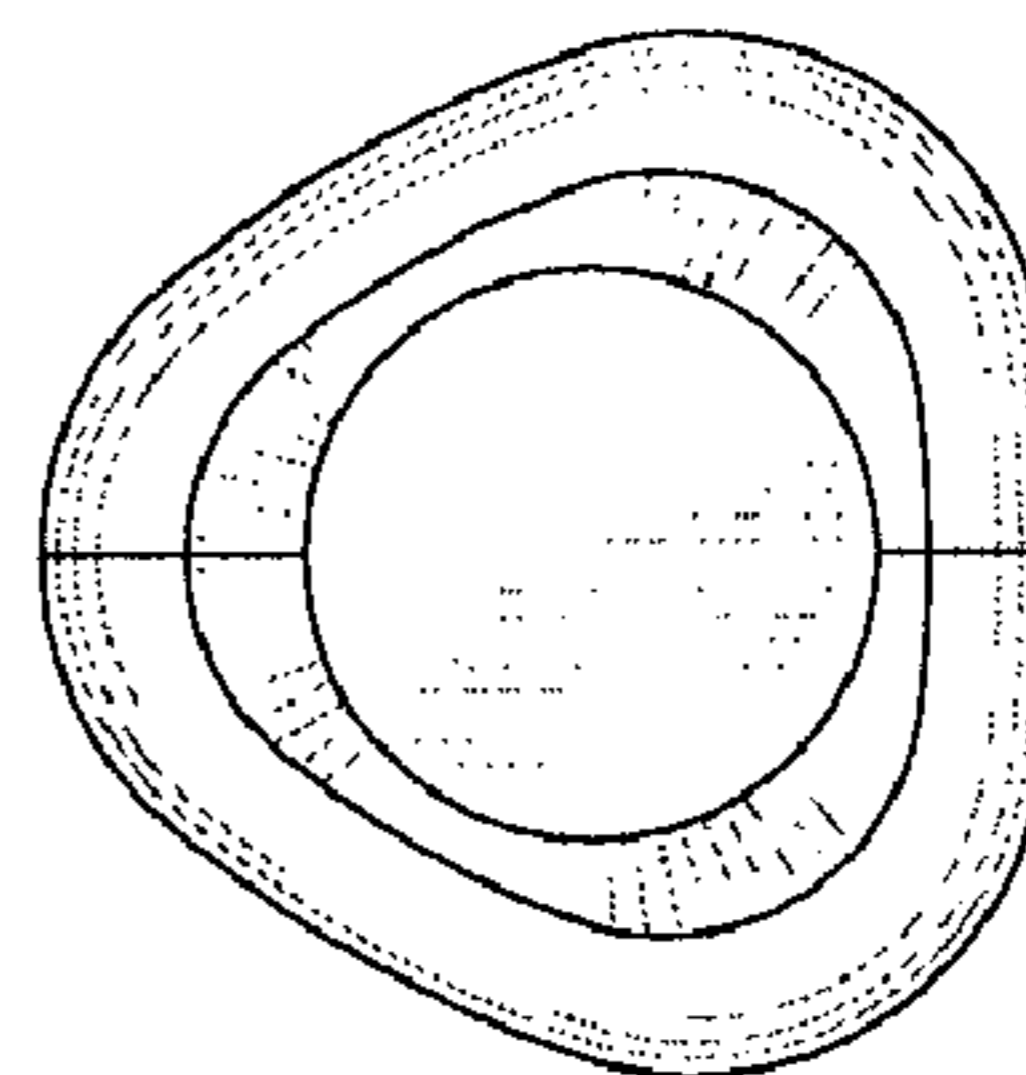


FIG. 3

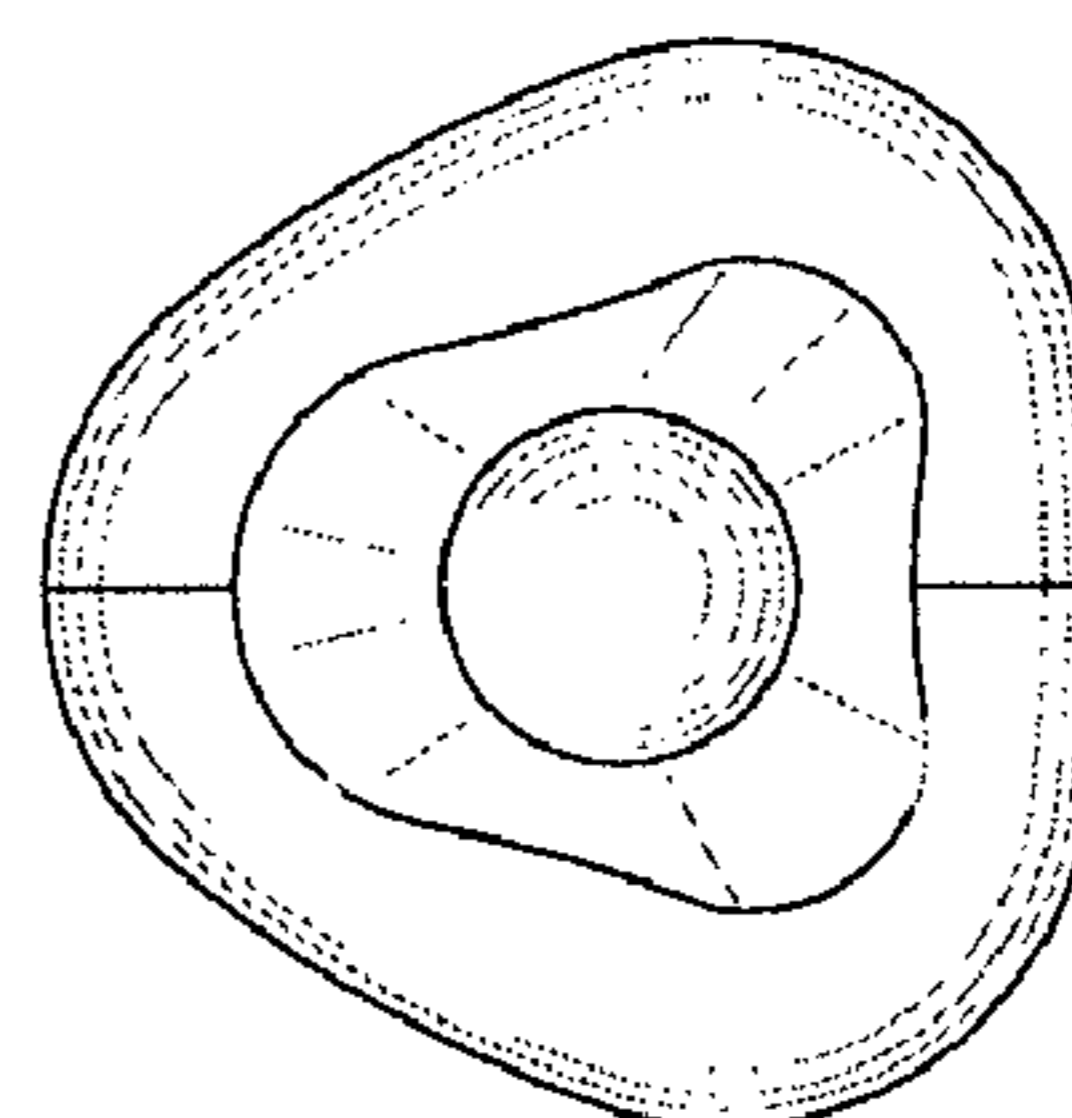


FIG. 5

