



US00D674794S

(12) **United States Design Patent**
Misner

(10) **Patent No.:** **US D674,794 S**
(45) **Date of Patent:** **** Jan. 22, 2013**

(54) **COMBINATION CONTROLLED CASH BAG LOCK**

(75) Inventor: **Michael O. Misner**, Lake Villa, IL (US)

(73) Assignee: **The Eastern Company**, Wheeling, IL (US)

(**) Term: **14 Years**

(21) Appl. No.: **29/395,039**

(22) Filed: **Nov. 15, 2011**

(51) **LOC (9) Cl.** **14-01**

(52) **U.S. Cl.** **D14/331; D14/330**

(58) **Field of Classification Search** D8/330,
D8/331, 339, 343, 346, 300, 303; 70/51-56,
70/57, 78, 95-100, 118, 124, 141, 207, 237;
292/2, 4, 32, 289, 290, 292-296
See application file for complete search history.

4,691,540 A *	9/1987	Murase	70/68
4,744,230 A	5/1988	Shum	70/68
4,821,539 A	4/1989	Steinbach	70/68
4,850,306 A *	7/1989	Nitkin	119/455
4,909,471 A	3/1990	Rifkin	248/551
5,013,162 A	5/1991	Williams et al.	383/97
5,065,602 A	11/1991	Williams et al.	70/68
5,081,855 A	1/1992	Terada et al.	70/68
5,136,864 A	8/1992	Spiekermann et al.	70/68
5,820,267 A	10/1998	Nobles	383/97
D416,463 S *	11/1999	Kayson et al.	D8/99
6,029,482 A	2/2000	Rifkin	70/68
6,510,593 B1	1/2003	Kim	24/418
D498,408 S *	11/2004	Haas	D8/338

(Continued)

Primary Examiner — Prabhakar Deshmukh

(74) *Attorney, Agent, or Firm* — David A. Burge

(57) **CLAIM**

I claim the ornamental design for a combination controlled cash bag lock, substantially as shown and described.

(56) **References Cited**

U.S. PATENT DOCUMENTS

1,950,414 A	3/1934	Rifkin	70/2
1,950,415 A	3/1934	Rifkin	70/2
2,183,121 A	12/1939	Levine	70/68
2,741,114 A	4/1956	Poux	70/68
2,826,797 A	3/1958	Reeves et al.	24/205.11
3,070,986 A	1/1963	Hart	70/68
3,141,536 A	7/1964	Fulton	190/41
3,319,743 A *	5/1967	Pelavin et al.	190/120
3,557,954 A *	1/1971	Welch	210/614
3,580,016 A	5/1971	Kerr	70/68
3,653,236 A	4/1972	Kerr	70/68
3,759,073 A	9/1973	Rifkin	70/68
3,785,185 A	1/1974	Kerr	70/68
4,019,353 A	4/1977	Christopher	70/68
4,062,207 A	12/1977	Bonner	70/68
4,118,692 A *	10/1978	Fitchett	340/542
4,403,485 A	9/1983	Scherbing	70/68
4,514,884 A *	5/1985	Kaneko	24/386
4,661,990 A	4/1987	Rifkin	383/97
4,677,833 A	7/1987	Scherbing	70/68

DESCRIPTION

FIG. 1 is a top, rear and left side perspective view of a combination controlled cash bag lock showing my new design;

FIG. 2 is a reversed top plan view thereof;

FIG. 3 is a front elevational view thereof, it being understood that the rear elevational view is a mirror image thereof;

FIG. 4 is a left side elevational view thereof;

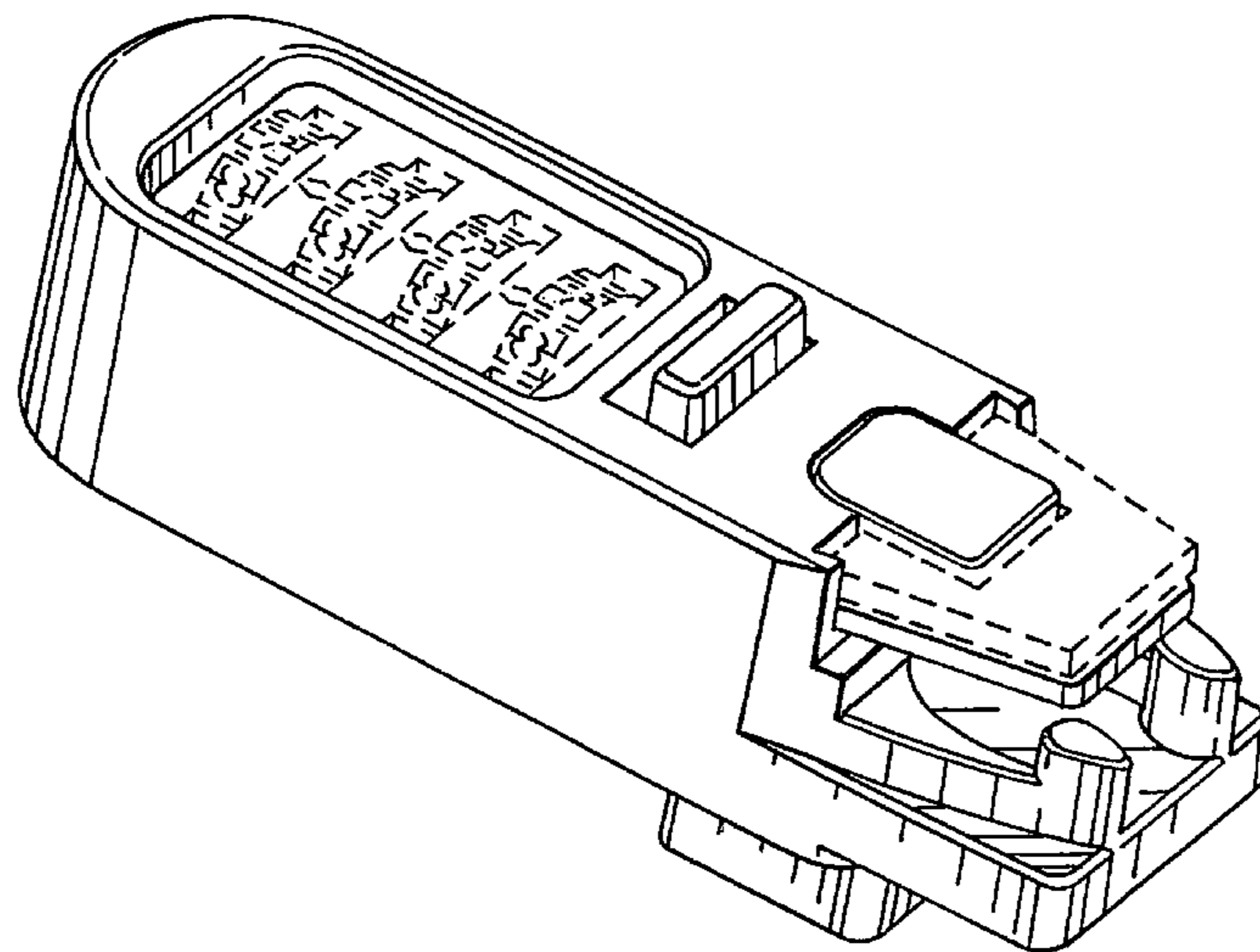
FIG. 5 is a right side elevational view thereof;

FIG. 6 is a bottom plan view thereof; and,

FIG. 7 is an enlarged left side elevational view thereof.

The broken line environment is for illustrative purpose only and forms no part of the claimed design. References used herein as front, rear, left, right; top and bottom are not meant for any particular in-use orientation and may be changed for different orientation of the claimed design as chosen by the user.

1 Claim, 3 Drawing Sheets



US D674,794 S

Page 2

U.S. PATENT DOCUMENTS

D524,139 S *	7/2006	Burns et al.	D8/302	2005/0251974 A1	11/2005	Baker	24/418
D526,931 S	8/2006	Koenig et al.	D11/221	2006/0254329 A1	11/2006	Yu	70/284
D593,841 S *	6/2009	Liang et al.	D8/343	2008/0196217 A1	8/2008	Eschbach	24/386
7,621,160 B2	11/2009	Thomson et al.	70/68	2008/0236212 A1	10/2008	Ma	70/77
D614,016 S *	4/2010	Zenner et al.	D8/331	2009/0077775 A1	3/2009	Burns et al.	24/386
2004/0237605 A1	12/2004	Lin et al.	70/68	2011/0278288 A1	11/2011	Fuller	220/6
2005/0072196 A1	4/2005	Ling et al.	70/284				

* cited by examiner

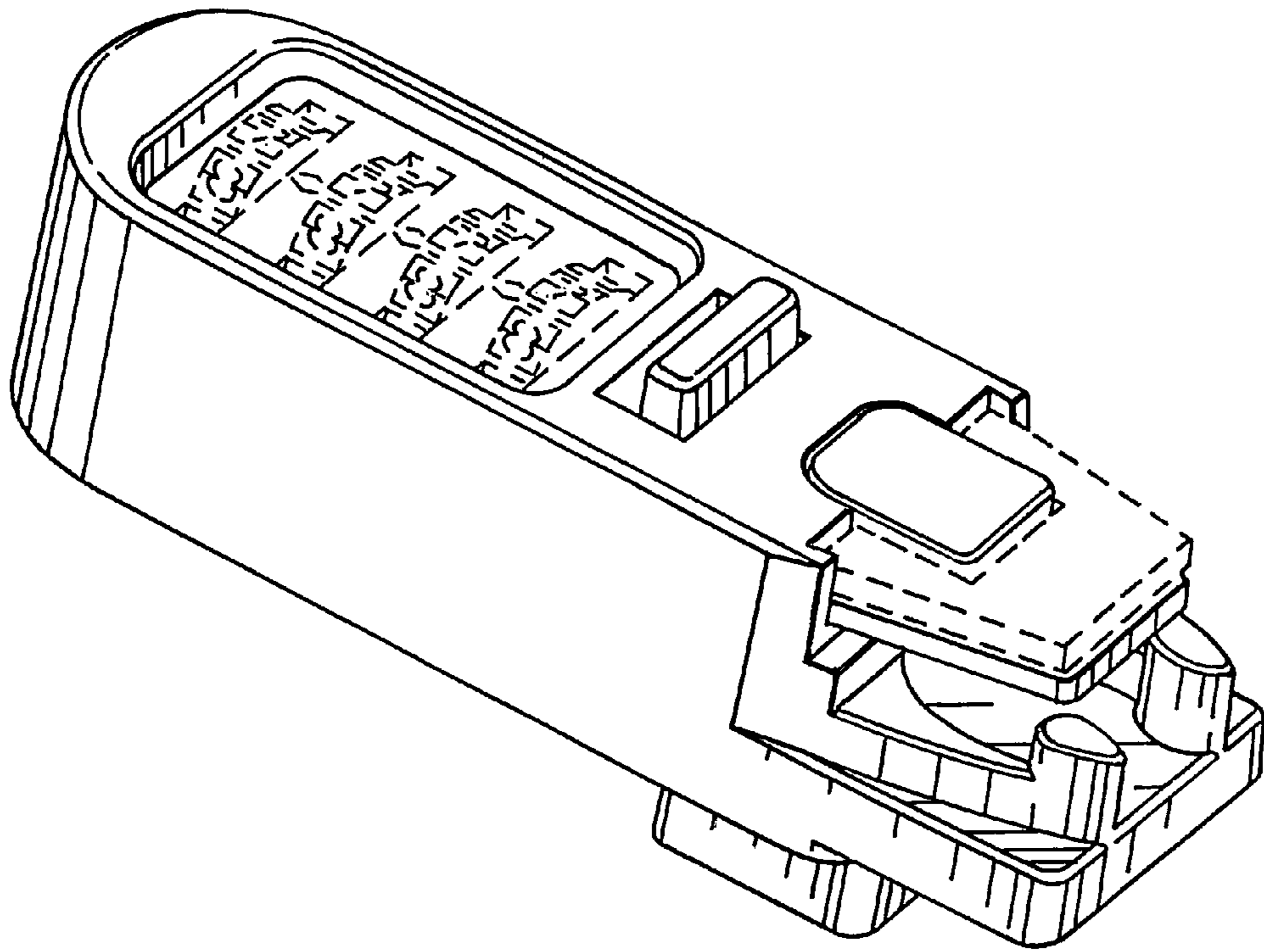


FIG. 1

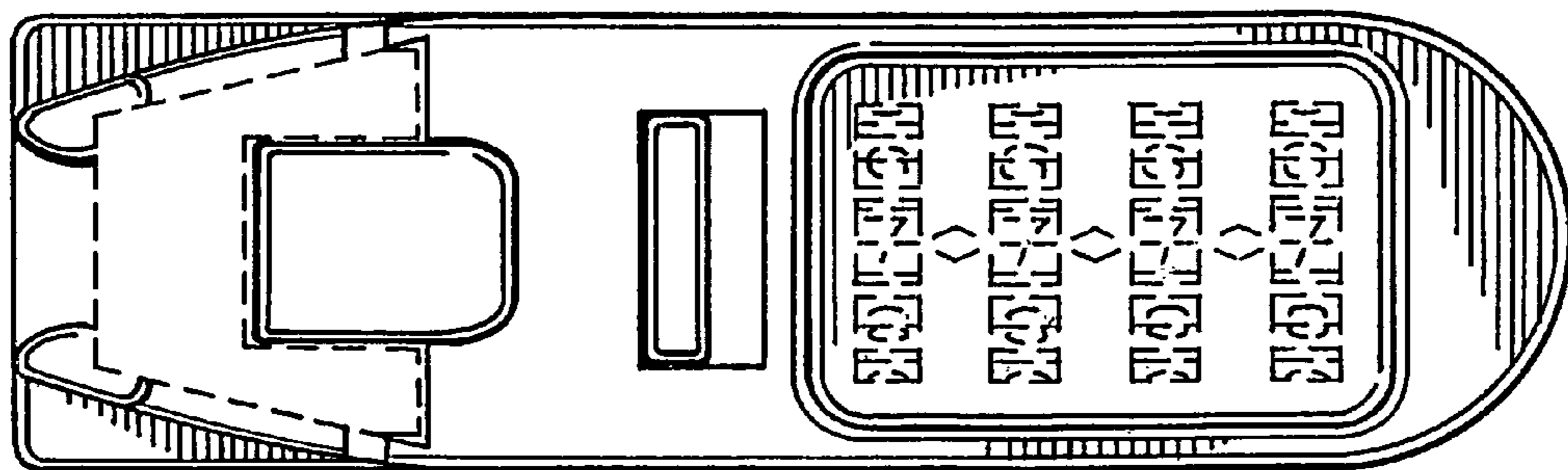


FIG. 2

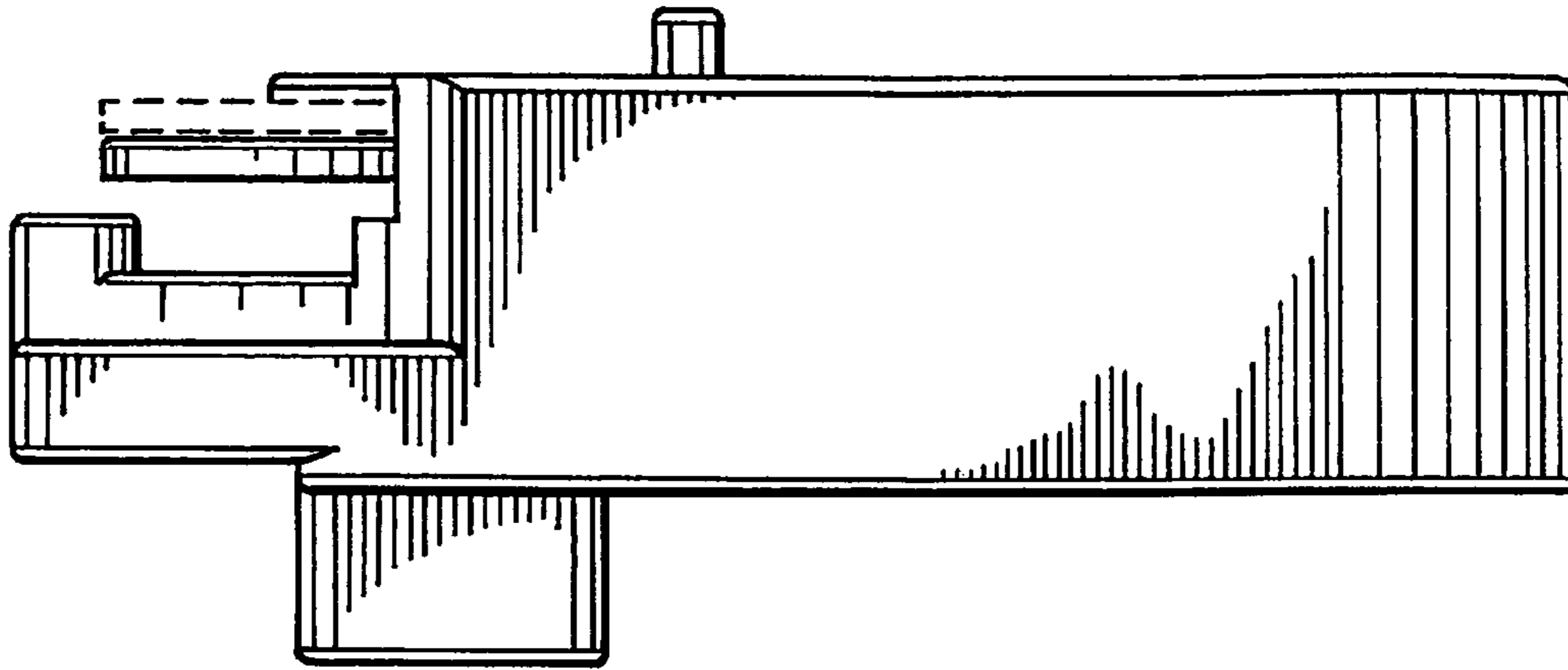


FIG. 3

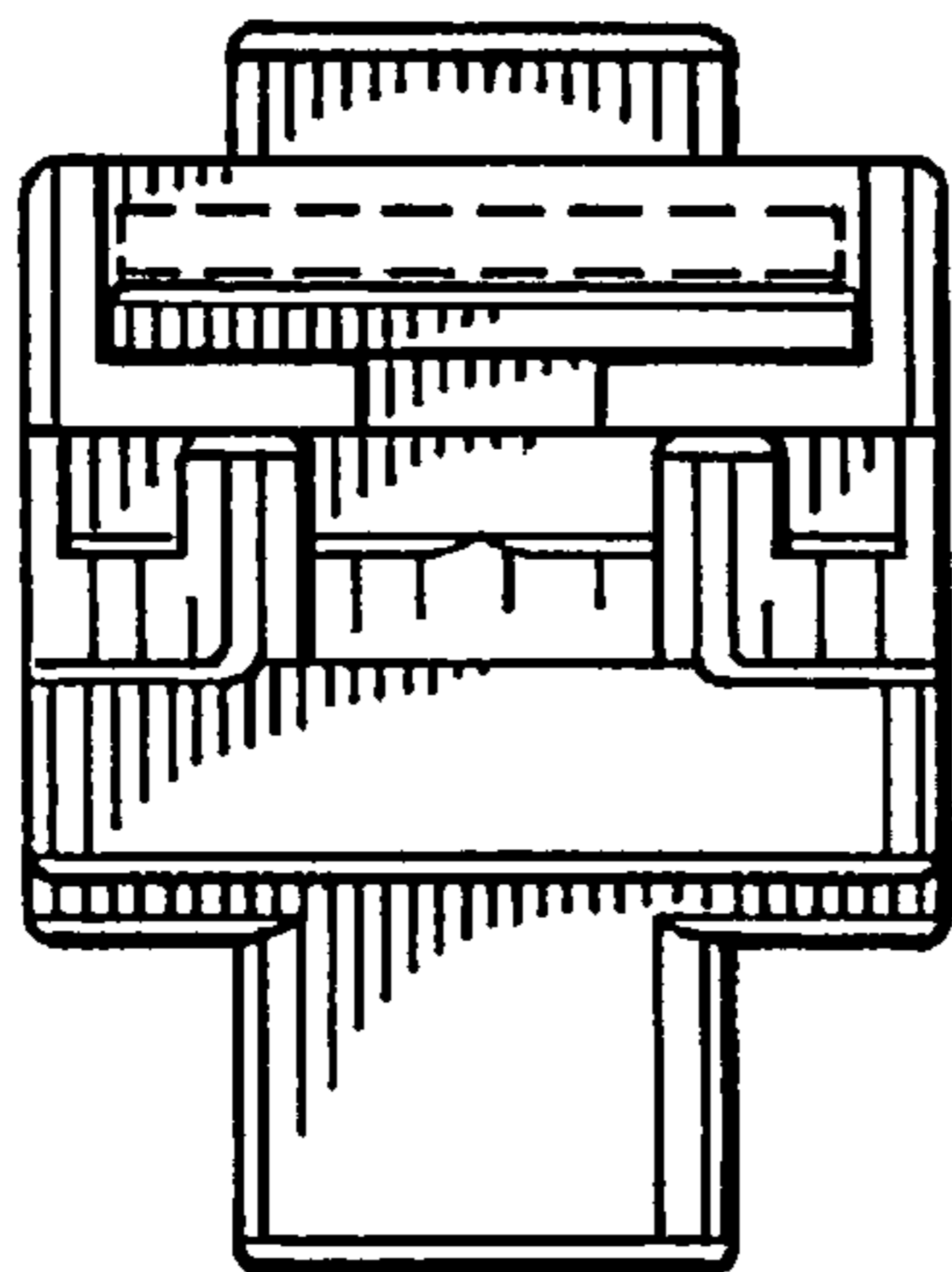


FIG. 4

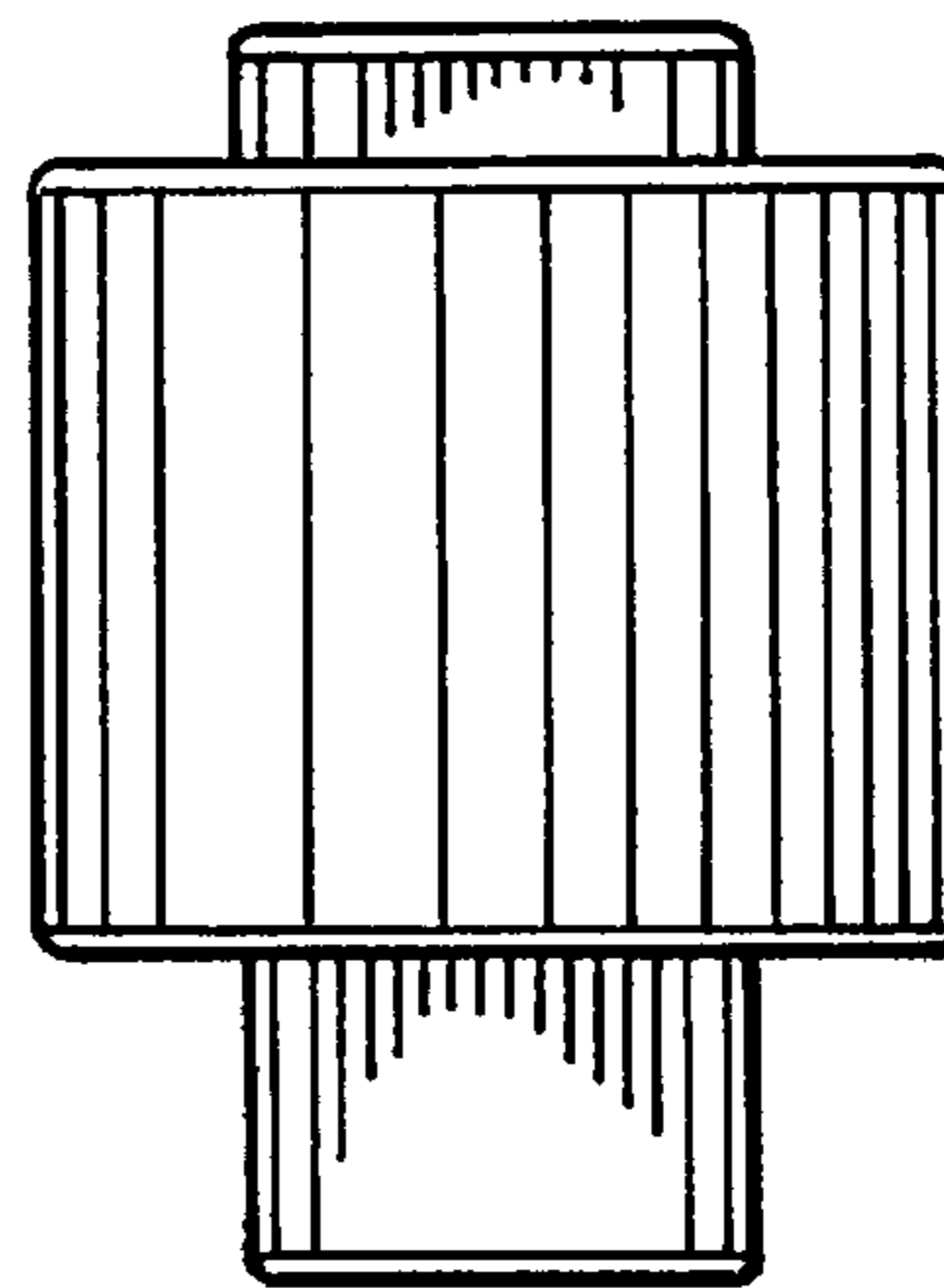


FIG. 5

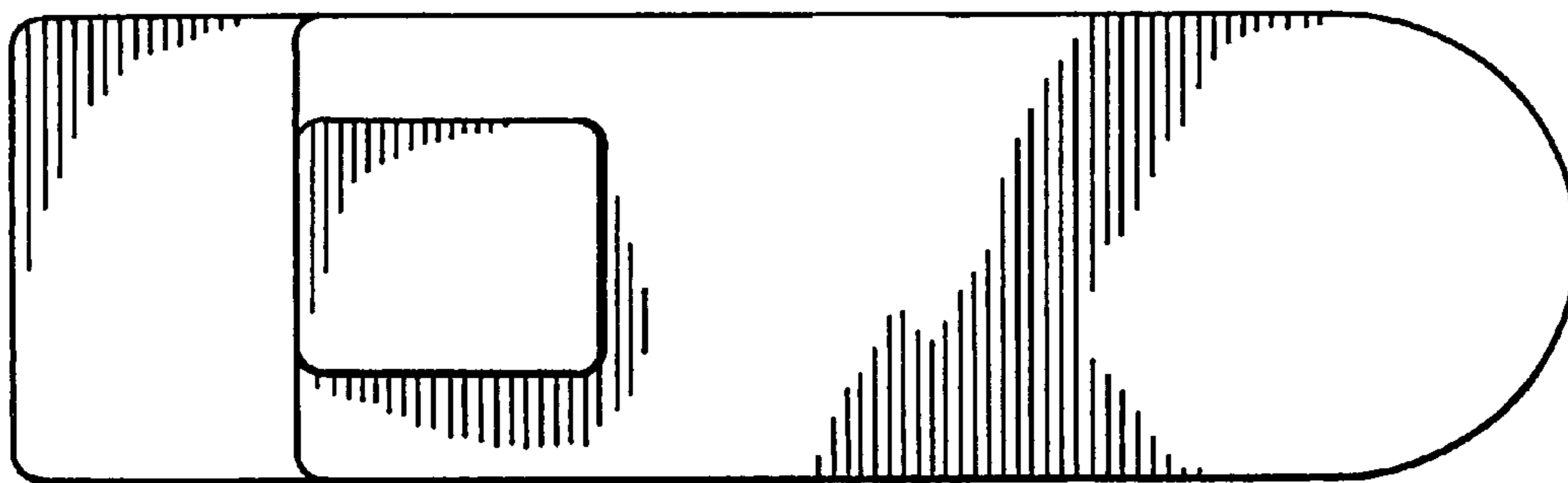


FIG. 6

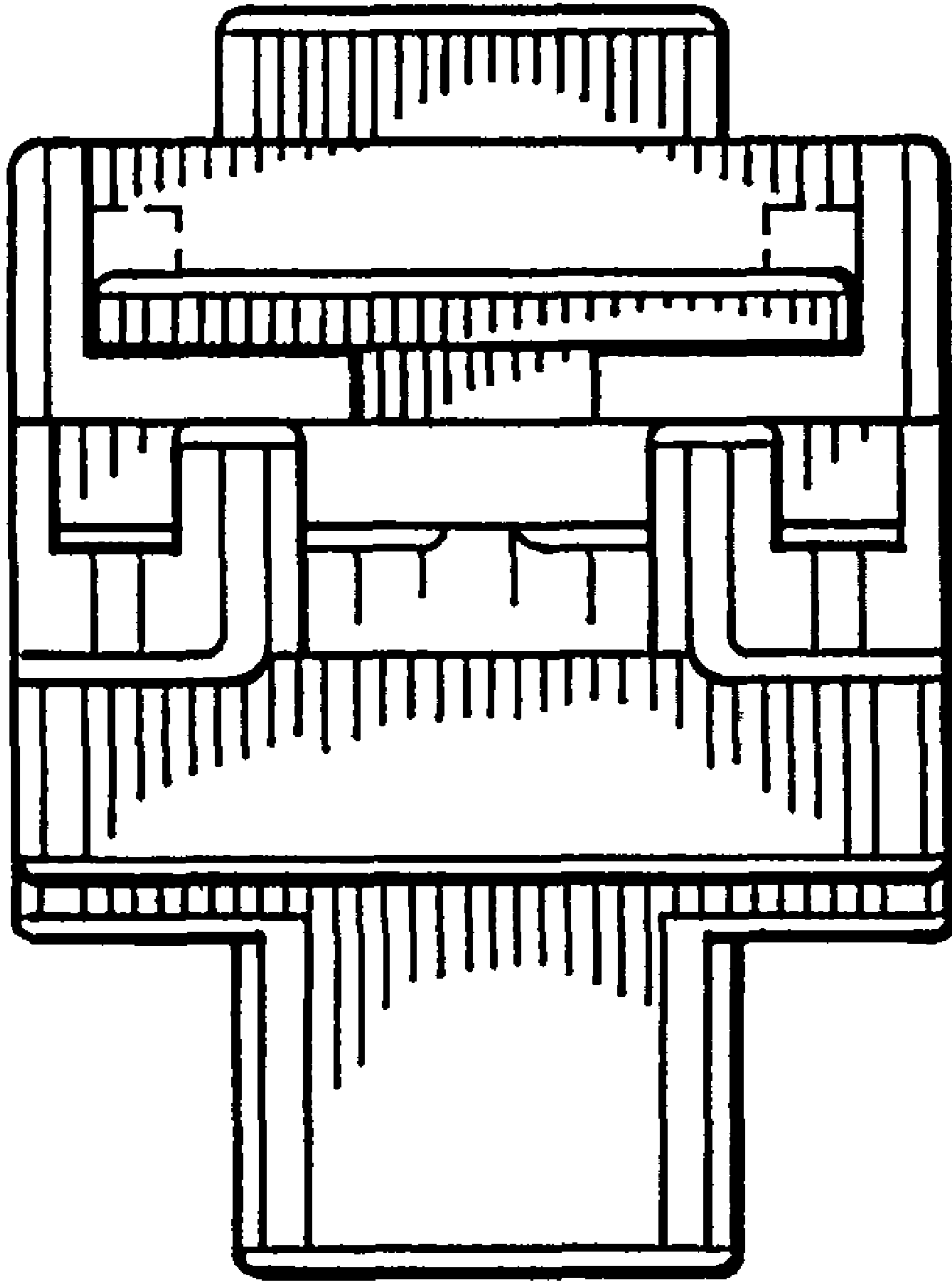


FIG. 7