



US00D674792S

(12) **United States Design Patent**
Magness

(10) **Patent No.:** **US D674,792 S**
(45) **Date of Patent:** **** Jan. 22, 2013**

(54) **CASE FOR ELECTRONIC DEVICE**

(75) Inventor: **Cameron Magness**, Fort Collins, CO
(US)

(73) Assignee: **Otter Products, LLC**, Fort Collins, CO
(US)

(**) Term: **14 Years**

(21) Appl. No.: **29/423,008**

(22) Filed: **May 25, 2012**

(51) **LOC (9) Cl.** **14-03**

(52) **U.S. Cl.** **D14/250**

(58) **Field of Classification Search** D14/250–253,
D14/440, 203.3–203.7, 217, 496, 248, 238.1,
D14/240, 447, 137, 138 AA, 138 R, 138 G,
D14/218, 341–347; D3/201, 218, 269, 301,
D3/273, 303, 103, 247; D13/103, 107–108,
D13/119; 220/4.02; 248/309.1; 361/679.56,
361/679.3, 679.25; 379/426, 433.11, 455;
455/575.1, 575.8; 206/305, 320

See application file for complete search history.

(56) **References Cited**

U.S. PATENT DOCUMENTS

| | | | | | | |
|-----------|---|---|---------|-------------------|-------|------------|
| D391,537 | S | * | 3/1998 | Maxwell | | D12/583 |
| D401,040 | S | * | 11/1998 | Schneider | | D2/951 |
| 5,896,277 | A | * | 4/1999 | Leon et al. | | 361/814 |
| D419,768 | S | * | 2/2000 | Richardson et al. | | D3/273 |
| D422,787 | S | * | 4/2000 | Feng | | D3/273 |
| D543,700 | S | * | 6/2007 | Parker et al. | | D3/294 |
| D556,750 | S | * | 12/2007 | Fitch et al. | | D14/346 |
| D597,046 | S | * | 7/2009 | Millora | | D14/138 AA |
| D610,807 | S | * | 3/2010 | Bau | | D3/269 |
| D618,161 | S | * | 6/2010 | Xu | | D12/566 |
| D618,196 | S | * | 6/2010 | Bang et al. | | D14/138 AA |
| D623,652 | S | * | 9/2010 | Hsu | | D14/439 |
| D630,420 | S | * | 1/2011 | Truelsen | | D2/951 |

| | | | | | | |
|--------------|----|---|---------|---------------------|-------|---------|
| 7,886,903 | B1 | * | 2/2011 | Wurzelbacher et al. | | 206/320 |
| D633,589 | S | * | 3/2011 | Fitzpatrick et al. | | D22/108 |
| D638,006 | S | * | 5/2011 | Chang | | D14/250 |
| D638,007 | S | * | 5/2011 | Chang | | D14/250 |
| D641,354 | S | * | 7/2011 | Hsu | | D14/341 |
| D662,925 | S | * | 7/2012 | Mayberry et al. | | D14/250 |
| 8,245,842 | B2 | * | 8/2012 | Bau | | 206/320 |
| 2010/0251590 | A1 | * | 10/2010 | Fitzpatrick et al. | | 42/50 |

OTHER PUBLICATIONS

TheAccessoryBlog review, “OtterBox introduces new Prefix Series Case for Samsung Galaxy S3,” published on Aug. 22, 2012, <URL:http://theaccessoryblog.com/2012/08/otterbox-introduces-new-prefix-series-case-for-samsung-galaxy-s3/>, retrieved from internet on Aug. 24, 2012.*

The iPad Guide review, “Hard Candy Squish Skin iPad Case” by Fred Straker, published on Jul. 1, 2012, <URL:http://www.theipadguide.com/reviews/review-hard-candy-squish-skin-ipad-case/7174735>, retrieved from internet on Aug. 24, 2012.*

* cited by examiner

Primary Examiner — Carla Jobe Wright

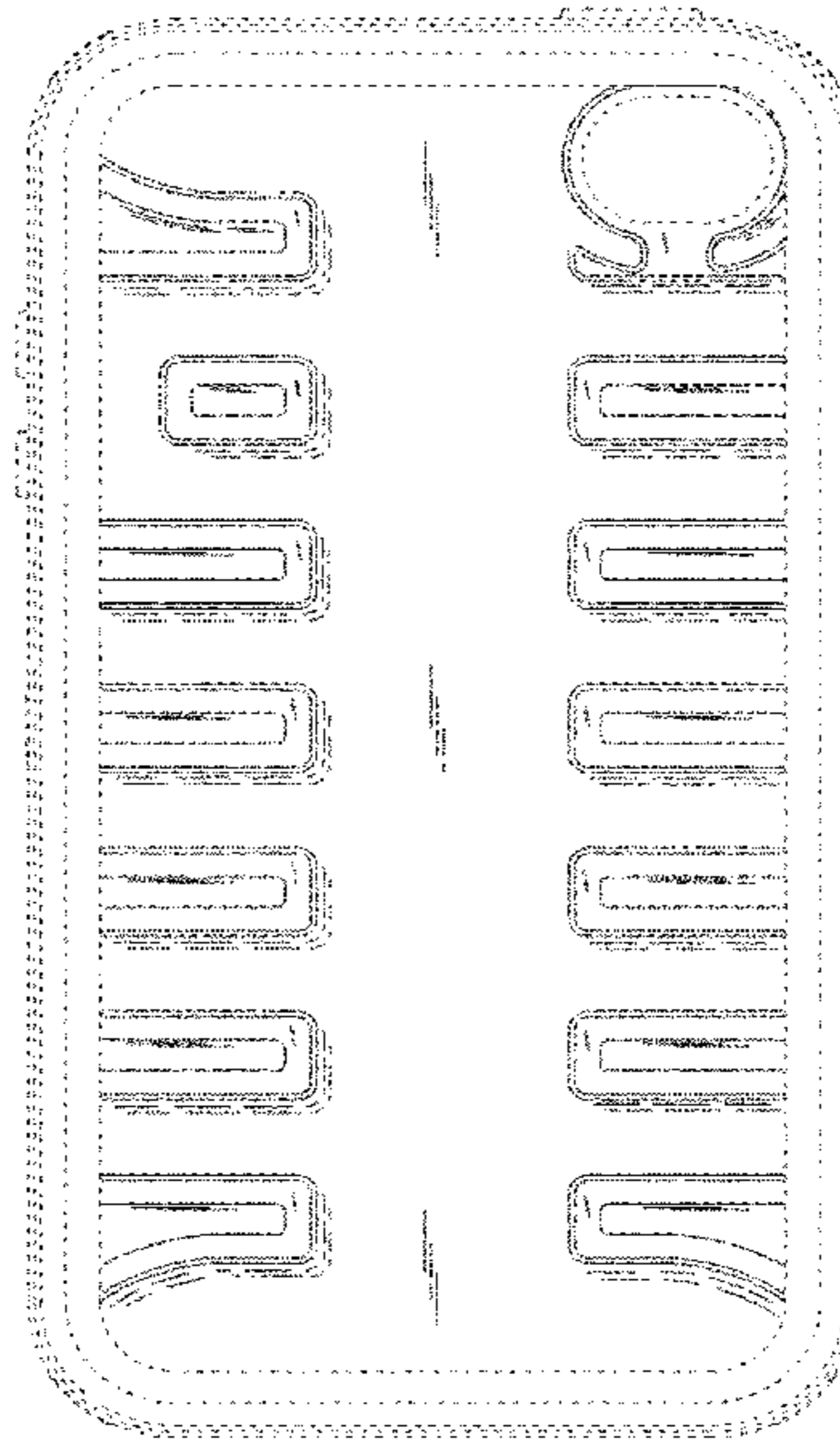
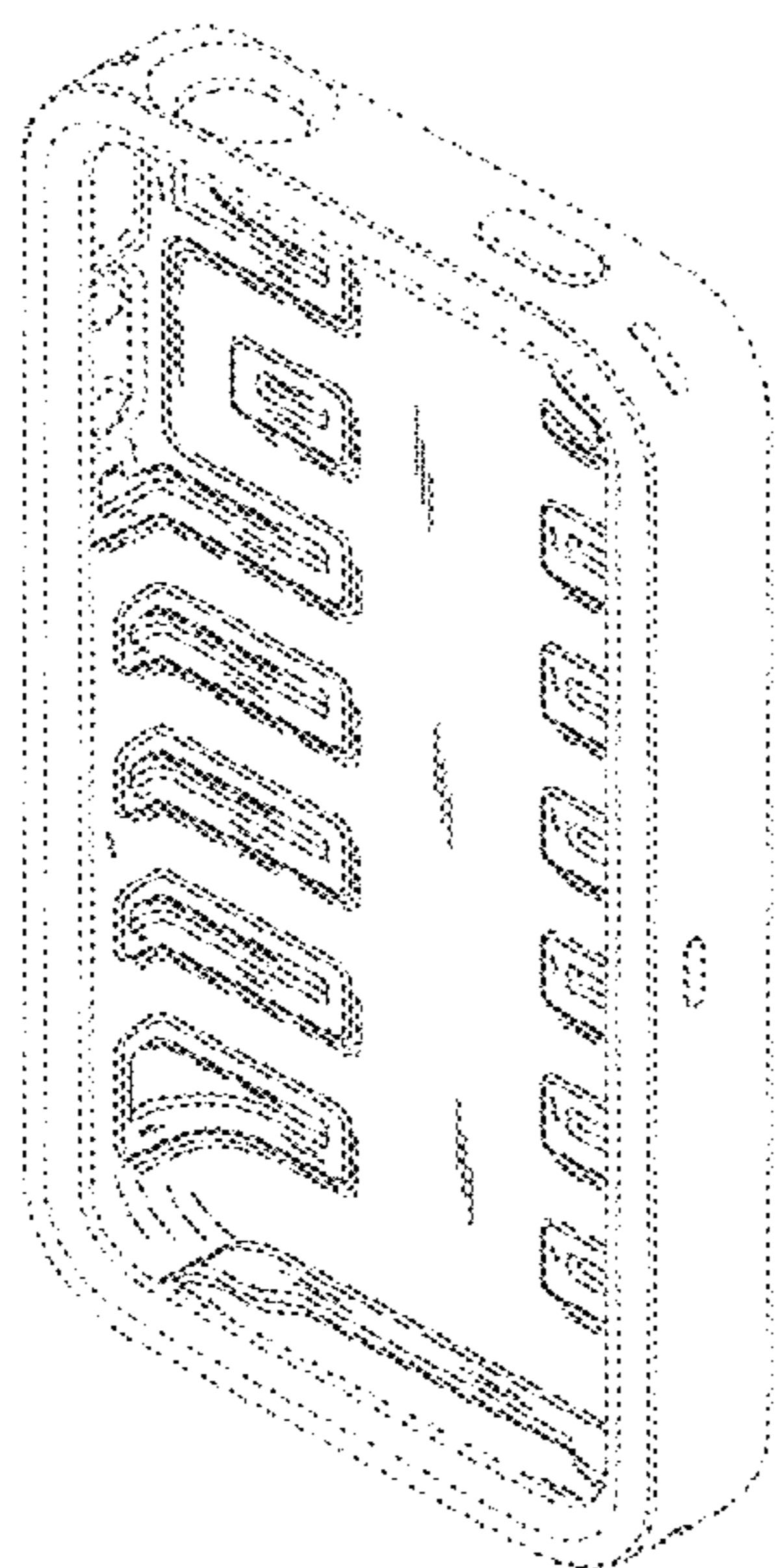
(57) **CLAIM**

The ornamental design for a case for electronic device, as shown and described.

DESCRIPTION

FIG. 1 is a front-left isometric view of a case for electronic device showing our new design; FIG. 2 is a front view thereof; FIG. 3 is a front-right isometric view thereof; and, FIG. 4 is a rear isometric view thereof. The broken lines immediately adjacent the shaded surfaces represent boundaries of the claimed design. All other broken lines depict unclaimed environment. The broken lines form no part of the claimed design.

1 Claim, 4 Drawing Sheets



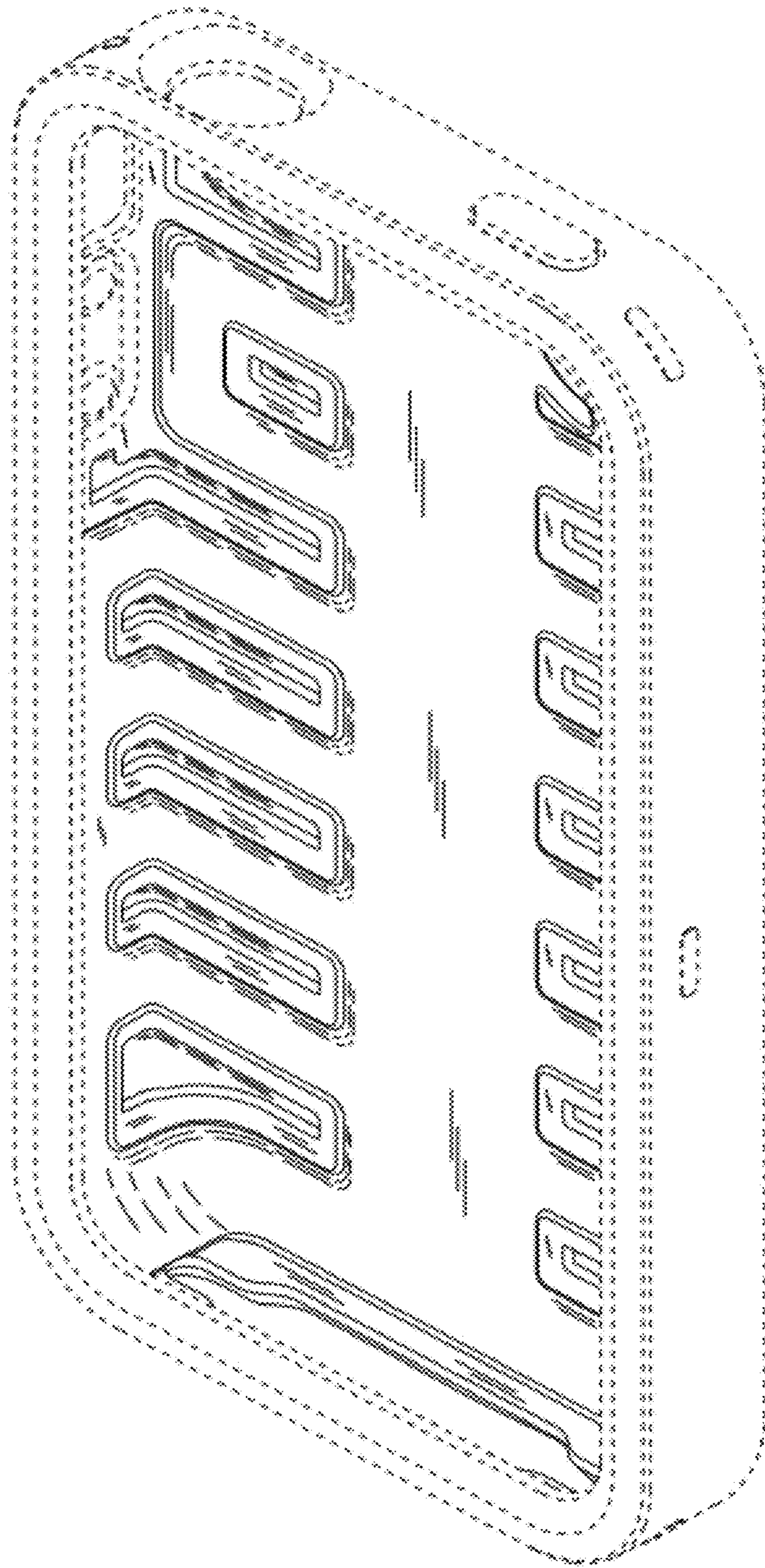


FIG. 1

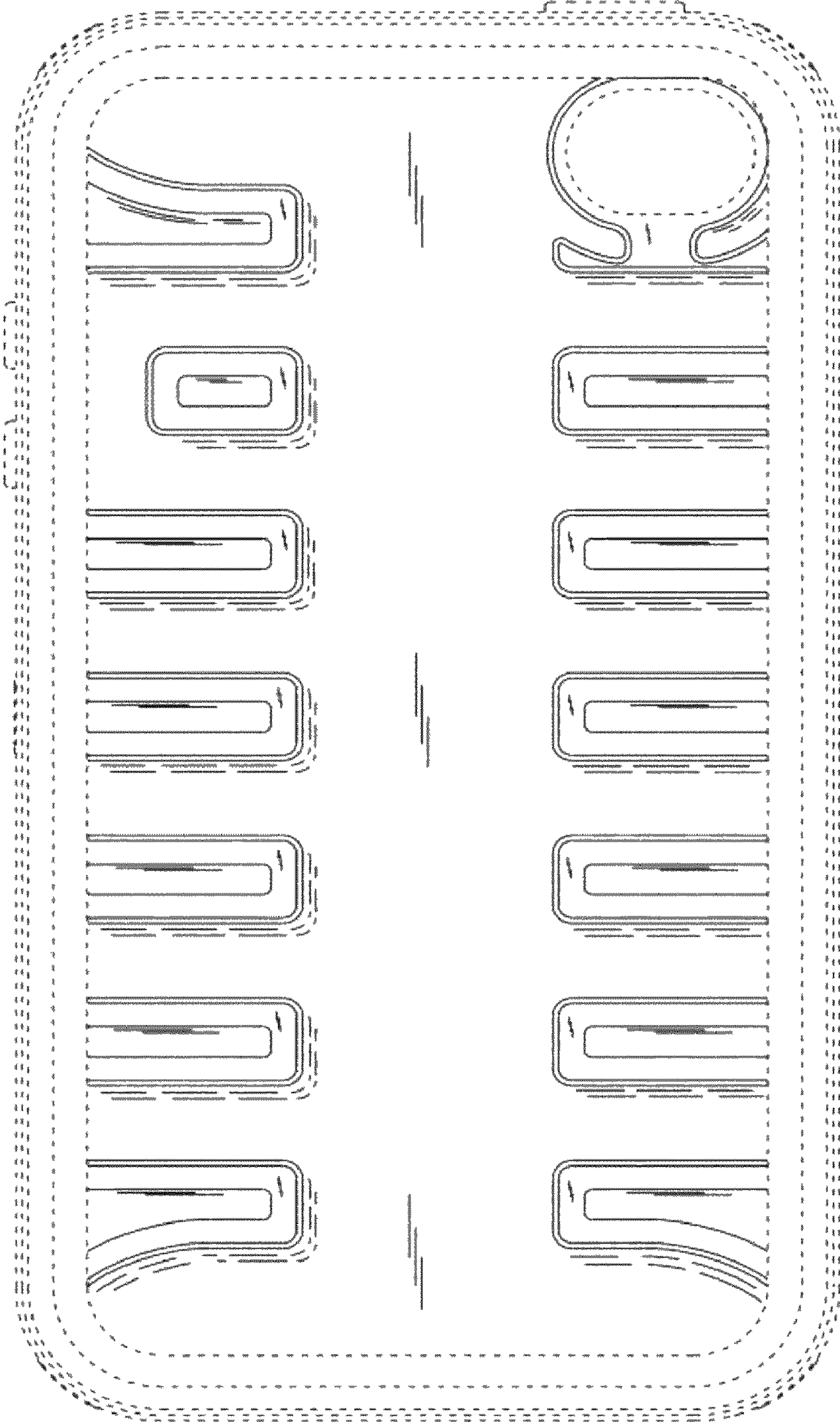


FIG. 2

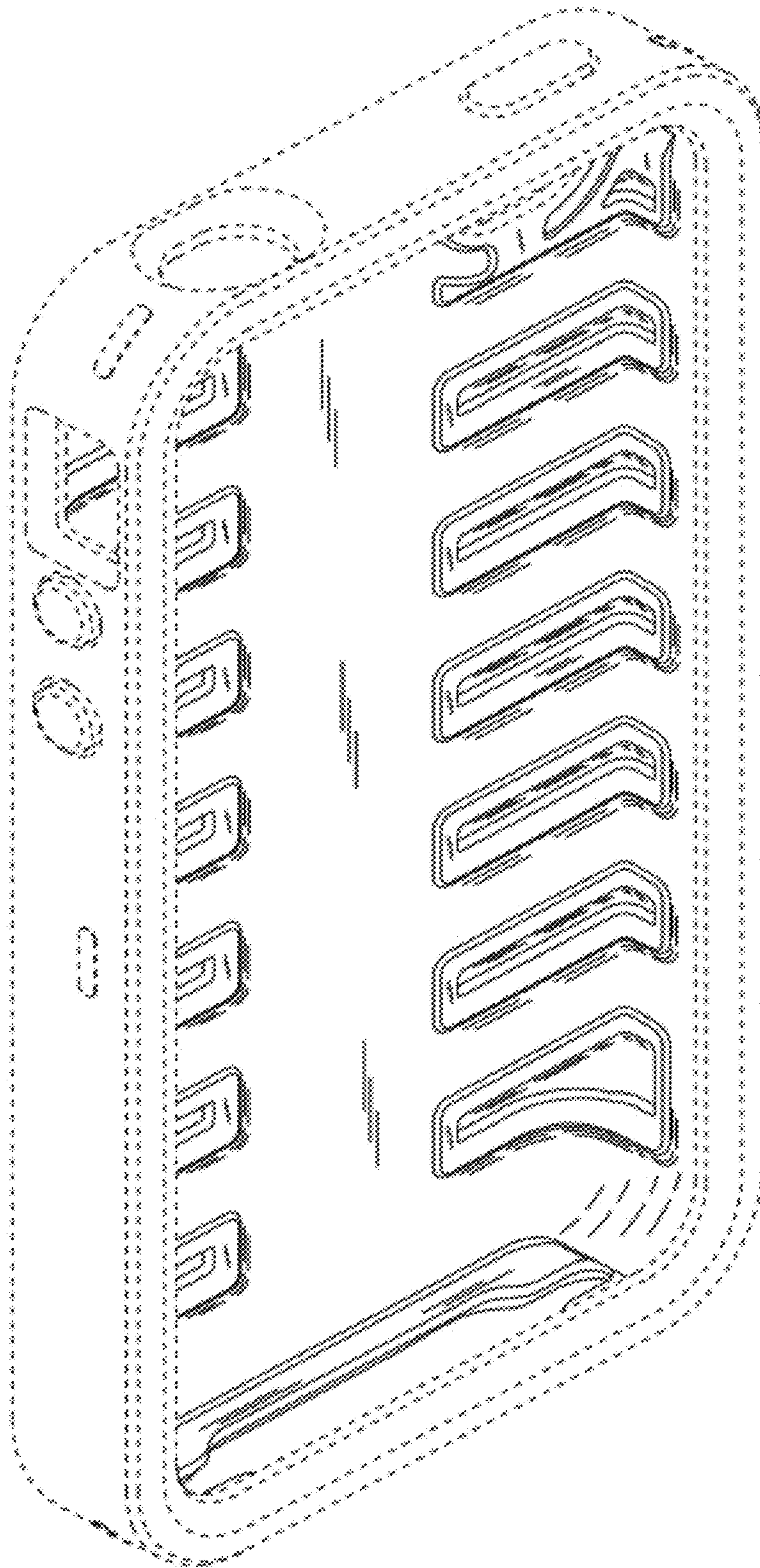


FIG. 3

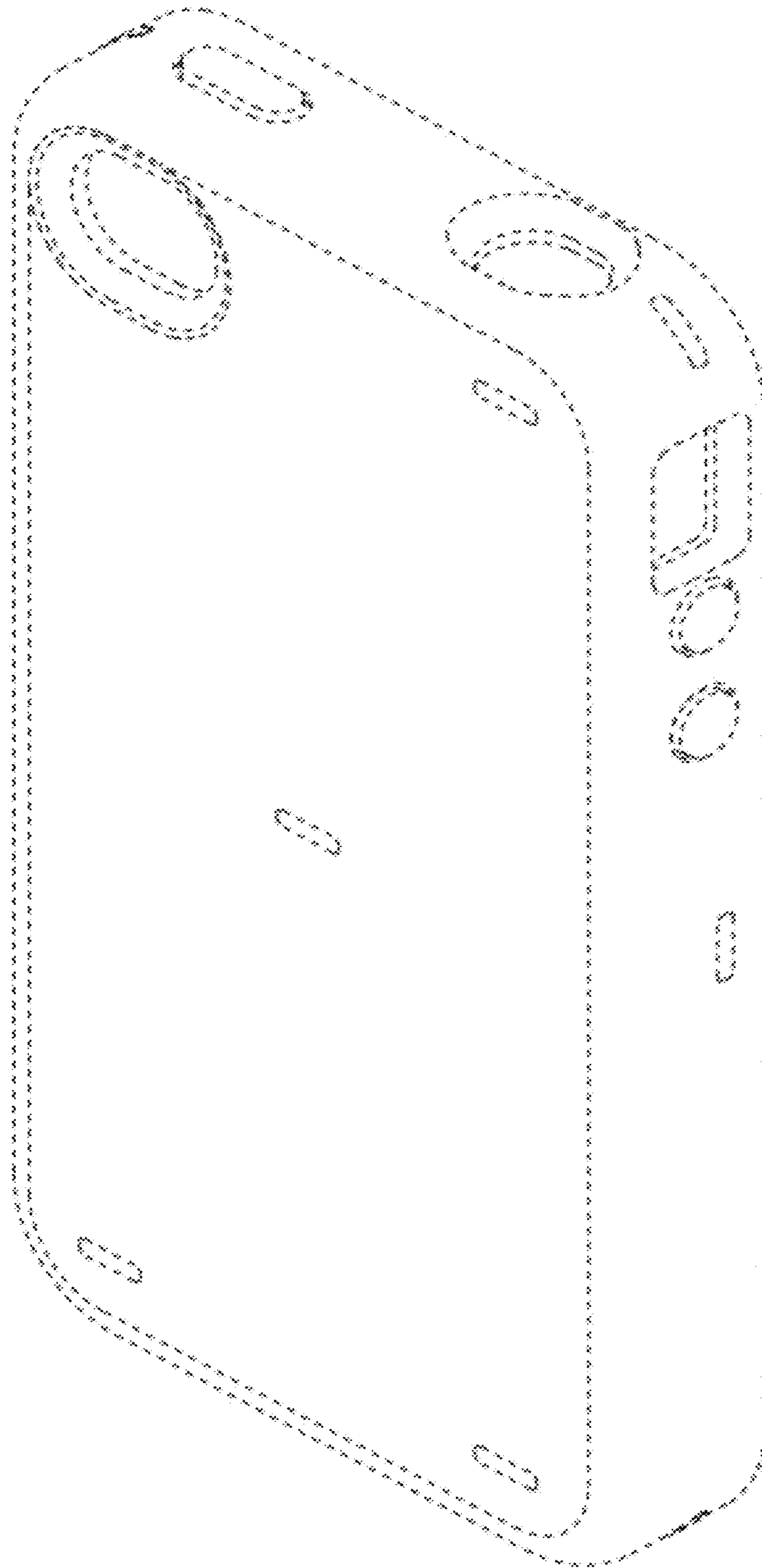


FIG. 4