



US00D674784S

(12) **United States Design Patent**
Choi

(10) **Patent No.:** **US D674,784 S**
(45) **Date of Patent:** **** Jan. 22, 2013**

(54) **SPEAKERPHONE**

(75) Inventor: **Peter Choi**, Gunpo-si (KR)

(73) Assignee: **GN Netcom A/S** (DK)

(**) Term: **14 Years**

(21) Appl. No.: **29/409,410**

(22) Filed: **Dec. 22, 2011**

(30) **Foreign Application Priority Data**

Jul. 28, 2011 (EM) 001897562-0001

(51) **LOC (9) Cl.** **14-03**

(52) **U.S. Cl.** **D14/240**

(58) **Field of Classification Search** D14/240,
D14/242, 357, 358, 140-140.9, 155, 137,
D14/139, 243, 348, 349, 351, 354, 355; 375/222;
455/557; 725/111

See application file for complete search history.

(56) **References Cited**

U.S. PATENT DOCUMENTS

D478,576 S *	8/2003	Leong	D14/240
D492,665 S *	7/2004	Lee	D14/218
D579,010 S *	10/2008	Tseng	D14/242
D588,588 S *	3/2009	Dayan	D14/240
D589,531 S *	3/2009	Fullerton	D14/496
D591,751 S *	5/2009	Ku	D14/435
D608,767 S *	1/2010	Liner	D14/225

D613,273 S *	4/2010	Liner et al.	D14/223
D632,283 S *	2/2011	Cheng	D14/225
D633,496 S *	3/2011	Busri et al.	D14/358
D638,409 S *	5/2011	Walter	D14/240
D656,133 S *	3/2012	Wang et al.	D14/240
D662,921 S *	7/2012	Clements et al.	D14/243

* cited by examiner

Primary Examiner — Bridget L Eland

(74) *Attorney, Agent, or Firm* — Altera Law Group LLC

(57) **CLAIM**

The ornamental design for a speakerphone, as shown and described.

DESCRIPTION

FIG. 1 is a bottom perspective view of the speakerphone.

FIG. 2 is a front view thereof.

FIG. 3 is a back view thereof.

FIG. 4 is a top view thereof.

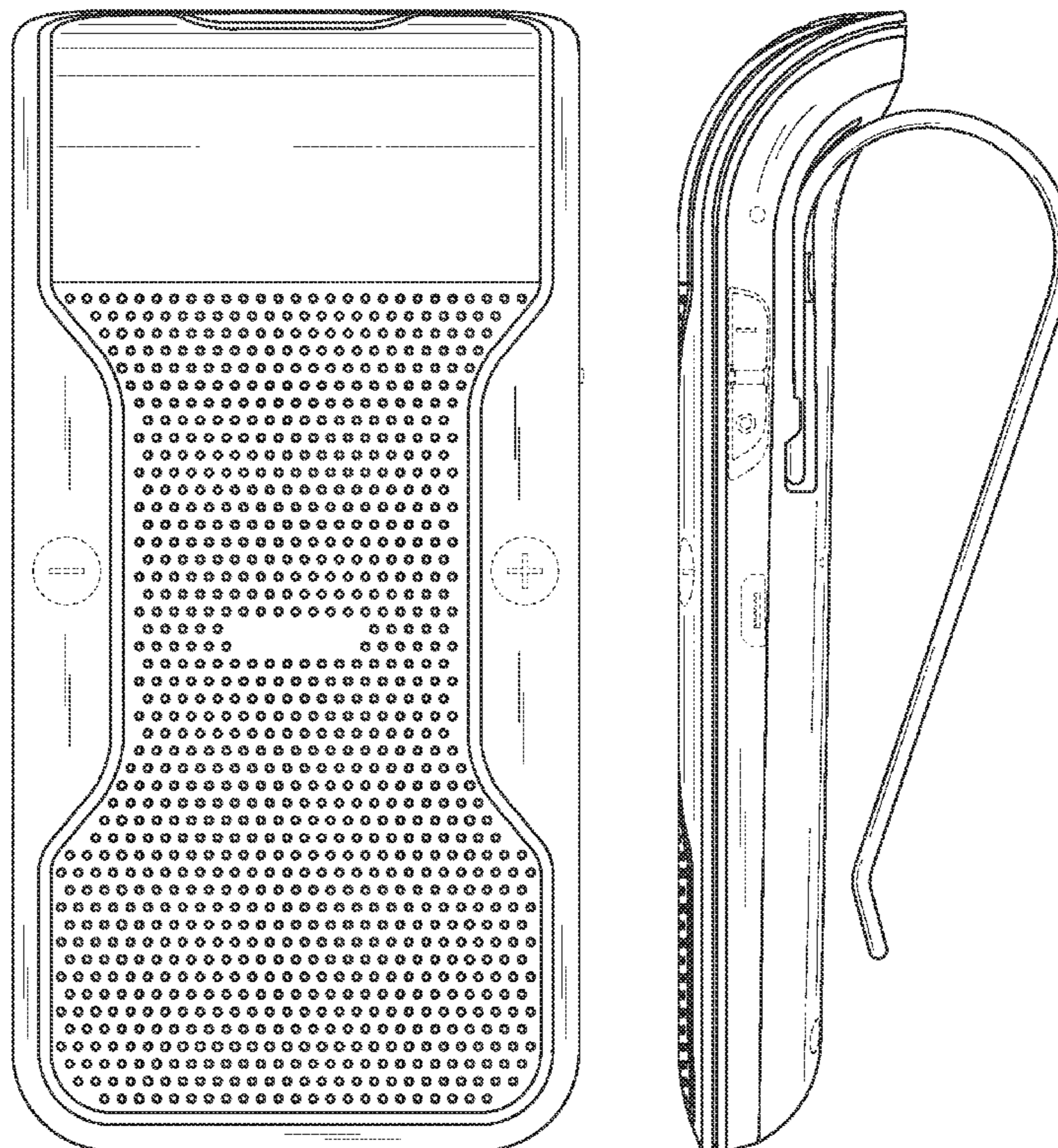
FIG. 5 is a bottom view thereof.

FIG. 6 is a side view thereof; and,

FIG. 7 is the other side view thereof.

The broken lines immediately adjacent the shaded areas represent the bounds of the claimed design while all other broken lines are directed to environment and are for illustrative purposes only; the broken lines form no part of the claimed design.

1 Claim, 6 Drawing Sheets



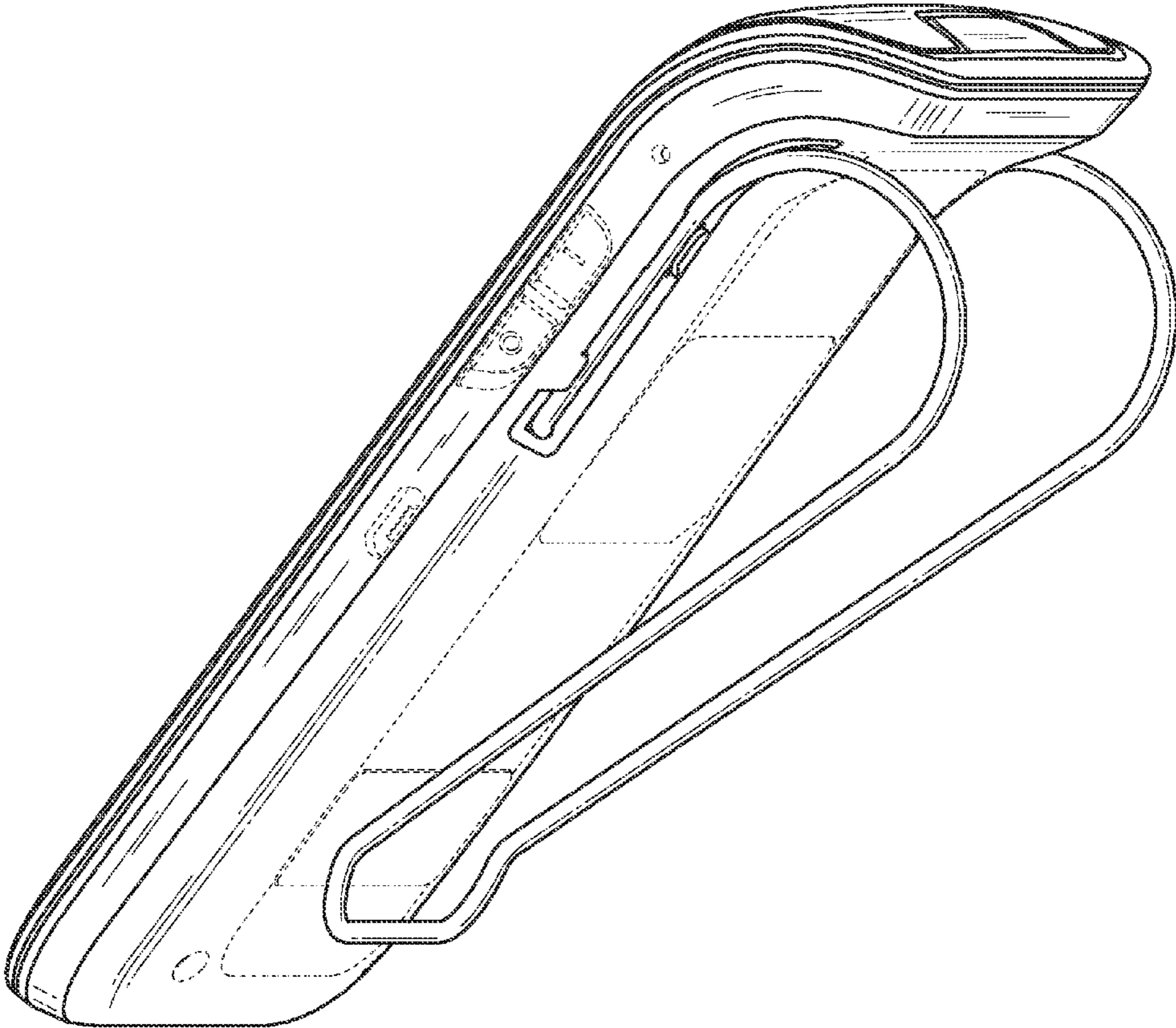


Fig. 1

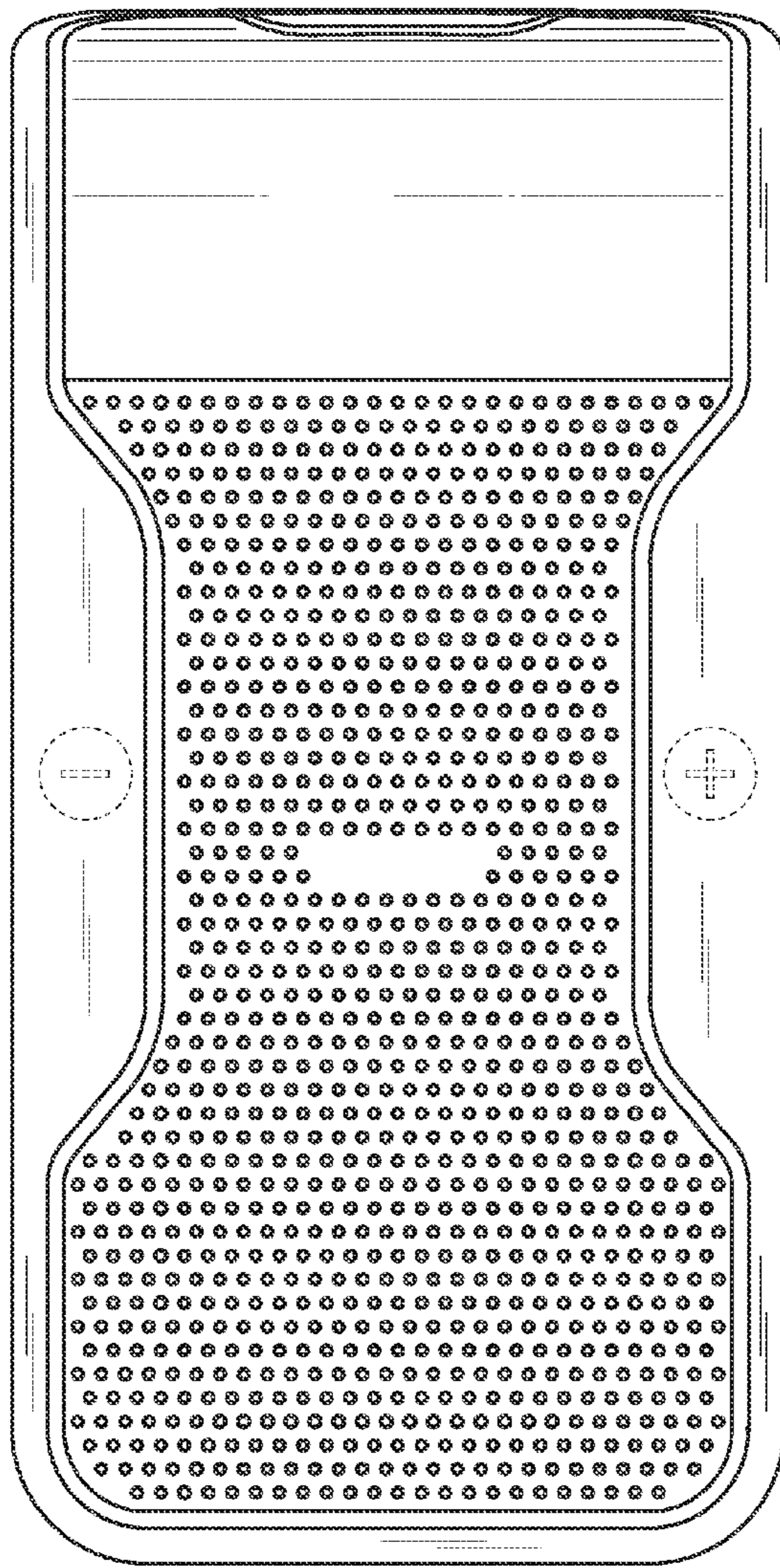


Fig. 2

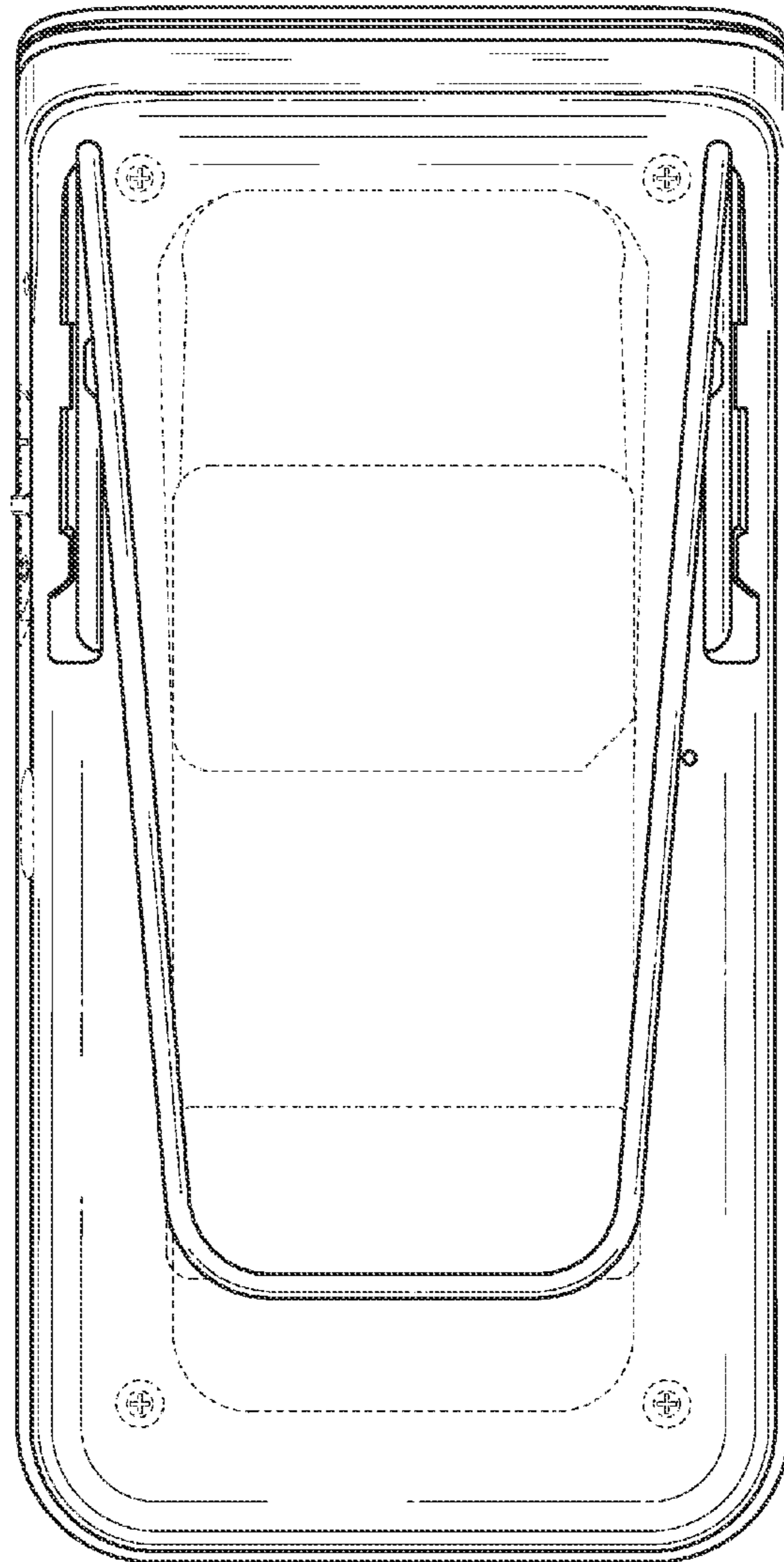


Fig. 3

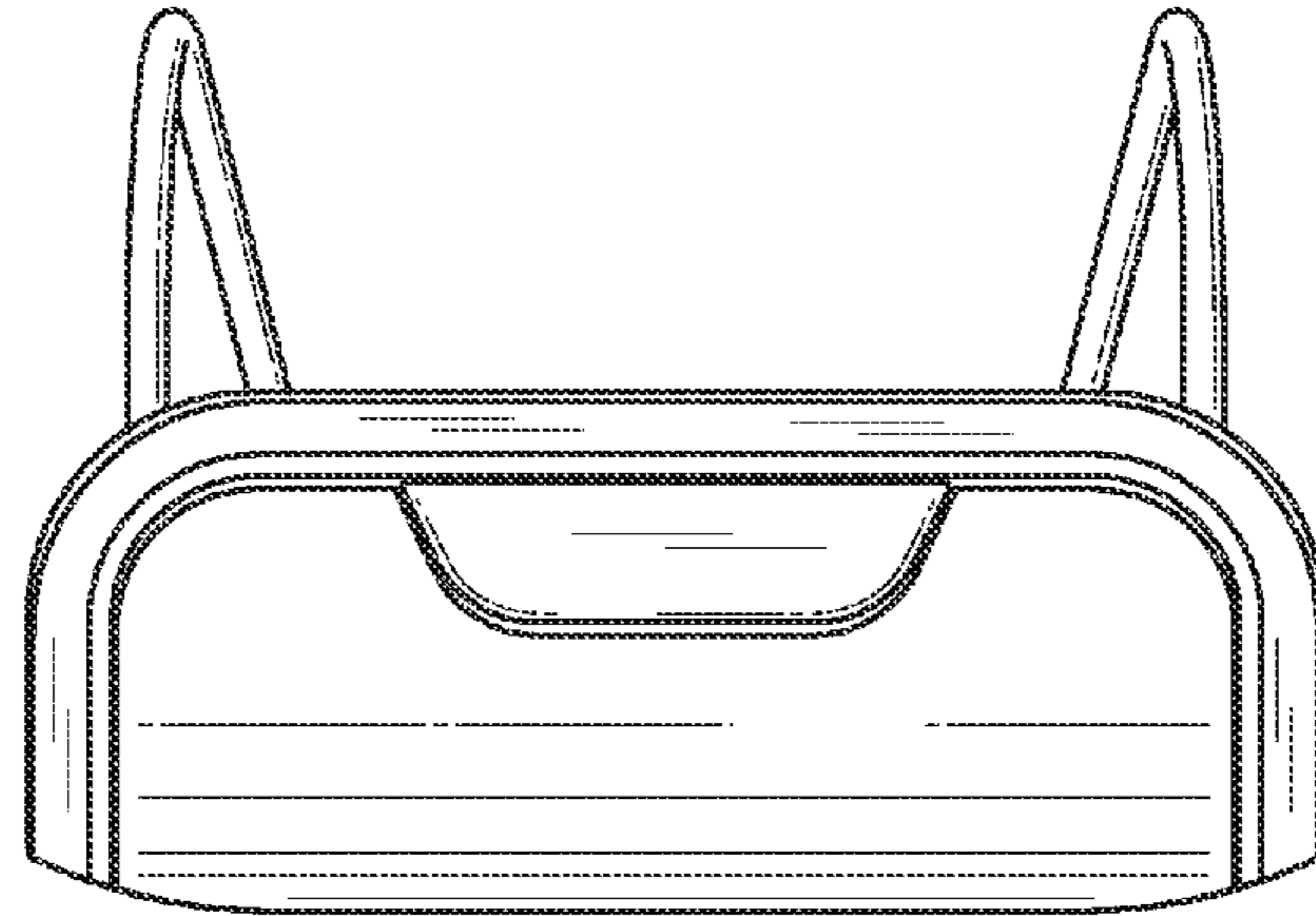


Fig. 4

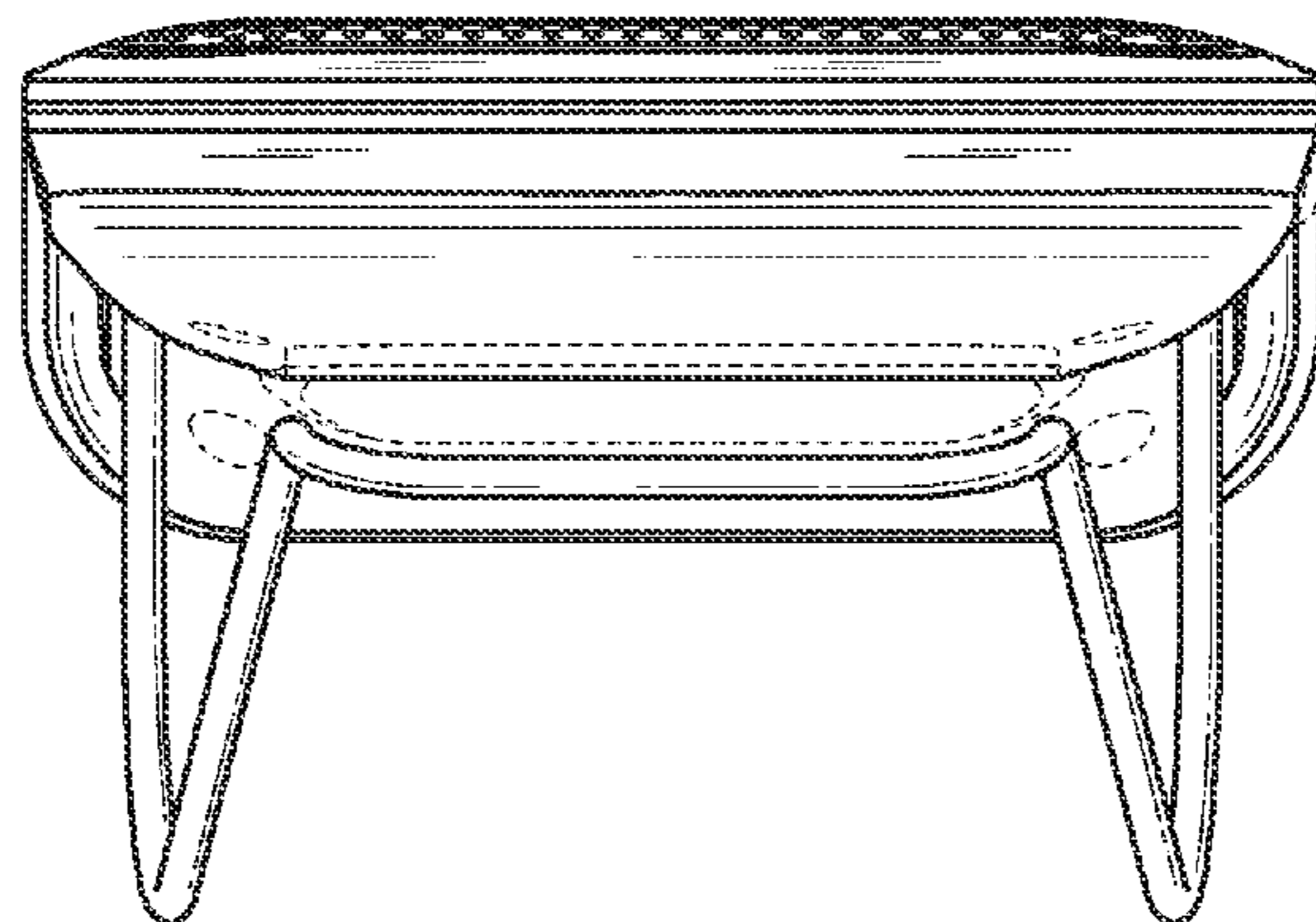


Fig. 5

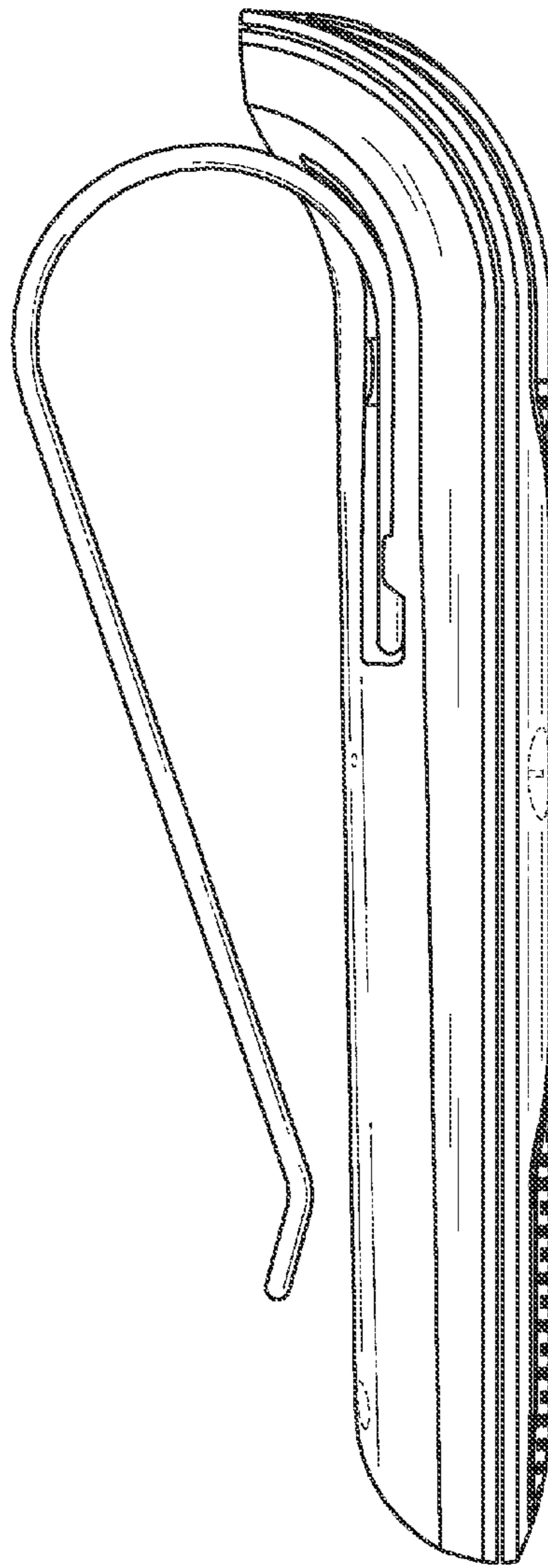


Fig. 6

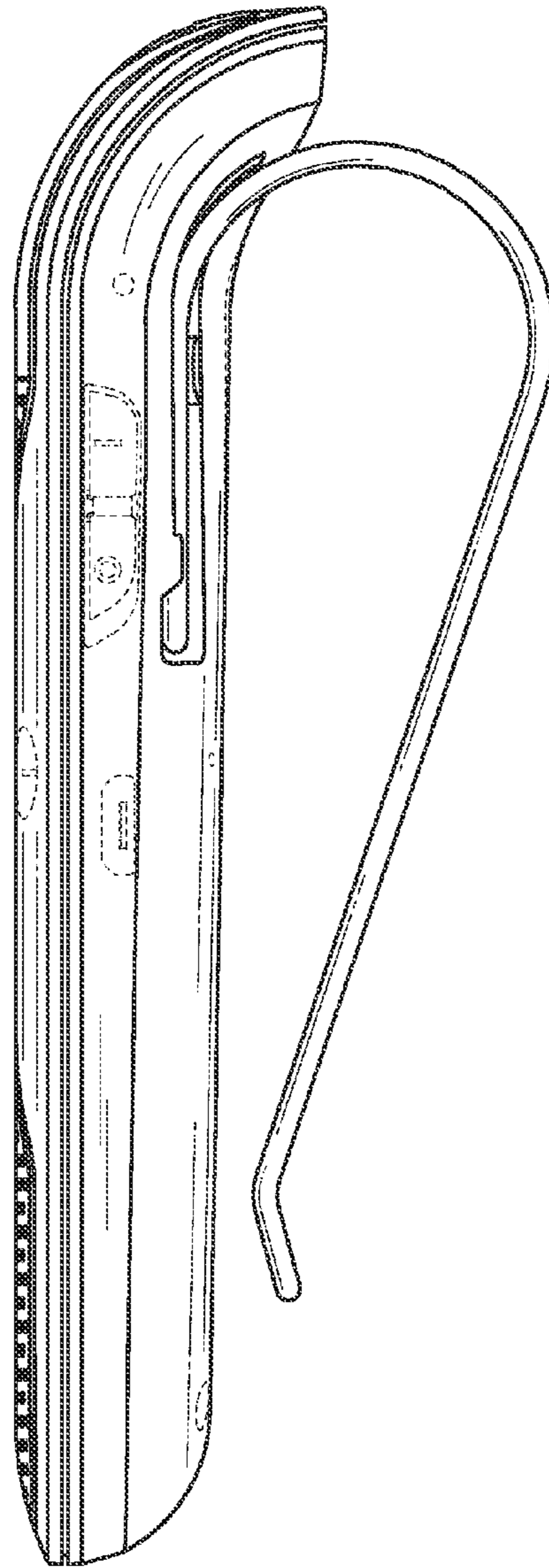


Fig. 7