

US00D674783S

(12) **United States Design Patent**
Dolack

(10) **Patent No.:** **US D674,783 S**
(45) **Date of Patent:** **** Jan. 22, 2013**

(54) **MOUNT PORTION FOR USE WITH AUDIO/VISUAL DEVICES OR THE LIKE**

(75) Inventor: **Joseph Dolack**, Westmont, IL (US)

(73) Assignee: **Peerless Industries, Inc.**, Aurora, IL (US)

(**) Term: **14 Years**

(21) Appl. No.: **29/428,876**

(22) Filed: **Aug. 3, 2012**

Related U.S. Application Data

(63) Continuation of application No. 29/392,589, filed on May 24, 2011, now Pat. No. Des. 667,391.

(51) **LOC (9) Cl.** **14-03**

(52) **U.S. Cl.** **D14/239**

(58) **Field of Classification Search** D14/125-134, D14/239, 371, 136, 374-377; D8/363, 373, D8/349, 394; 248/465, 917-924, 123.11; 348/825, 827, 836, 837, 838, 180, 184, 325, 348/739; 600/443; D6/477-479, 407, 474, D6/460, 461, 468; 312/7.2; 341/12; 345/87, 345/104, 133, 156, 168, 169, 173; 720/605, 720/669, 600, 655; 369/99, 197; 455/344-347; 349/1, 2, 11, 62; 108/59, 91, 92, 96; 211/40, 211/41.12, 42, 49.1, 50, 85.2, 90.04, 187, 211/190, 119.003, 134.153, 87.01, 71.01
See application file for complete search history.

(56) **References Cited**

U.S. PATENT DOCUMENTS

D400,085 S	10/1998	Haskin
D488,708 S	4/2004	Lam et al.
D489,599 S	5/2004	Lam
D496,367 S	9/2004	Pfister
D505,858 S	6/2005	O'Keene
D506,205 S	6/2005	Boele
6,905,101 B1	6/2005	Dittmer
7,028,961 B1	4/2006	Dittmer et al.

7,152,836 B2	12/2006	Pfister et al.
7,178,775 B2	2/2007	Pfister et al.
D543,210 S	5/2007	Stenhouse et al.
D543,211 S	5/2007	Petrick et al.
7,243,892 B2	7/2007	Pfister
D558,560 S	1/2008	Ciungan
D558,561 S	1/2008	Ciungan
D558,562 S	1/2008	Ciungan et al.
D558,563 S	1/2008	Ciungan
D558,564 S	1/2008	Ciungan
D559,087 S	1/2008	Ciungan

(Continued)

OTHER PUBLICATIONS

U.S. Appl. No. 29/385,507, filed Feb. 15, 2011, Molter et al.

(Continued)

Primary Examiner — Raphael Barkai

Assistant Examiner — Randall Gholson

(74) *Attorney, Agent, or Firm* — Foley & Lardner LLP

(57) **CLAIM**

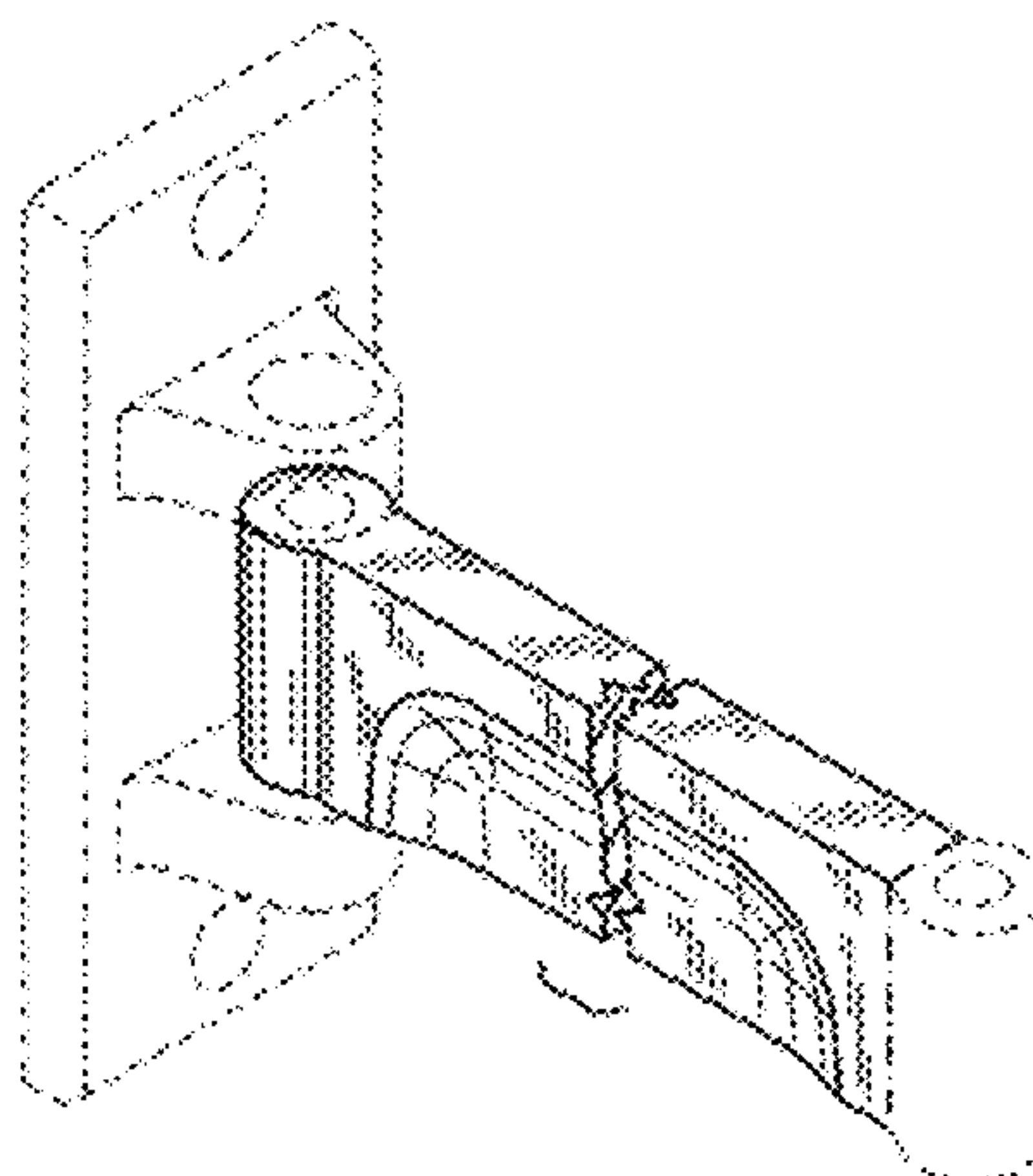
I claim the ornamental design for a mount portion for use with audio/visual devices or the like, as shown and described.

DESCRIPTION

FIG. 1 is a top perspective view of a mount portion for use with audio/visual devices or the like showing my new design, wherein the break line indicates indeterminate length; FIG. 2 is a left side elevational view thereof; FIG. 3 is a right side elevational view thereof; FIG. 4 is a top plan view thereof; FIG. 5 is a bottom plan view thereof; FIG. 6 is a front elevational view thereof; and, FIG. 7 is a rear elevational view thereof.

The ornamental design which is claimed is shown in solid lines in the drawings. The dash-dot-dash lines define a boundary of the claimed design. The dash lines in the drawings are for illustrative purposes only and form no part of the claimed design.

1 Claim, 3 Drawing Sheets



US D674,783 S

Page 2

U.S. PATENT DOCUMENTS

D559,088 S 1/2008 Ciungan
D562,113 S 2/2008 Ciungan et al.
D563,774 S * 3/2008 Wohlford et al. D8/363
7,380,760 B2 6/2008 Dittmer
D595,723 S 7/2009 Bures et al.
D623,177 S 9/2010 Molter et al.
D623,634 S 9/2010 Molter et al.
D623,635 S 9/2010 Molter et al.
D627,767 S 11/2010 Molter et al.
D630,197 S 1/2011 Molter et al.
D630,623 S 1/2011 Molter et al.
D631,038 S 1/2011 Molter et al.
D631,874 S 2/2011 Molter et al.
D631,876 S 2/2011 Molter et al.
D632,287 S 2/2011 Molter et al.

D633,484 S 3/2011 Molter et al.
D634,607 S 3/2011 Molter et al.
D634,739 S 3/2011 Molter et al.
D636,765 S 4/2011 Molter et al.
D640,672 S 6/2011 Molter et al.
D640,673 S 6/2011 Molter et al.
D640,675 S 6/2011 Molter et al.
D643,835 S 8/2011 Molter et al.
D650,373 S 12/2011 Stemple
D652,030 S 1/2012 Dolack
D656,493 S 3/2012 Dolack

OTHER PUBLICATIONS

U.S. Appl. No. 29/384,265, filed Jan. 28, 2011 Molter et al.

* cited by examiner

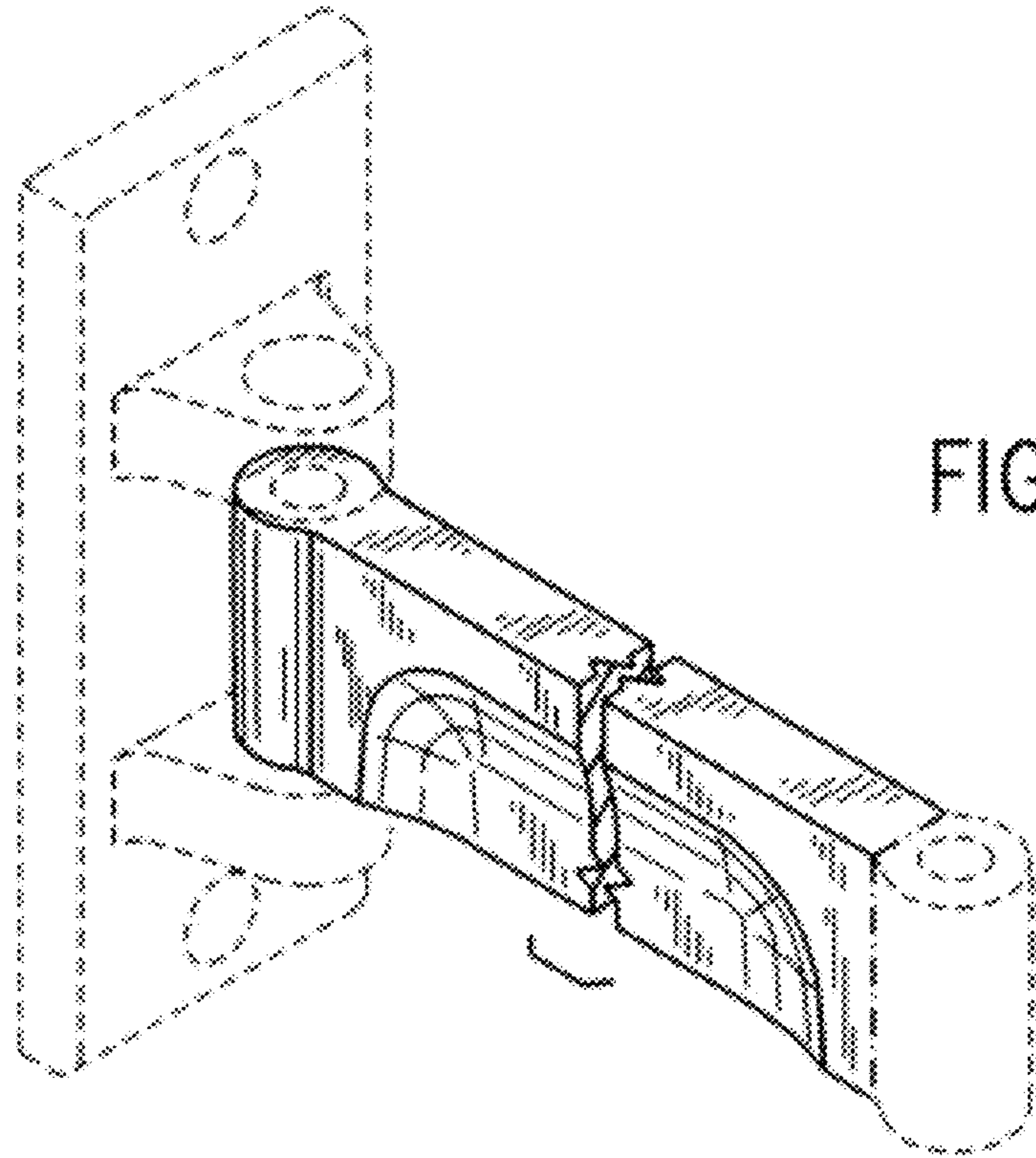


FIG. 1

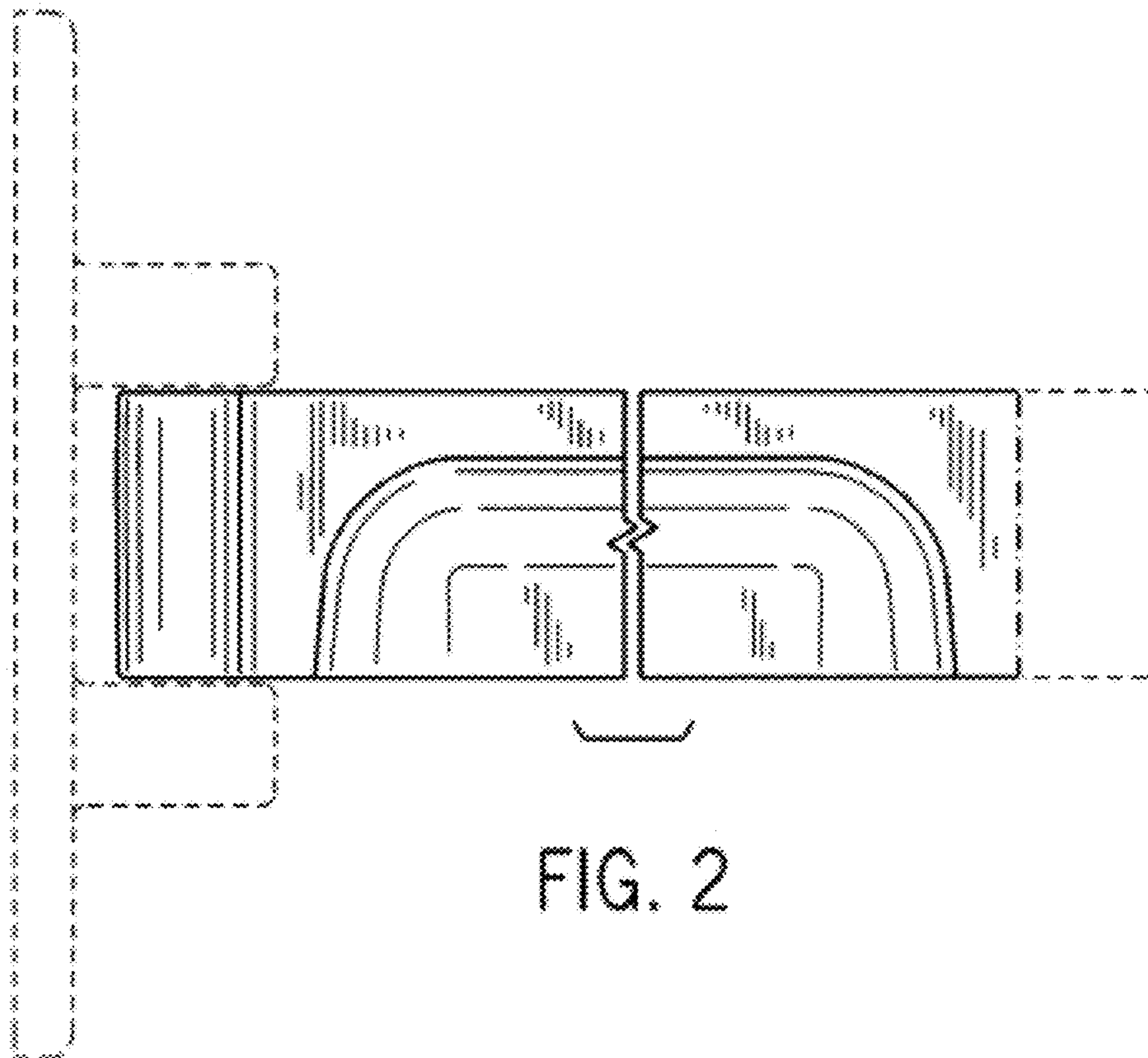


FIG. 2

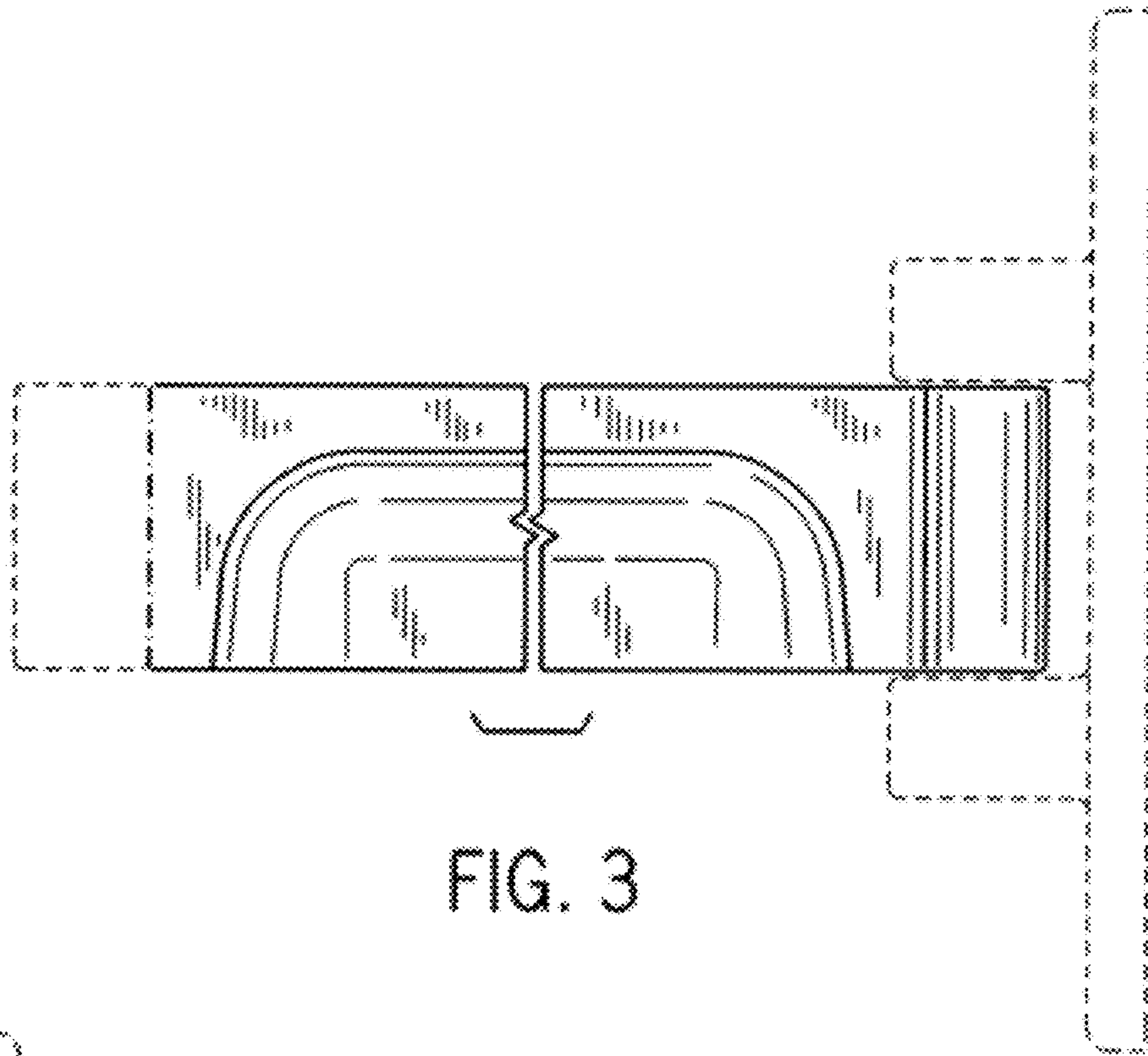


FIG. 3

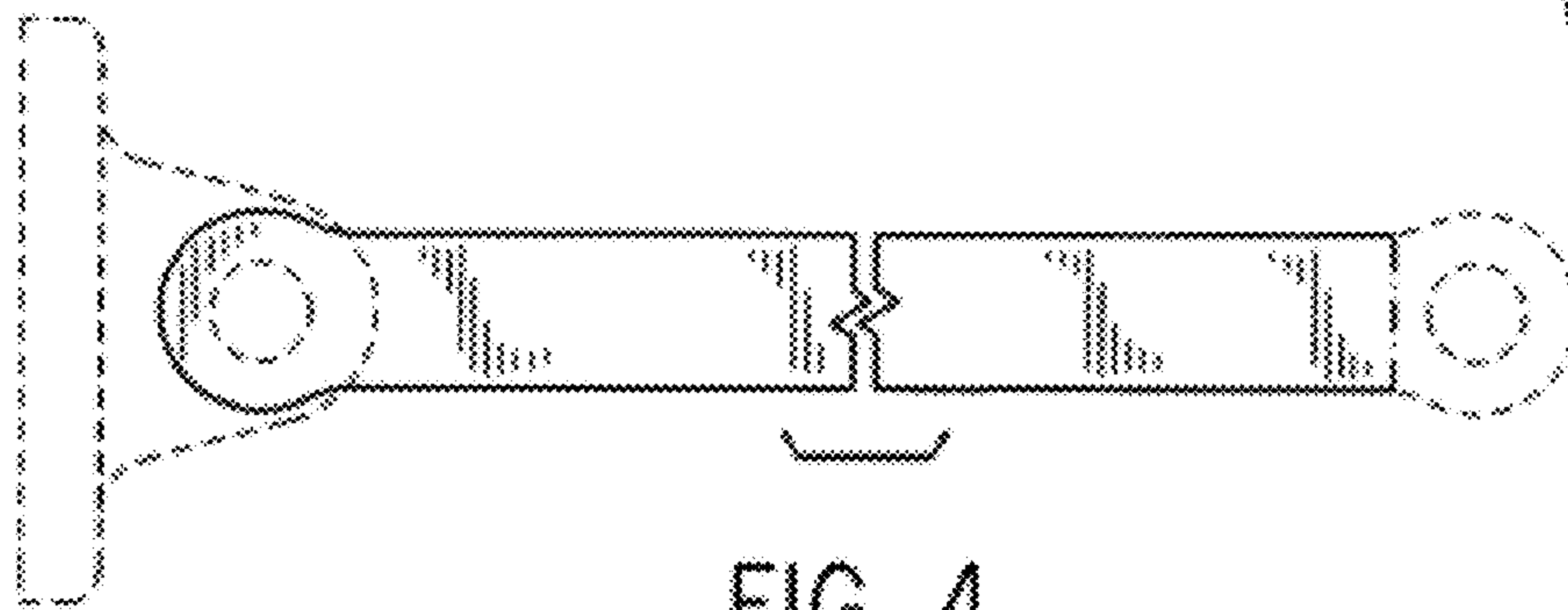


FIG. 4

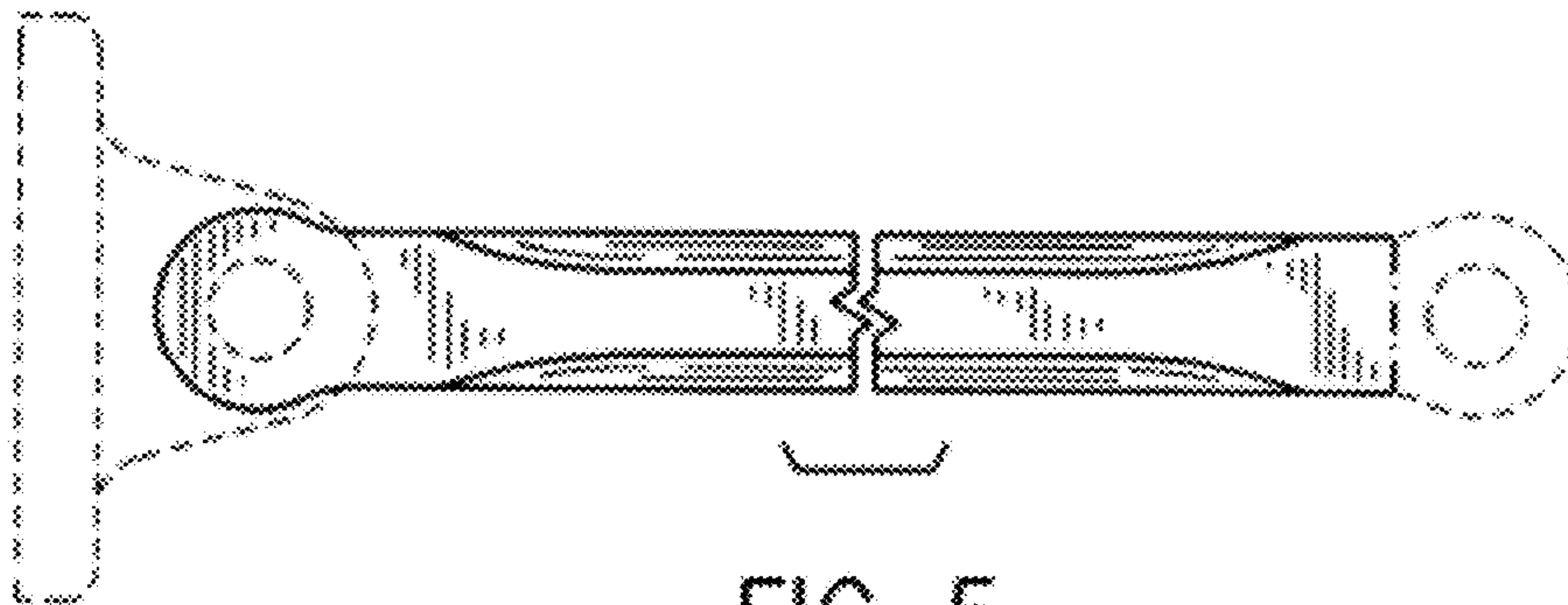


FIG. 5

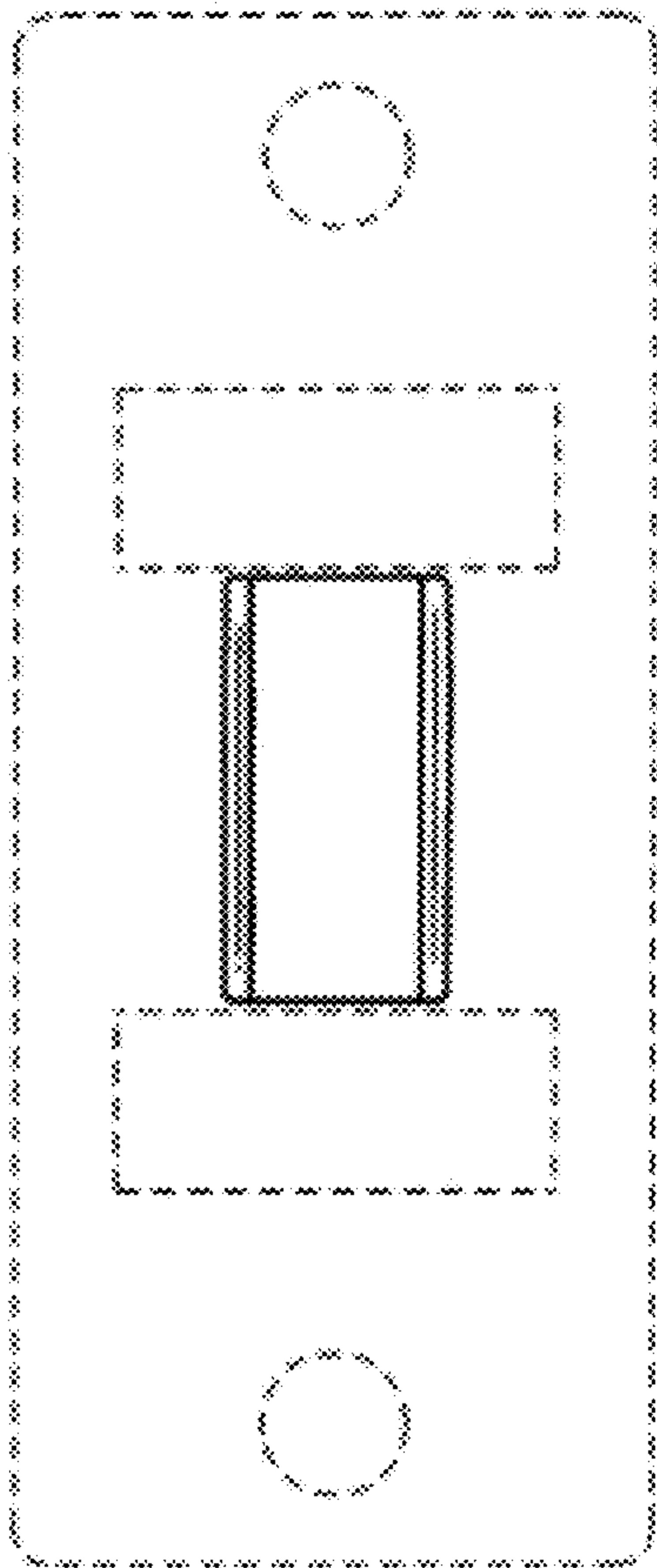


FIG. 6

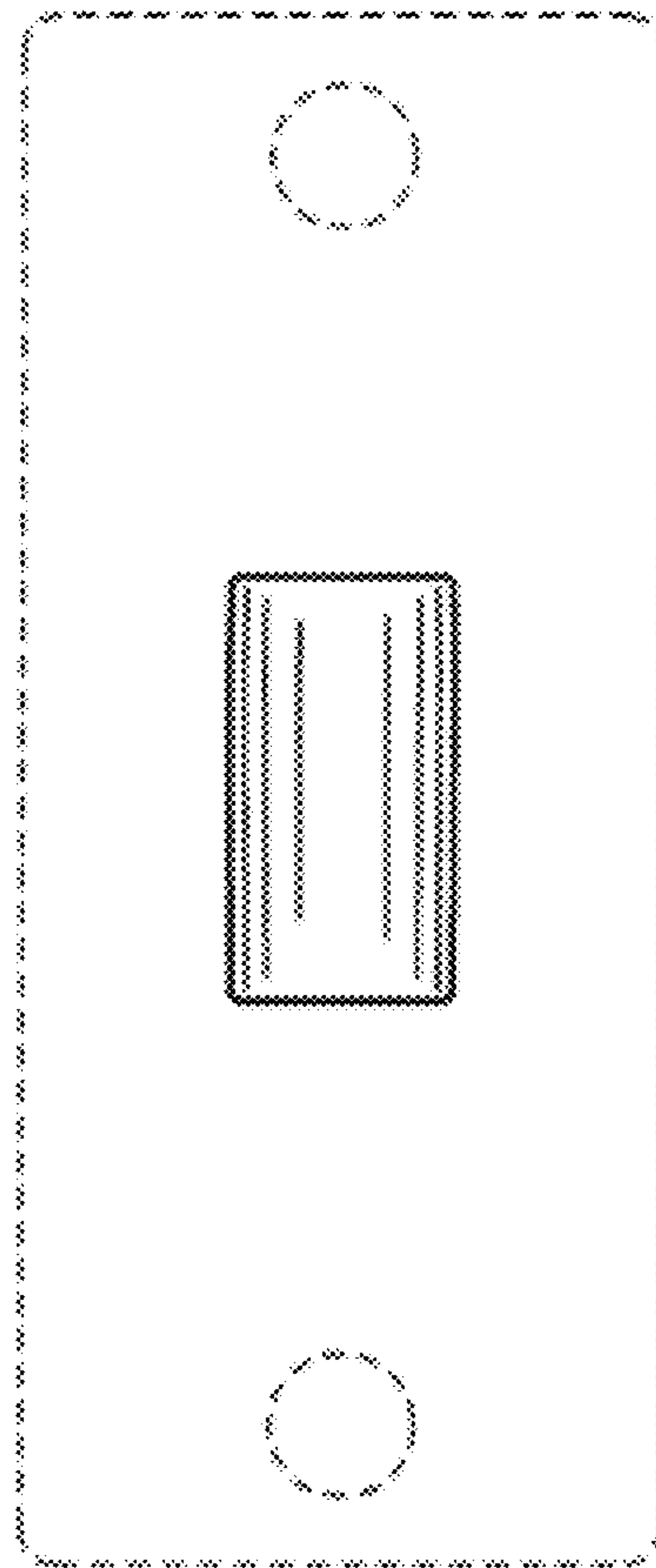


FIG. 7