



US00D674782S

(12) **United States Design Patent**
Ishinabe

(10) **Patent No.:** **US D674,782 S**
(45) **Date of Patent:** **** Jan. 22, 2013**

(54) **IN-VEHICLE SPEAKER PANEL**
(75) Inventor: **Hidetaka Ishinabe**, Saitama (JP)
(73) Assignee: **Clarion Co., Ltd.**, Saitama (JP)
(**) Term: **14 Years**
(21) Appl. No.: **29/411,234**
(22) Filed: **Jan. 18, 2012**

D359,494 S * 6/1995 Hedaya D14/224
D480,070 S * 9/2003 Hakoda D14/216
D488,801 S * 4/2004 Shindo et al. D14/216
D489,359 S * 5/2004 Hakoda D14/215
D525,236 S * 7/2006 Hibi D14/221
D532,771 S * 11/2006 Motoishi D14/211
D534,158 S * 12/2006 Yokoyama D14/211
D541,790 S * 5/2007 Yoon D14/215
D591,725 S * 5/2009 Komiyama D14/215
D593,070 S * 5/2009 Komiyama D14/215
D597,076 S * 7/2009 Komiyama D14/215
D602,909 S * 10/2009 Cho D14/215
D629,389 S * 12/2010 Kitayama D14/215

(30) **Foreign Application Priority Data**

Jul. 27, 2011 (JP) 2011-017259

(51) **LOC (9) Cl.** **14-01**
(52) **U.S. Cl.** **D14/224**
(58) **Field of Classification Search** D14/204,
D14/210, 215, 216, 217, 219, 211, 221, 224,
D14/224.1, 157; 381/332, 336, 229, 395;
369/75.11; D12/114

See application file for complete search history.

(56) **References Cited**

U.S. PATENT DOCUMENTS

2,205,669 A * 6/1940 Pye 381/395
2,924,290 A * 2/1960 Zuerker 381/189
D191,403 S * 9/1961 Perry D14/224
3,952,834 A * 4/1976 Soma et al. 181/150
D254,130 S * 2/1980 Iijima D14/215
D254,252 S * 2/1980 Matsubara D14/216
D254,490 S * 3/1980 Matsubara D14/215
D273,008 S * 3/1984 Ishizaki D14/215
4,492,826 A * 1/1985 Chiu 381/182
D284,281 S * 6/1986 Takagi D14/215
4,672,675 A * 6/1987 Powell et al. 381/182
4,811,406 A * 3/1989 Kawachi 381/186
4,837,839 A * 6/1989 Andrews 381/182
D357,480 S * 4/1995 Lumsden et al. D14/224

* cited by examiner

Primary Examiner — Paula Greene

(74) *Attorney, Agent, or Firm* — McDermott Will & Emery LLP

(57) **CLAIM**

The ornamental design for an in-vehicle speaker panel, as shown and described.

DESCRIPTION

FIG. 1 is a right-bottom perspective view of an in-vehicle speaker panel;

FIG. 2 is a left-bottom perspective view thereof;

FIG. 3 is a right-top perspective view thereof;

FIG. 4 is a left-top perspective view thereof;

FIG. 5 is a front view thereof;

FIG. 6 is a rear view thereof;

FIG. 7 is a left side view thereof;

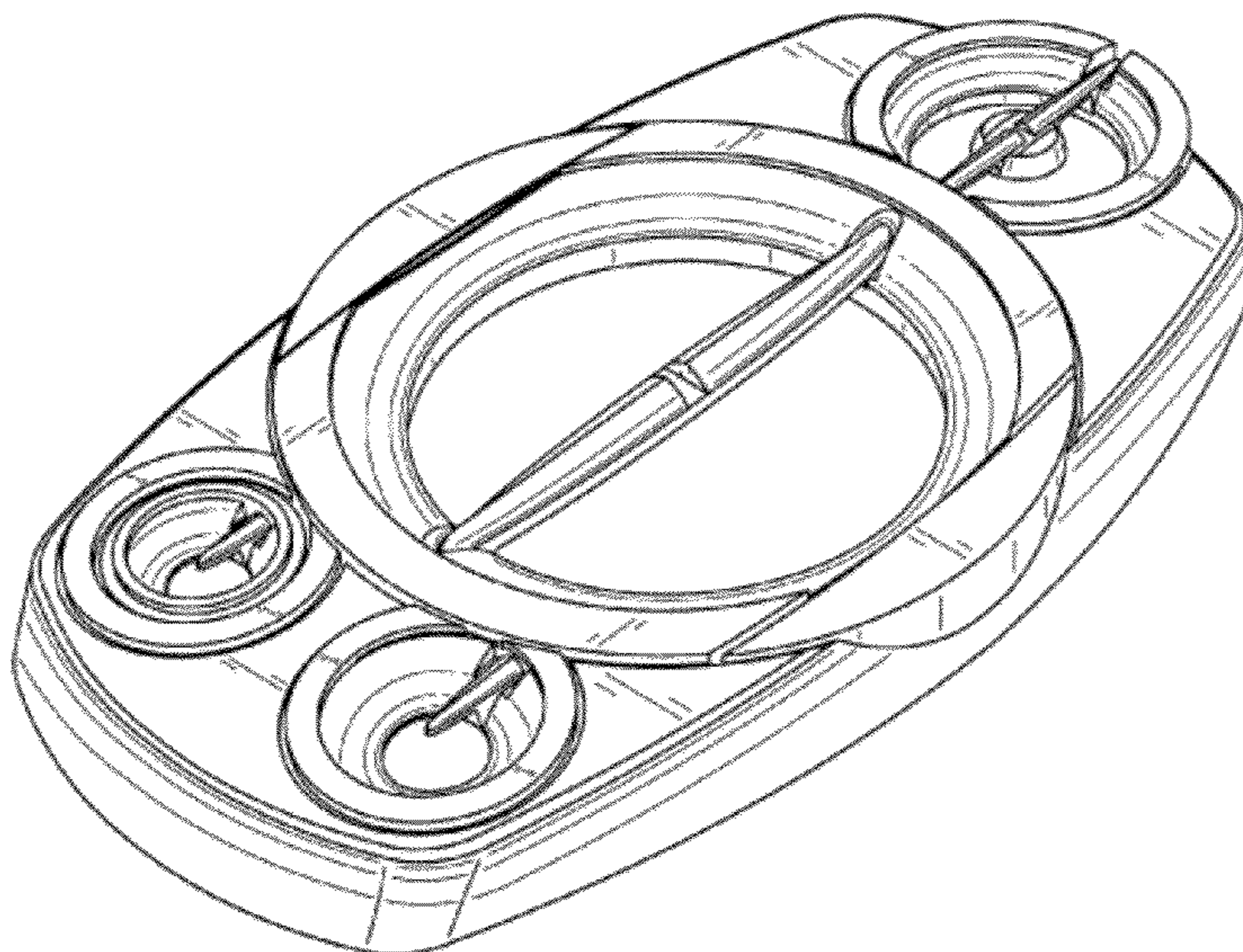
FIG. 8 is a right side view thereof;

FIG. 9 is a top view thereof; and,

FIG. 10 is a bottom view thereof.

The broken lines in the drawings illustrate environmental subject matter only and form no part of the claimed design.

1 Claim, 9 Drawing Sheets



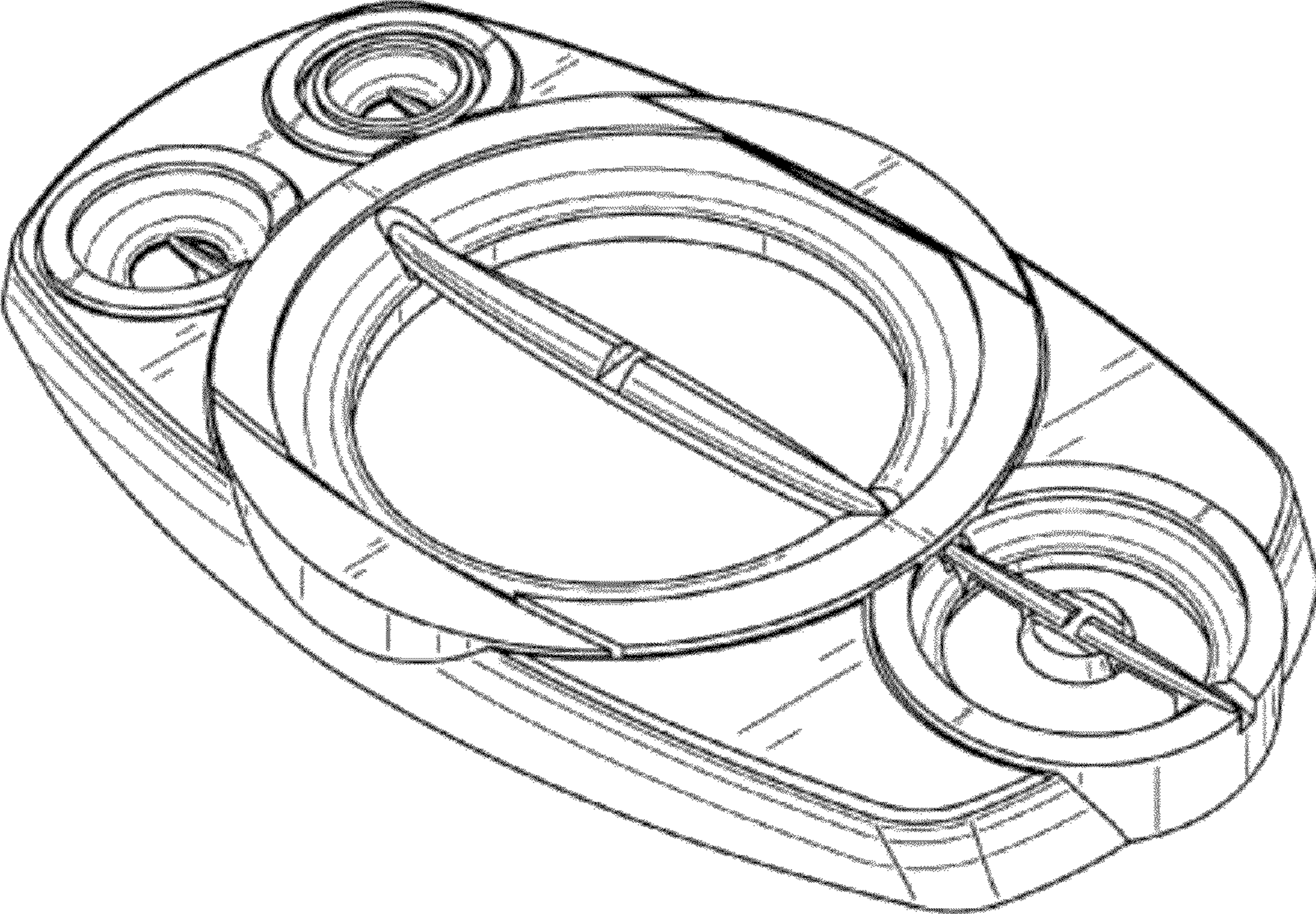


FIG. 1

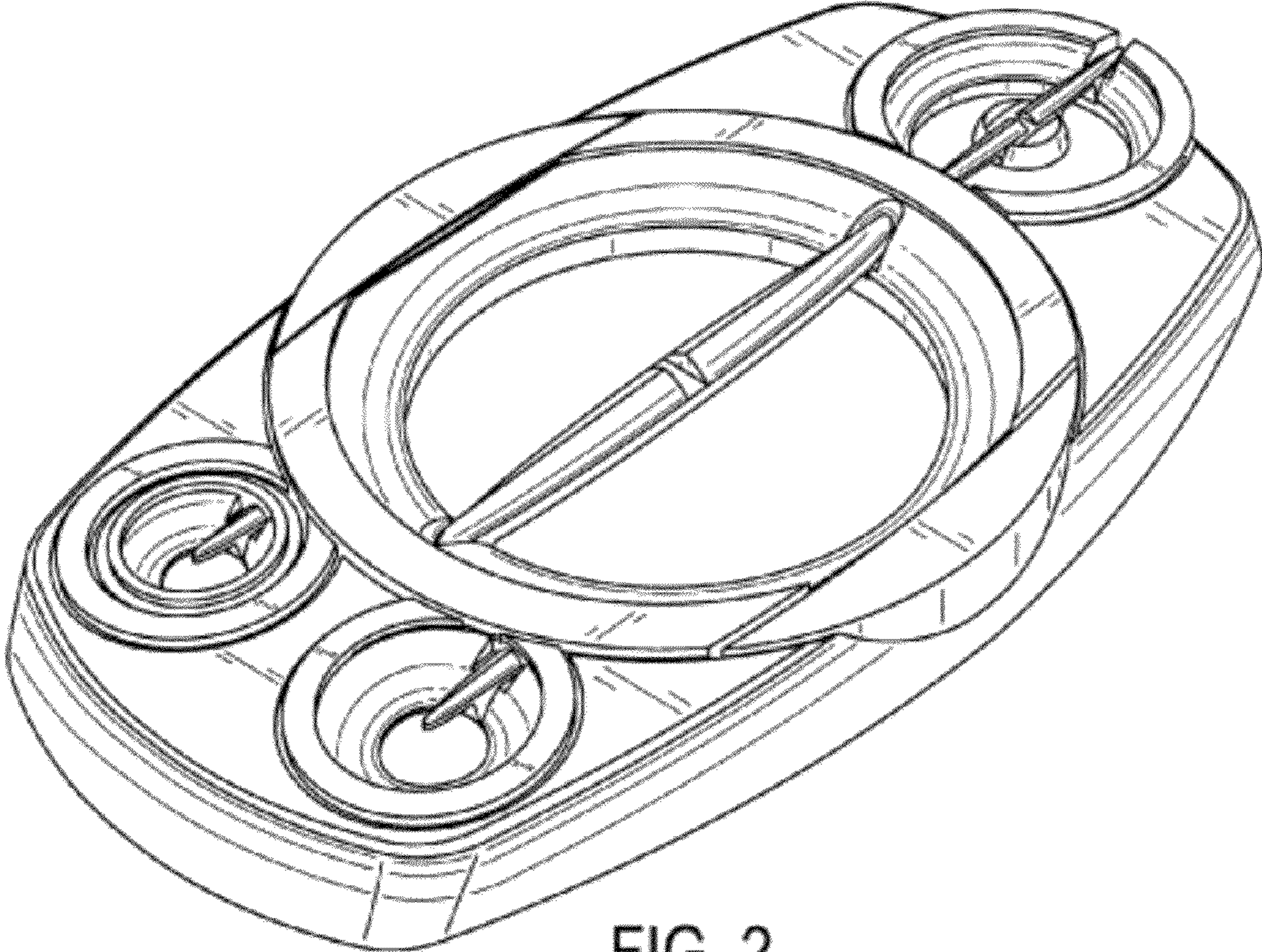


FIG. 2

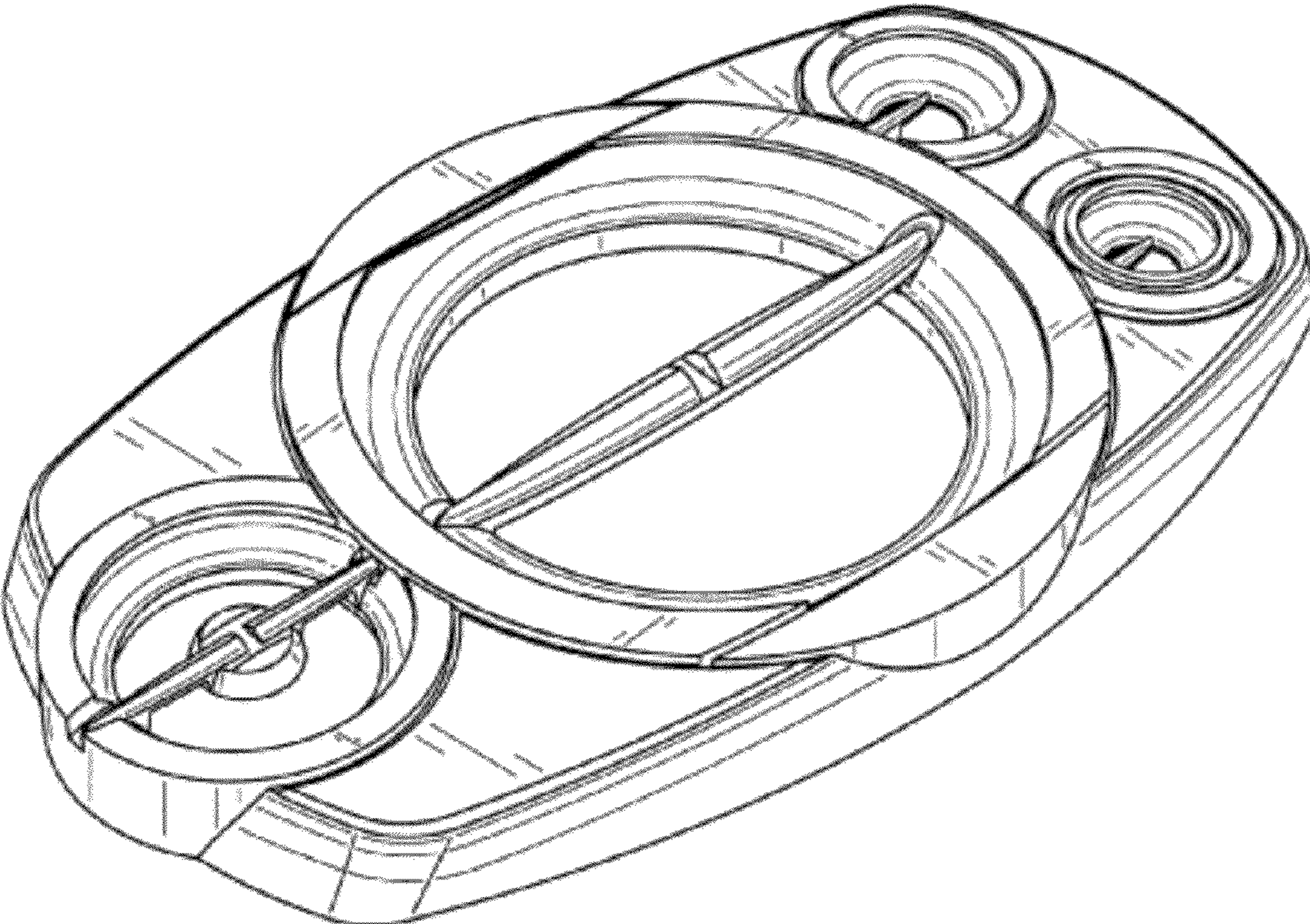


FIG. 3

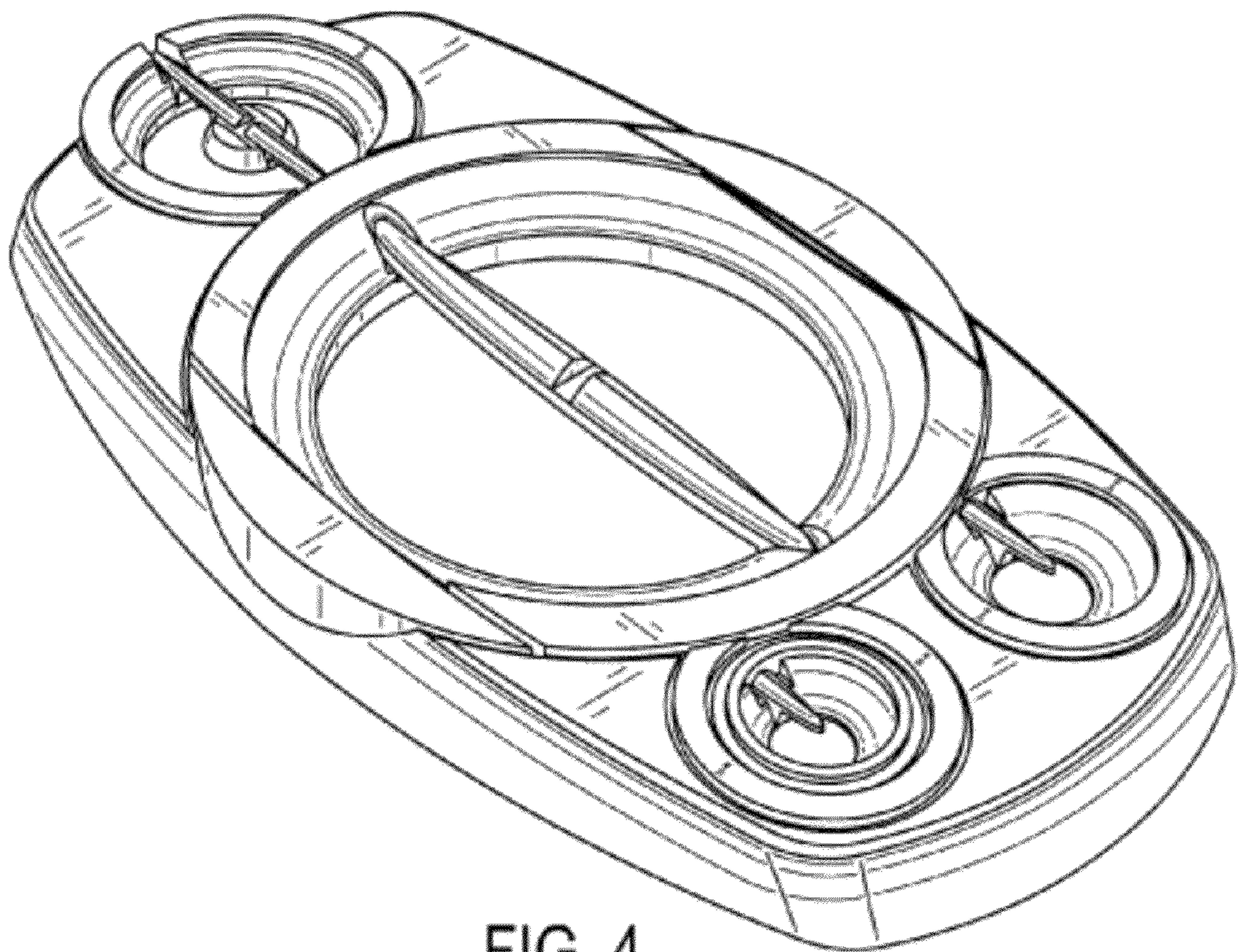


FIG. 4

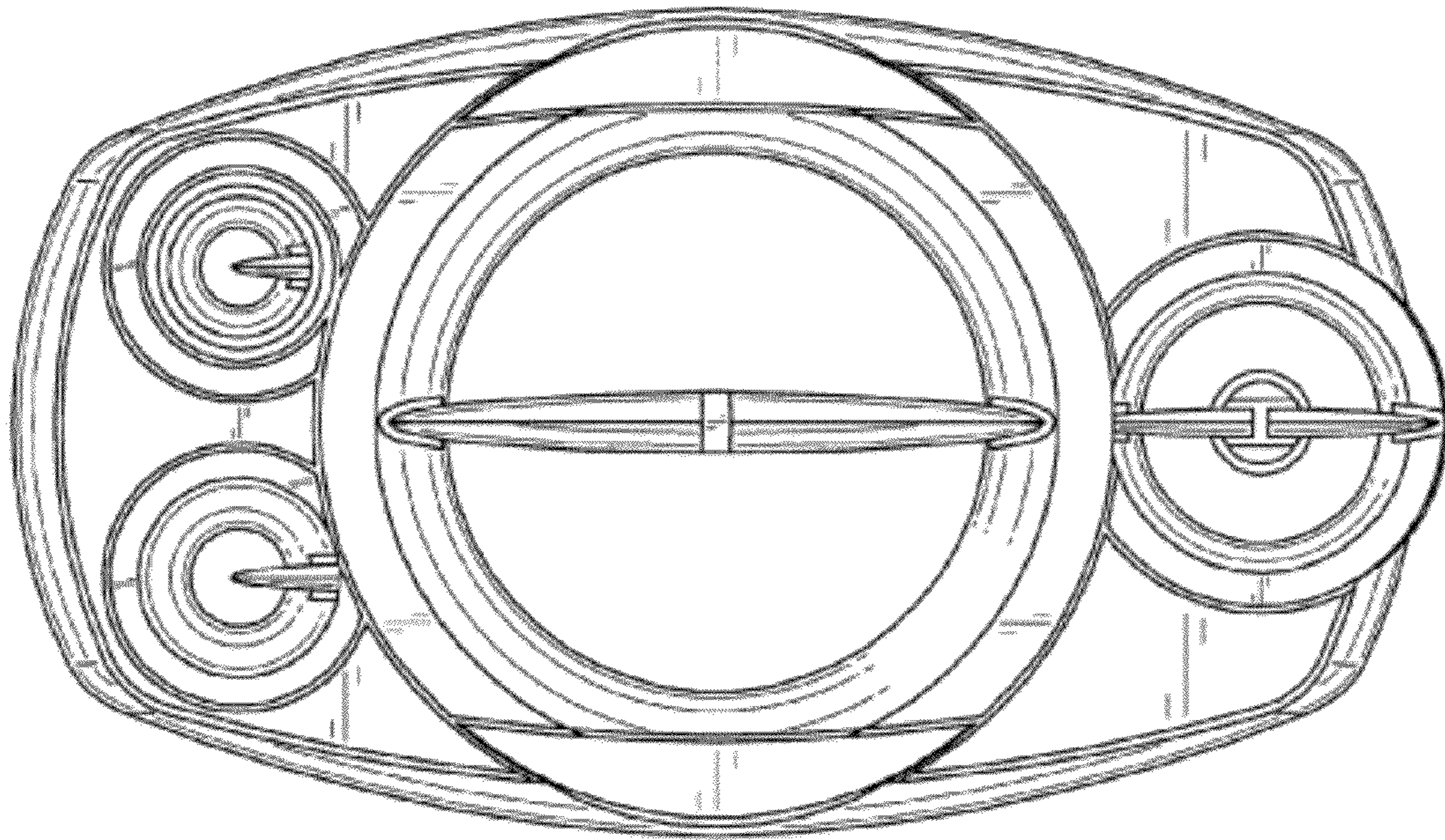


FIG. 5

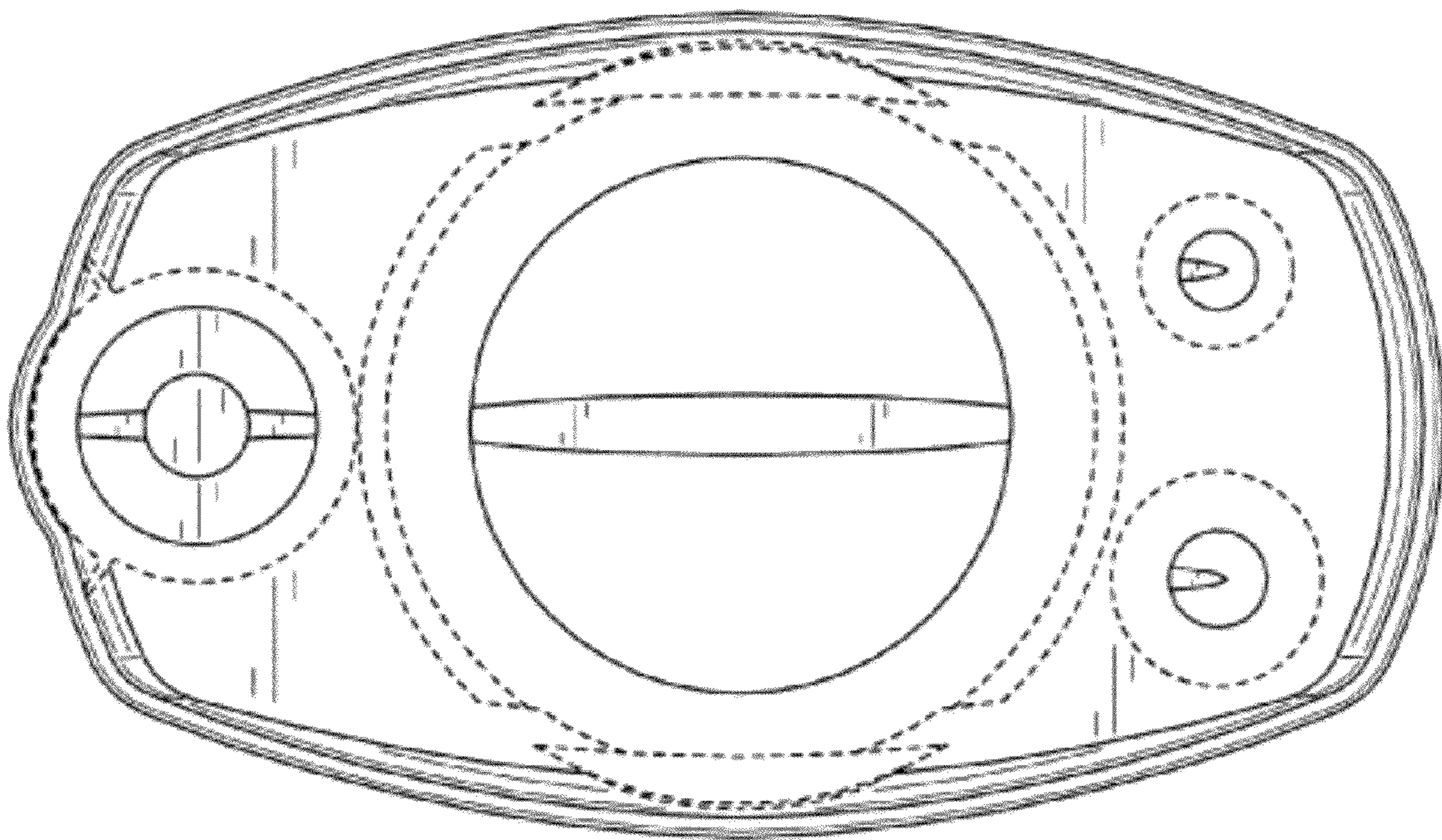


FIG. 6



FIG. 7

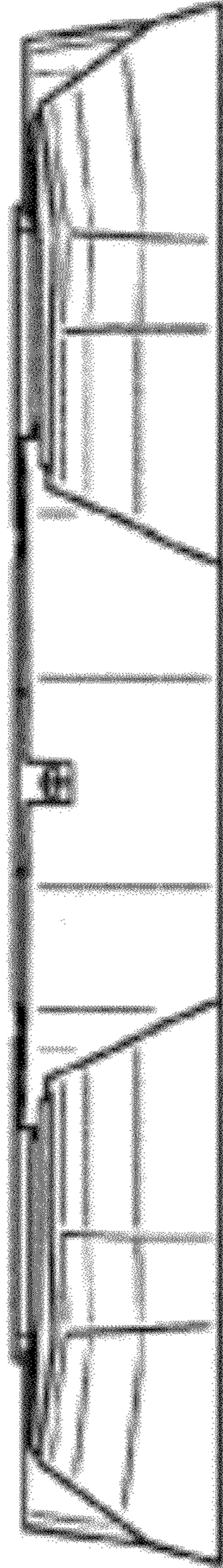


FIG. 8

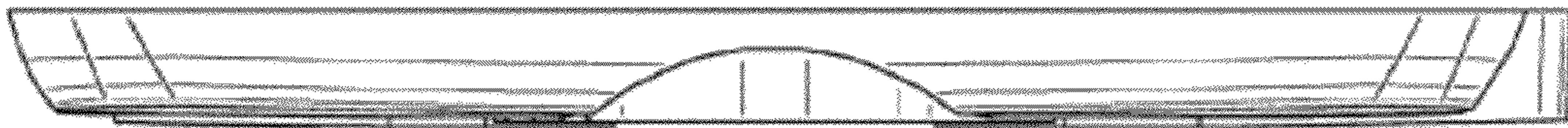


FIG. 9



FIG. 10