



US00D674781S

(12) **United States Design Patent**  
**Sakata**

(10) **Patent No.:** **US D674,781 S**

(45) **Date of Patent:** **\*\* Jan. 22, 2013**

(54) **EARPHONES**

(75) Inventor: **Yu Sakata**, Mitaka (JP)

(73) Assignee: **JVC Kenwood Corporation**, Kanagawa (JP)

(\*\*) Term: **14 Years**

(21) Appl. No.: **29/409,691**

(22) Filed: **Dec. 28, 2011**

(30) **Foreign Application Priority Data**

Jul. 15, 2011 (JP) ..... 2011-016338

(51) **LOC (9) Cl.** ..... **14-01**

(52) **U.S. Cl.** ..... **D14/223**

(58) **Field of Classification Search** ..... D14/205,  
D14/206, 223; 181/129, 130, 135; 379/430,  
379/431; 381/380, 381; D24/174; 455/90.3,  
455/575.2

See application file for complete search history.

(56) **References Cited**

**U.S. PATENT DOCUMENTS**

4,981,194	A *	1/1991	Kamon et al.	181/129
D337,118	S *	7/1993	Seikita	D14/223
D337,589	S *	7/1993	Wada	D14/223
D340,932	S *	11/1993	Yan	D14/249
5,809,159	A *	9/1998	Lee	381/380
6,122,369	A *	9/2000	Hwang et al.	379/420.04
D463,789	S *	10/2002	DeKalb et al.	D14/223
D463,790	S *	10/2002	Beraut et al.	D14/223
6,668,064	B1 *	12/2003	Lin	381/380
D523,846	S *	6/2006	Lee	D14/205
D554,109	S *	10/2007	Ledbetter et al.	D14/223
D556,741	S *	12/2007	Yeo	D14/223

D566,687	S *	4/2008	Duarte et al.	D14/205
D568,291	S *	5/2008	Andre et al.	D14/205
D575,269	S *	8/2008	Ledbetter et al.	D14/205
D583,804	S *	12/2008	Mahler et al.	D14/223
D589,491	S *	3/2009	Andre et al.	D14/205
D590,371	S *	4/2009	Leinvuo	D14/205
D641,009	S *	7/2011	Olodort et al.	D14/223
8,077,898	B2 *	12/2011	Huang	381/345
D653,235	S *	1/2012	McManigal	D14/205
D656,481	S *	3/2012	McManigal	D14/205
D657,780	S *	4/2012	Dahlberg	D14/223
D662,079	S *	6/2012	Fahrendorff et al.	D14/205
D662,493	S *	6/2012	Chen	D14/223
8,208,661	B2 *	6/2012	Jiang et al.	381/164

\* cited by examiner

*Primary Examiner* — Paula Greene

(74) *Attorney, Agent, or Firm* — Osha Liang LLP

(57) **CLAIM**

The ornamental design for an earphones, as shown and described.

**DESCRIPTION**

FIG. 1 is a perspective view of the front, top and left side of earphones showing my new design;

FIG. 2 is a perspective view of the rear, top and right side thereof;

FIG. 3 is a front view thereof;

FIG. 4 is a rear view thereof;

FIG. 5 is a left side view thereof;

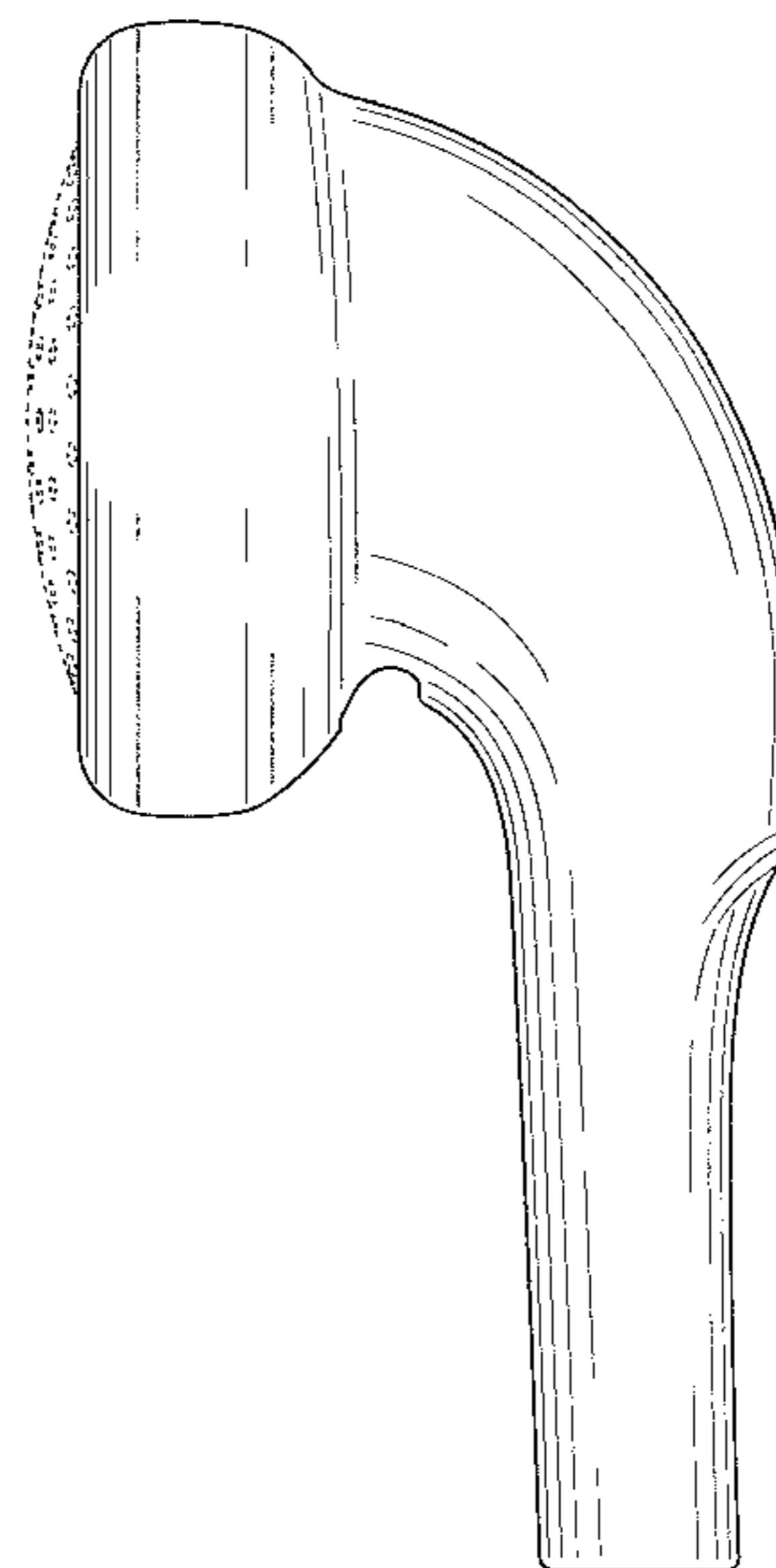
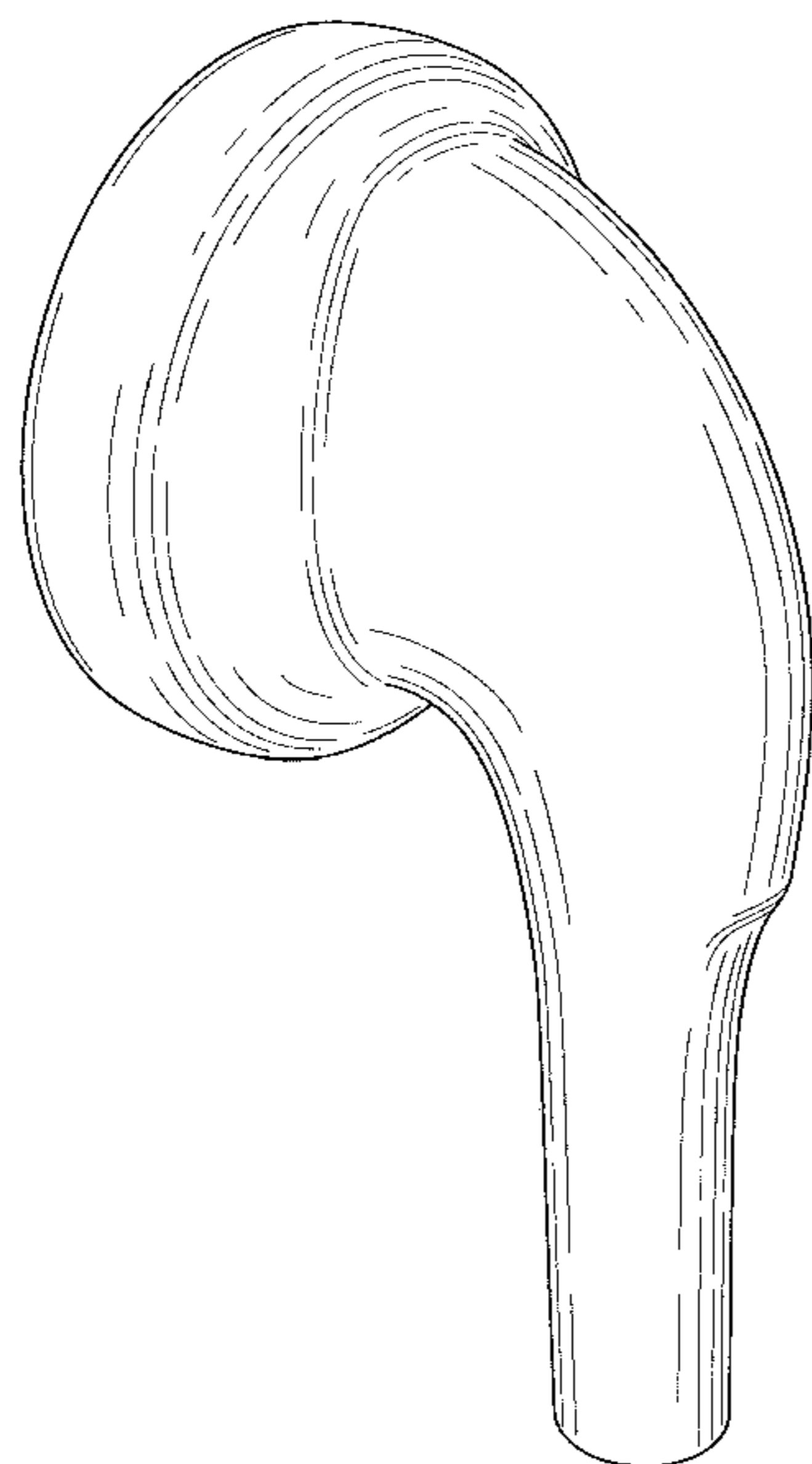
FIG. 6 is a right side view thereof;

FIG. 7 is a top view thereof; and,

FIG. 8 is a bottom view thereof.

The portions of the article in broken lines are shown for illustrative purpose only and form no part of the claimed design.

**1 Claim, 4 Drawing Sheets**



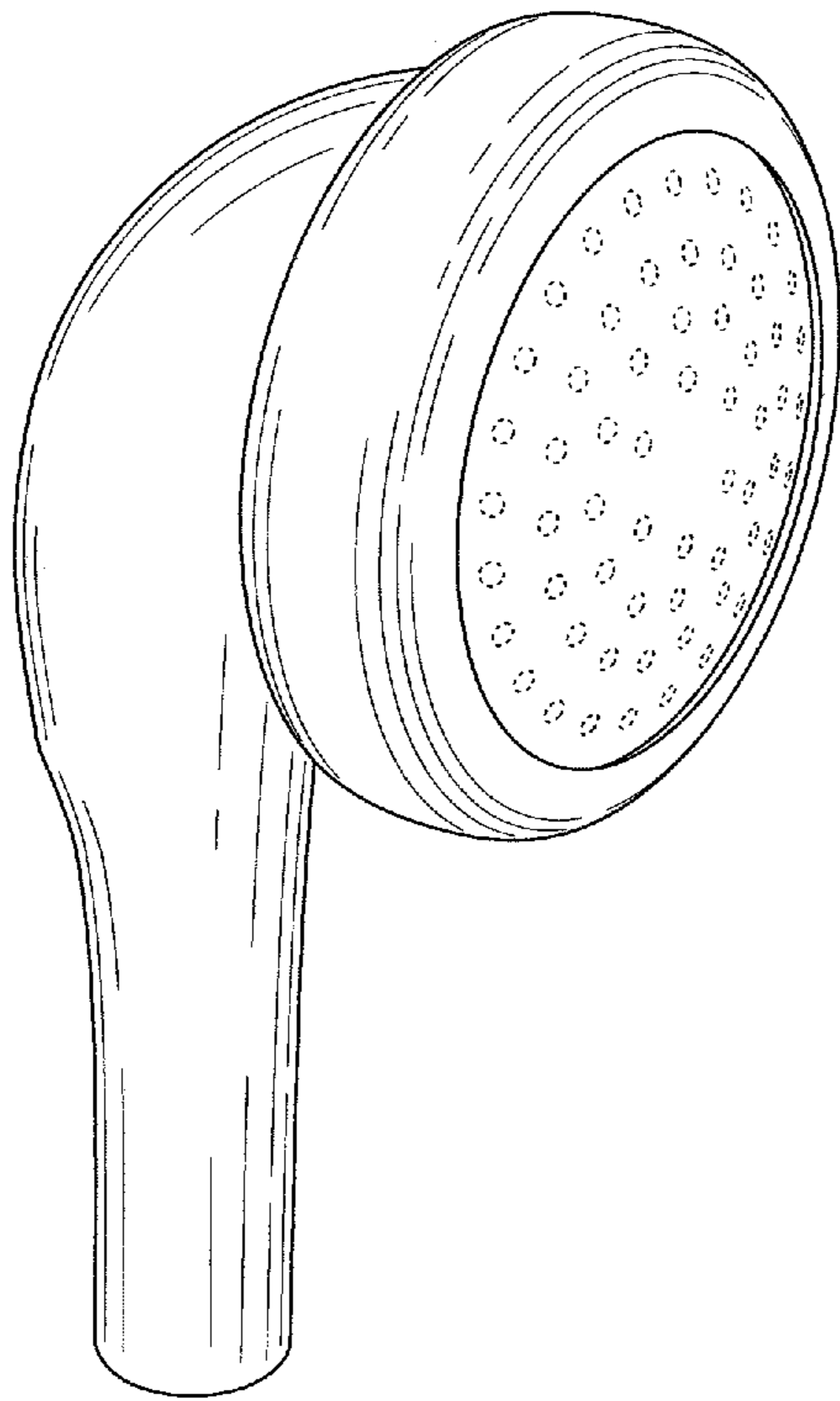


FIG. 1

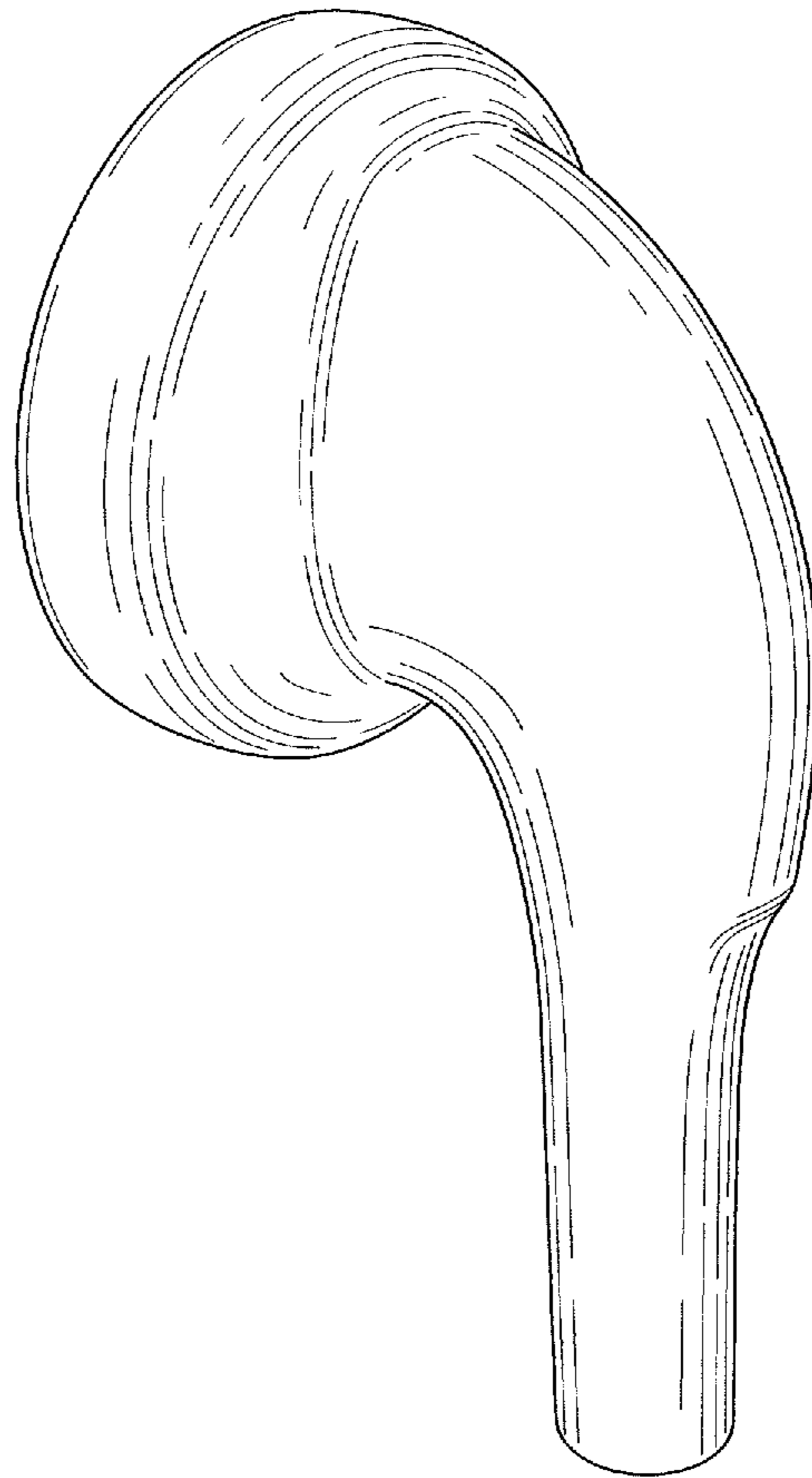


FIG. 2

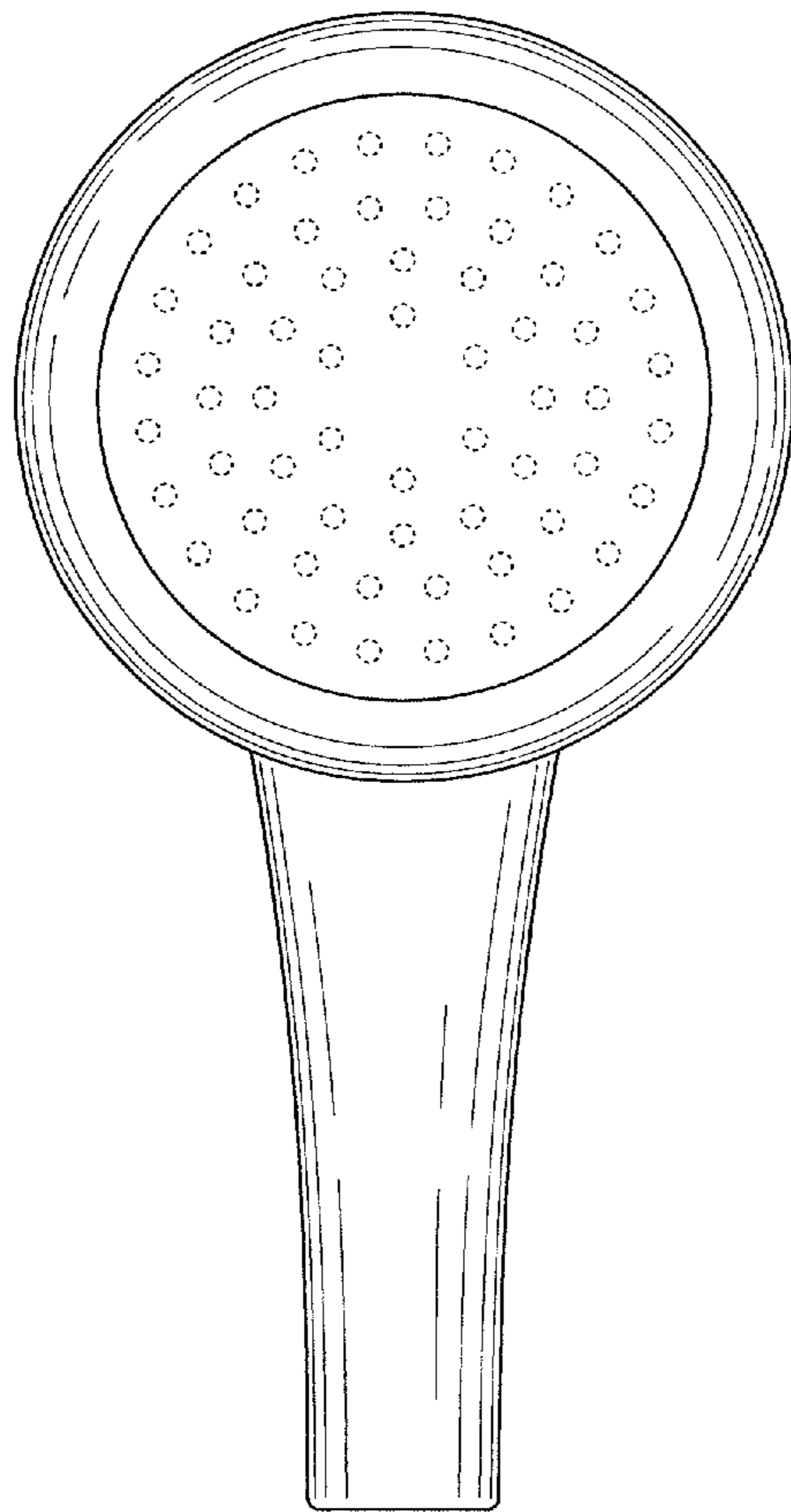


FIG. 3

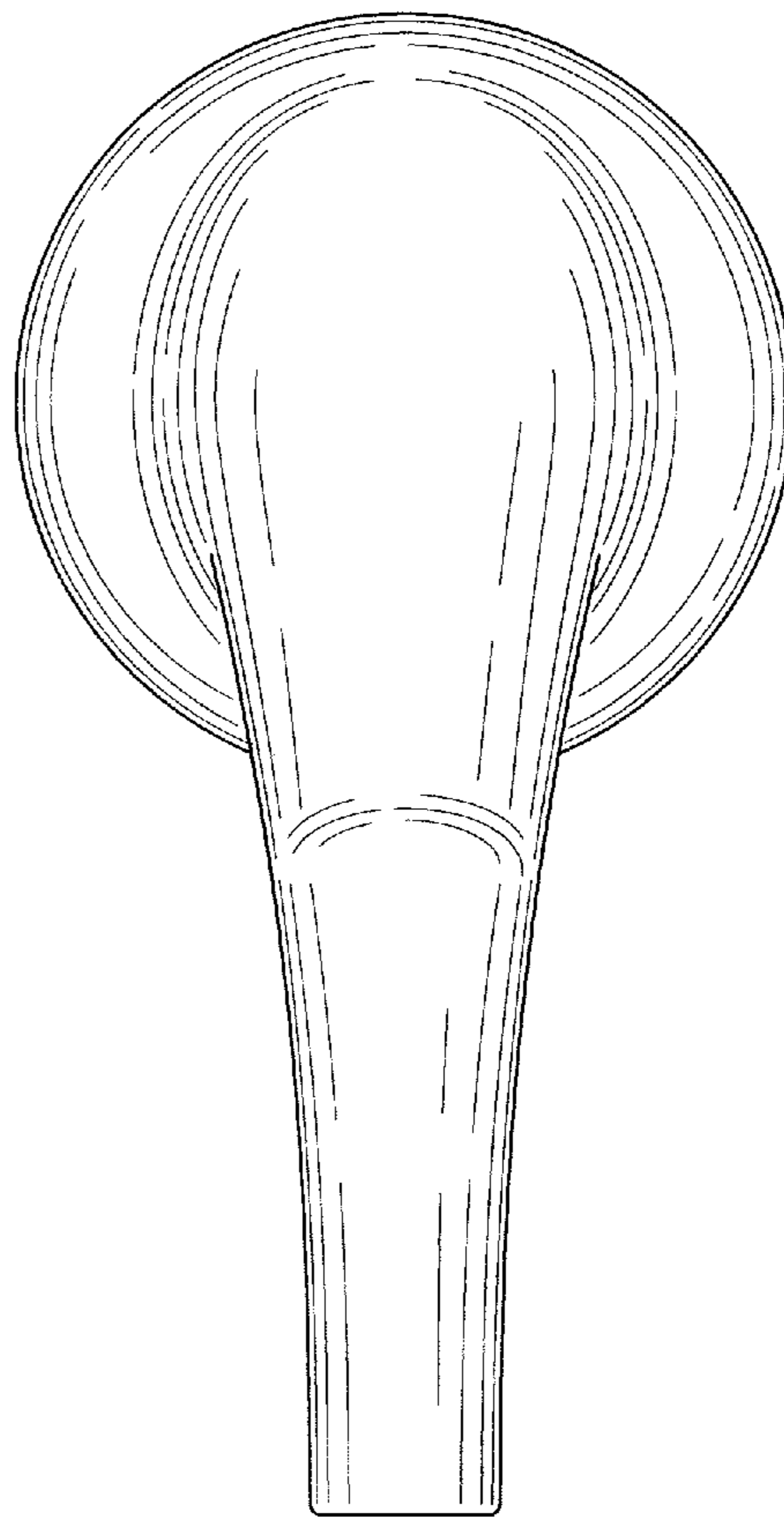


FIG. 4

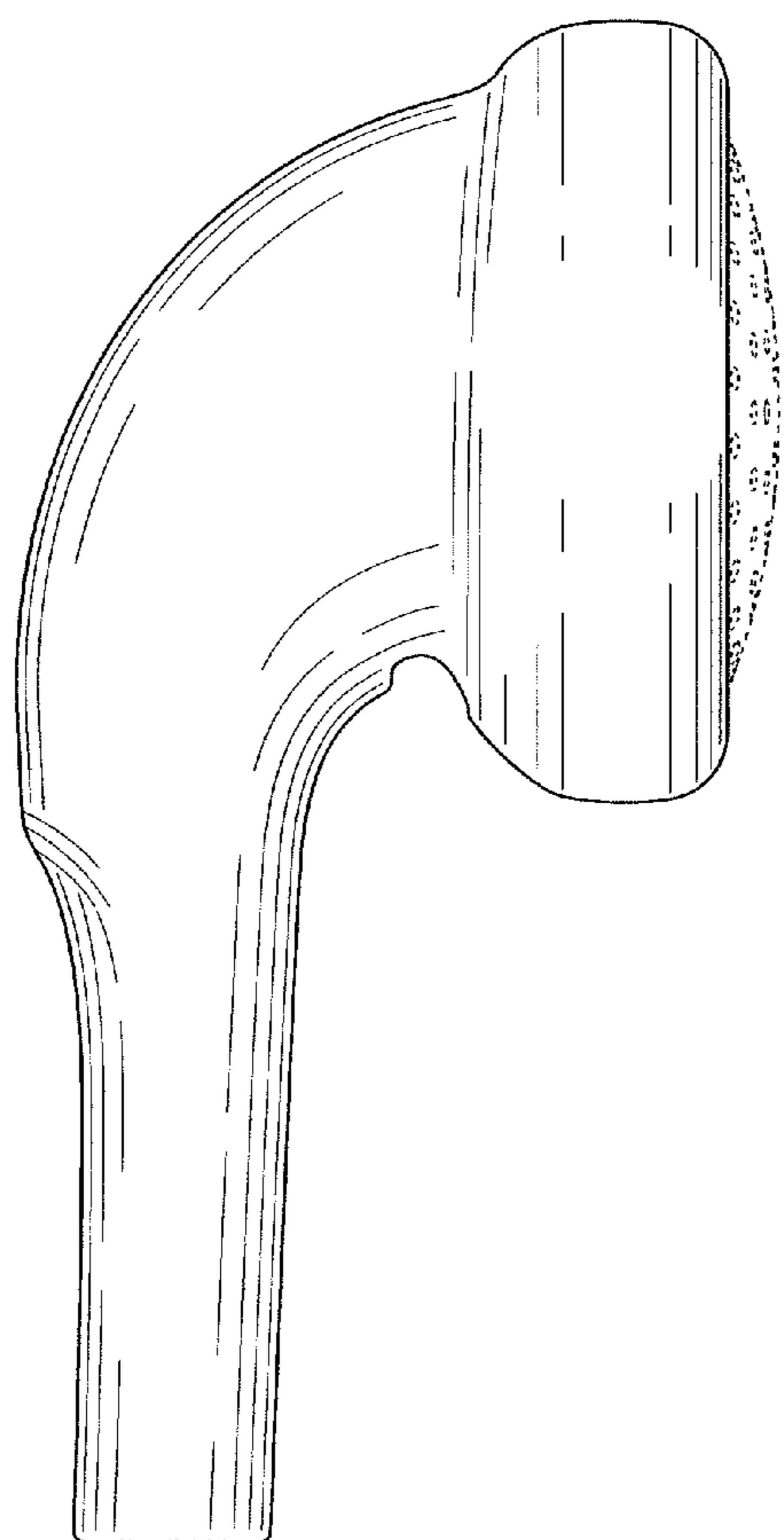


FIG. 5

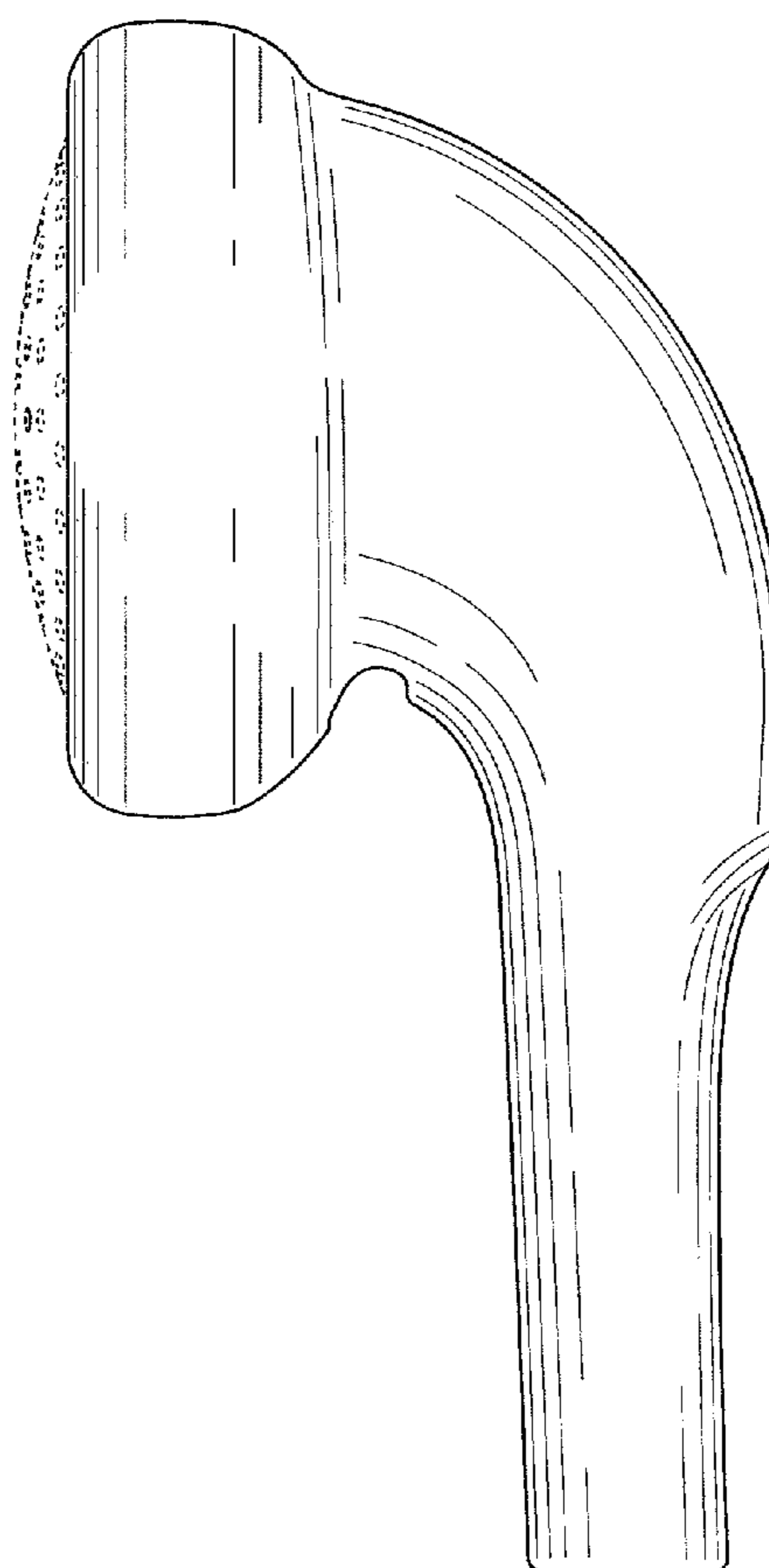
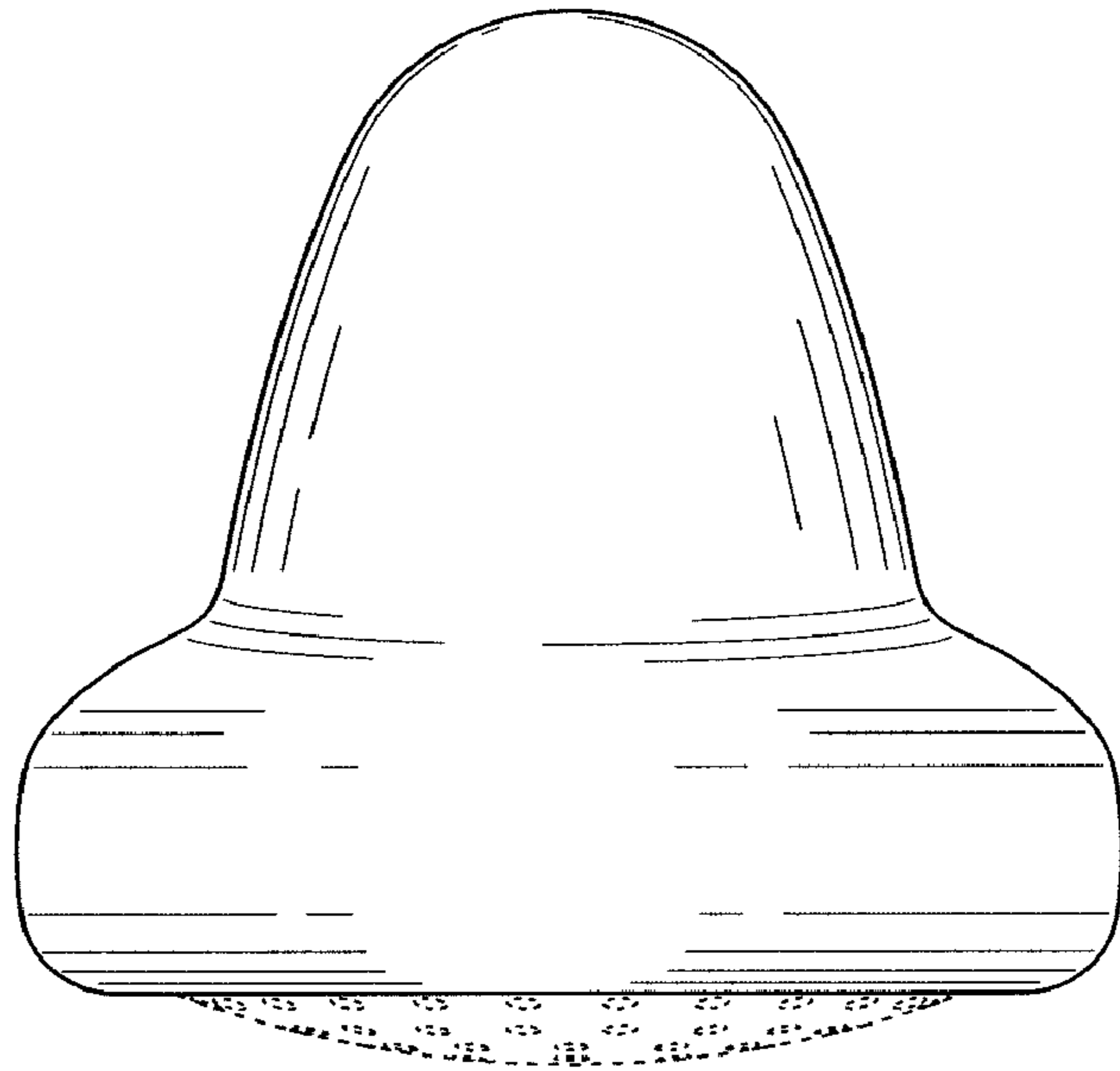
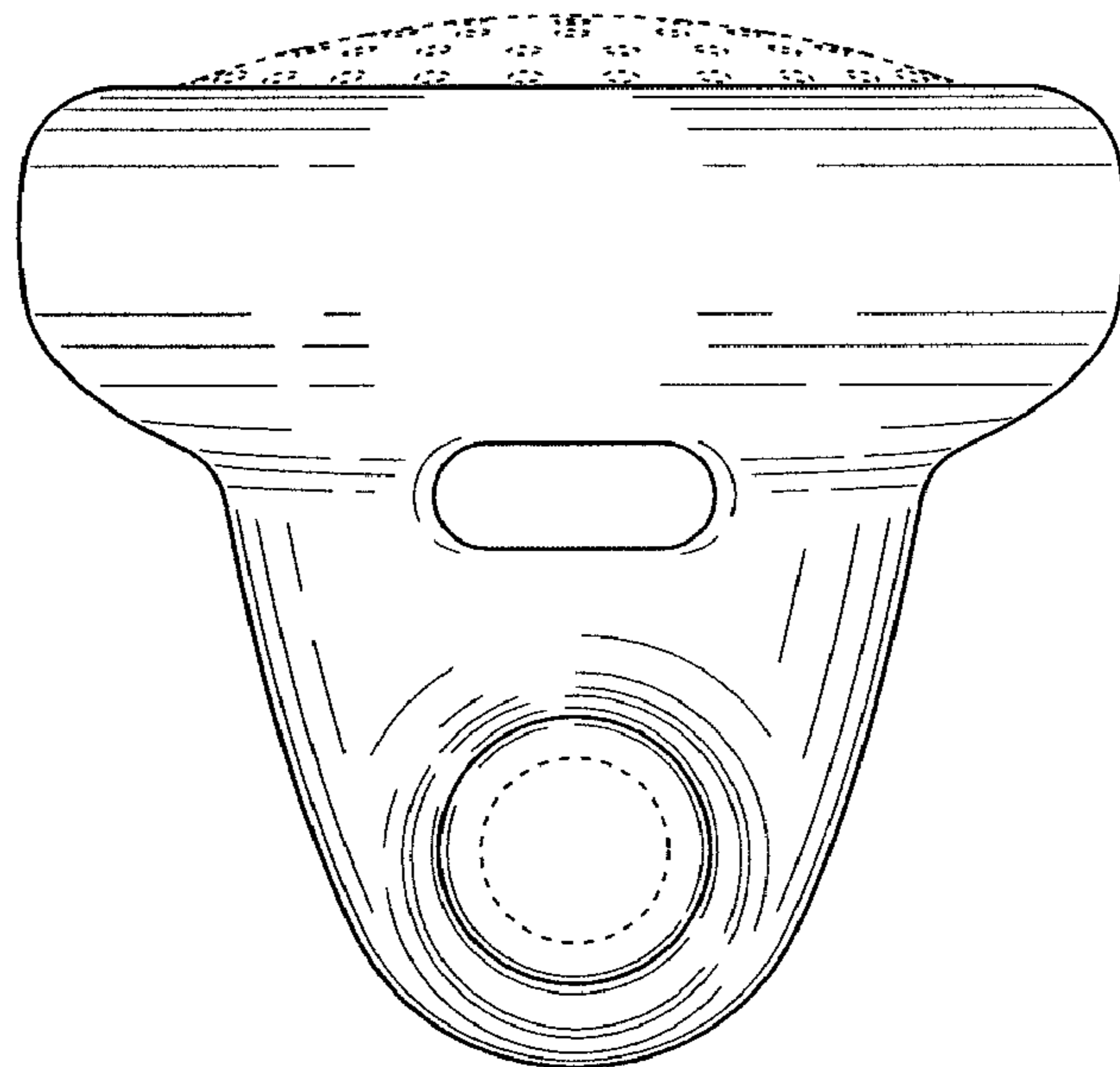


FIG. 6



**FIG. 7**



**FIG. 8**