



US00D674780S

(12) **United States Design Patent**
Davies et al.

(10) **Patent No.:** **US D674,780 S**
(45) **Date of Patent:** **** Jan. 22, 2013**

(54) **LOUDSPEAKER**

(75) Inventors: **Simon Davies**, Hong Kong (HK);
Patrick Ho, Hong Kong (HK); **Yang Jack Chang**, New Territories (HK);
Graham Allen, Kent (GB)

(73) Assignee: **GP Acoustics International Limited**,
New Territories (HK)

(**) Term: **14 Years**

(21) Appl. No.: **29/400,351**

(22) Filed: **Aug. 26, 2011**

(30) **Foreign Application Priority Data**

Aug. 12, 2011 (HK) 1101376.0M004

(51) **LOC (9) Cl.** **14-01**

(52) **U.S. Cl.** **D14/215**

(58) **Field of Classification Search** D14/204,
D14/218, 172, 210–216; 181/143, 147, 148,
181/150, 153, 157, 198, 199, 166, 144;
381/300–303, 306, 332, 333, 336, 345, 361–364,
381/370, 386–388

See application file for complete search history.

(56) **References Cited**

U.S. PATENT DOCUMENTS

3,026,857 A * 3/1962 Rupprecht 122/235.23
3,194,340 A * 7/1965 Kuwayama 381/346

4,214,645 A * 7/1980 Plourde 181/148
4,221,929 A * 9/1980 Fukuda 381/386
5,937,074 A * 8/1999 Carver 381/395
6,561,311 B2 * 5/2003 Chuang 181/199
D533,541 S * 12/2006 Motoishi D14/215
D570,828 S * 6/2008 Cho D14/215
D624,048 S * 9/2010 Kim D14/215
D664,122 S * 7/2012 Cho et al. D14/215

* cited by examiner

Primary Examiner — Prabhakar Deshmukh

(74) *Attorney, Agent, or Firm* — Pearne & Gordon LLP

(57) **CLAIM**

The ornamental design for a loudspeaker, as shown and described.

DESCRIPTION

FIG. 1 is a front view of a loudspeaker showing our new design;

FIG. 2 is a rear view thereof;

FIG. 3 is a left side view thereof;

FIG. 4 is a right side view thereof;

FIG. 5 is a top plan view thereof;

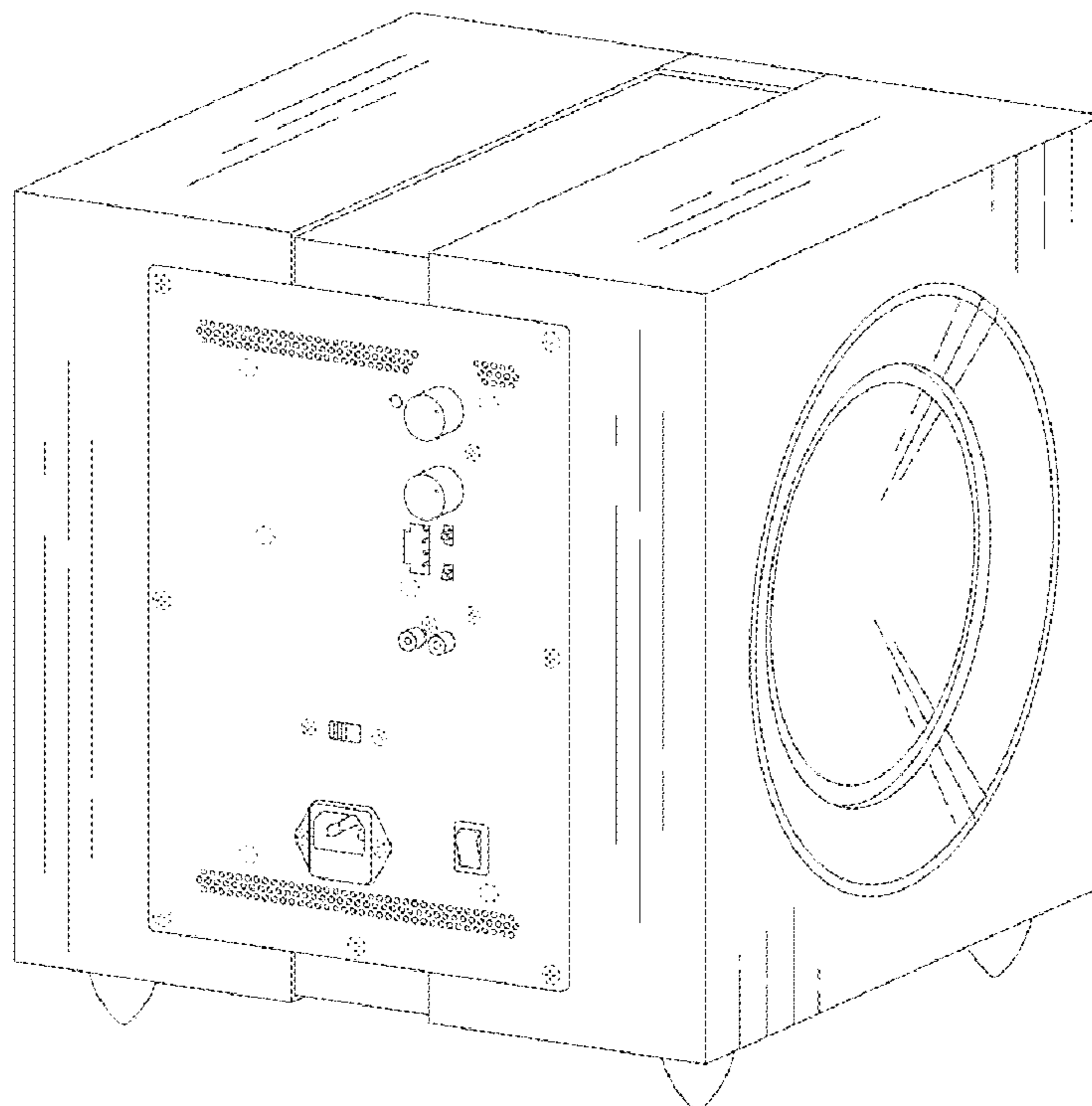
FIG. 6 is a bottom plan view thereof;

FIG. 7 is a front perspective view thereof; and,

FIG. 8 is a rear perspective view thereof.

The broken line showing on the drawing disclosure is for illustrative purposes only and forms no part of the claimed design.

1 Claim, 8 Drawing Sheets



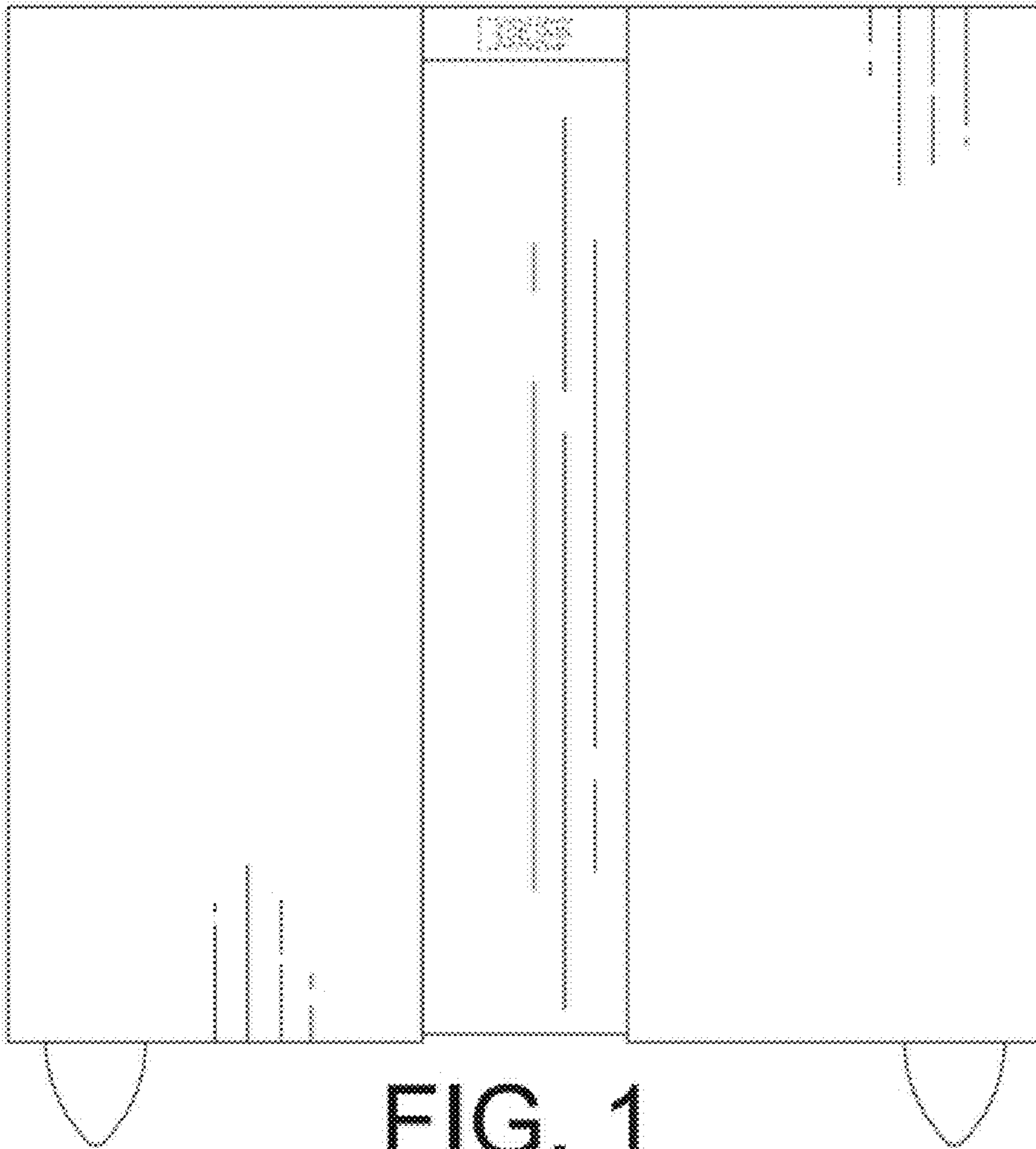


FIG. 1

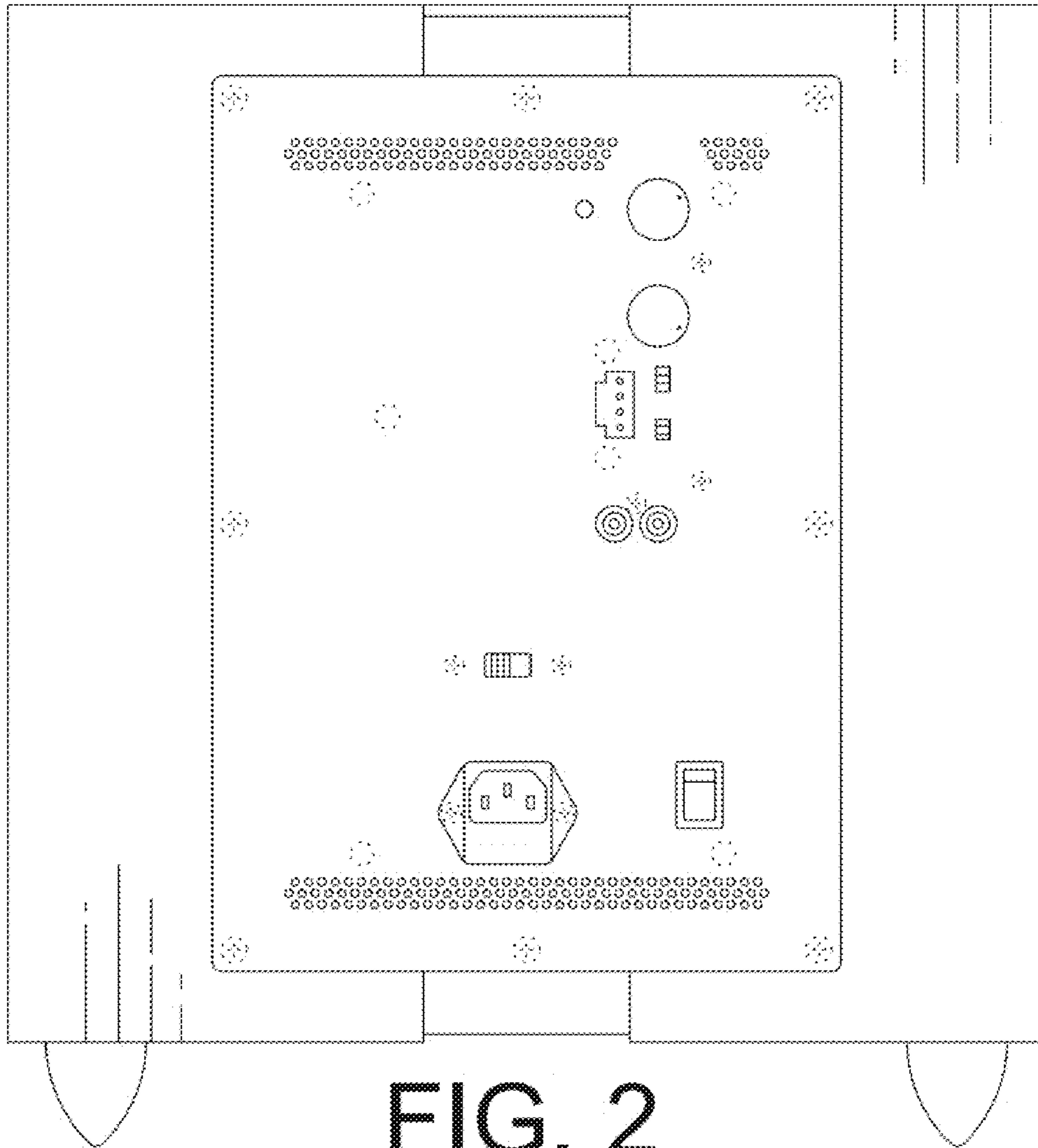


FIG. 2

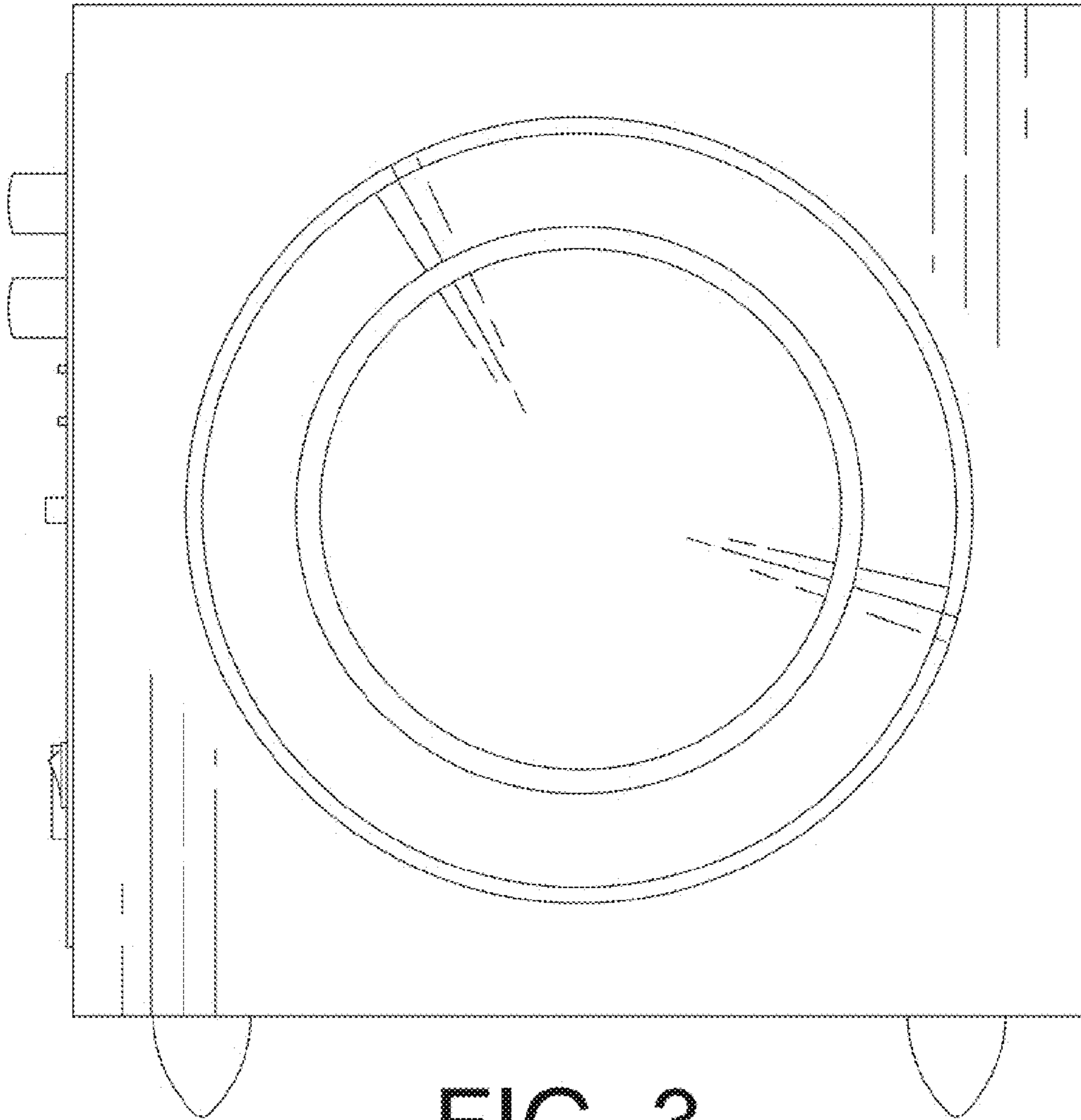


FIG. 3

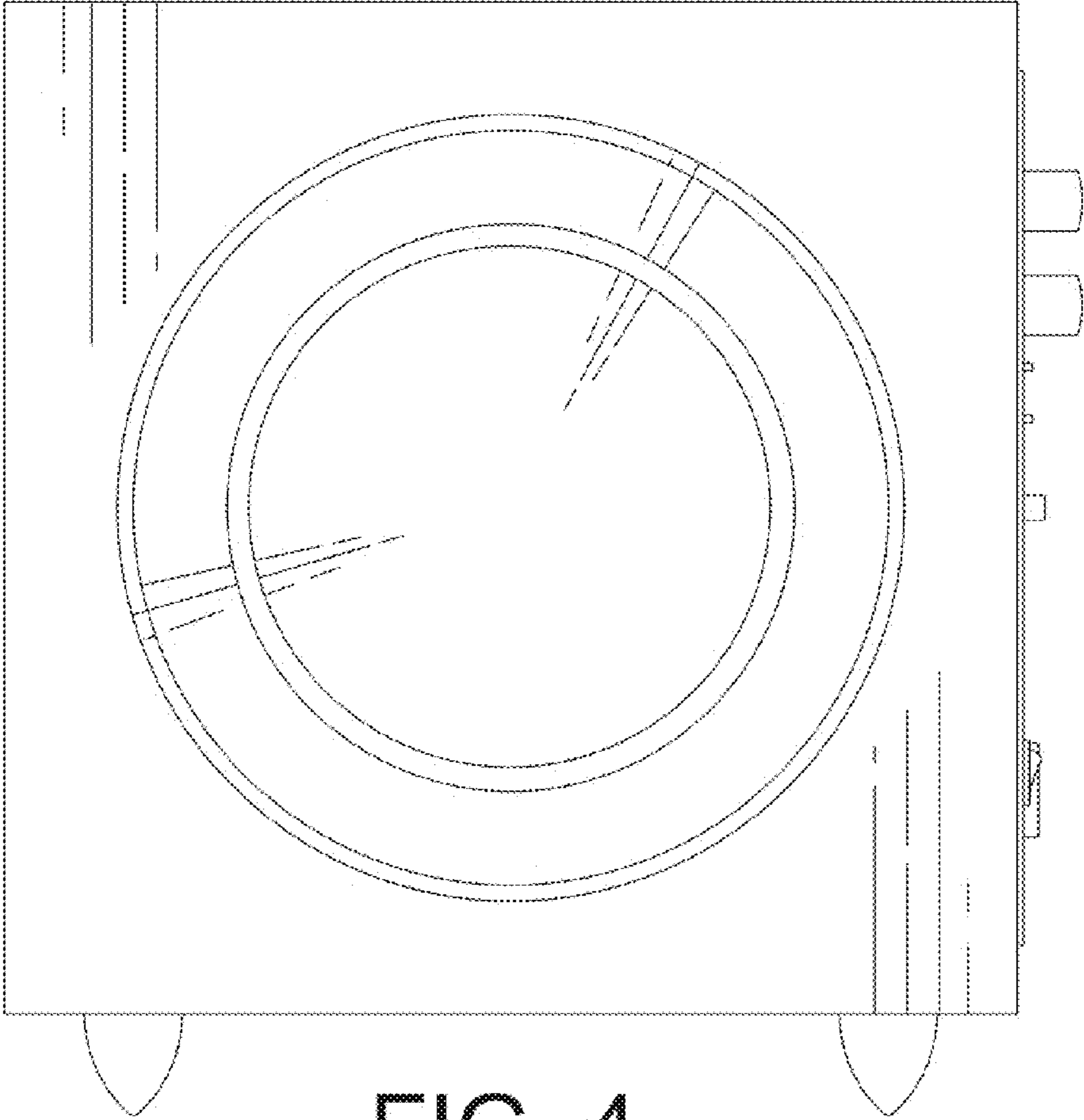


FIG. 4

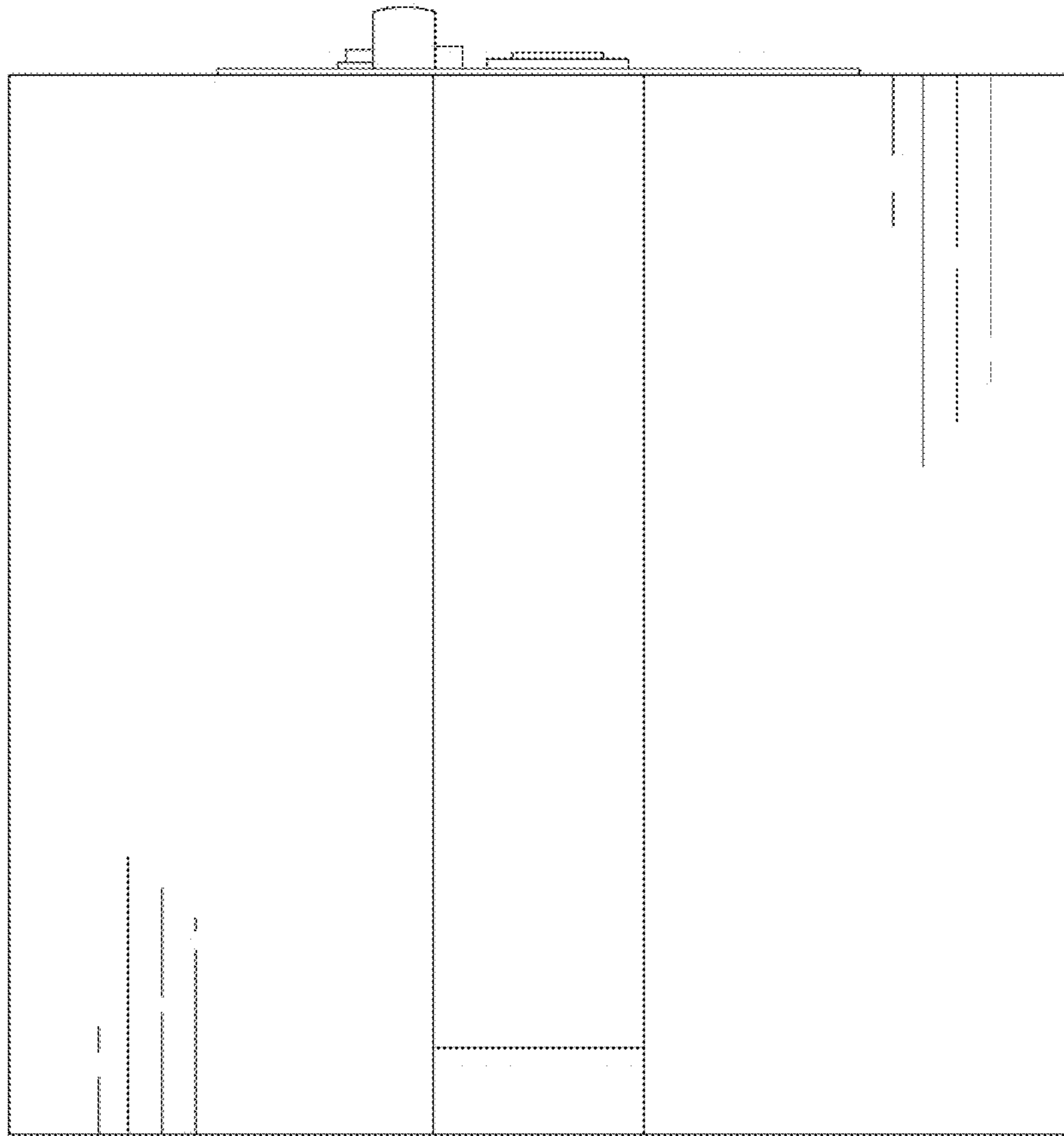


FIG. 5

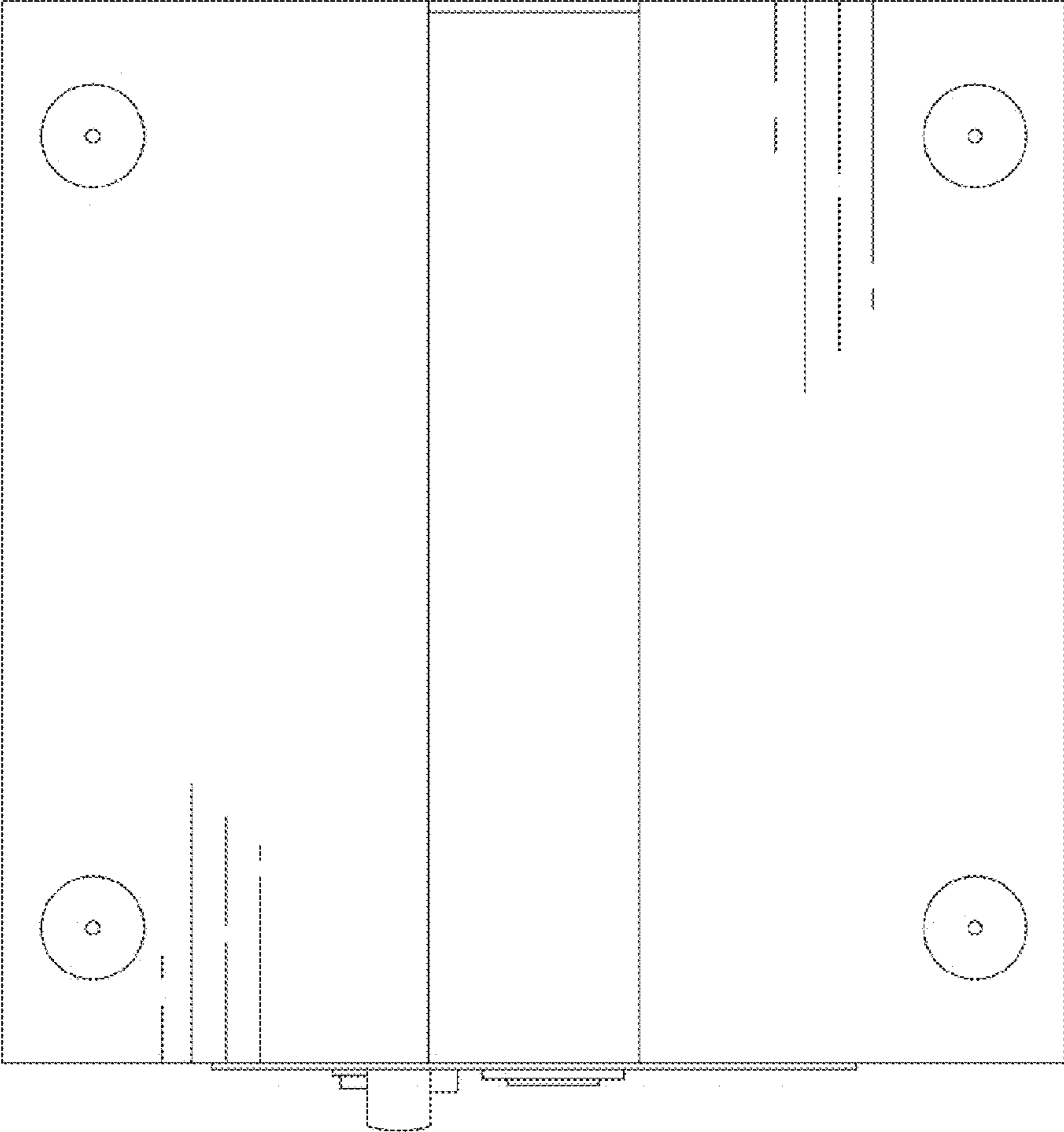


FIG. 6

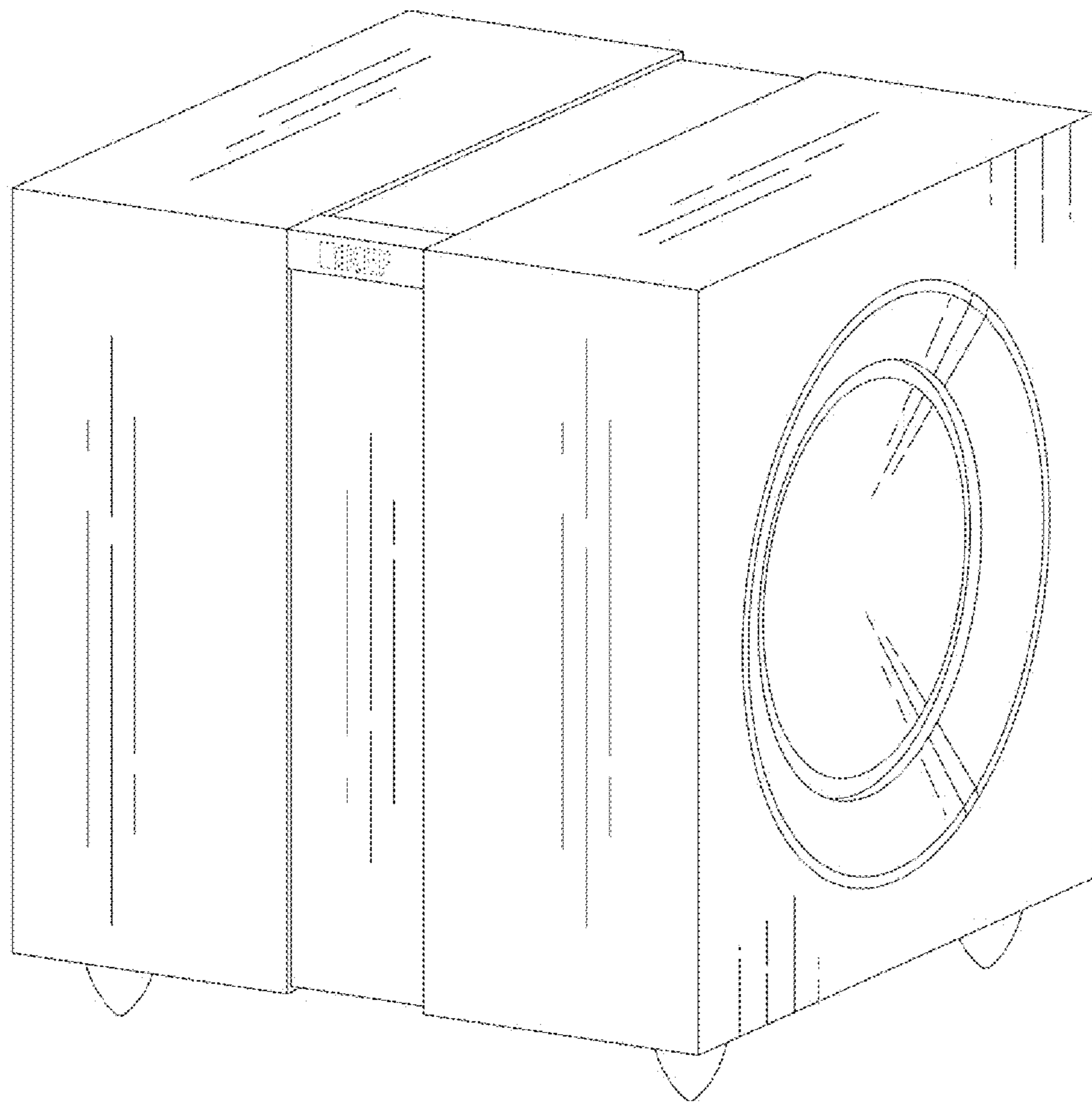


FIG. 7

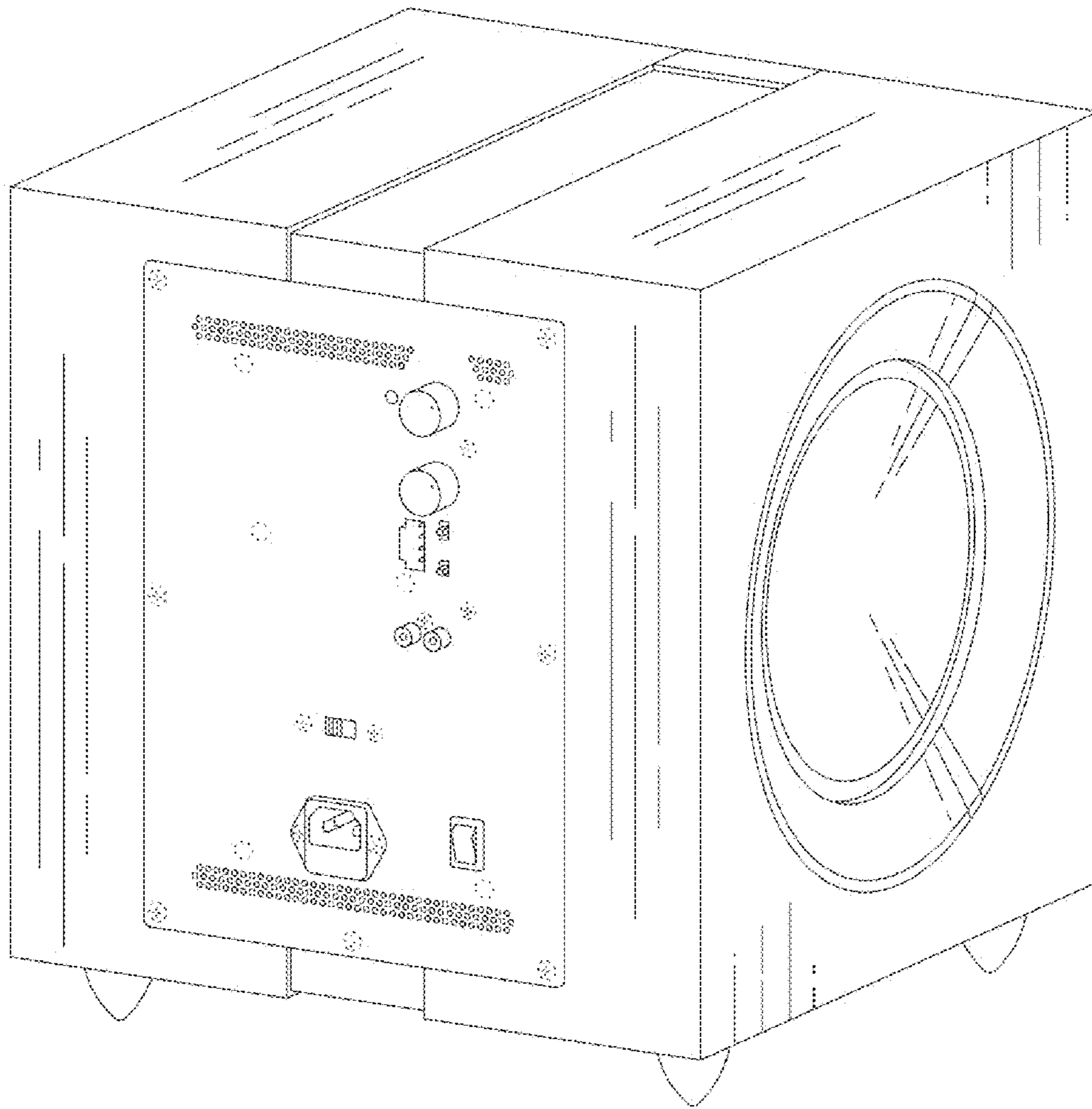


FIG. 8