



US00D674779S

(12) **United States Design Patent**  
**Joseph**

(10) **Patent No.:** **US D674,779 S**  
(45) **Date of Patent:** **\*\* Jan. 22, 2013**

- (54) **WI-FI ENABLED SPEAKER SYSTEM**
- (75) Inventor: **Brian Joseph**, Brooklyn, NY (US)
- (73) Assignee: **SDI Technologies, Inc.**, Rahway, NJ (US)
- (\*\*) Term: **14 Years**
- (21) Appl. No.: **29/408,365**
- (22) Filed: **Dec. 12, 2011**
- (51) **LOC (9) Cl.** ..... **14-03**
- (52) **U.S. Cl.** ..... **D14/214**
- (58) **Field of Classification Search** ..... D14/172, D14/204, 207, 210–216; 181/143, 144, 147, 181/148, 150, 153, 157, 198, 199; 381/300–303, 381/306, 332, 333, 336, 345, 361–364, 386–388  
See application file for complete search history.

- D607,436 S \* 1/2010 Khoo et al. .... D14/215
- D618,252 S \* 6/2010 Bradford et al. .... D14/496
- D621,384 S \* 8/2010 Kao ..... D14/214
- D636,759 S \* 4/2011 Chen ..... D14/214
- D648,743 S \* 11/2011 Chang ..... D14/496
- D657,348 S \* 4/2012 Shim et al. .... D14/214
- D659,119 S \* 5/2012 Brunner et al. .... D14/209.1
- D659,670 S \* 5/2012 Goetzen et al. .... D14/194

\* cited by examiner

*Primary Examiner* — Keli L Hill

(74) *Attorney, Agent, or Firm* — Ostrolenk Faber LLP

(57) **CLAIM**

The ornamental design for a Wi-Fi enabled speaker system, as shown.

**DESCRIPTION**

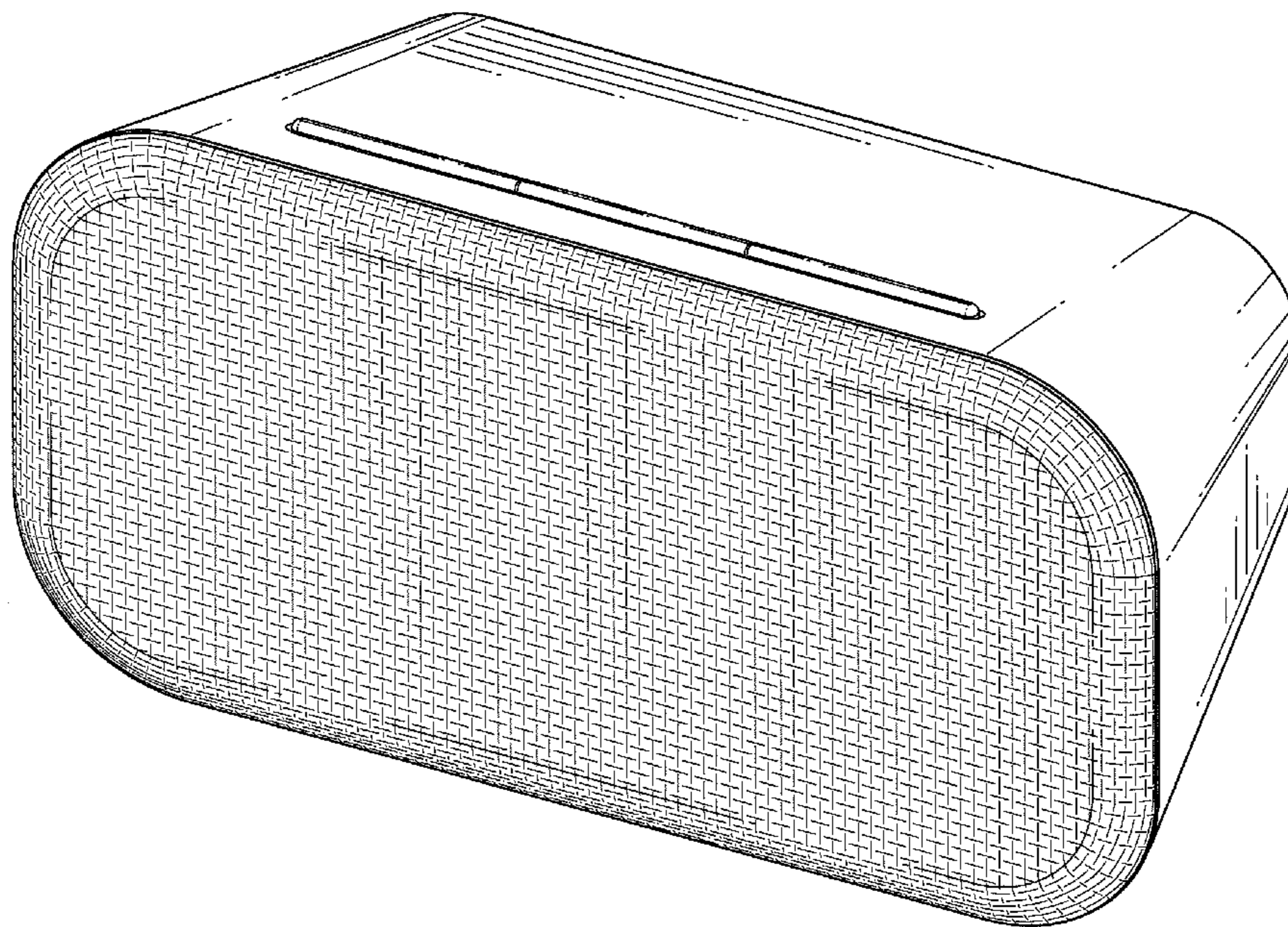
FIG. 1 is a front, right side, perspective view of a Wi-Fi enabled speaker system showing my new design;  
 FIG. 2 is a front view thereof;  
 FIG. 3 is a rear view thereof;  
 FIG. 4 is a top view thereof;  
 FIG. 5 is a bottom view thereof;  
 FIG. 6 is a right side view thereof; and,  
 FIG. 7 is a cross-sectional view thereof along line 7-7 in FIG. 2.

**1 Claim, 7 Drawing Sheets**

(56) **References Cited**

**U.S. PATENT DOCUMENTS**

- D256,914 S \* 9/1980 Rams ..... D14/211
- D397,115 S \* 8/1998 Gremchuck ..... D14/214
- 7,328,769 B1 \* 2/2008 Adamson ..... 181/199
- D573,584 S \* 7/2008 Kim ..... D14/215
- D584,288 S \* 1/2009 Kim ..... D14/215
- D598,006 S \* 8/2009 Tse ..... D14/209.1



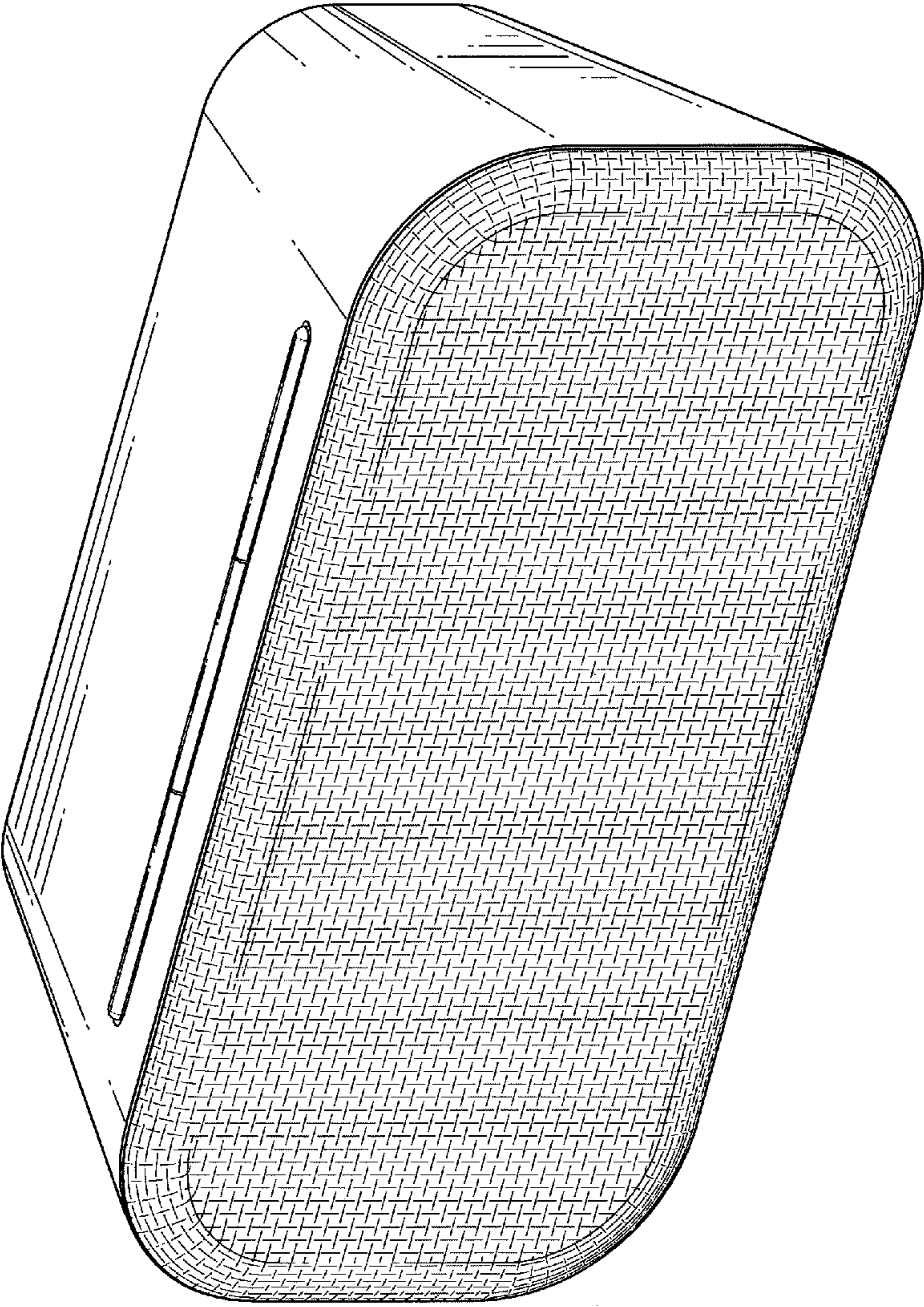


FIG.1



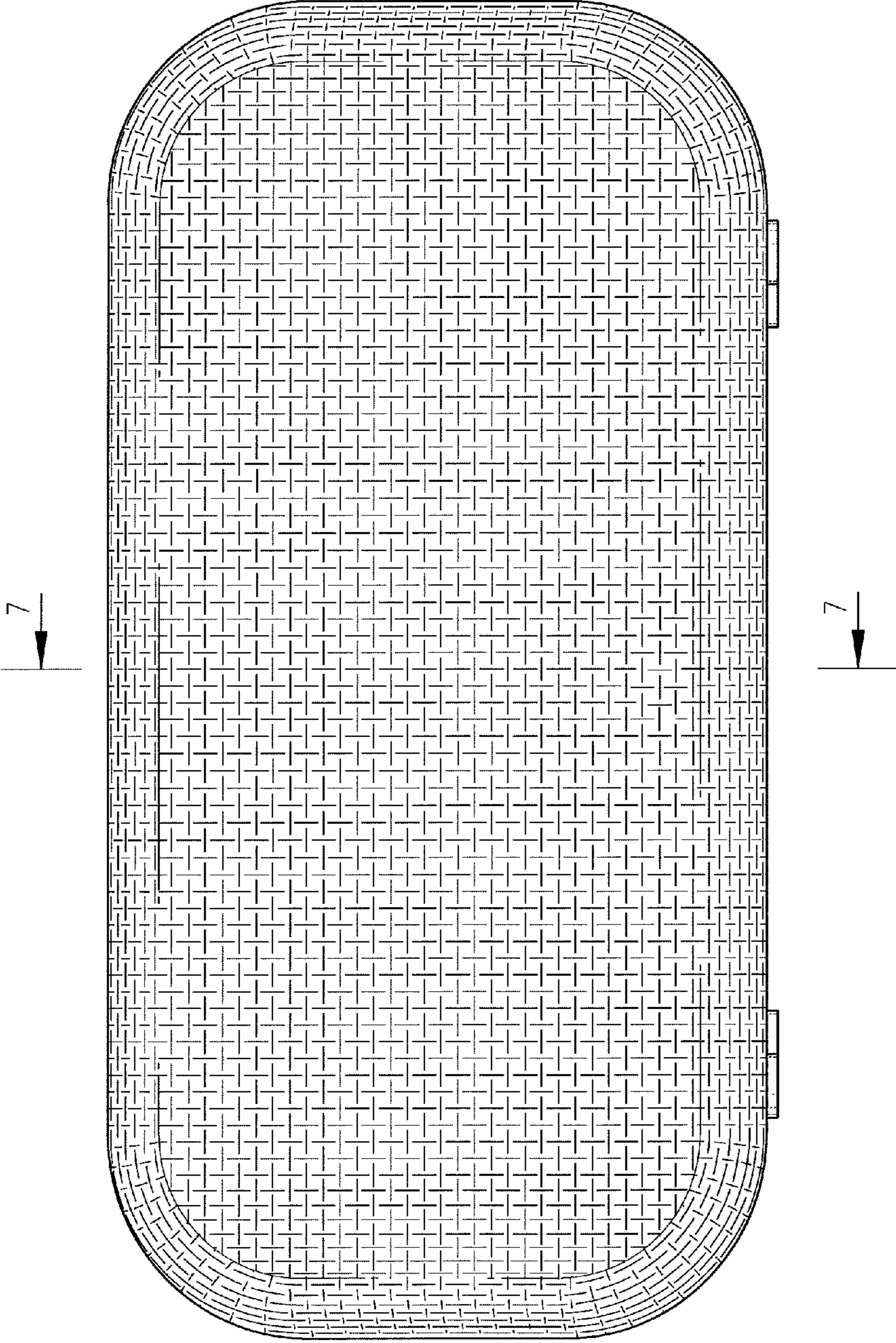


FIG. 2

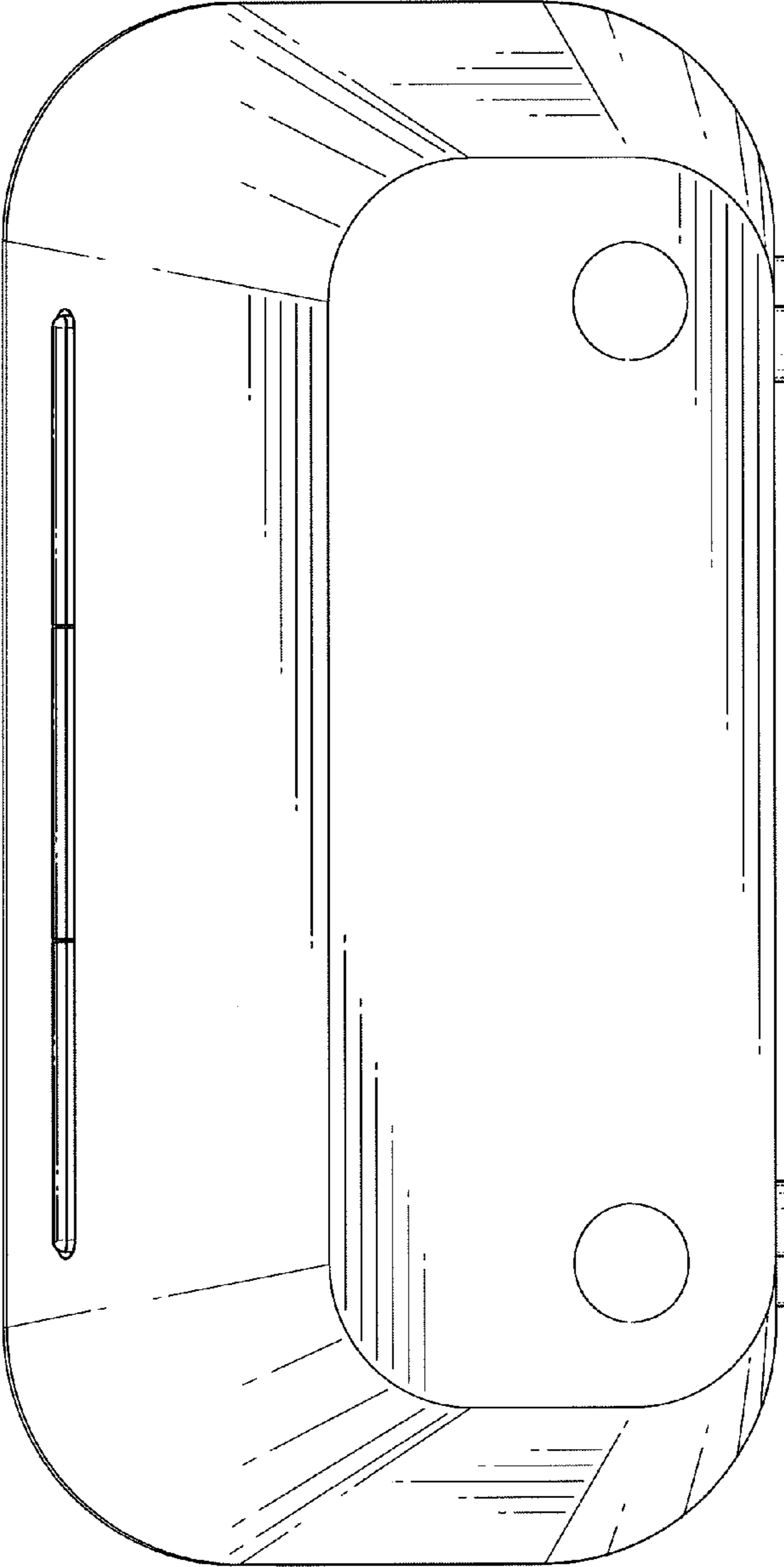


FIG. 3

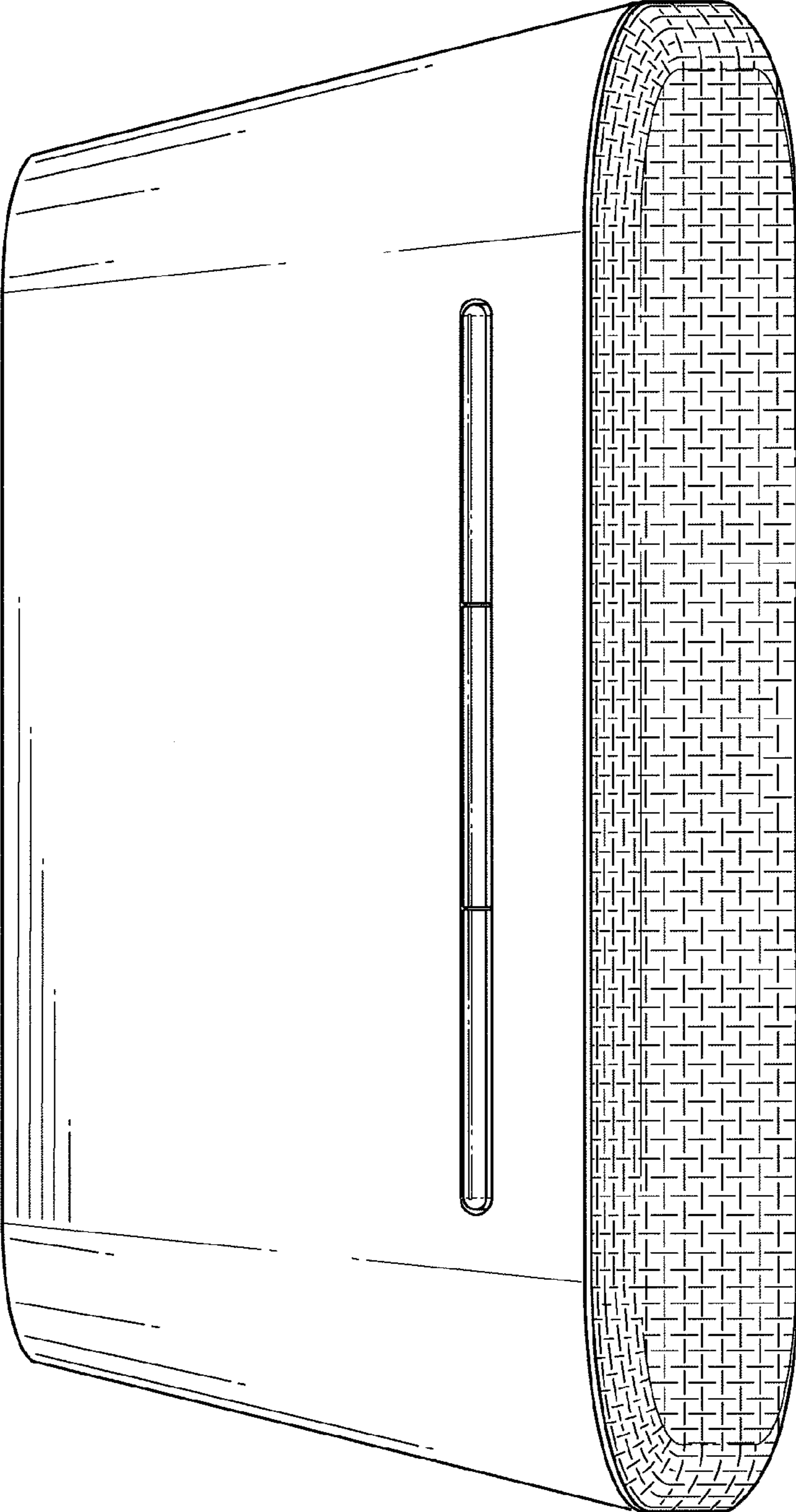


FIG. 4

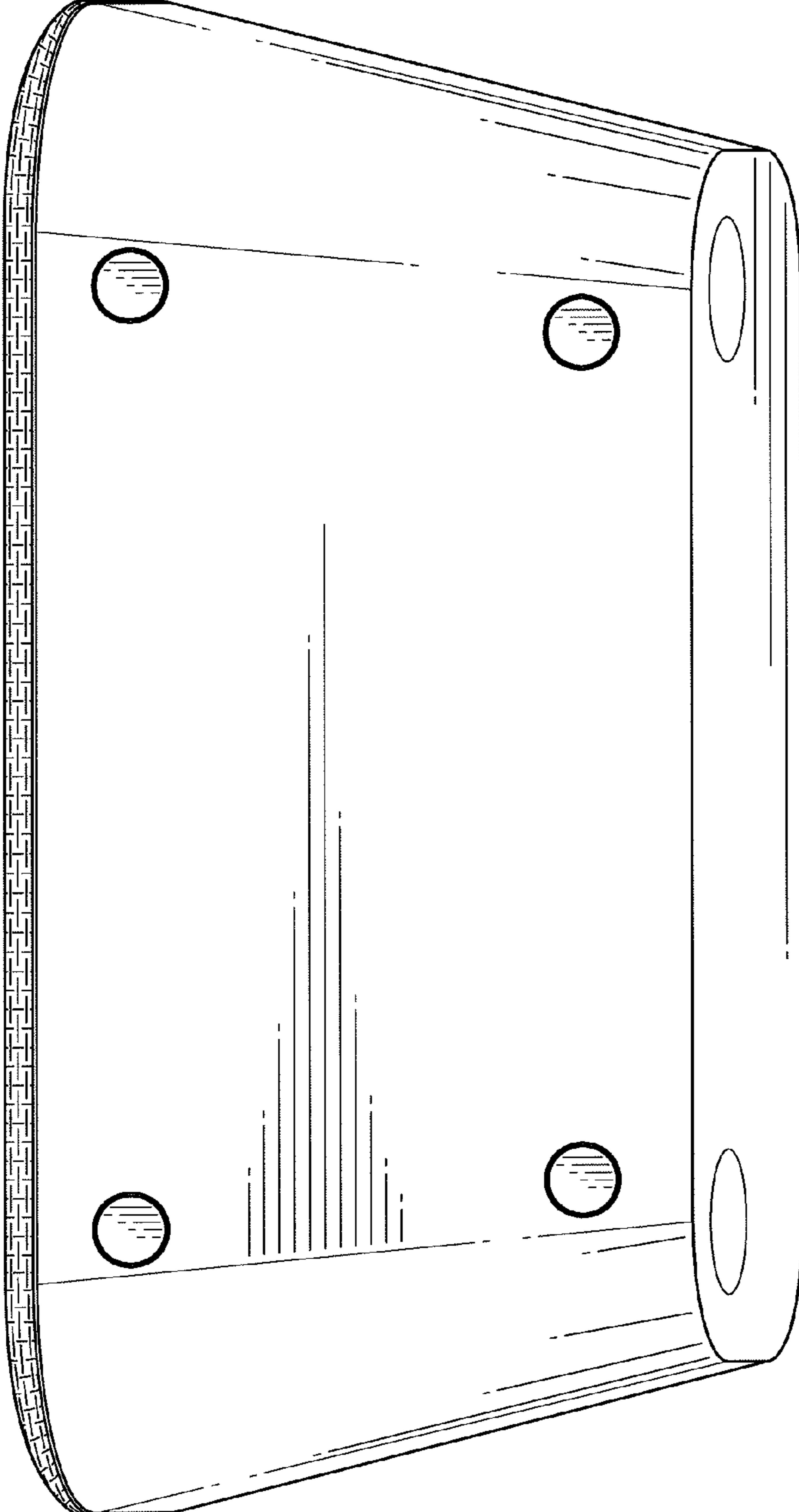


FIG. 5

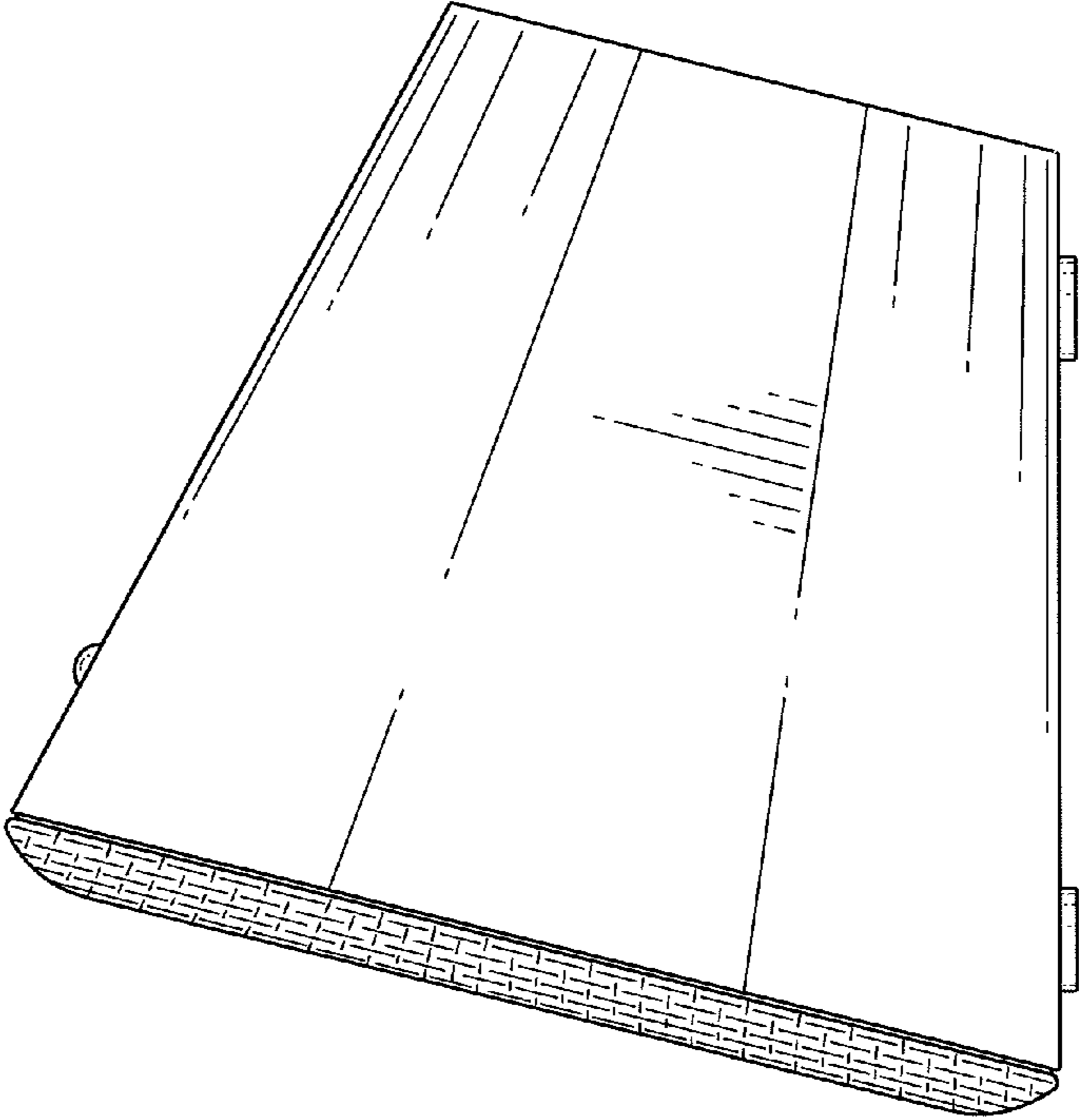


FIG. 6

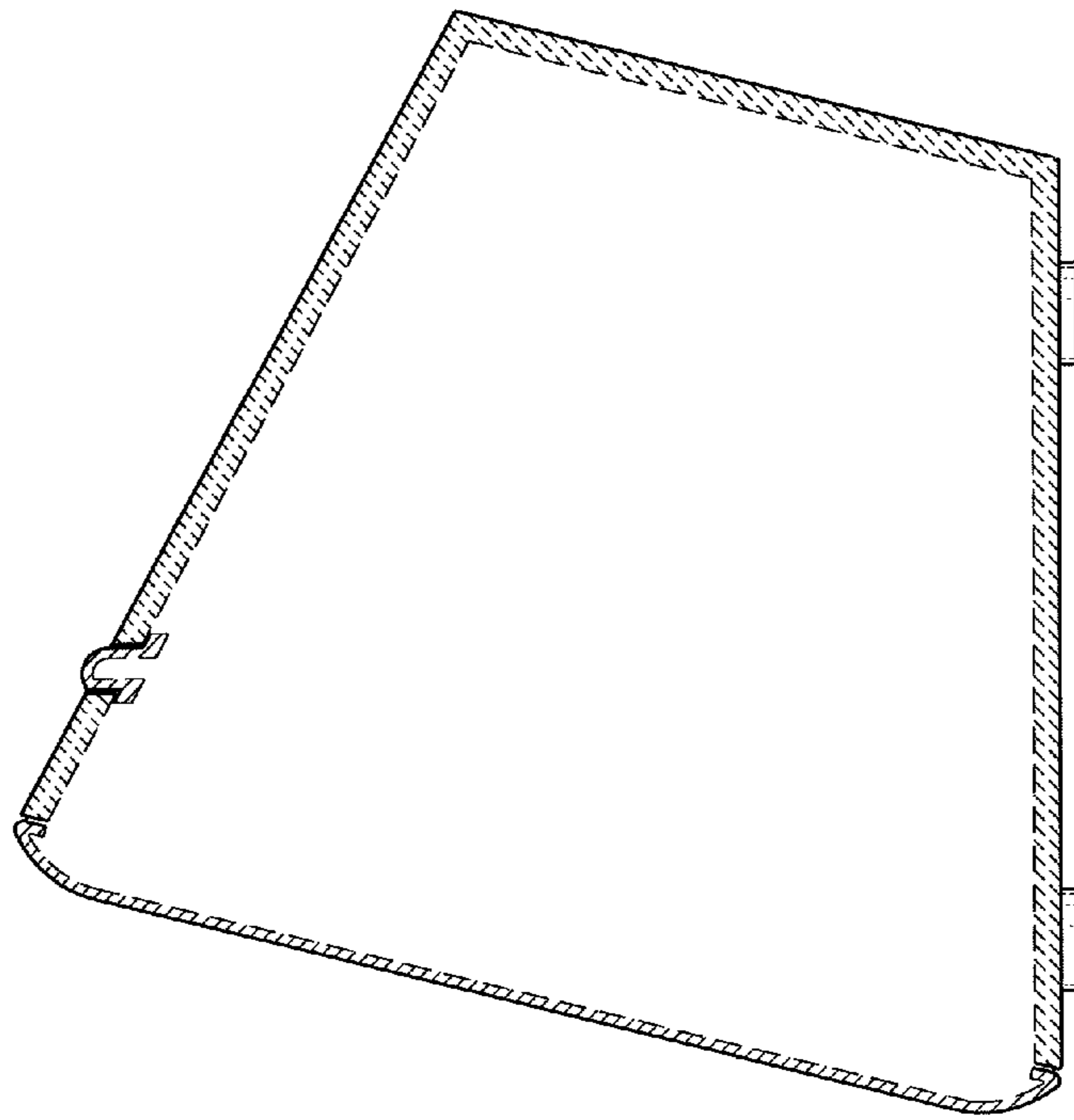


FIG. 7