



US00D674763S

(12) **United States Design Patent**
Kim et al.

(10) **Patent No.:** **US D674,763 S**
(45) **Date of Patent:** **** Jan. 22, 2013**

(54) **LED TELEVISION RECEIVER**

(56) **References Cited**

(75) Inventors: **Tae Uk Kim**, Seoul (KR); **Sun Jung Park**, Seoul (KR); **Jeong Rok Lee**, Seoul (KR); **Yong Seock Kim**, Suwon-si (KR); **Byung Lok Jeon**, Anyang-si (KR)

U.S. PATENT DOCUMENTS

D548,206 S *	8/2007	Han	D14/126
D570,313 S *	6/2008	Shih et al.	D14/126
D581,378 S *	11/2008	Chiu	D14/126
D584,706 S *	1/2009	Yoshimura et al.	D14/126
D609,659 S *	2/2010	VanDuyn	D14/126
D629,371 S *	12/2010	Lim et al.	D14/126
D645,431 S *	9/2011	Boo et al.	D14/126
D648,296 S *	11/2011	Lee et al.	D14/126
D653,636 S *	2/2012	Lee et al.	D14/126
D658,140 S *	4/2012	Hwangbo et al.	D14/126

(73) Assignee: **LG Electronics Inc.**, Seoul (KR)

(**) Term: **14 Years**

(21) Appl. No.: **29/416,353**

* cited by examiner

(22) Filed: **Mar. 21, 2012**

Primary Examiner — Raphael Barkai

(30) **Foreign Application Priority Data**

(74) *Attorney, Agent, or Firm* — Morgan, Lewis & Bockius LLP

Oct. 13, 2011 (KR) 30-2011-0042582

(51) **LOC (9) Cl.** **14-03**

(57) **CLAIM**

We claim the ornamental design for a LED television receiver, as shown and described.

(52) **U.S. Cl.** **D14/126**

DESCRIPTION

(58) **Field of Classification Search** D14/125-134, D14/239, 371, 136, 374-377, 440, 450, 448, D14/336, 342; 312/7.2; 348/836, 838, 180, 348/184, 325, 739; 341/12; 248/917-924, 248/465; 345/104, 133, 156, 168, 87, 173; 720/605, 669, 600, 655; 369/99, 197; D21/329, D21/515, 577, 622, 333, 433, 448, 452, 450, D21/331; D6/477, 479, 300; 273/148 B; 446/484, 175, 356; D10/15, 26

FIG. 1 is a perspective view of a LED television receiver showing our new design:

FIG. 2 is a front elevation view thereof;

FIG. 3 is a rear elevation view thereof;

FIG. 4 is a left-side elevation view thereof;

FIG. 5 is a right-side elevation view thereof;

FIG. 6 is a top plan view thereof; and,

FIG. 7 is a bottom plan view thereof.

See application file for complete search history.

1 Claim, 4 Drawing Sheets

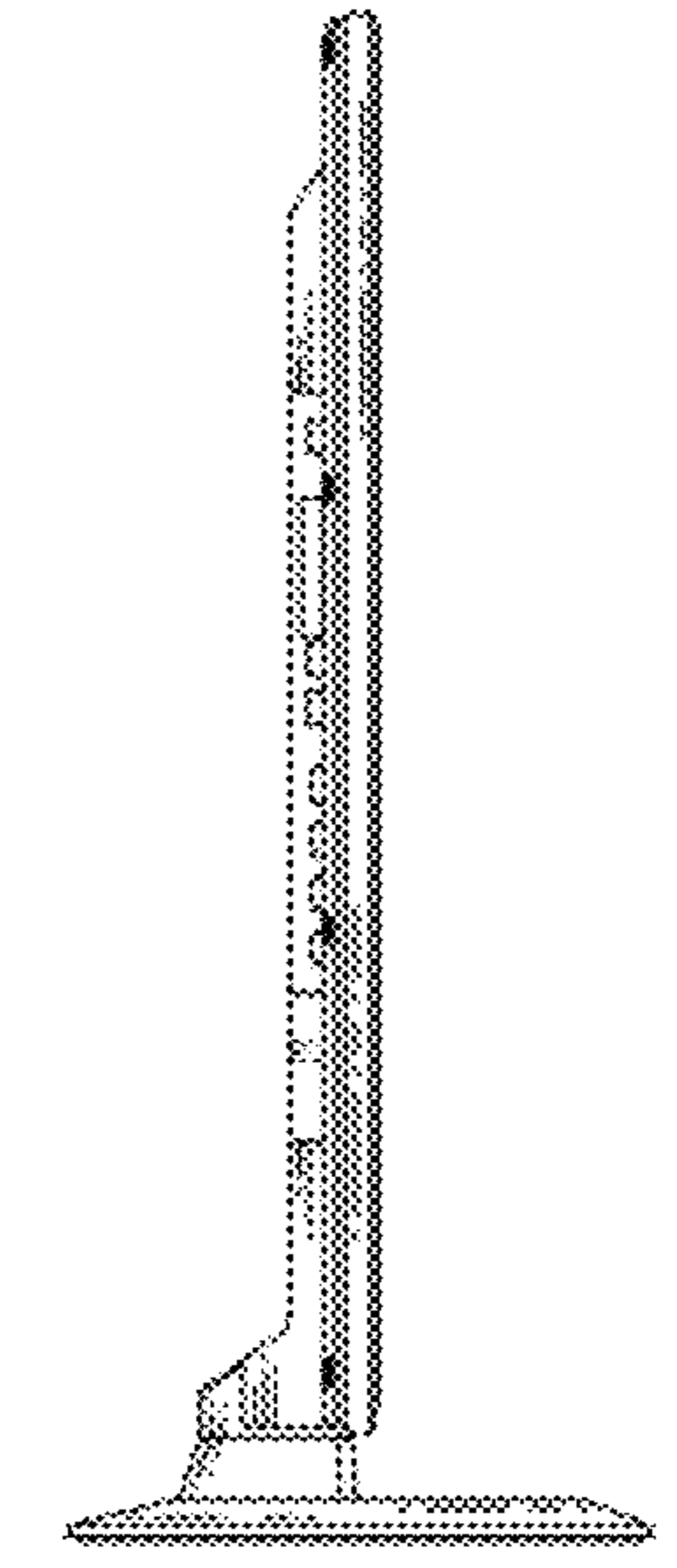
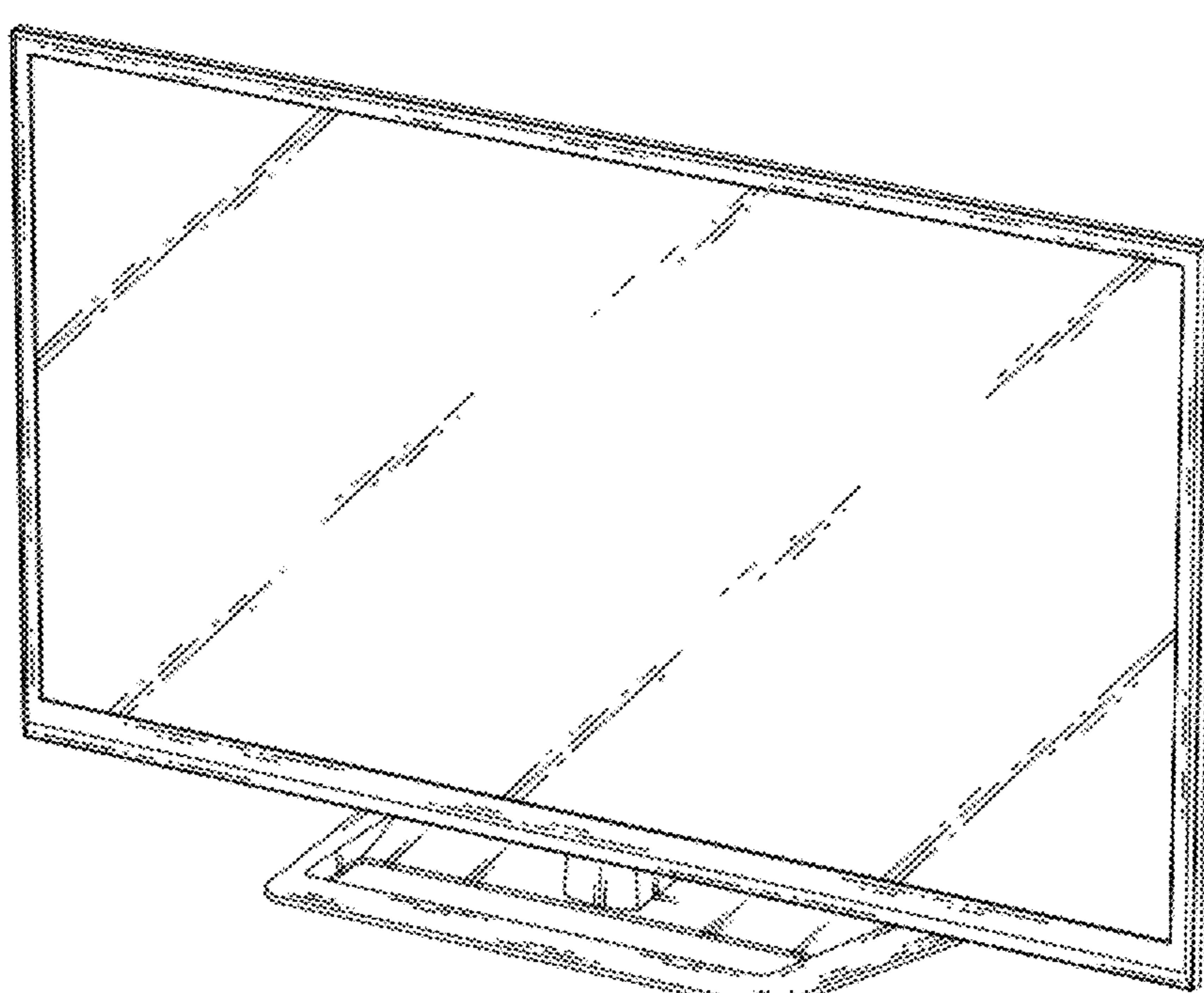


FIG. 1

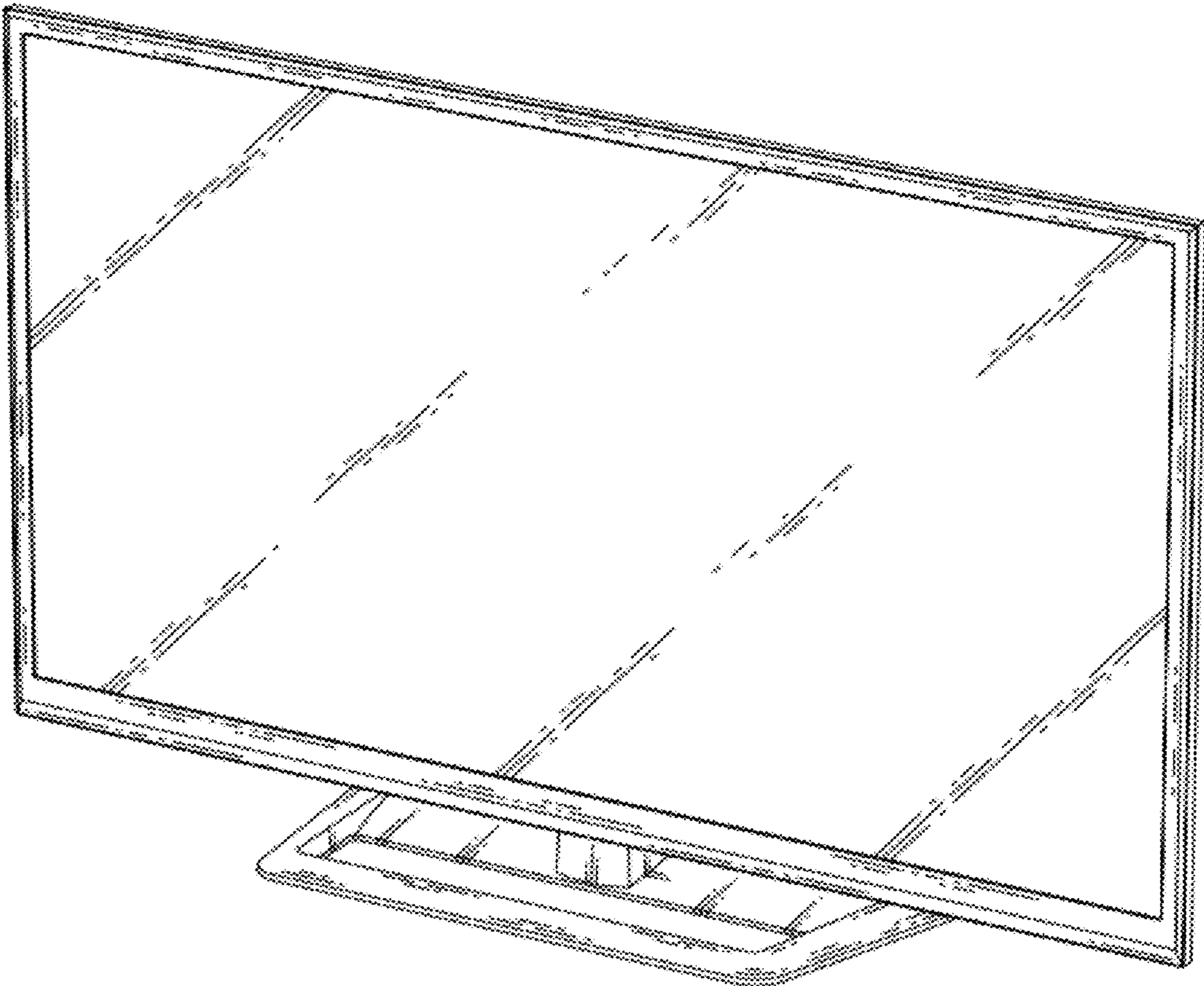


FIG. 2

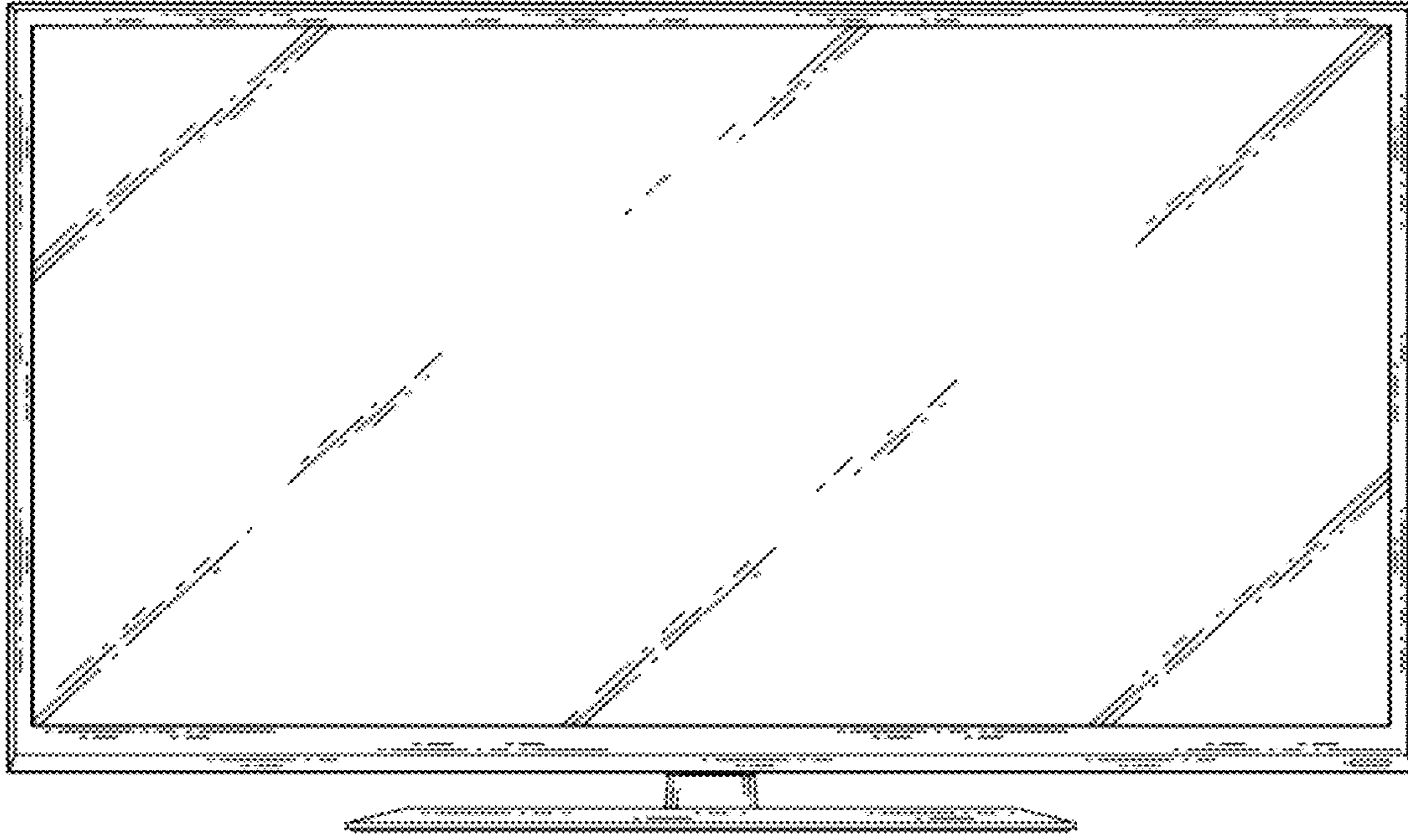


FIG. 3

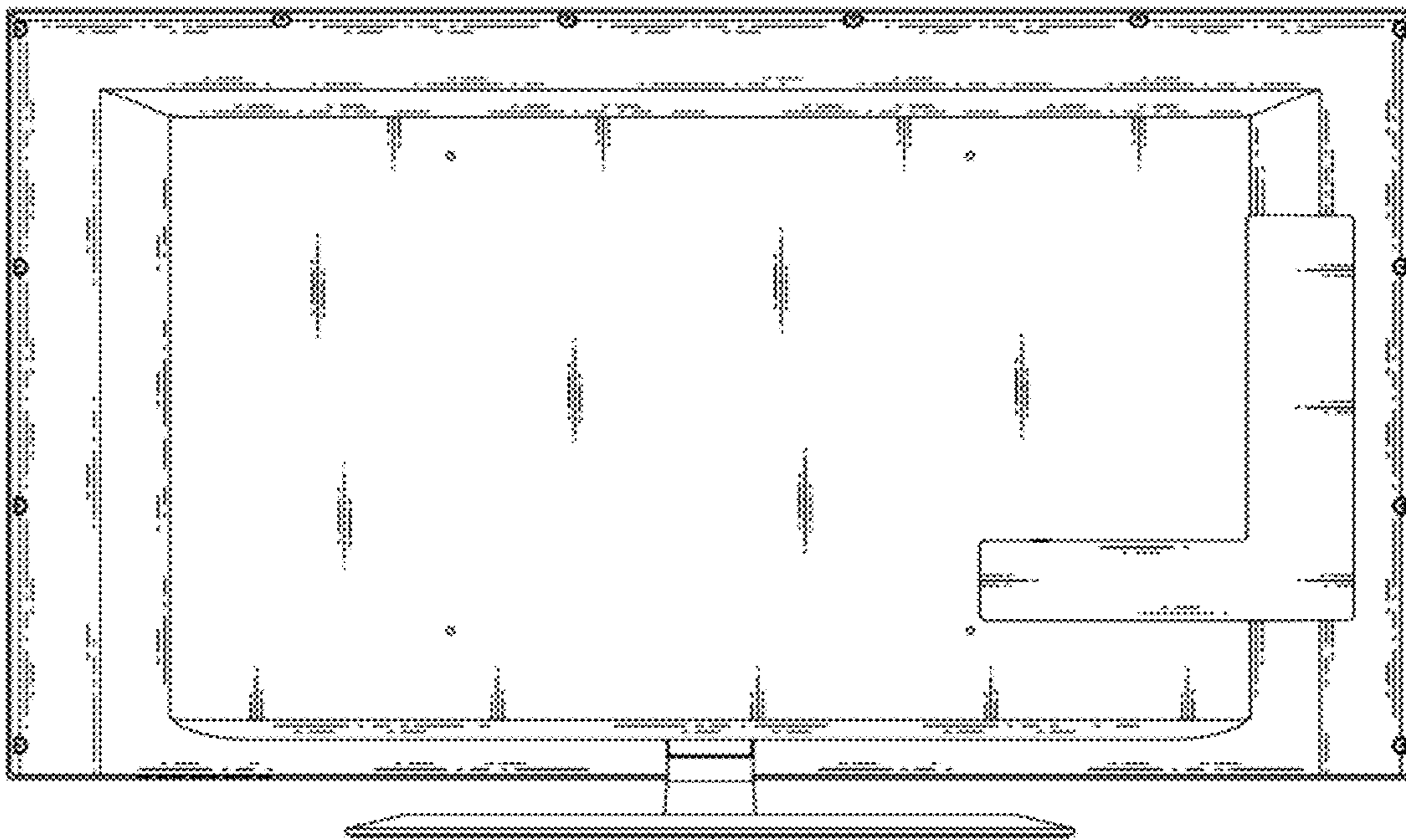


FIG. 4

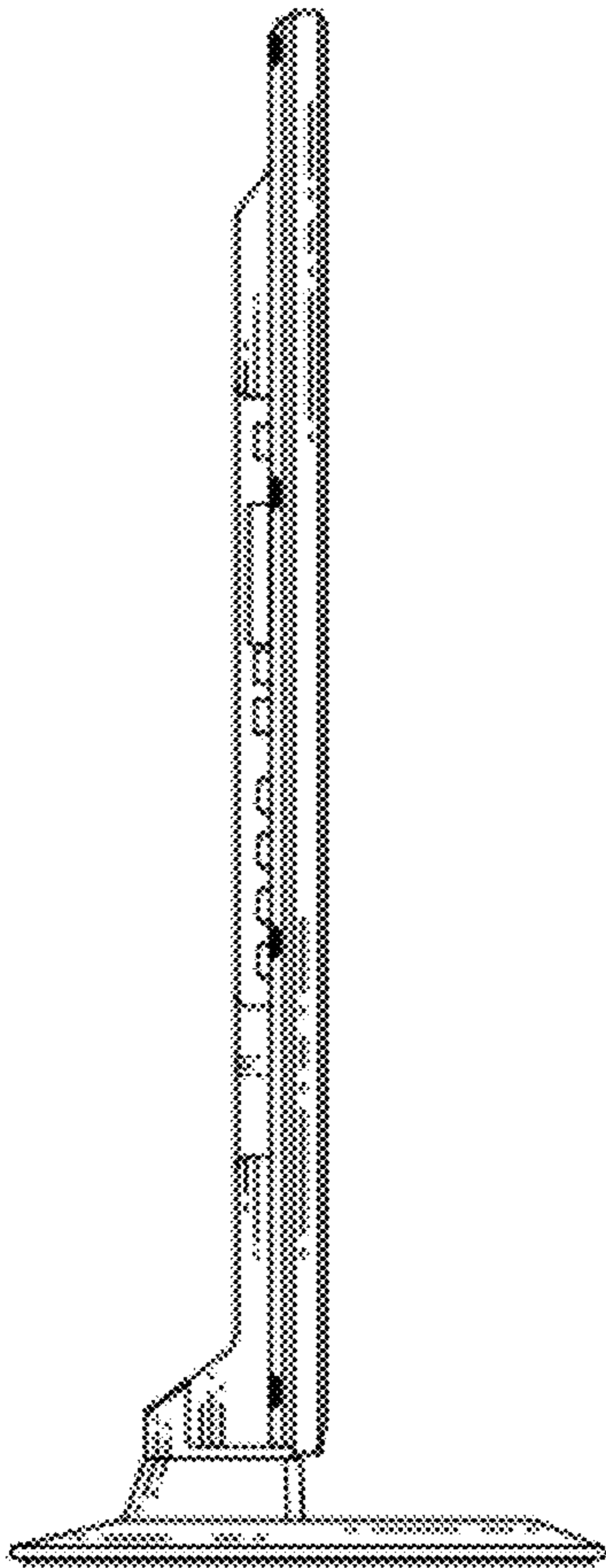


FIG. 5

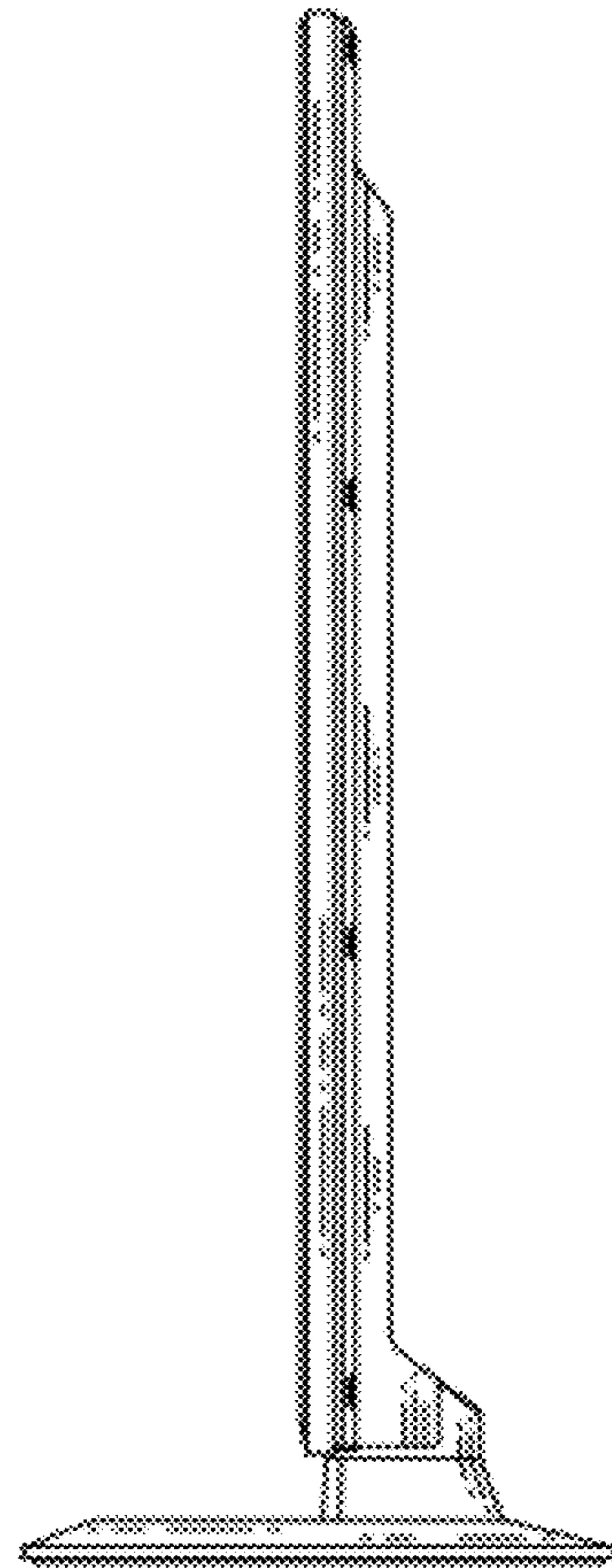


FIG. 6

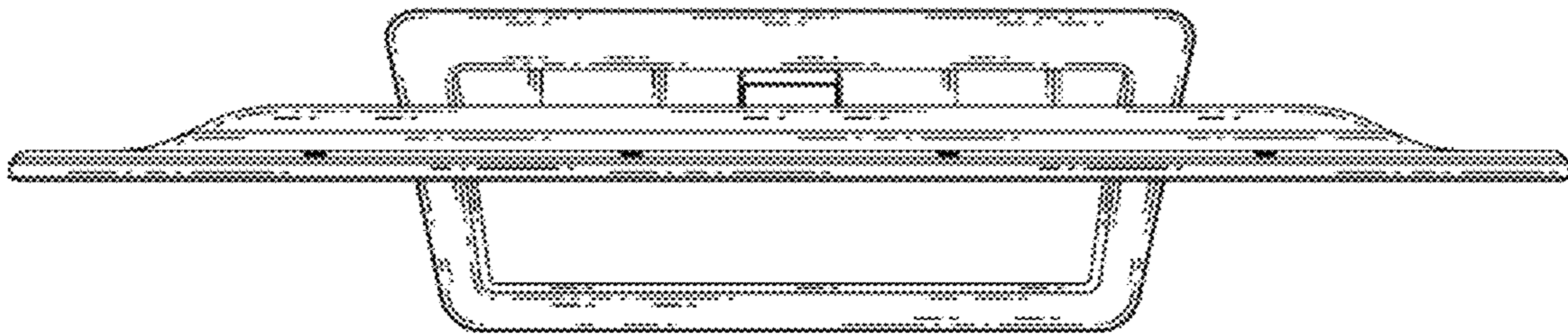


FIG. 7

