



US00D674757S

(12) **United States Design Patent**  
**Wu et al.**

(10) **Patent No.:** **US D674,757 S**  
(45) **Date of Patent:** **\*\* Jan. 22, 2013**

(54) **PACKAGE CARRIER OF LIGHT EMITTING DIODE**

(75) Inventors: **Chia-Hao Wu**, Taipei (TW); **Chen-Hsiu Lin**, Taipei (TW); **Ming-Kun Weng**, Taipei (TW); **Yi-Chien Chang**, Taipei (TW)

(73) Assignees: **Silitek Electronics (Guangzhou) Co., Ltd.**, Guangzhou (CN); **Lite-On Technology Corp.**, Taipei (TW)

(\*\*) Term: **14 Years**

(21) Appl. No.: **29/410,013**

(22) Filed: **Jan. 3, 2012**

(30) **Foreign Application Priority Data**

Oct. 31, 2011 (CN) ..... 2011 3 0403880

(51) **LOC (9) Cl.** ..... **13-03**

(52) **U.S. Cl.** ..... **D13/180**

(58) **Field of Classification Search** ..... D13/180;  
D26/1, 2; 257/79, 80, 81, 88, 89, 95, 98,  
257/99, 100, E33.058; 313/483, 498, 500;  
362/555, 800

See application file for complete search history.

(56) **References Cited**

**U.S. PATENT DOCUMENTS**

6,686,609	B1 *	2/2004	Sung	.....	257/100
6,858,870	B2 *	2/2005	Lee	.....	257/79
7,067,848	B1 *	6/2006	Lee et al.	.....	257/99
D615,504	S *	5/2010	Keller et al.	.....	D13/180
D622,683	S *	8/2010	Yamada	.....	D13/180
7,821,023	B2 *	10/2010	Yuan et al.	.....	257/98
D628,169	S *	11/2010	Yamada	.....	D13/180
D631,019	S *	1/2011	Chan Wang et al.	.....	D13/180
D631,020	S *	1/2011	Chuang et al.	.....	D13/180
7,960,744	B2 *	6/2011	Seo et al.	.....	257/89
D644,190	S *	8/2011	Shimizu et al.	.....	D13/180
D645,416	S *	9/2011	Kuwaharada et al.	.....	D13/180

D649,943	S *	12/2011	Kuwaharada et al.	.....	D13/180
D649,944	S *	12/2011	Kuwaharada et al.	.....	D13/180
D650,343	S *	12/2011	Andrews et al.	.....	D13/180
8,124,988	B2 *	2/2012	Peng	.....	257/88
D656,906	S *	4/2012	Leung	.....	D13/180
D658,139	S *	4/2012	Andrews et al.	.....	D13/180
D660,257	S *	5/2012	Andrews et al.	.....	D13/180
D660,258	S *	5/2012	Hsu et al.	.....	D13/180
2002/0190262	A1 *	12/2002	Nitta et al.	.....	257/99
2009/0108281	A1 *	4/2009	Keller et al.	.....	257/98
2010/0117099	A1 *	5/2010	Leung	.....	257/88
2010/0123144	A1 *	5/2010	Chao	.....	257/88
2010/0127283	A1 *	5/2010	van de Ven et al.	.....	257/89
2010/0140633	A1 *	6/2010	Emerson	.....	257/88
2010/0140634	A1 *	6/2010	van de Ven et al.	.....	257/88
2010/0252851	A1 *	10/2010	Emerson et al.	.....	257/98
2011/0006317	A1 *	1/2011	McMillan	.....	257/89
2011/0062482	A1 *	3/2011	Solomensky et al.	.....	257/99
2011/0210346	A1 *	9/2011	Chen et al.	.....	257/88
2011/0248289	A1 *	10/2011	Hsieh et al.	.....	257/88
2012/0138967	A1 *	6/2012	Shimizu et al.	.....	257/88
2012/0199852	A1 *	8/2012	Lowes et al.	.....	257/88

\* cited by examiner

*Primary Examiner* — Selina Sikder

(74) *Attorney, Agent, or Firm* — Rosenberg, Klein & Lee

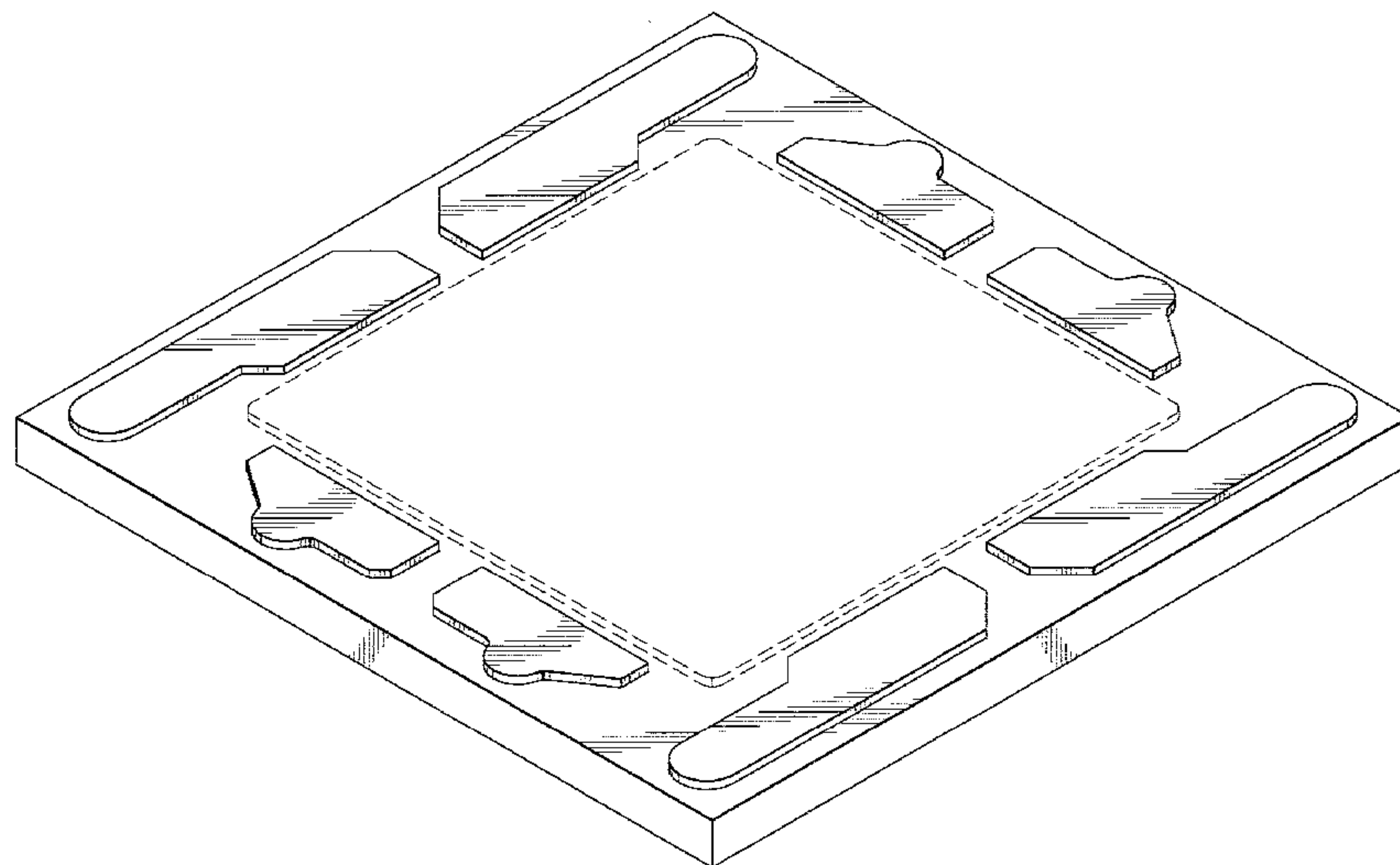
(57) **CLAIM**

The ornamental design for package carrier of light emitting diode, as shown and described.

**DESCRIPTION**

FIG. 1 is a perspective view of package carrier of light emitting diode showing my new design;  
FIG. 2 is a front elevational view thereof;  
FIG. 3 is a rear elevational view thereof;  
FIG. 4 is a left side elevational view thereof;  
FIG. 5 is a right side elevational view thereof;  
FIG. 6 is a top plan view thereof; and,  
FIG. 7 is a bottom plan view thereof.  
The portions shown in dashed lines are for illustrative purposes only and form no part of the claimed design.

**1 Claim, 5 Drawing Sheets**



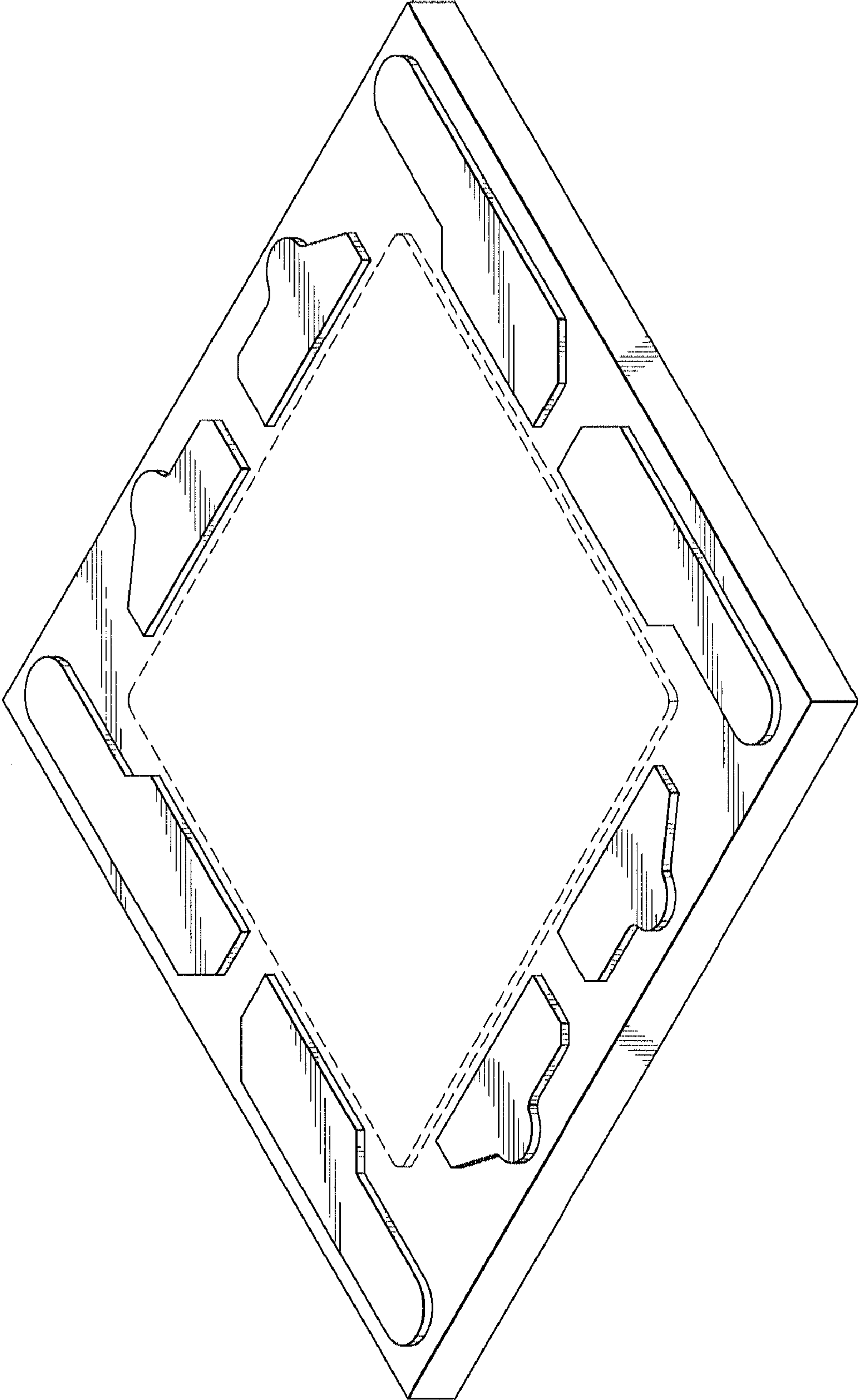


FIG. 1

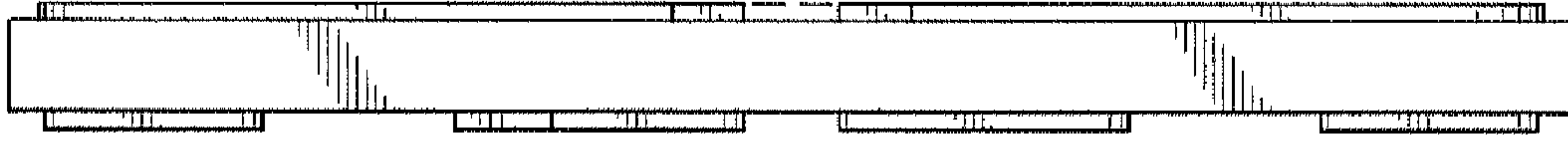


FIG. 2

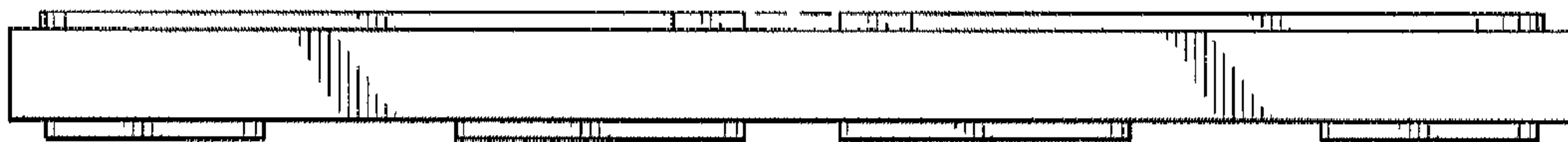


FIG. 3



FIG. 4



FIG. 5

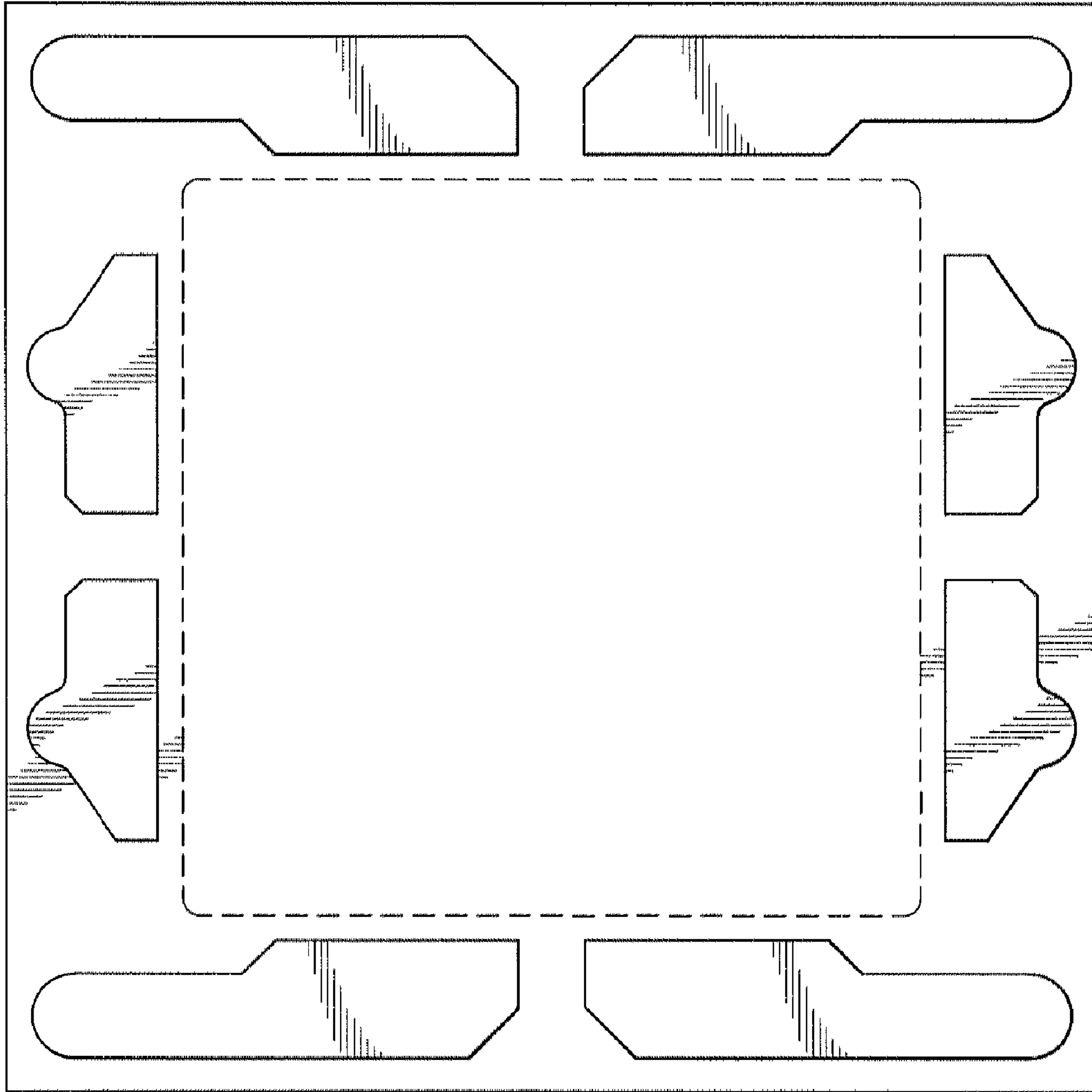


FIG. 6



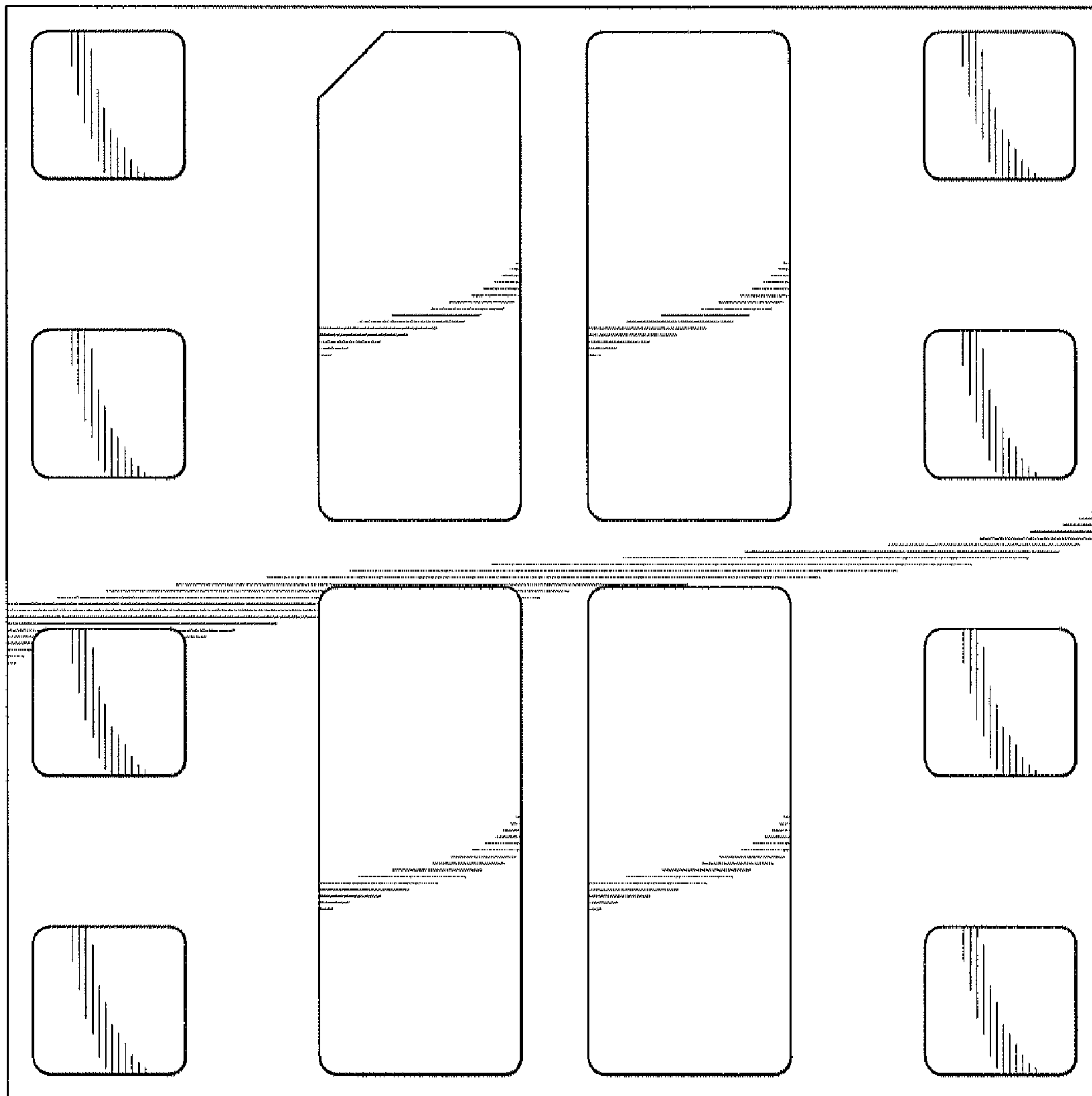


FIG. 7