



US00D674755S

(12) **United States Design Patent**  
**Suzuki**

(10) **Patent No.:** **US D674,755 S**

(45) **Date of Patent:** **\*\* Jan. 22, 2013**

(54) **SIGNAL CONVERTER**

(75) Inventor: **Toshihide Suzuki**, Hamamatsu (JP)

(73) Assignee: **Yamaha Corporation**, Shizuoka (JP)

(\*\*) Term: **14 Years**

(21) Appl. No.: **29/396,023**

(22) Filed: **Jun. 24, 2011**

(30) **Foreign Application Priority Data**

Dec. 24, 2010 (JP) ..... D2010-030790

(51) **LOC (9) Cl.** ..... **13-03**

(52) **U.S. Cl.** ..... **D13/147**

(58) **Field of Classification Search** ..... D13/133,  
D13/146, 147, 153, 154, 184, 199; 439/79,  
439/248, 258, 274, 350, 352, 353, 354, 357,  
439/358, 374, 447, 476.1, 594, 598, 607.01,  
439/607.04, 607.05, 607.17, 607.25, 607.34,  
439/607.41, 607.53, 656, 660, 668, 680,  
439/711, 745, 752

See application file for complete search history.

(56) **References Cited**

U.S. PATENT DOCUMENTS

D517,489	S	*	3/2006	Kawase et al.	.....	D13/147
D518,790	S	*	4/2006	Nishio et al.	.....	D13/147
D521,938	S	*	5/2006	Nishio et al.	.....	D13/147
D617,282	S	*	6/2010	Tung et al.	.....	D13/147
D636,339	S	*	4/2011	Hsu et al.	.....	D13/147
D638,365	S	*	5/2011	Hsu et al.	.....	D13/147
D647,487	S	*	10/2011	Zong	.....	D13/147

\* cited by examiner

*Primary Examiner* — Daniel Bui

(74) *Attorney, Agent, or Firm* — Sughrue Mion, PLLC

(57) **CLAIM**

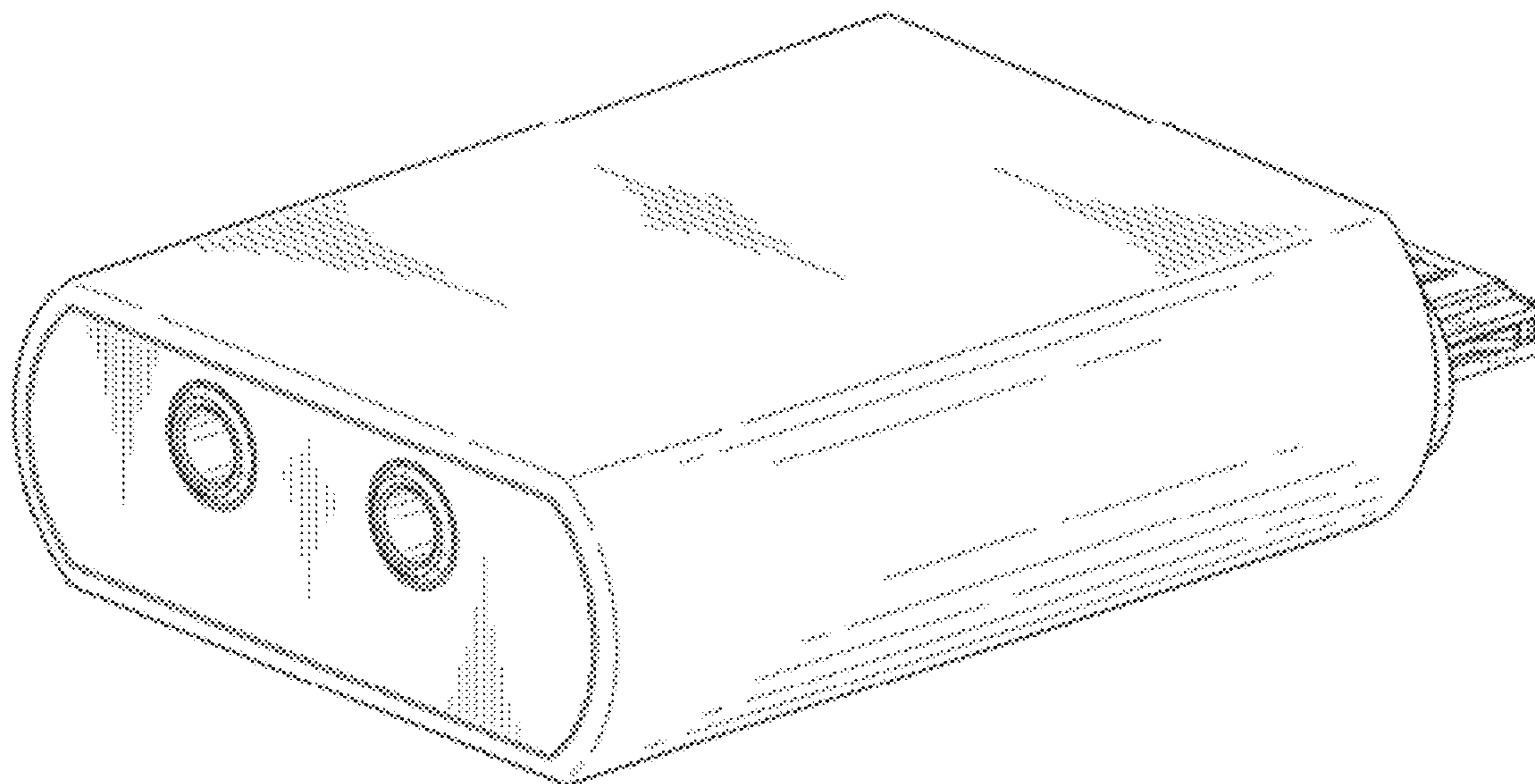
The ornamental design for a signal converter, as shown and described.

**DESCRIPTION**

FIG. 1 is a perspective view of the front, top and left side of a signal converter showing my new design;  
FIG. 2 is a front view thereof, the rear being a mirror image;  
FIG. 3 is a left side view thereof;  
FIG. 4 is a right side view thereof;  
FIG. 5 is a top view thereof; and,  
FIG. 6 is a bottom view thereof.

The broken line portion in the figure drawings is included to show unclaimed environment and forms no part of the claimed design.

**1 Claim, 3 Drawing Sheets**



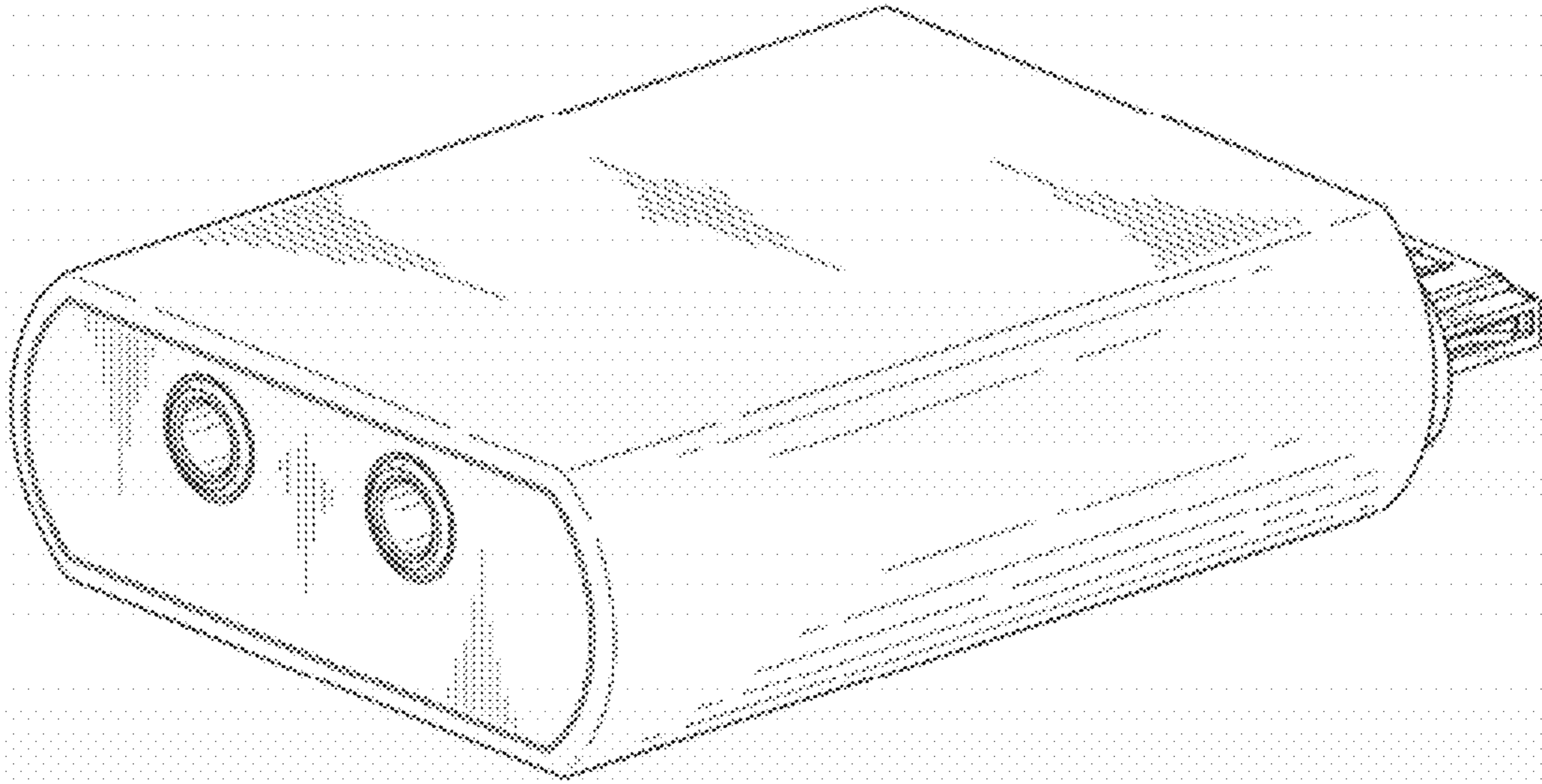


FIG. 1

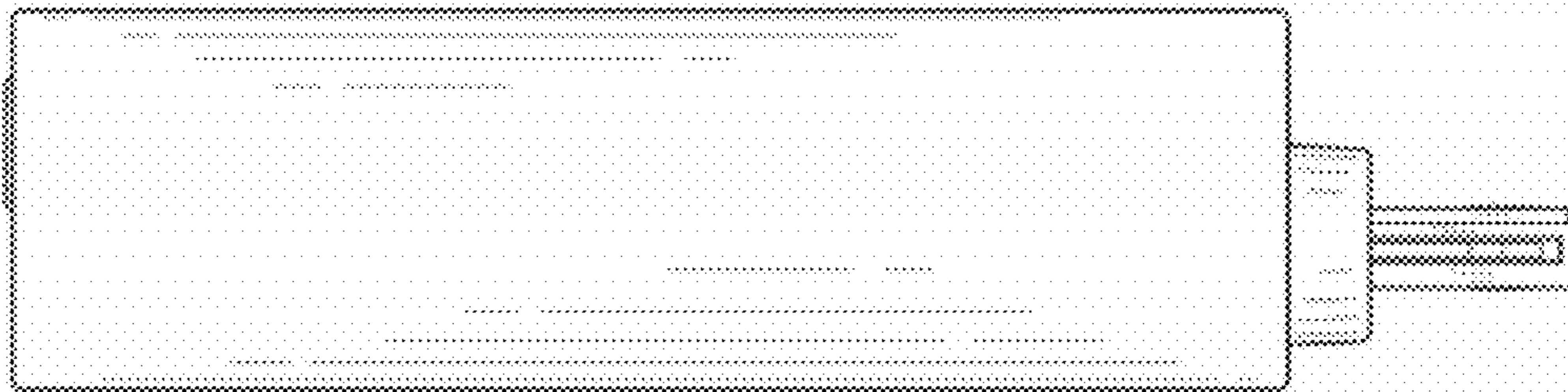


FIG. 2

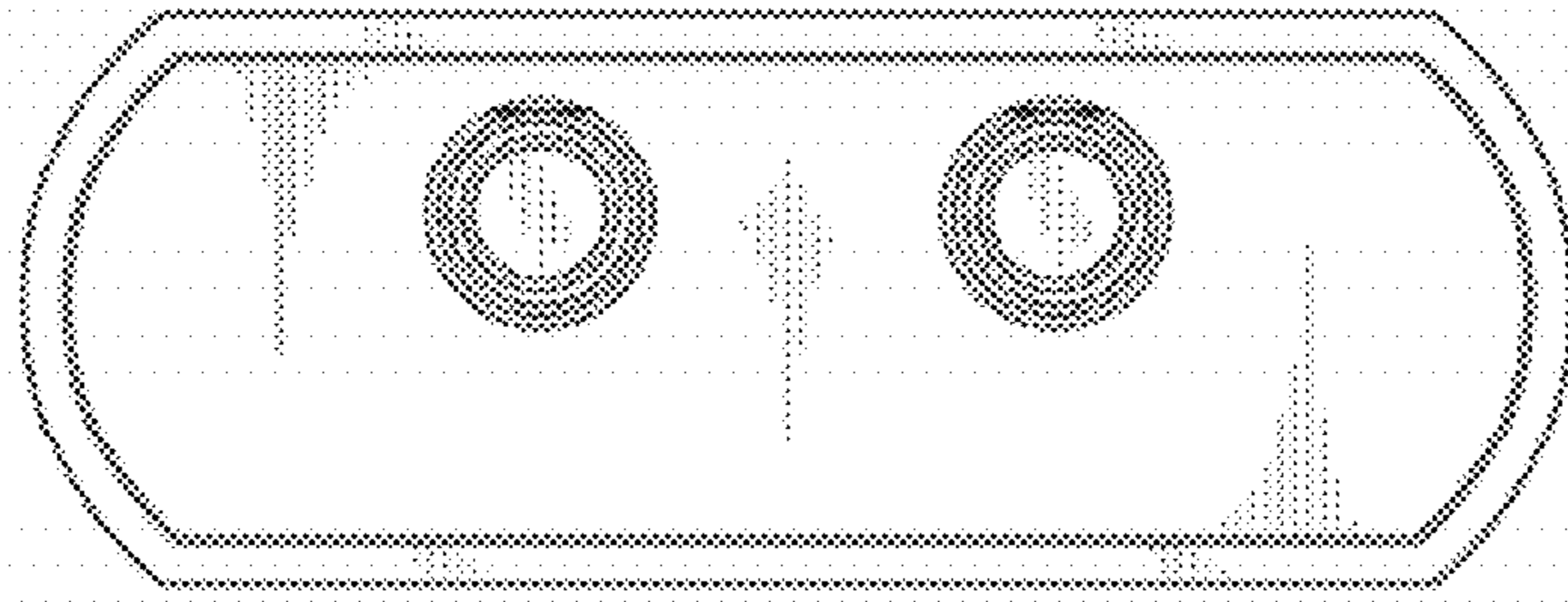


FIG. 3

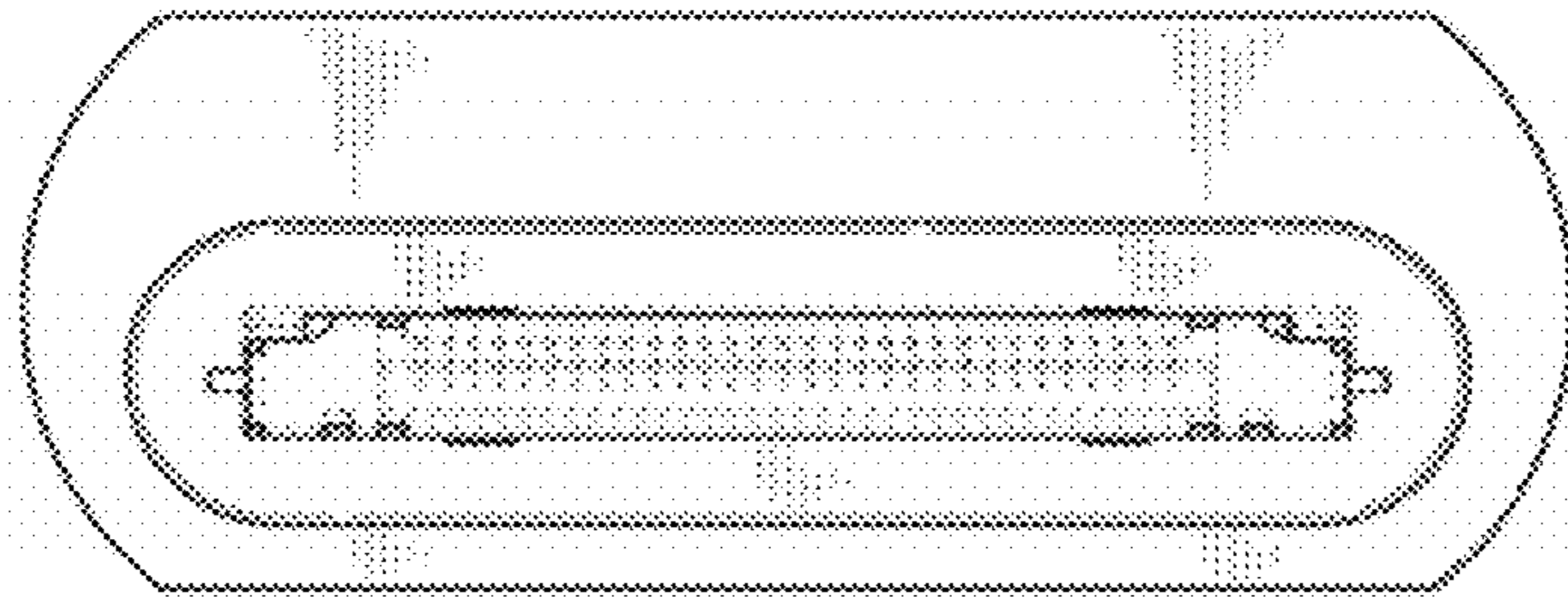


FIG. 4

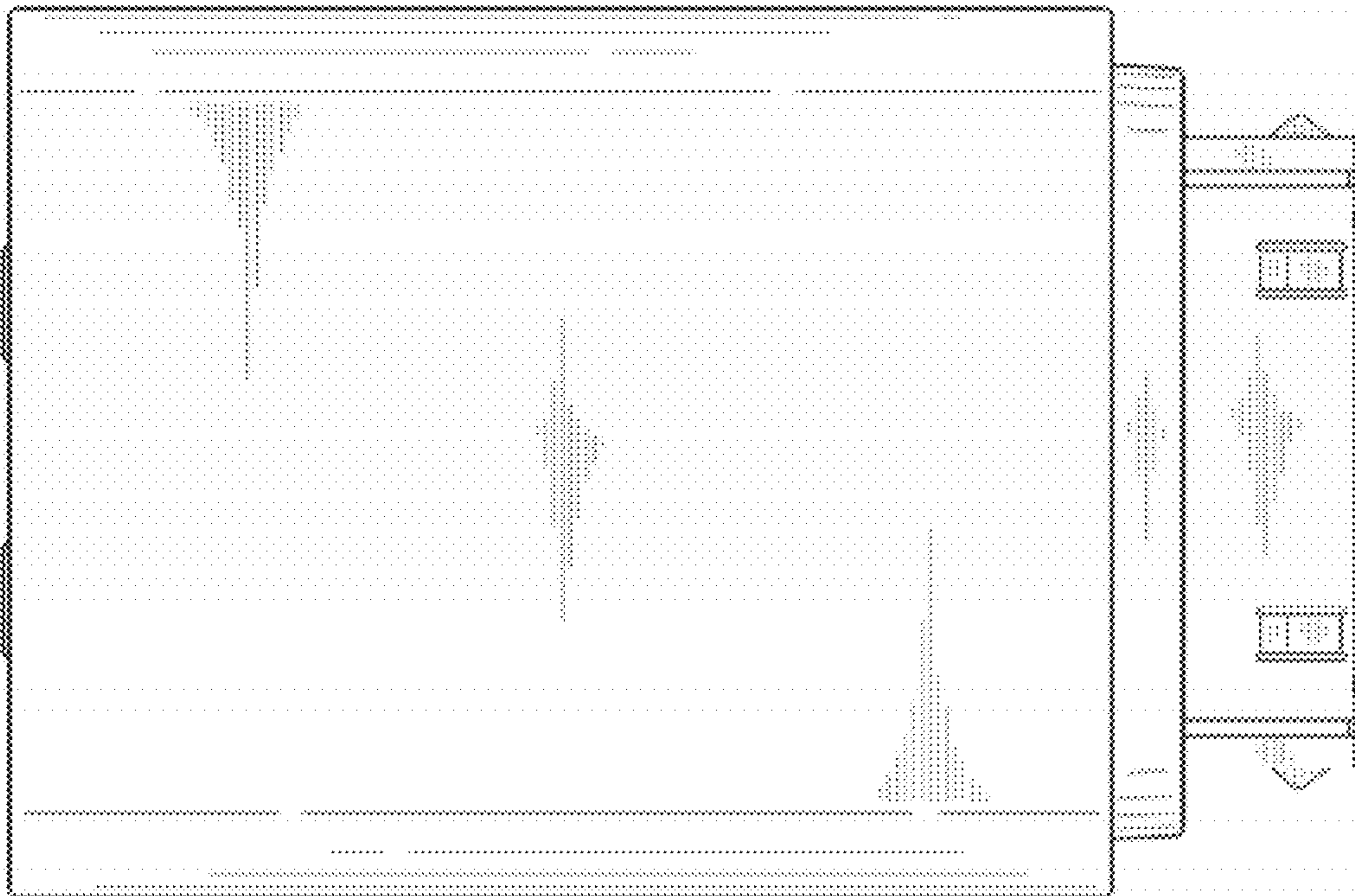


FIG. 5



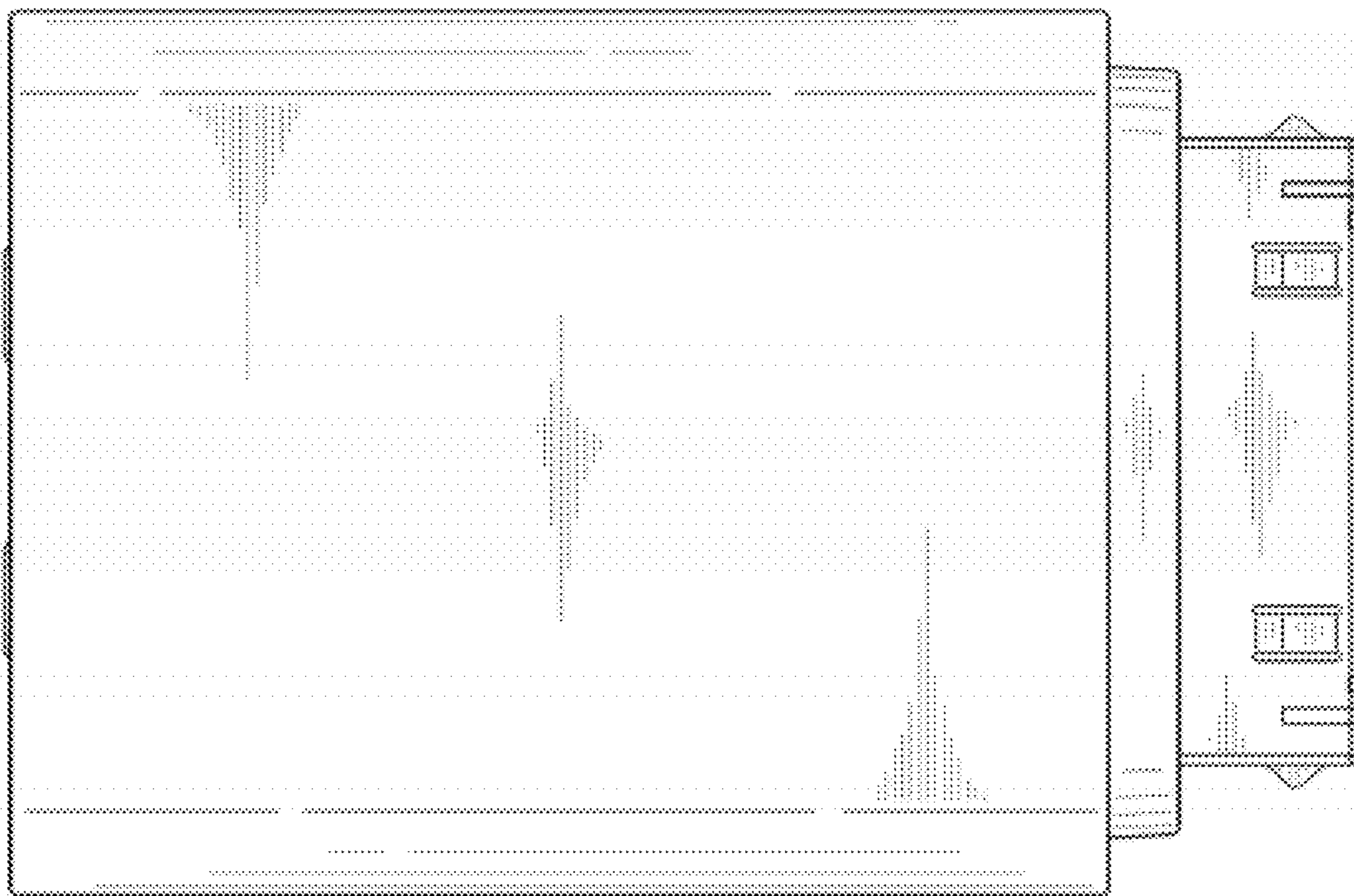


FIG. 6