



US00D674752S

(12) **United States Design Patent**
Kristensson et al.

(10) **Patent No.:** **US D674,752 S**
(45) **Date of Patent:** **** Jan. 22, 2013**

(54) **MOTOR STARTER DISPLAY**

(75) Inventors: **Jesper Kristensson**, Stockholm (SE);
Jorgen Karlsson, Eskilstuna (SE);
Soren Kling, Vasteras (SE)

(73) Assignee: **ABB AB** (SE)

(**) Term: **14 Years**

(21) Appl. No.: **29/426,538**

(22) Filed: **Jul. 6, 2012**

Related U.S. Application Data

(62) Division of application No. 29/379,001, filed on Nov. 12, 2010.

(30) **Foreign Application Priority Data**

May 12, 2010 (EM) 001707167

(51) **LOC (9) Cl.** **13-01**

(52) **U.S. Cl.** **D13/122; D13/162**

(58) **Field of Classification Search** D13/122,
D13/118, 162, 164, 168, 173, 177, 184, 199;
D14/485-495; D18/24, 26; D20/10, 11,
D20/12; 361/679.21, 679.26, 679.29; 700/17,
700/83; 715/700-713, 715, 768, 769, 810,
715/835

See application file for complete search history.

(56) **References Cited**

U.S. PATENT DOCUMENTS

D296,776 S	7/1988	Hansen et al.	
D328,763 S	8/1992	Laviana et al.	
D350,531 S *	9/1994	Tsuji	D13/164
D368,493 S	4/1996	Boes et al.	
D434,734 S *	12/2000	Davis et al.	D13/162
D443,595 S	6/2001	Pawley	
D458,229 S *	6/2002	Albrecht et al.	D13/162
D469,107 S	1/2003	Miller et al.	
D482,335 S	11/2003	Chang	
D525,632 S	7/2006	Jost et al.	
D590,778 S	4/2009	Drews et al.	
D592,154 S	5/2009	Drews et al.	
D592,155 S *	5/2009	Drews et al.	D13/162
D592,156 S *	5/2009	Drews et al.	D13/162
2006/0123680 A1	6/2006	Hering et al.	

* cited by examiner

Primary Examiner — Derrick Holland

(74) *Attorney, Agent, or Firm* — St. Onge Steward Johnston & Reens LLC

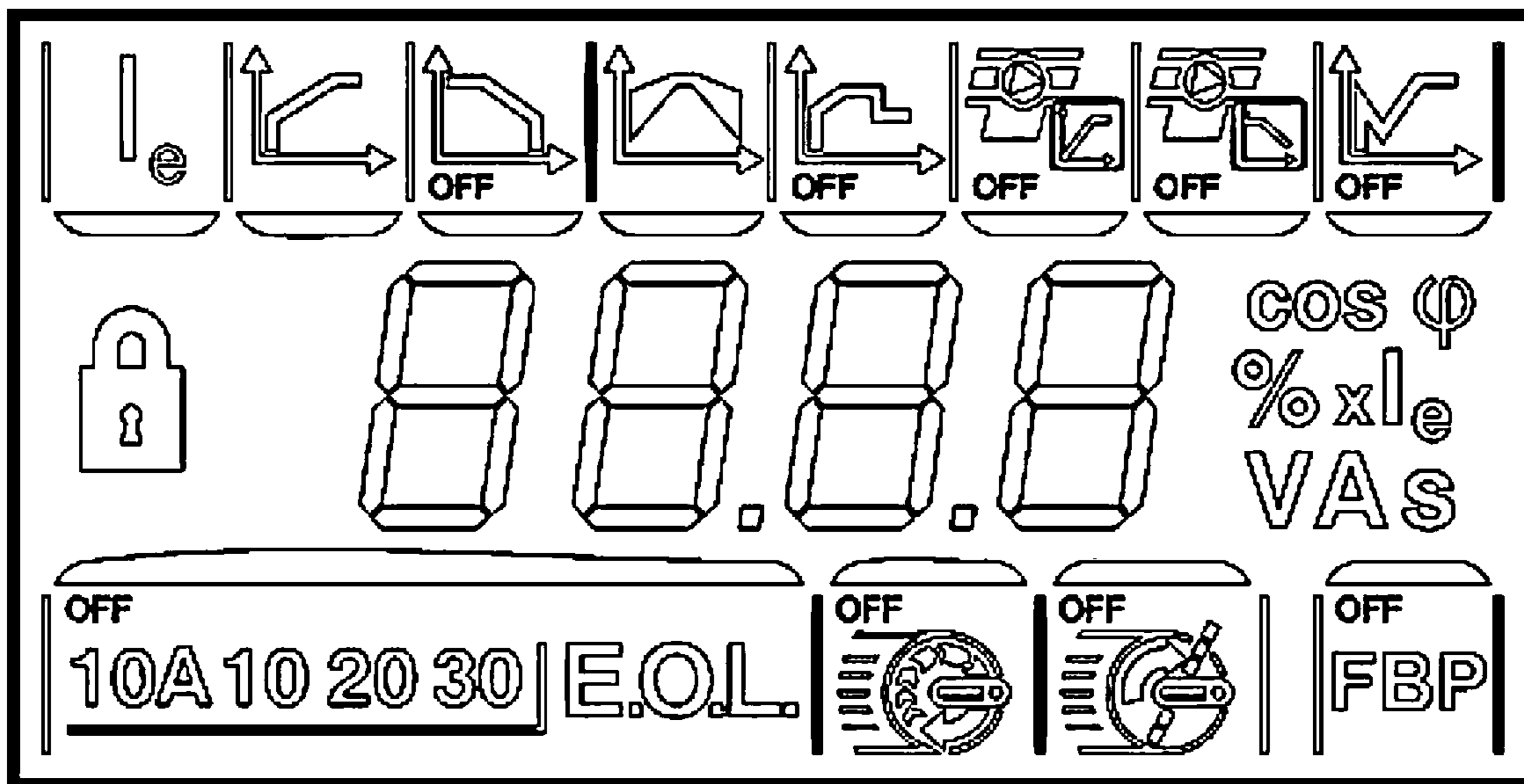
(57) **CLAIM**

The ornamental design for a motor starter display, as shown and described.

DESCRIPTION

FIG. 1 is a front view of a motor starter display in accordance with the new design, showing elements in solid type font; and, FIG. 2 is a front view of the display of FIG. 1, showing the elements in transparent type font.

1 Claim, 2 Drawing Sheets



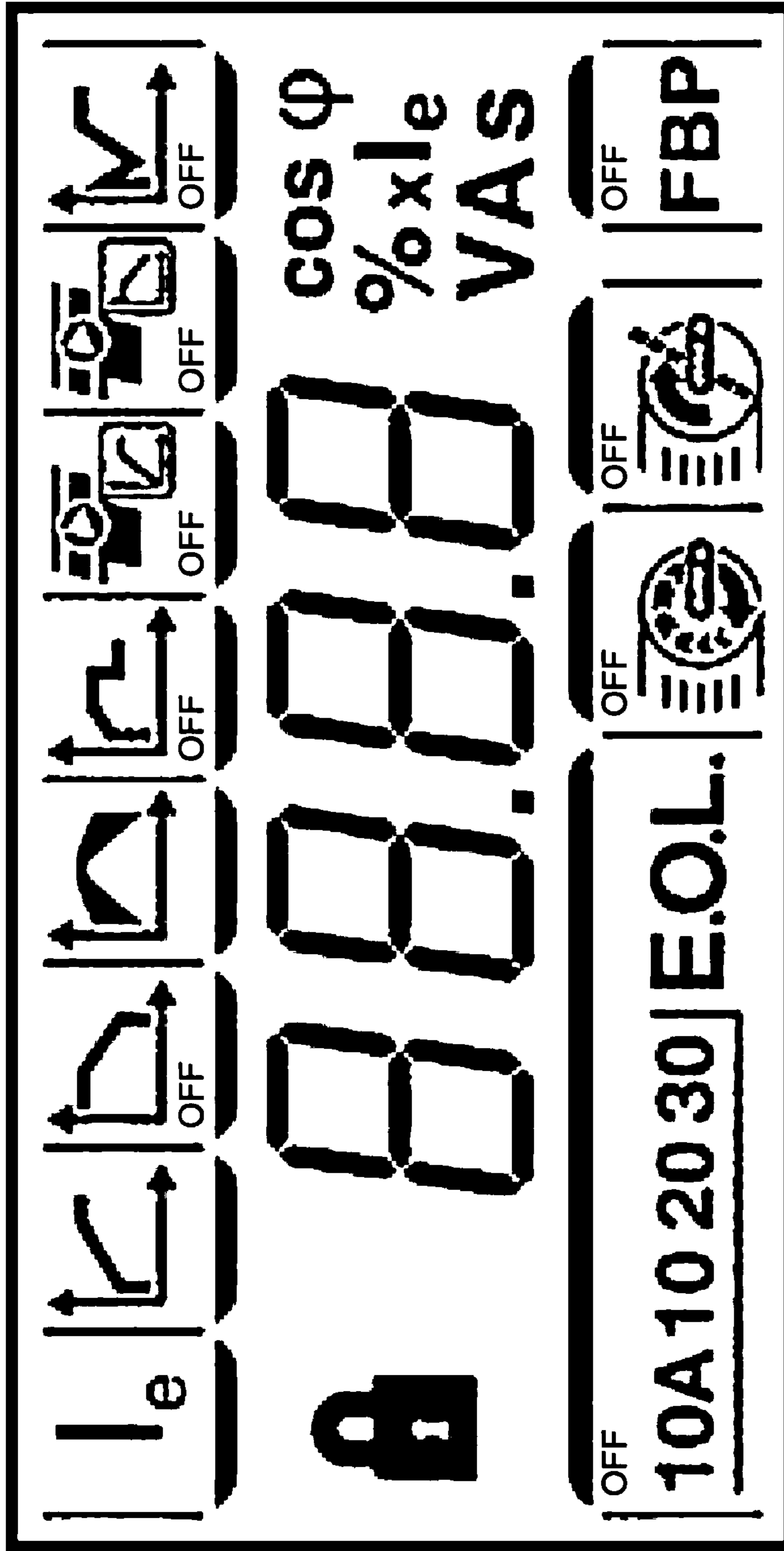


Fig. 1

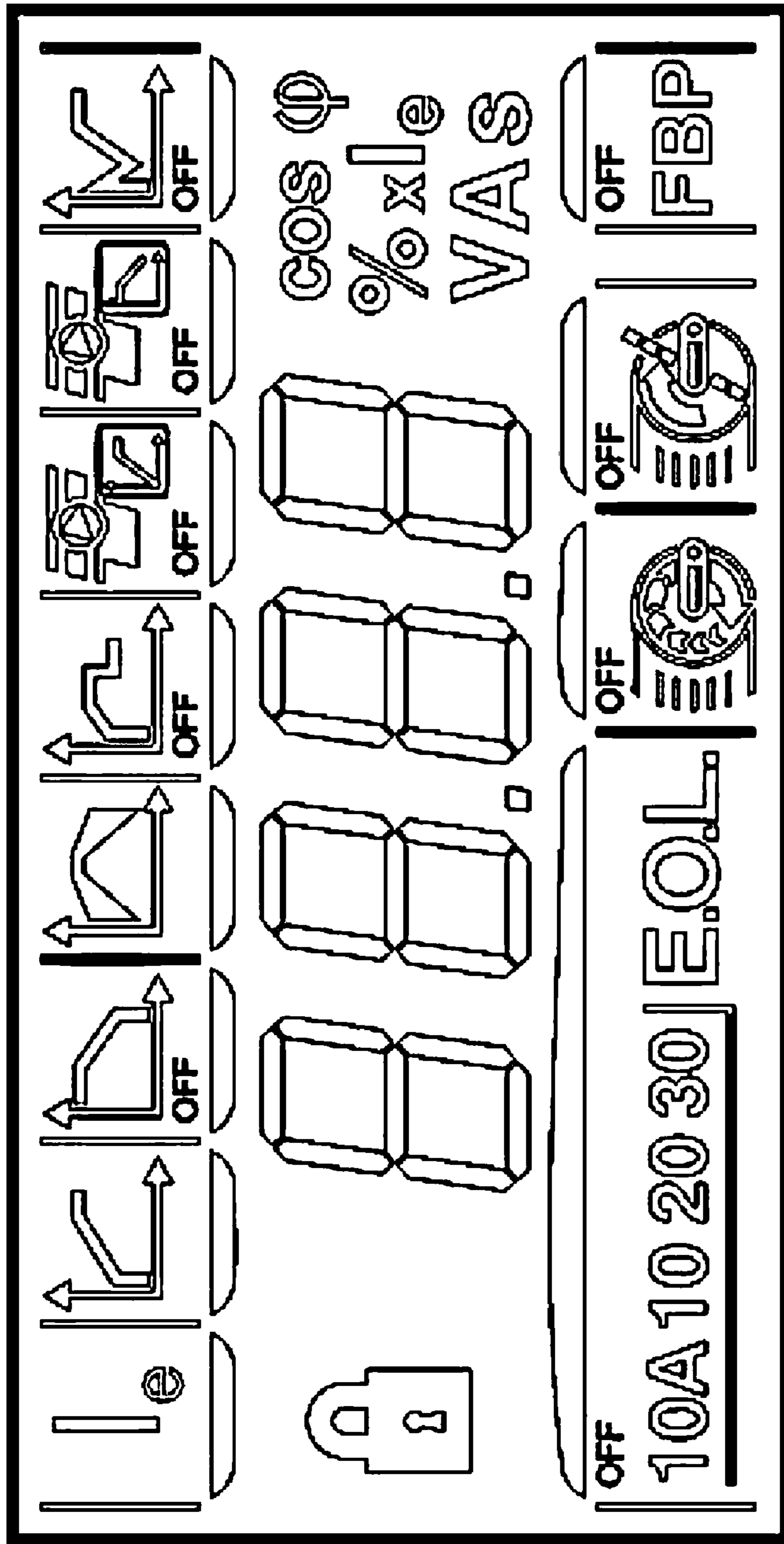


Fig. 2