



US00D674746S

(12) **United States Design Patent**
Zhang et al.

(10) **Patent No.:** **US D674,746 S**
(45) **Date of Patent:** **** Jan. 22, 2013**

(54) **ROLLABLE SOLAR CHARGER**

DESCRIPTION

(75) Inventors: **Bin Zhang**, Issaquah, WA (US); **Yi Ping Chan**, Seattle, WA (US); **Enrique Lasserre**, North Bay Village, FL (US)

(73) Assignee: **Solar Tech USA, Inc.**, Bellevue, WA (US)

(**) Term: **14 Years**

(21) Appl. No.: **29/366,314**

(22) Filed: **Jul. 22, 2010**

(51) **LOC (9) Cl.** **13-02**

(52) **U.S. Cl.** **D13/102**

(58) **Field of Classification Search** D13/102,
D13/101, 103, 107, 108, 110, 184, 199; D3/294,
D3/295, 302; 136/206, 243, 244, 245, 251,
136/252; 320/101, 102, 114, 115, 120; 323/906
See application file for complete search history.

(56) **References Cited**

U.S. PATENT DOCUMENTS

2,783,878	A *	3/1957	Traver	225/44
D264,520	S *	5/1982	Garrett	D3/295
D399,540	S *	10/1998	Wolfenstein	D21/392
D467,225	S *	12/2002	Sudo	D13/102
D606,934	S *	12/2009	Taggart et al.	D13/102

* cited by examiner

Primary Examiner — Derrick Holland

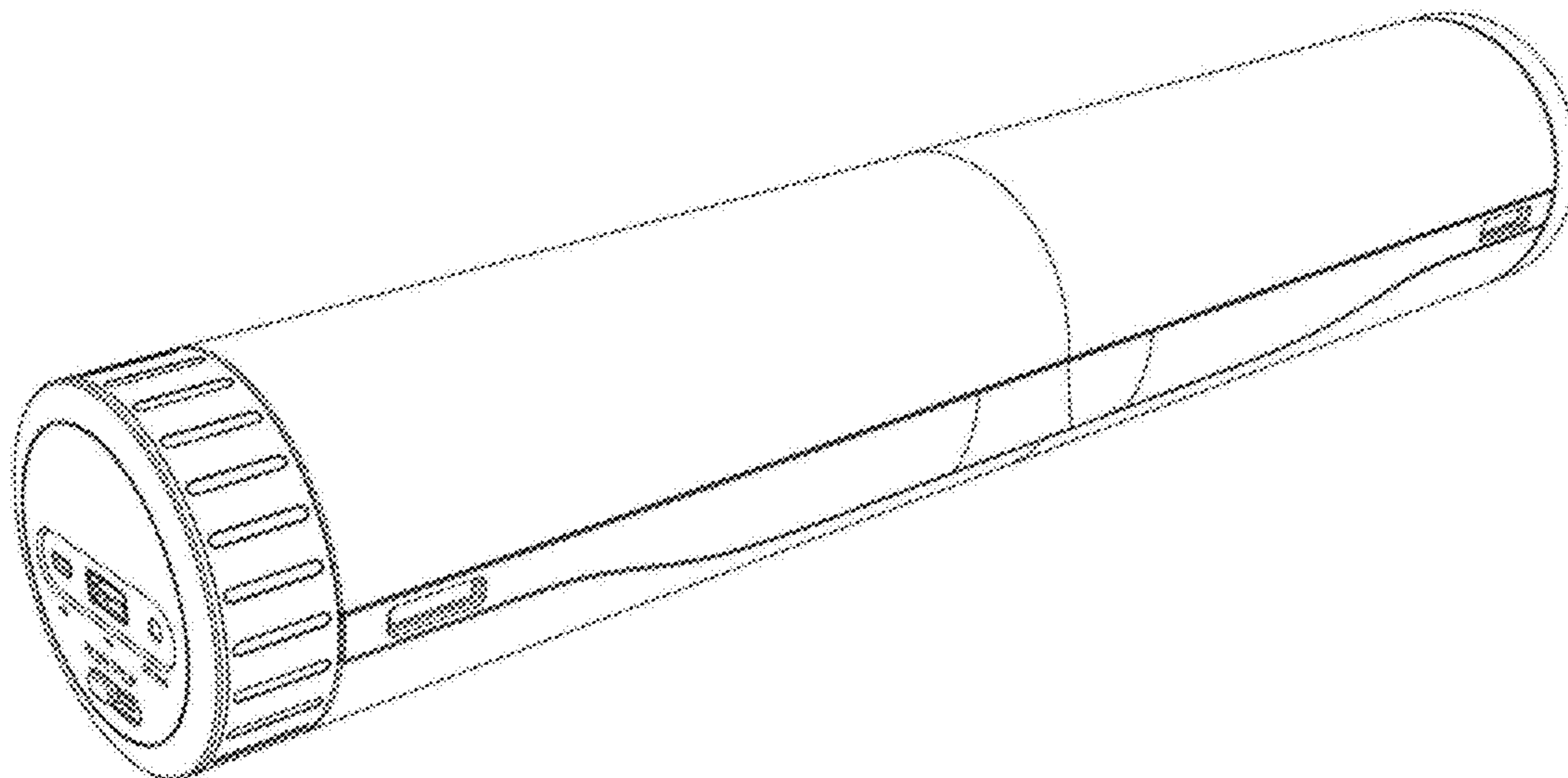
(74) *Attorney, Agent, or Firm* — Lowe Graham Jones PLLC

(57) **CLAIM**

We claim the ornamental design for the rollable solar charger, as shown and described.

FIG. 1 is a left perspective view of the rollable solar charger, showing our new ornamental design in a retracted position; FIG. 2 is a right perspective view of the rollable solar charger, showing our new ornamental design in a retracted position; FIG. 3 is a rear view of the rollable solar charger, showing our new ornamental design in a retracted position; FIG. 4 is a bottom view of the rollable solar charger, showing our new ornamental design in a retracted position; FIG. 5 is a front view of the rollable solar charger, showing our new ornamental design in a retracted position; FIG. 6 is a left side view of the rollable solar charger, showing our new ornamental design in a retracted position; FIG. 7 is a right side view of the rollable solar charger, showing our new ornamental design in a retracted position; FIG. 8 is a left side view of the rollable solar charger, showing our new ornamental design in a partially extended position; FIG. 9 is a right side view of the rollable solar charger, showing our new ornamental design in a partially extended position; FIG. 10 is a left perspective view of the rollable solar charger, showing our new ornamental design in a partially extended position; FIG. 11 is a right perspective view of the rollable solar charger, showing our new ornamental design in a partially extended position; FIG. 12 is a front view of the rollable solar charger, showing our new ornamental design in a partially extended position; and, FIG. 13 is a bottom view of the rollable solar charger, showing our new ornamental design in a partially extended position. The ornamental design claimed includes both a housing and a roll-up solar cell array which extends from and retracts into the housing.

1 Claim, 8 Drawing Sheets



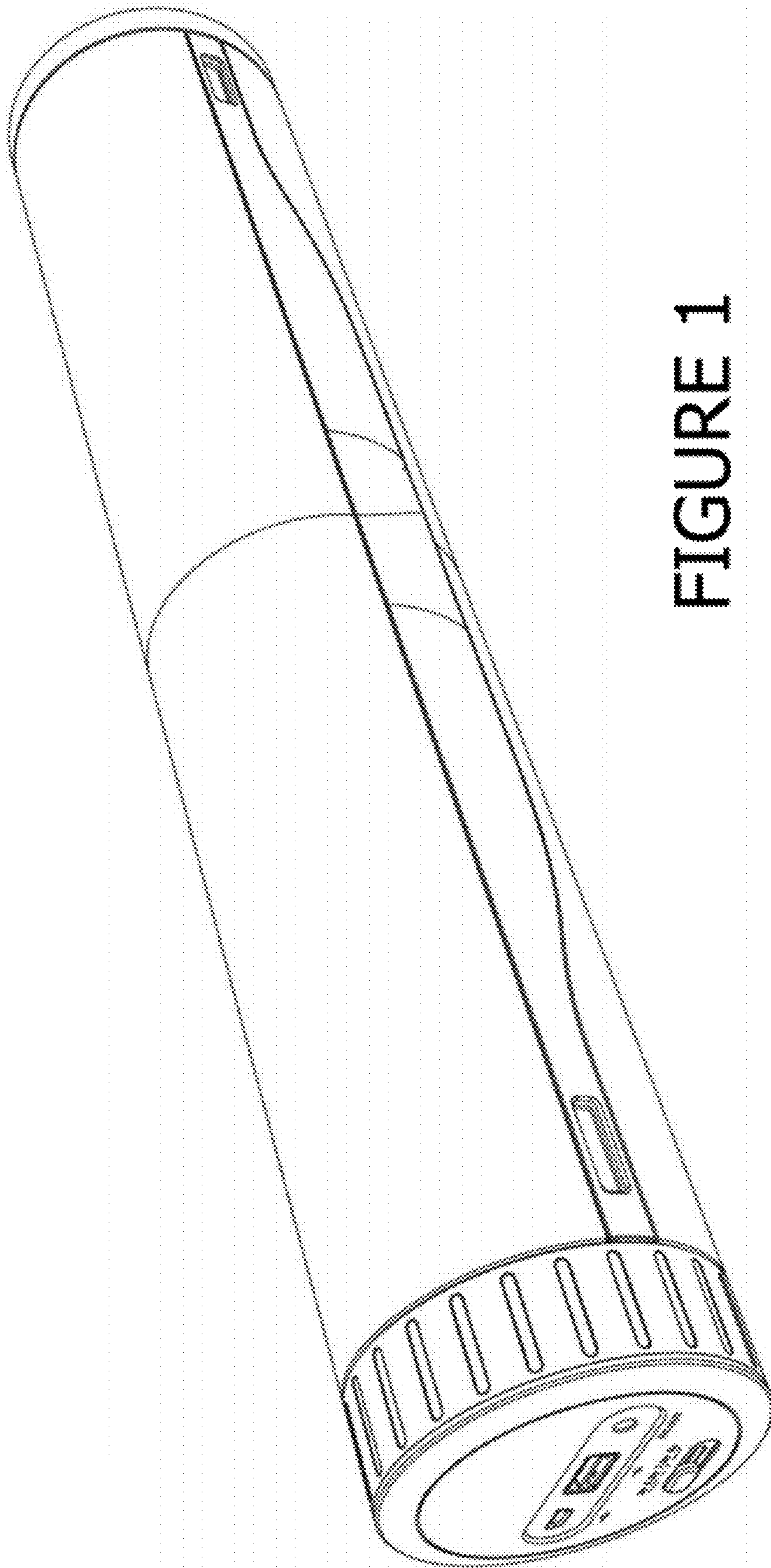


FIGURE 1

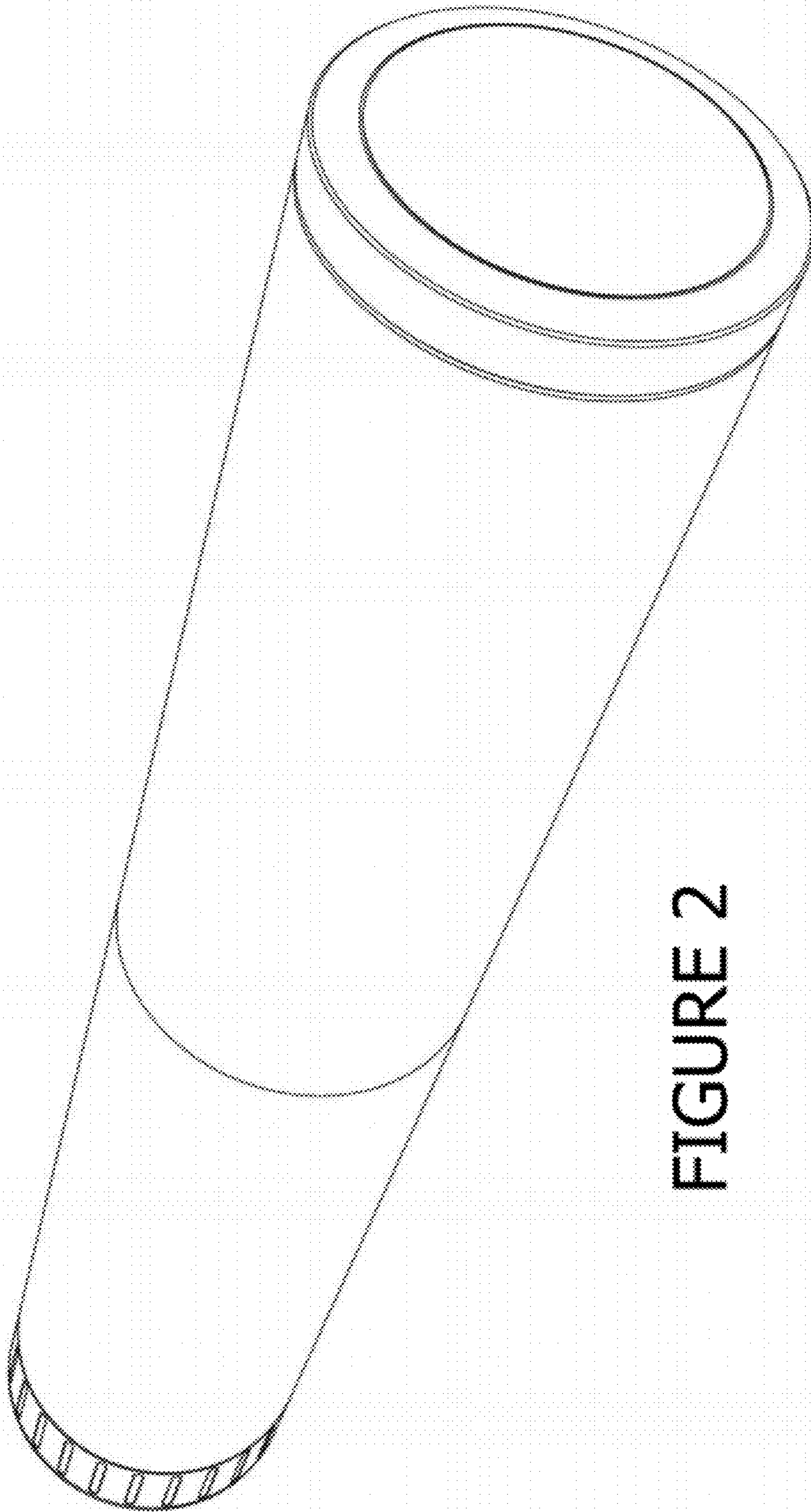


FIGURE 2

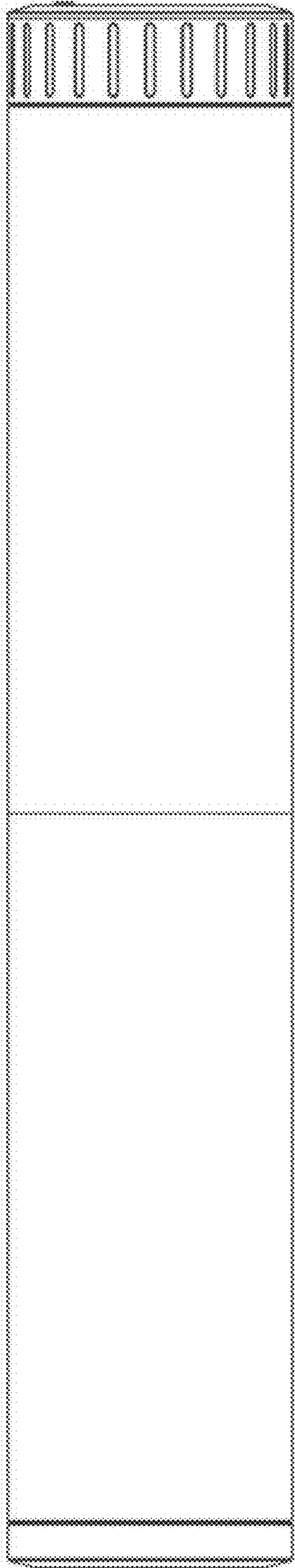


FIGURE 3

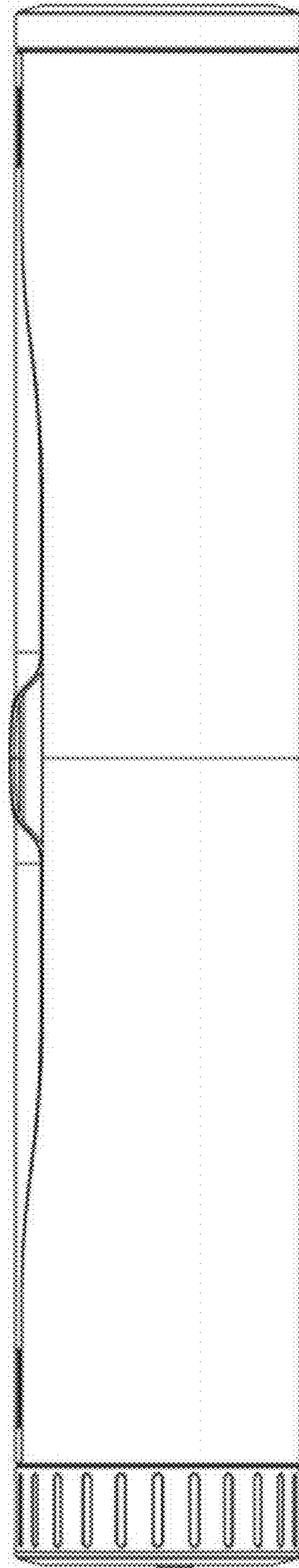


FIGURE 4

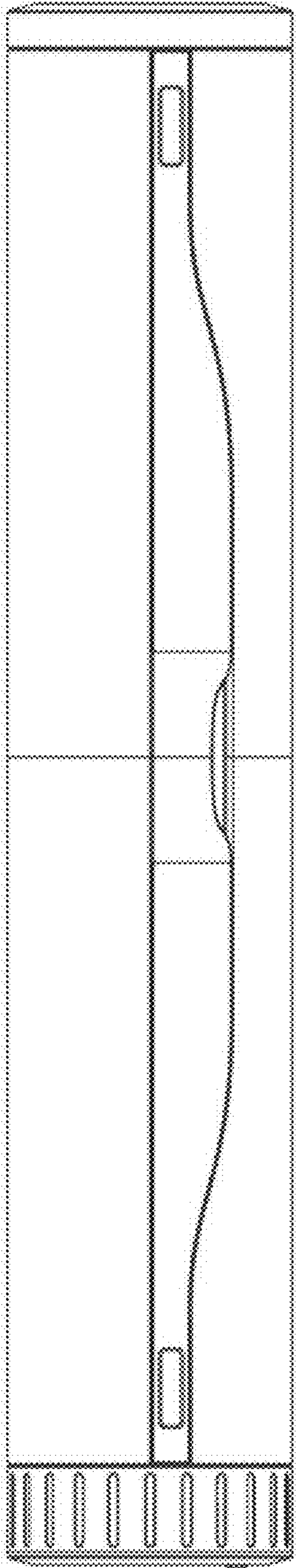


FIGURE 5

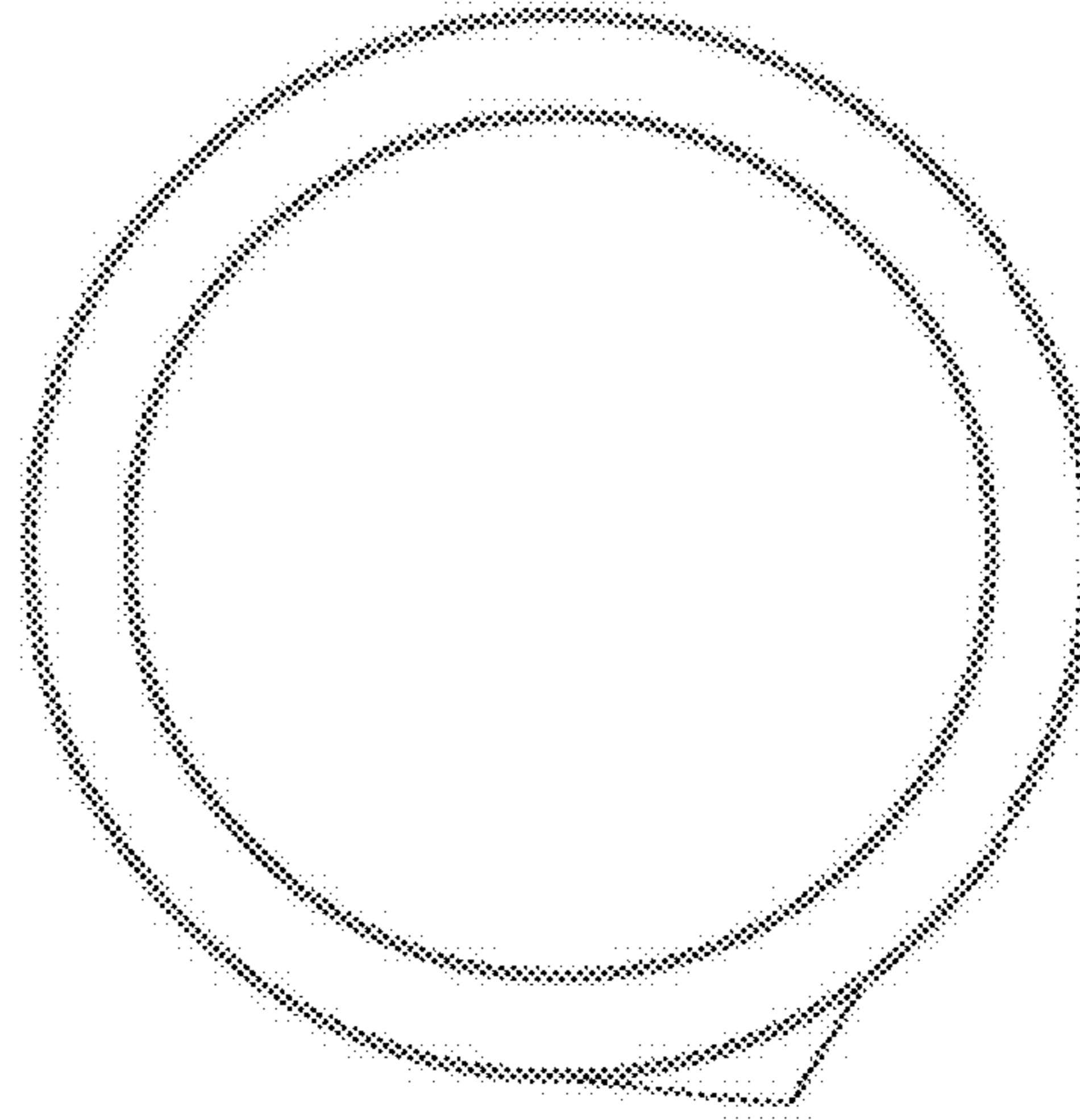


FIGURE 7

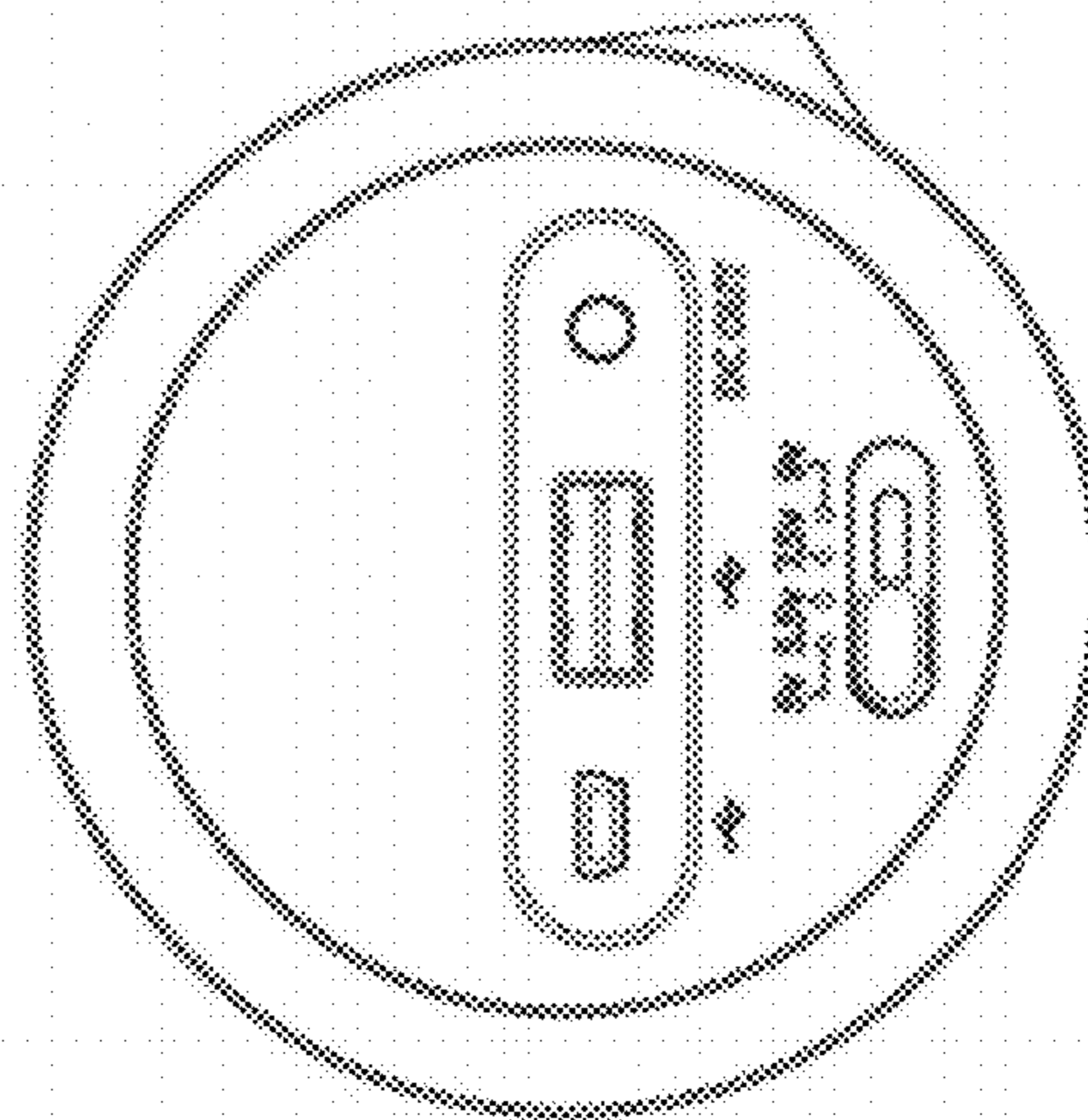


FIGURE 6

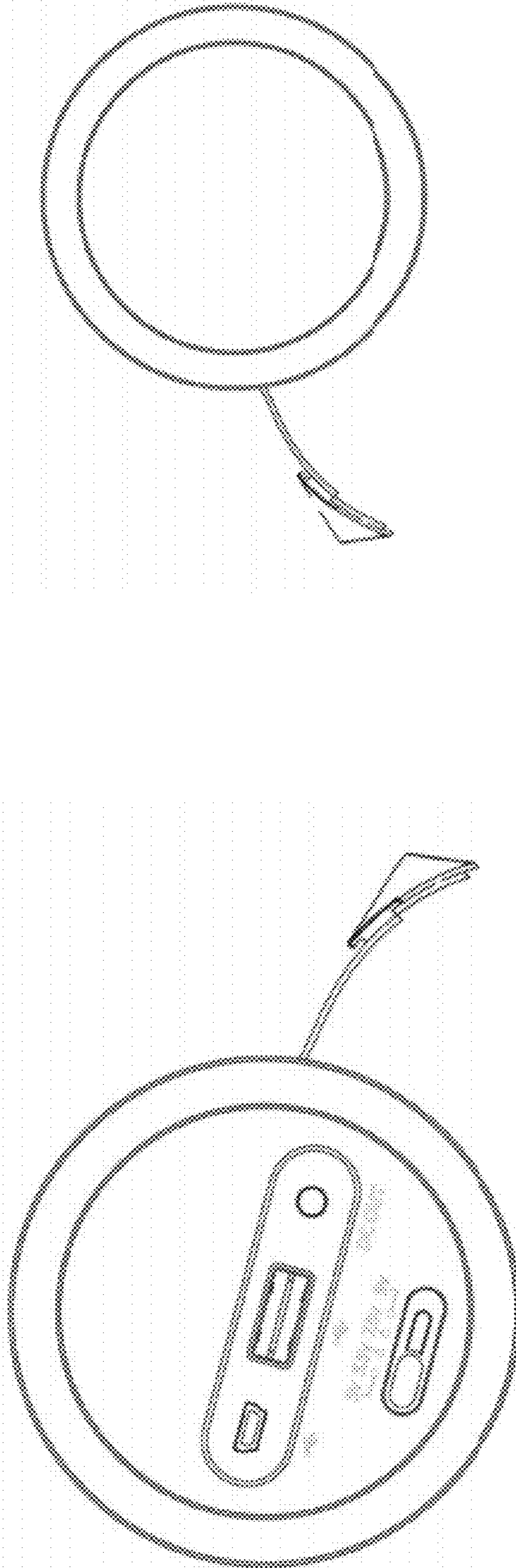
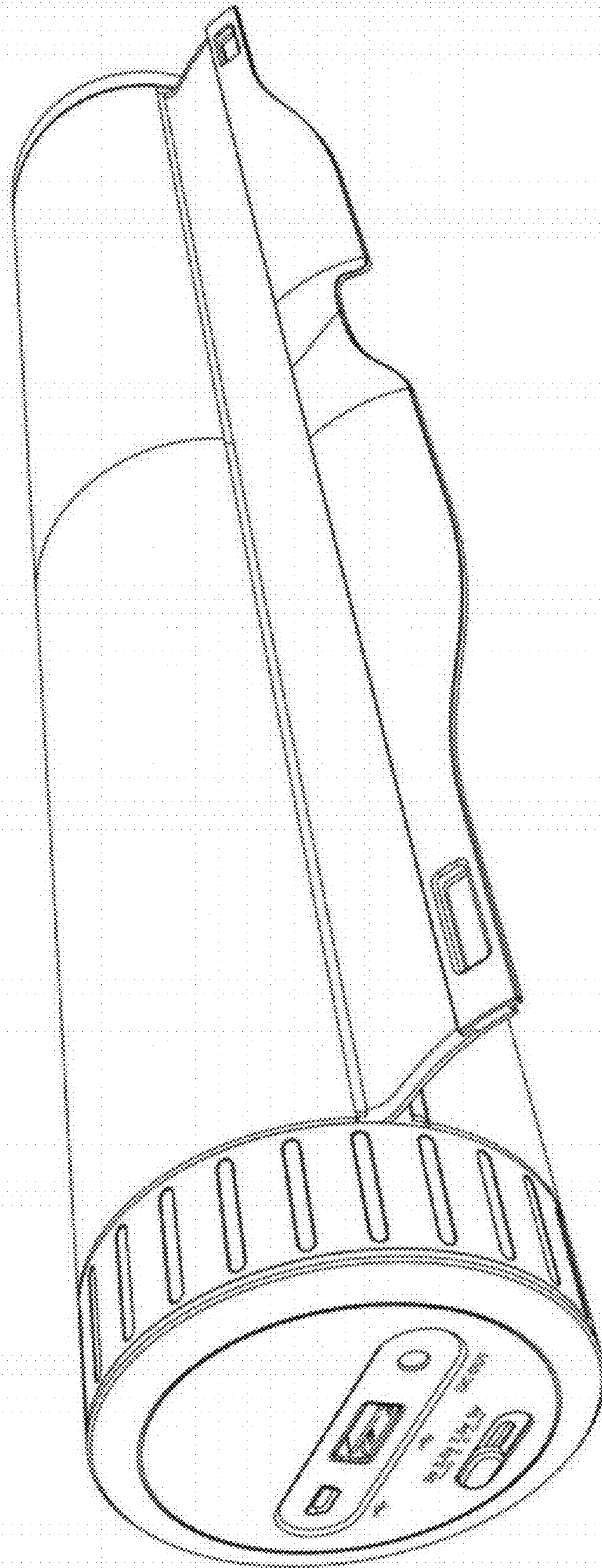


FIGURE 9

FIGURE 8

FIGURE 10



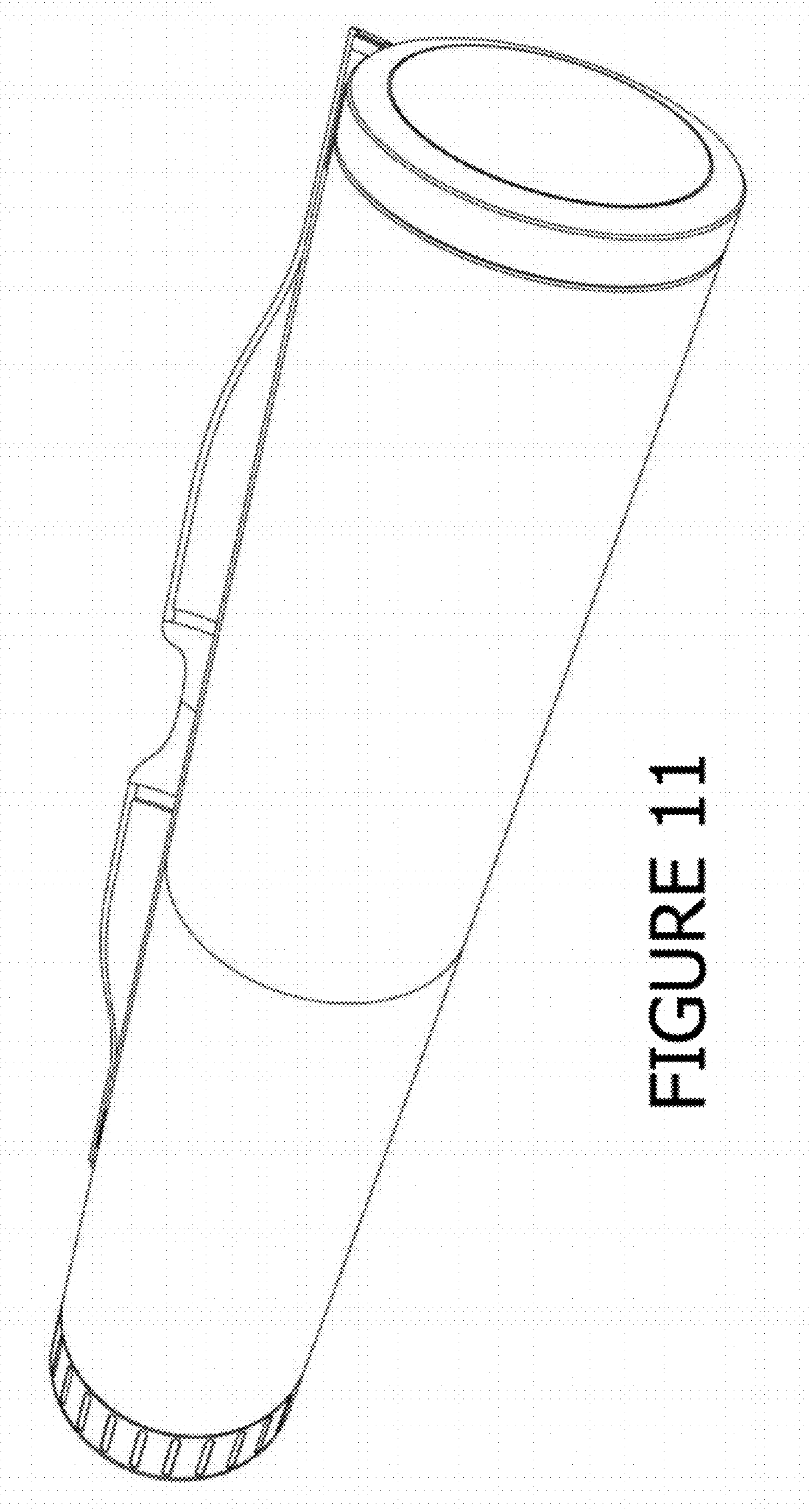


FIGURE 11

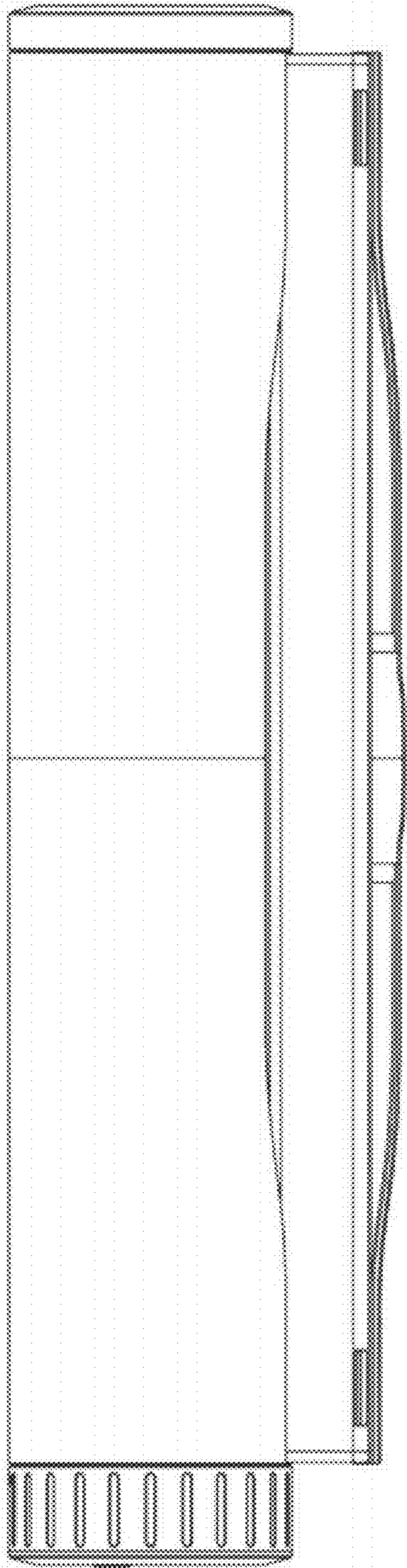


FIGURE 12

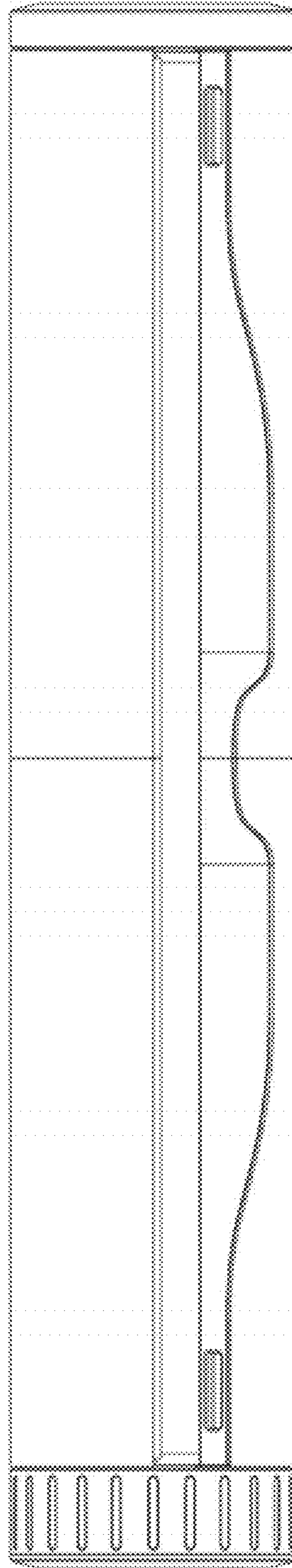


FIGURE 13