



US00D674742S

(12) **United States Design Patent**
Krier et al.

(10) **Patent No.:** **US D674,742 S**
(45) **Date of Patent:** **** Jan. 22, 2013**

(54) **TIRE**

(75) Inventors: **Jean-Julien Edouard Ghislain Krier**,
Bastogne (BE); **Bernard Robert**
Nicolas, Arlon (BE); **Jacques Collette**,
Bastogne (BE)

(73) Assignee: **The Goodyear Tire & Rubber**
Company, Akron, OH (US)

(**) Term: **14 Years**

(21) Appl. No.: **29/404,477**

(22) Filed: **Oct. 21, 2011**

(51) **LOC (9) Cl.** **12-16**

(52) **U.S. Cl.** **D12/598**

(58) **Field of Classification Search** D12/568-603;
152/209.1-209.28

See application file for complete search history.

(56) **References Cited**

U.S. PATENT DOCUMENTS

D317,738 S *	6/1991	Fukumoto	D12/602
D388,370 S	12/1997	Young et al.	D12/146
D390,818 S	2/1998	de Barsy et al.	D12/147
D397,647 S	9/1998	Young	D12/146
D448,707 S	10/2001	Maziarka et al.	D12/147
D451,860 S	12/2001	Schuster et al.	D12/147
D481,670 S	11/2003	Harden, Jr. et al.	D12/595
D481,992 S	11/2003	Harden, Jr. et al.	D12/595
D541,737 S	5/2007	Cazin-Bourguignon et al.	D12/600
D554,055 S	10/2007	Beauguitte et al.	D12/600
D583,312 S	12/2008	Murphy et al.	D12/602
D601,085 S	9/2009	Janesh et al.	D12/600
D601,086 S	9/2009	Maus et al.	D12/602
D604,226 S	11/2009	Scheuren	D12/553
D605,107 S	12/2009	Ludwig et al.	D12/588
D605,108 S	12/2009	Brown et al.	D12/588

D609,169 S	2/2010	Feider	D12/588
D620,430 S	7/2010	Gillard et al.	D12/600
D628,955 S	12/2010	Toumni et al.	D12/588
D631,002 S	1/2011	Cazin-Bourguignon et al.	D12/602
D637,142 S	5/2011	Nicolas et al.	D12/579
D640,627 S *	6/2011	Durand	D12/601
D656,890 S *	4/2012	Rittweger	D12/583

* cited by examiner

Primary Examiner — George D Kirschbaum

(74) *Attorney, Agent, or Firm* — Richard B. O'Planick

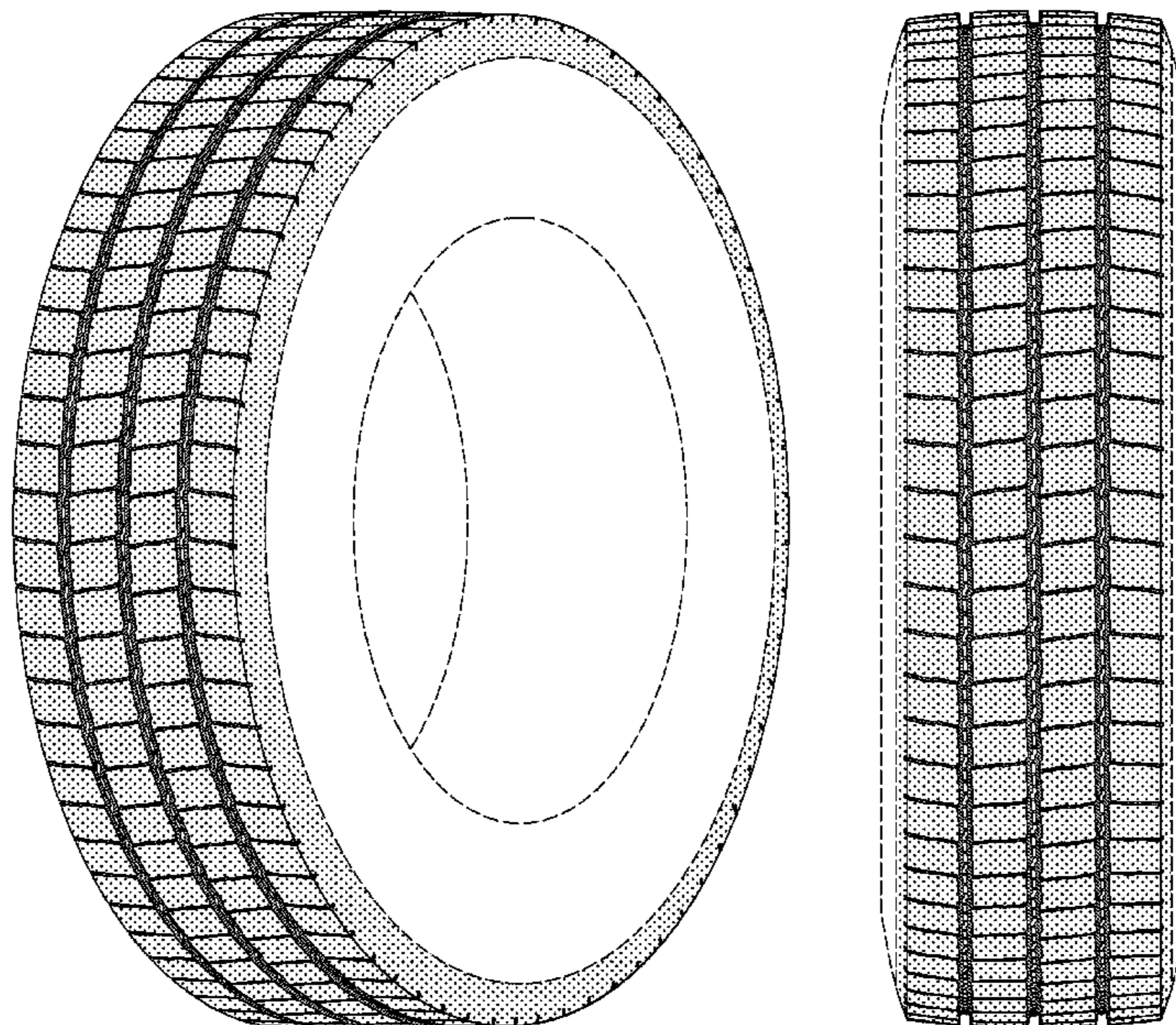
(57) **CLAIM**

The ornamental design for a tire, as shown and described.

DESCRIPTION

FIG. 1 is a perspective view of a tire showing our new design, it being understood that the pattern repeats uniformly throughout the circumference of the tread;
 FIG. 2 is a front elevational view thereof;
 FIG. 3 is a right side elevational view thereof; the opposite side elevational view being identical thereto;
 FIG. 4 is an enlarged fragmentary front elevational view thereof;
 FIG. 5 is a perspective view of a second embodiment of a tire showing our new design, it being understood that the pattern repeats uniformly throughout the circumference of the tread and that the opposite side view is identical thereto; and,
 FIG. 6 is a front elevational view of a second embodiment, it being understood that an enlarged fragmentary view thereof would be substantially identical to that shown in FIG. 4, with the exception of the inclusion of the sidewall in solid lines.
 In the drawings, the broken lines showing of the sidewall, inner bead and the peripheral boundary between the tire tread and the sidewall in FIGS. 1 through 4 depict environmental subject matter and form no part of the claimed design.

1 Claim, 6 Drawing Sheets



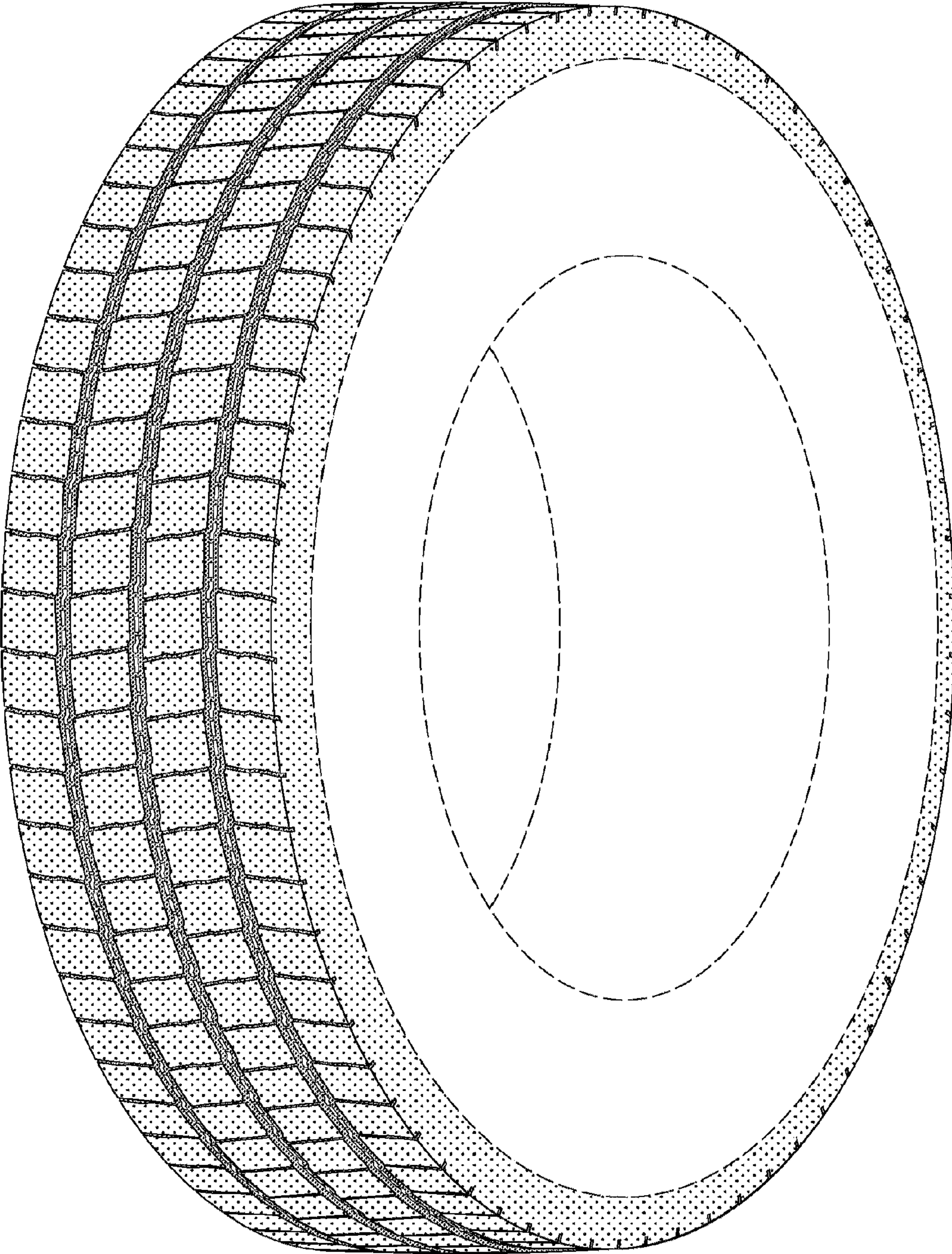


FIG. 1

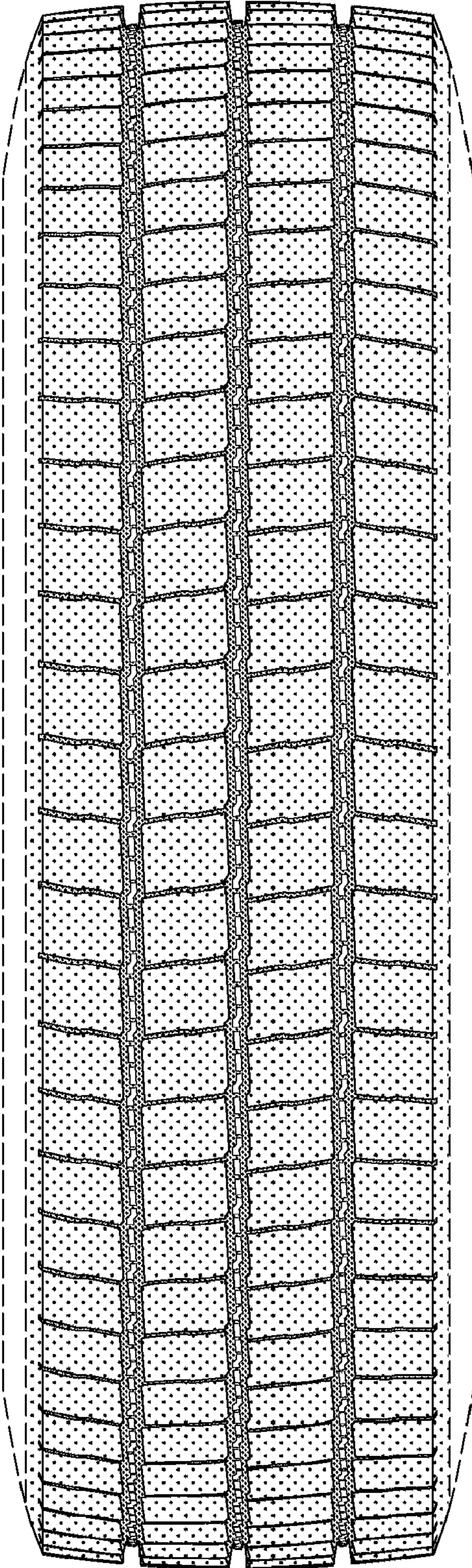


FIG. 2

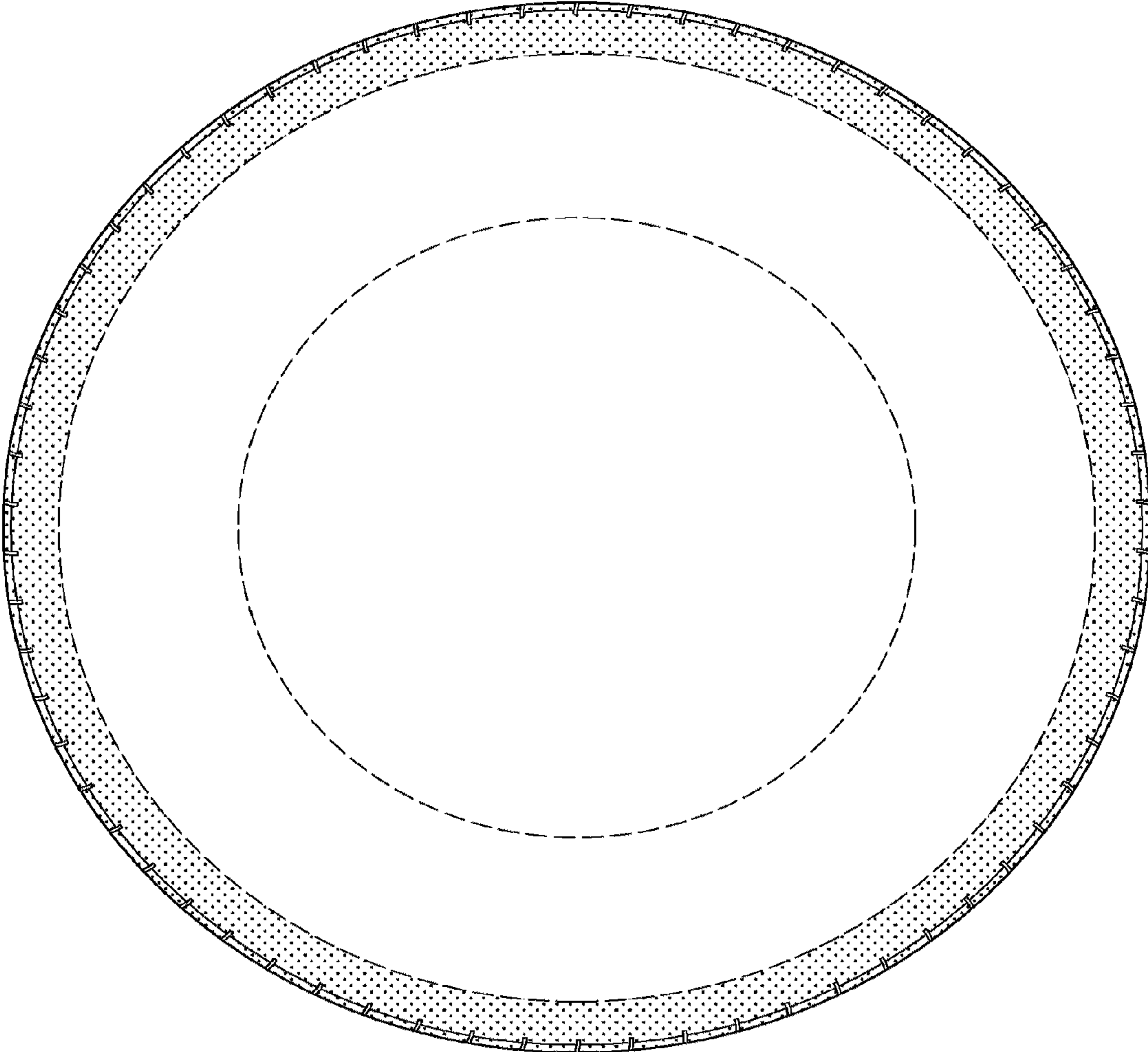


FIG. 3

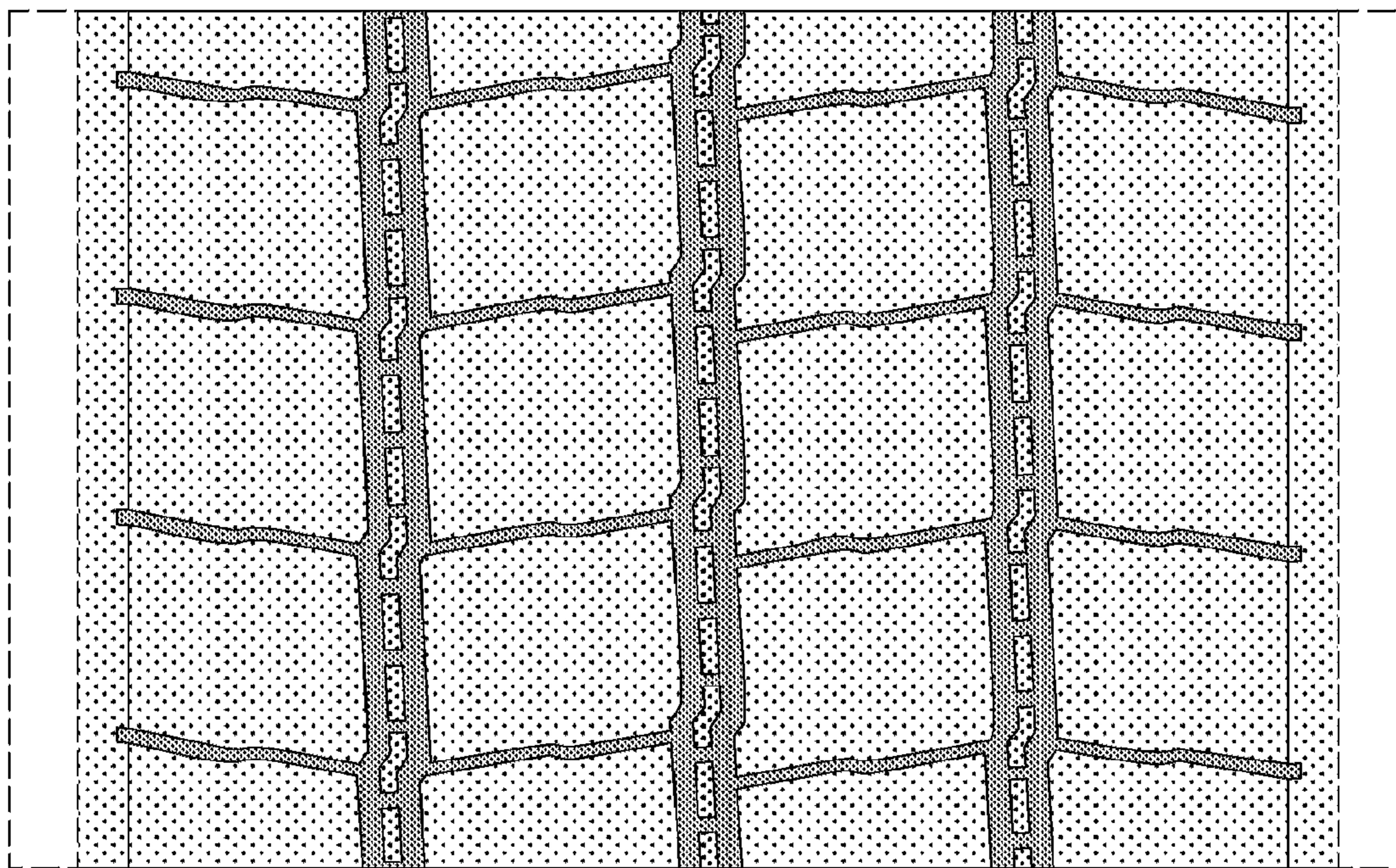


FIG. 4

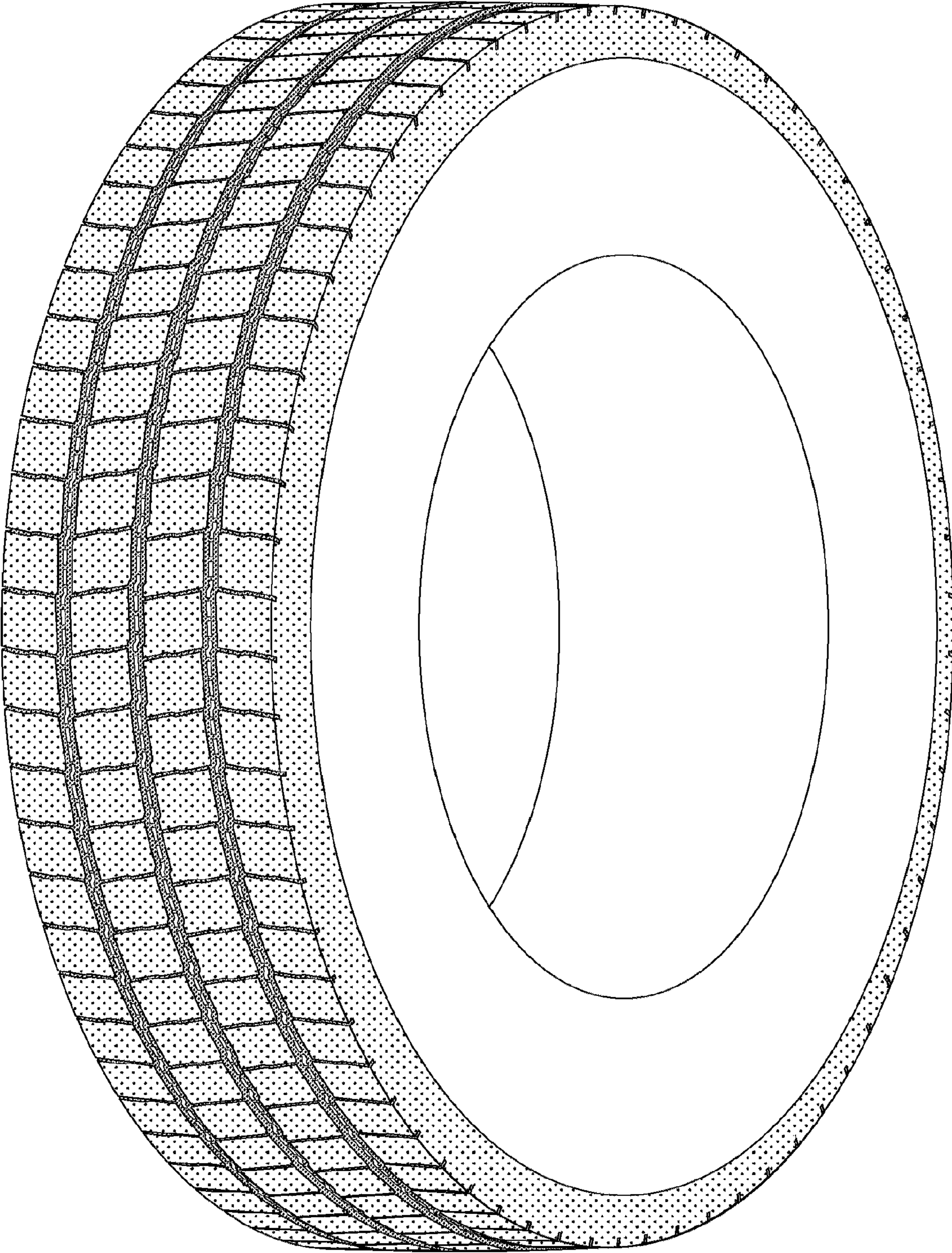


FIG. 5

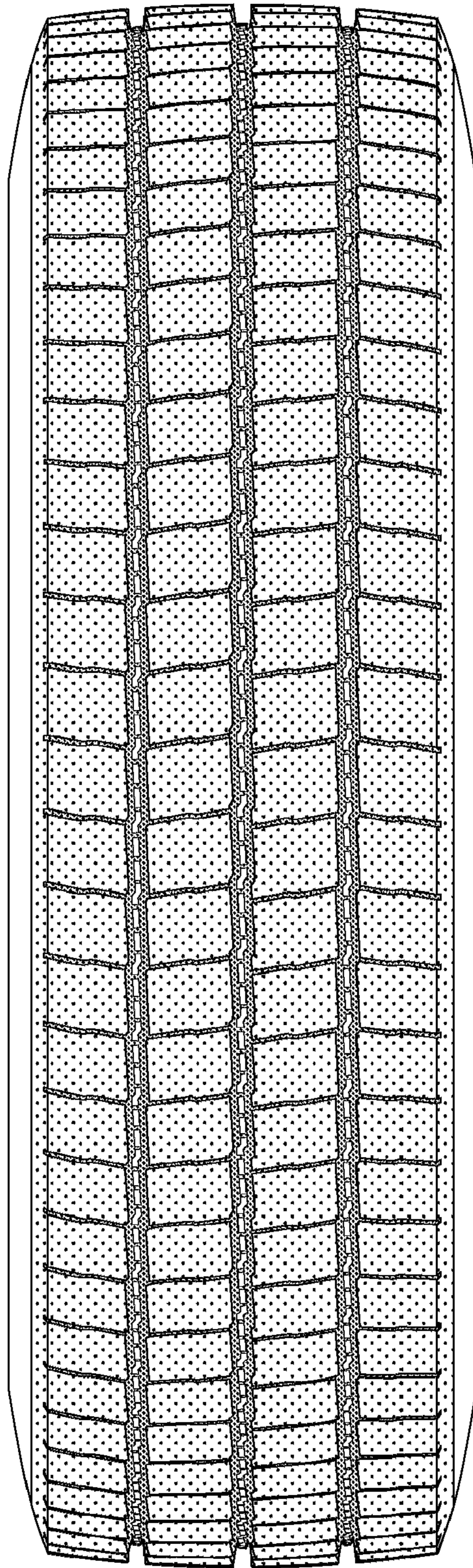


FIG. 6