



US00D674741S

(12) **United States Design Patent**
Mathonet et al.

(10) **Patent No.:** **US D674,741 S**
(45) **Date of Patent:** **** Jan. 22, 2013**

(54) **TIRE**

(75) Inventors: **Vincent Benoit Mathonet**, Habay la Neuve (BE); **Philippe Joseph Auguste Muller**, Champlon (BE); **Laurent Luigi Domenico Colantonio**, Bastogne (BE)

(73) Assignee: **The Goodyear Tire & Rubber Company**, Akron, OH (US)

(**) Term: **14 Years**

(21) Appl. No.: **29/401,616**

(22) Filed: **Sep. 13, 2011**

(51) **LOC (9) Cl.** **12-16**

(52) **U.S. Cl.** **D12/588**

(58) **Field of Classification Search** D12/505-532,
D12/596, 594; 152/209.1-209.28
See application file for complete search history.

(56) **References Cited**

U.S. PATENT DOCUMENTS

D316,239 S *	4/1991	Tsuda et al.	D12/588
D370,439 S	6/1996	Feider et al.	D12/141
D481,670 S	11/2003	Harden, Jr. et al.	D12/595
D481,992 S	11/2003	Harden, Jr. et al.	D12/595
D511,741 S	11/2005	Cazin-Bourguignon et al.	D12/601
D534,484 S	1/2007	Feider et al.	D12/584
D541,737 S	5/2007	Cazin-Bourguignon et al.	D12/600
D554,053 S	10/2007	Feider et al.	D12/588
D555,081 S	11/2007	Feider et al.	D12/588
D583,309 S	12/2008	Licht et al.	D12/588
D597,479 S	8/2009	Scharis	D12/586
D601,082 S	9/2009	Cazin-Bourguignon et al.	D12/583
D604,230 S	11/2009	Brown et al.	D12/588
D605,107 S	12/2009	Ludwig et al.	D12/588

D605,108 S	12/2009	Brown et al.	D12/588
D619,529 S	7/2010	Georges et al.	D12/590
D620,430 S	7/2010	Gillard et al.	D12/600
D631,001 S	1/2011	Hughes et al.	D12/601
D635,915 S *	4/2011	Hamada	D12/588
D647,035 S *	10/2011	Brown et al.	D12/588

* cited by examiner

Primary Examiner — George D Kirschbaum

(74) *Attorney, Agent, or Firm* — Richard B. O'Planick

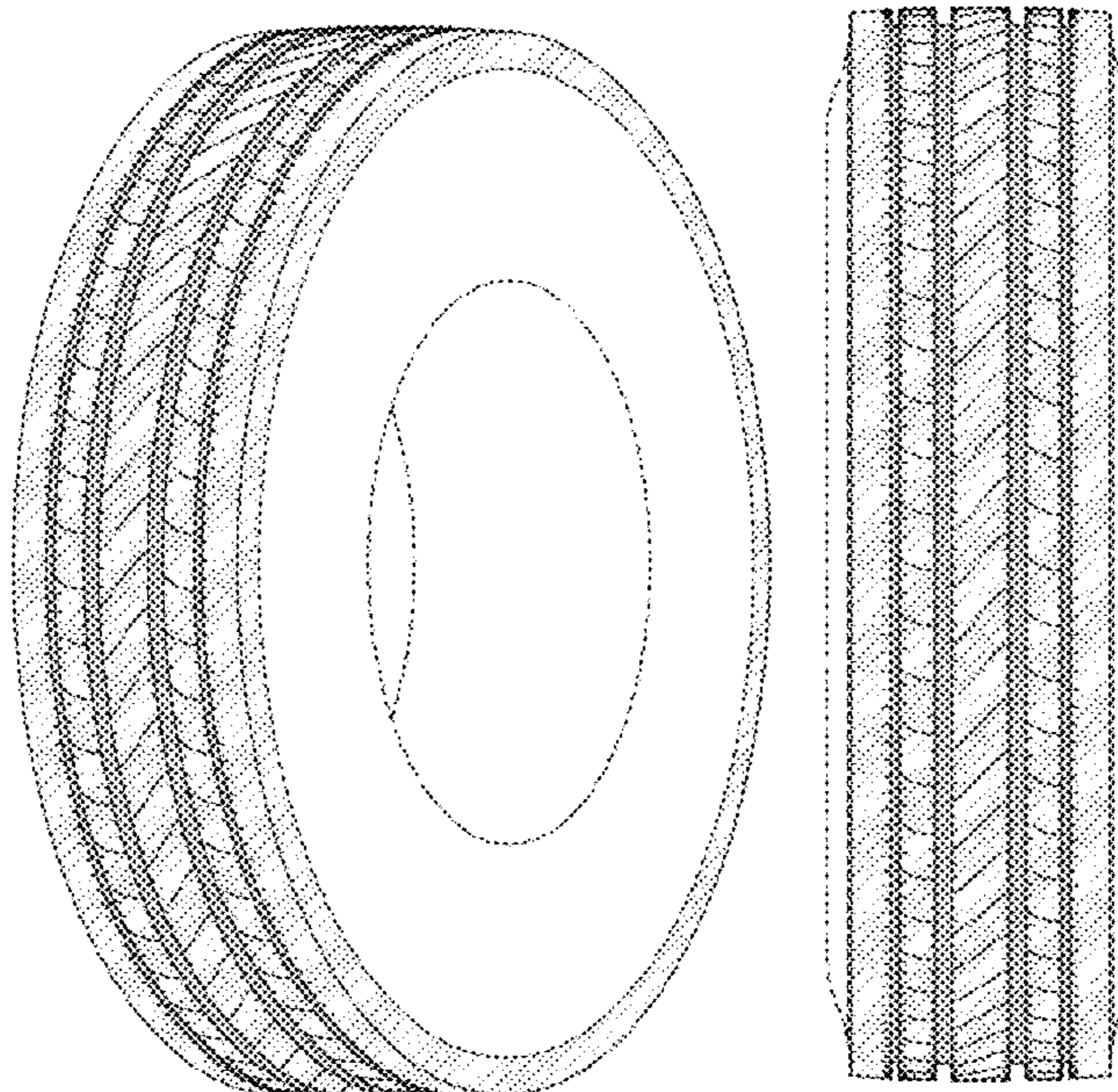
(57) **CLAIM**

The ornamental design for a tire, as shown and described.

DESCRIPTION

FIG. 1 is a perspective view of a tire showing our new design, it being understood that the pattern repeats uniformly throughout the circumference of the tread;
 FIG. 2 is a front elevational view thereof;
 FIG. 3 is a right side elevational view thereof; the opposite side elevational view being identical thereto;
 FIG. 4 is an enlarged fragmentary front elevational view thereof;
 FIG. 5 is a perspective view of a second embodiment of a tire showing our new design, it being understood that the pattern repeats uniformly throughout the circumference of the tread and that the opposite side view is identical thereto; and,
 FIG. 6 is a front elevational view of a second embodiment, it being understood that an enlarged fragmentary view thereof would be substantially identical to that shown in FIG. 4, with the exception of the inclusion of the sidewall in solid lines.
 In the drawings, the broken lines showing of the sidewall, inner bead and the peripheral boundary between the tire tread and the sidewall in FIGS. 1 through 4 depict environmental subject matter and form no part of the claimed design.

1 Claim, 6 Drawing Sheets



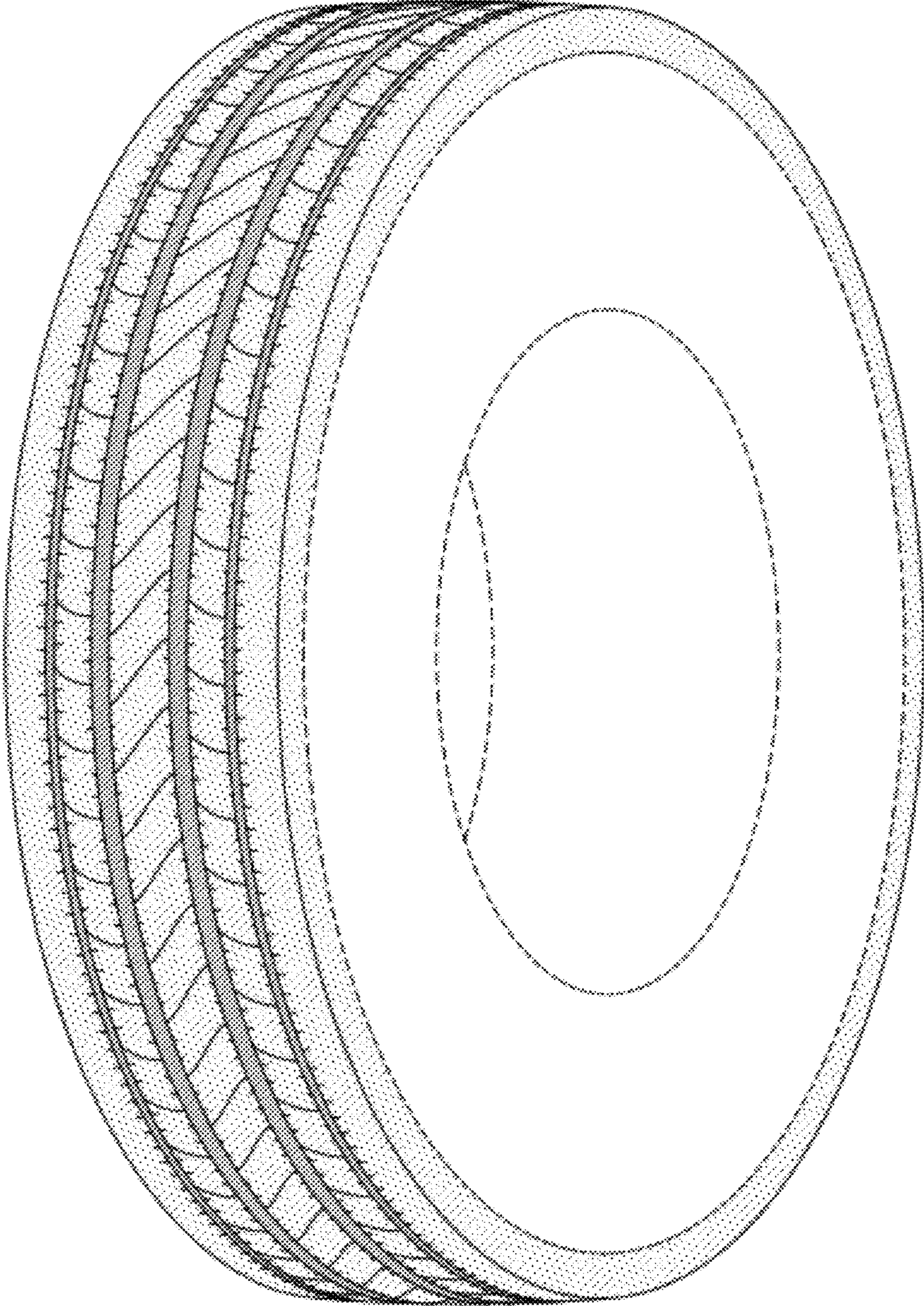


FIG-1

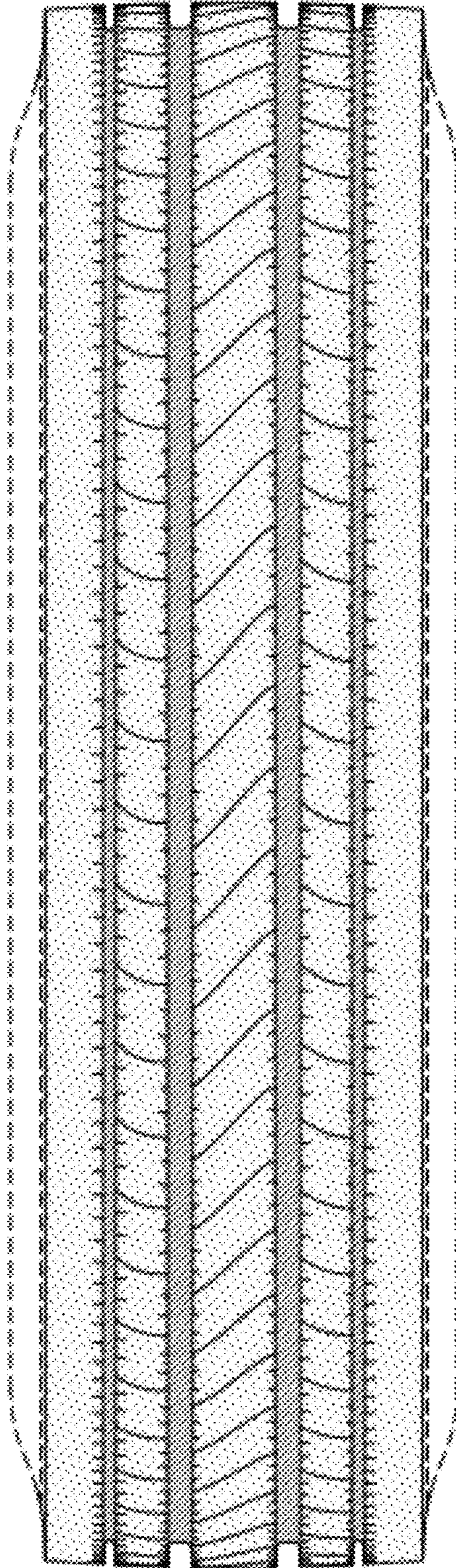


FIG-2

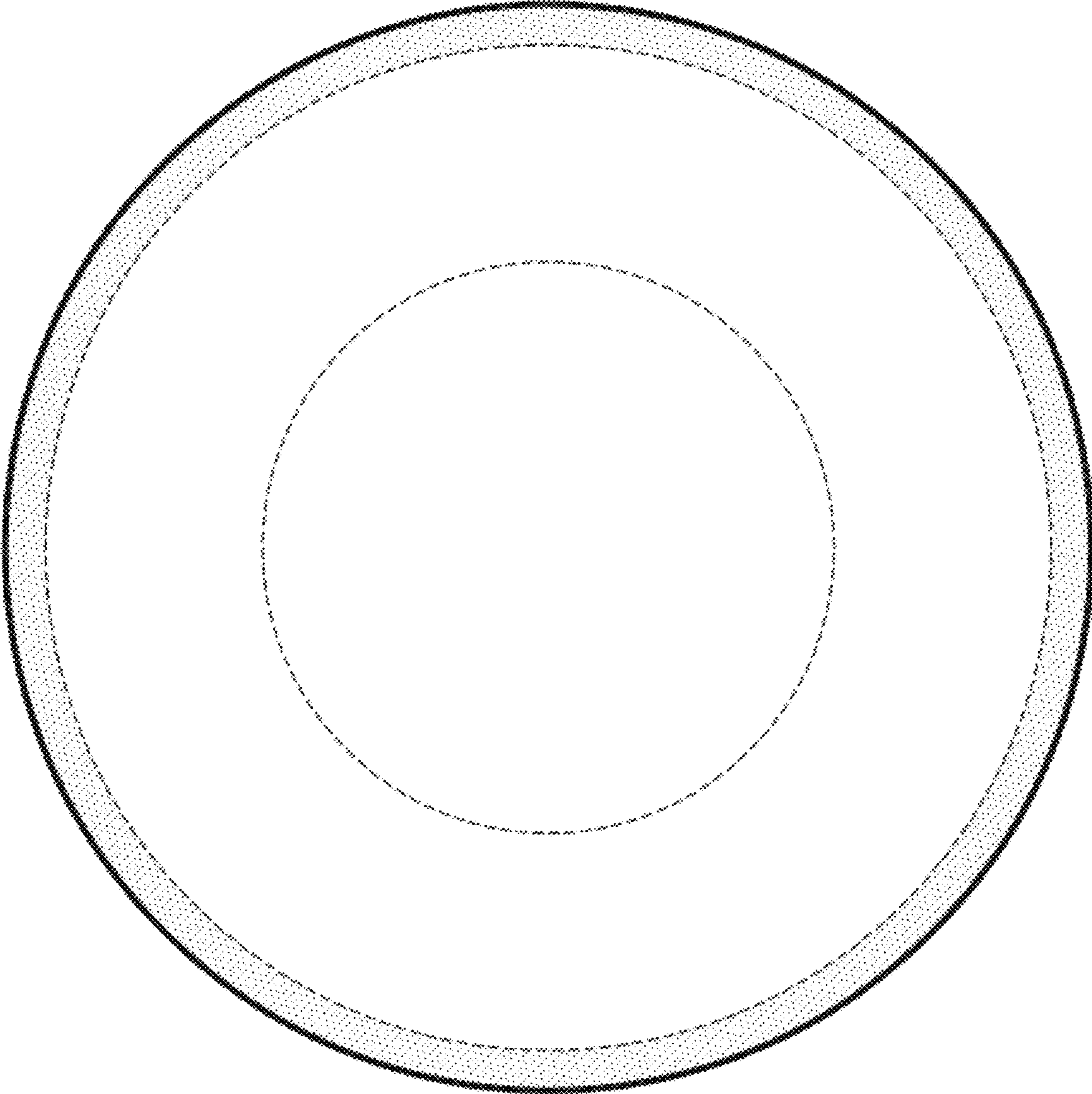


FIG-3

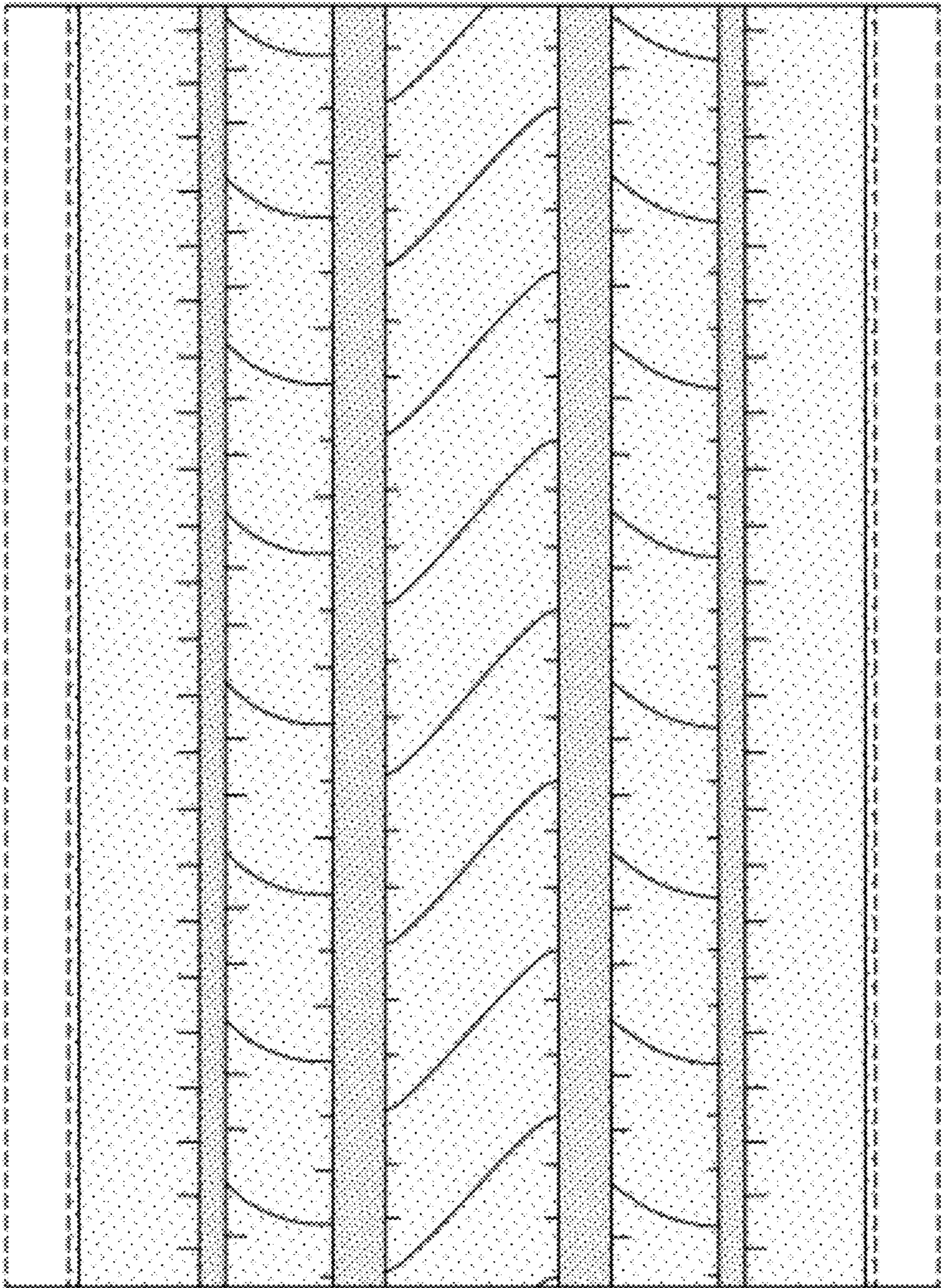


FIG-4

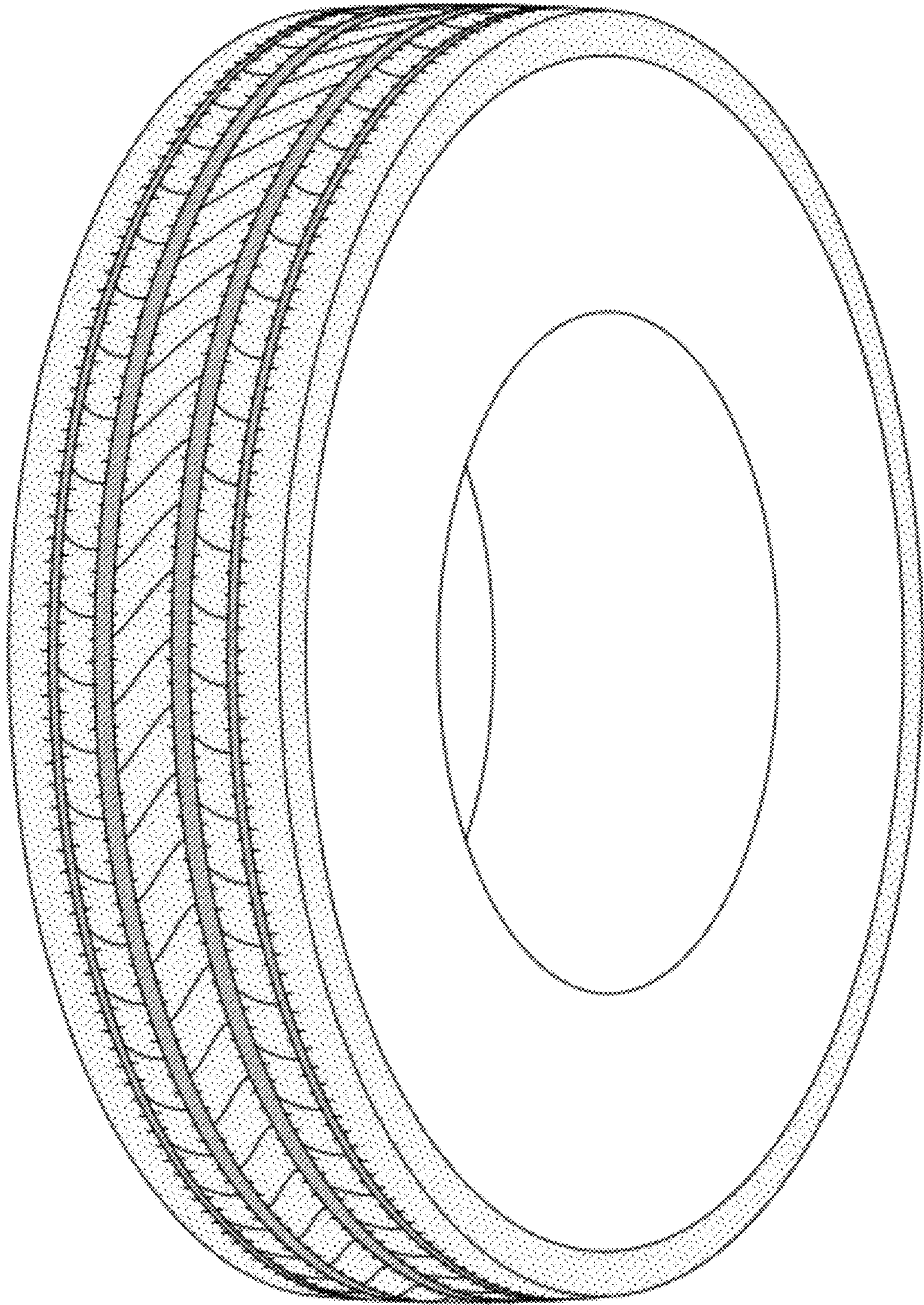


FIG-5

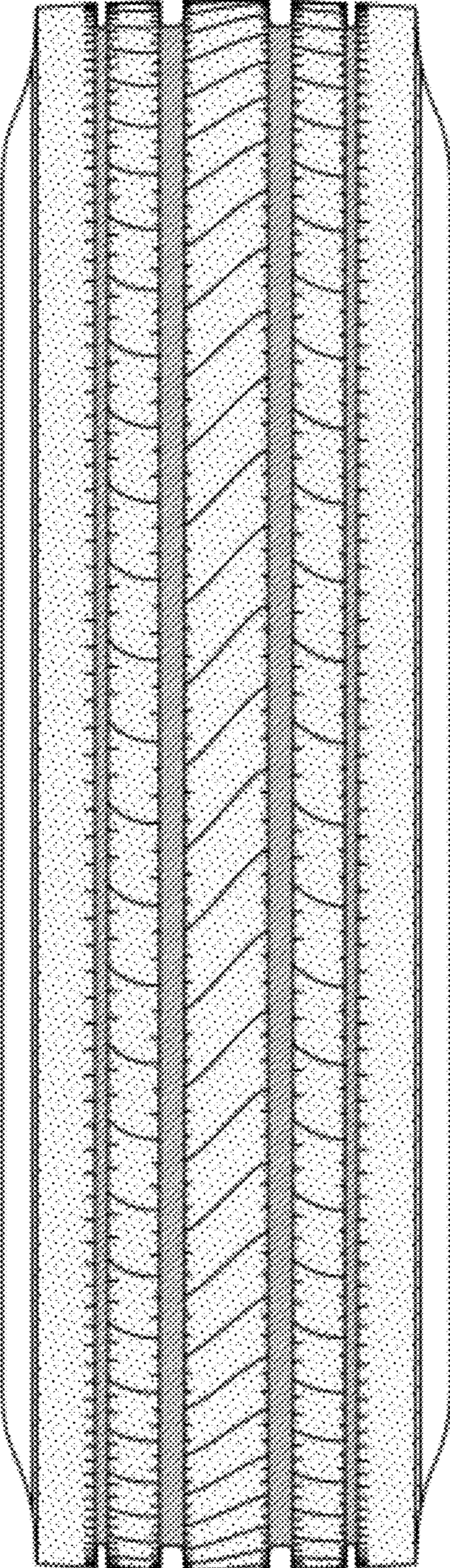


FIG-6