



US00D674739S

(12) **United States Design Patent**
Georges et al.

(10) **Patent No.:** **US D674,739 S**

(45) **Date of Patent:** **** Jan. 22, 2013**

(54) **TIRE**

(75) Inventors: **Francois Pierre Charles Gerard Georges**, Stavelot (BE); **Didier Winkin**, Bastogne (BE); **Lothar Braun**, Bollendorf (DE); **Frank Pierre Severens**, Arlon (BE); **Claude Pierre Georges**, Luxembourg (LU)

(73) Assignee: **The Goodyear Tire & Rubber Company**, Akron, OH (US)

(**) Term: **14 Years**

(21) Appl. No.: **29/397,305**

(22) Filed: **Jul. 14, 2011**

(51) **LOC (9) Cl.** **12-16**

(52) **U.S. Cl.** **D12/586**

(58) **Field of Classification Search** D12/505-532,
D12/596, 594; 152/209.1-209.28

See application file for complete search history.

(56) **References Cited**

U.S. PATENT DOCUMENTS

D370,439 S	6/1996	Feider et al.	D12/141
6,142,200 A *	11/2000	Feider et al.	152/209.14
D437,267 S *	2/2001	Ricquet	D12/597
D448,707 S	10/2001	Maziarka et al.	D12/147
D451,860 S	12/2001	Schuster et al.	D12/147
D472,205 S *	3/2003	Caretta et al.	D12/591
D517,468 S	3/2006	Le et al.	D12/566
D528,500 S	9/2006	Le et al.	D12/600
D534,484 S	1/2007	Feider et al.	D12/584
D534,858 S	1/2007	Le et al.	D12/553
D545,756 S	7/2007	Feider et al.	D12/521
D554,053 S	10/2007	Feider et al.	D12/588
D554,055 S	10/2007	Beauguitte et al.	D12/600
D555,081 S	11/2007	Feider et al.	D12/588
D581,347 S	11/2008	Feider et al.	D12/523

D586,727 S *	2/2009	Campana	D12/545
D604,228 S	11/2009	Le et al.	D12/582
D604,229 S	11/2009	Le et al.	D12/582
D604,230 S	11/2009	Brown et al.	D12/588
D605,108 S	12/2009	Brown et al.	D12/588
D609,169 S	2/2010	Feider	D12/588
D620,430 S	7/2010	Gillard et al.	D12/600
D647,033 S *	10/2011	Murata et al.	D12/584

* cited by examiner

Primary Examiner — George D Kirschbaum

(74) *Attorney, Agent, or Firm* — Richard B. O'Planick

(57) **CLAIM**

The ornamental design for a tire, as shown and described.

DESCRIPTION

FIG. 1 is a perspective view of a tire showing our new design, it being understood that the pattern repeats uniformly throughout the circumference of the tread;

FIG. 2 is a front elevational view thereof;

FIG. 3 is a right side elevational view thereof; the opposite side elevational view being identical thereto;

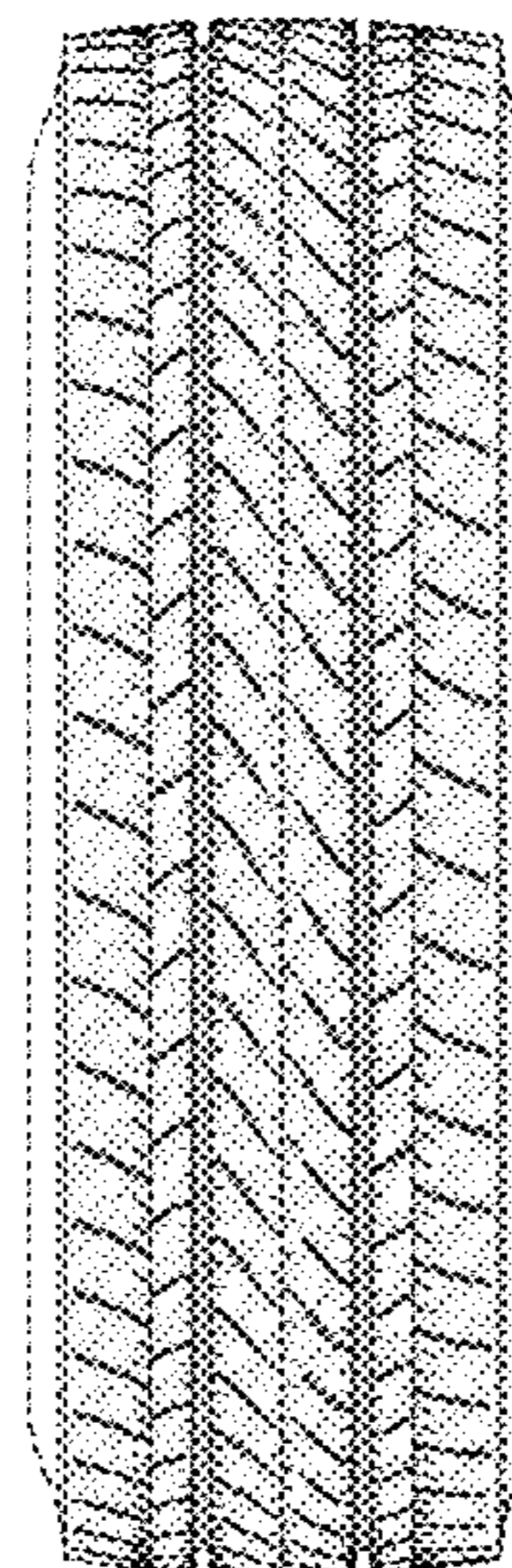
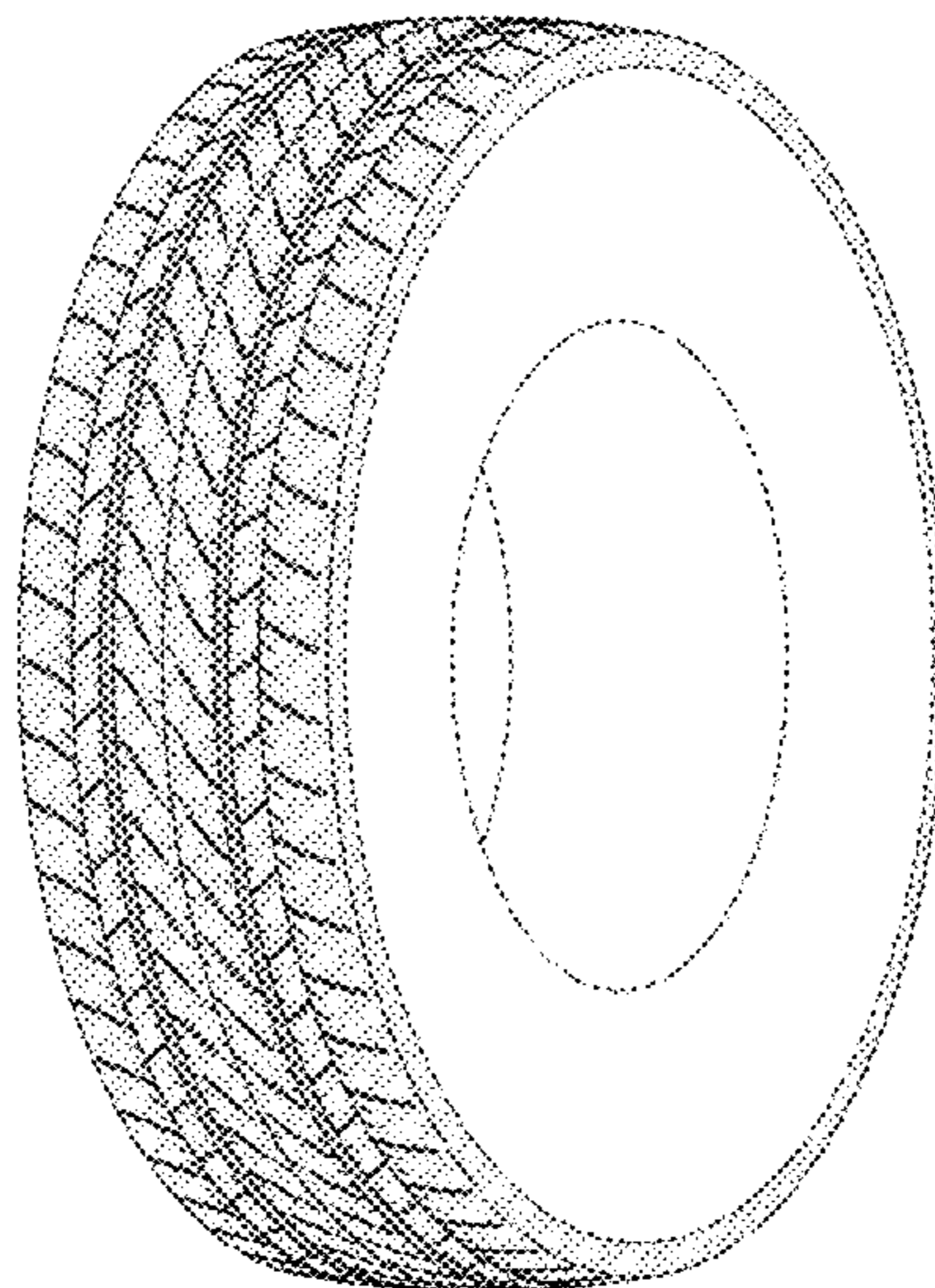
FIG. 4 is an enlarged fragmentary front elevational view thereof;

FIG. 5 is a perspective view of a second embodiment of a tire showing our new design, it being understood that the pattern repeats uniformly throughout the circumference of the tread and that the opposite side view is identical thereto; and,

FIG. 6 is a front elevational view of a second embodiment, it being understood that an enlarged fragmentary view thereof would be substantially identical to that shown in FIG. 4, with the exception of the inclusion of the sidewall in solid lines.

In the drawings, the broken lines showing of the sidewall, inner bead and the peripheral boundary between the tire tread and the sidewall in FIGS. 1 through 4 depict environmental subject matter and form no part of the claimed design.

1 Claim, 6 Drawing Sheets



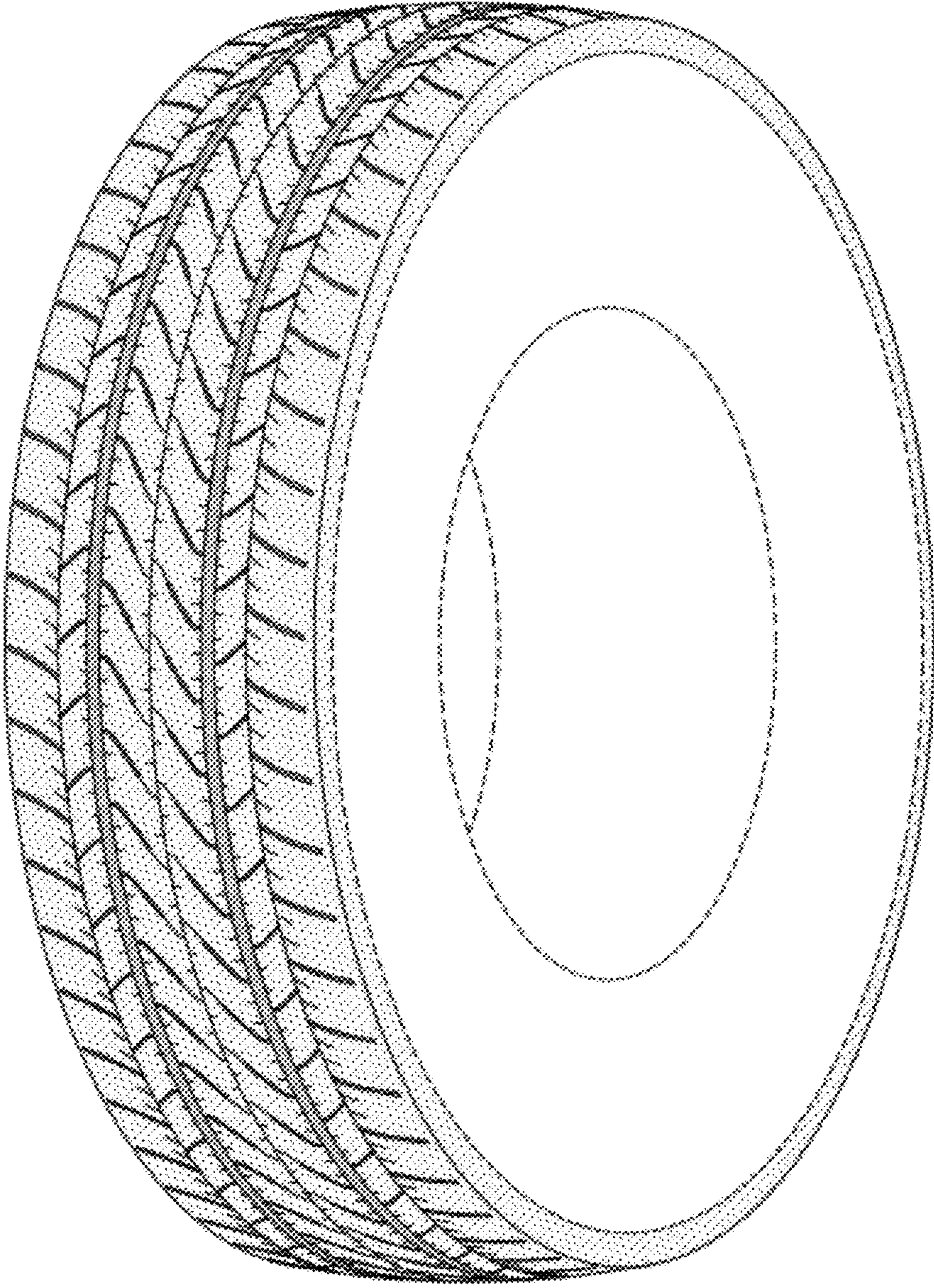


FIG-1

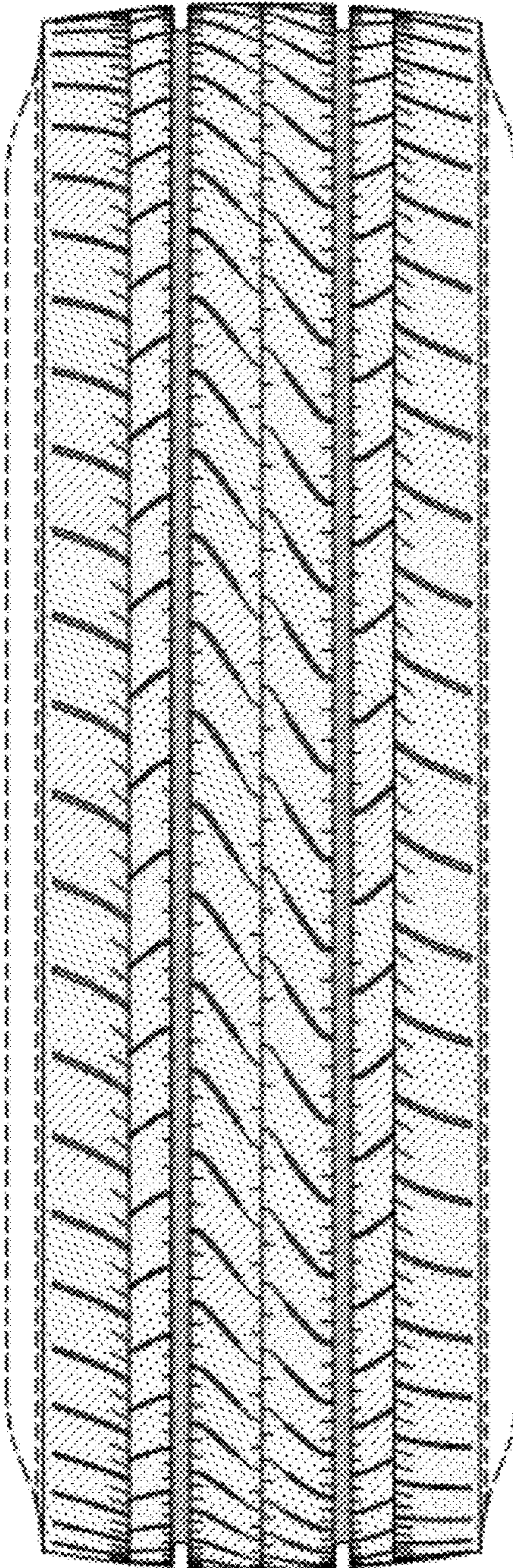


FIG-2

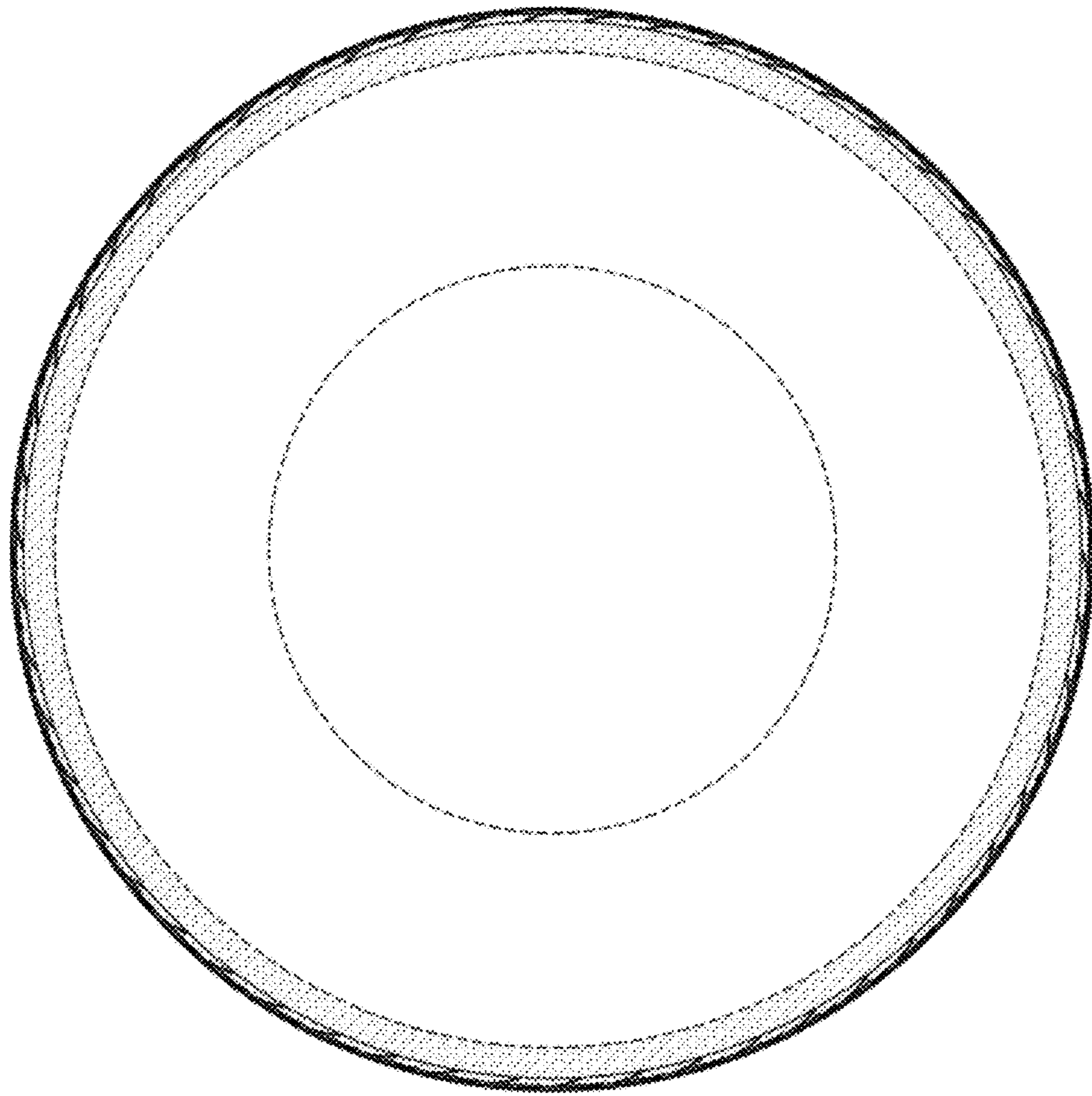


FIG-3

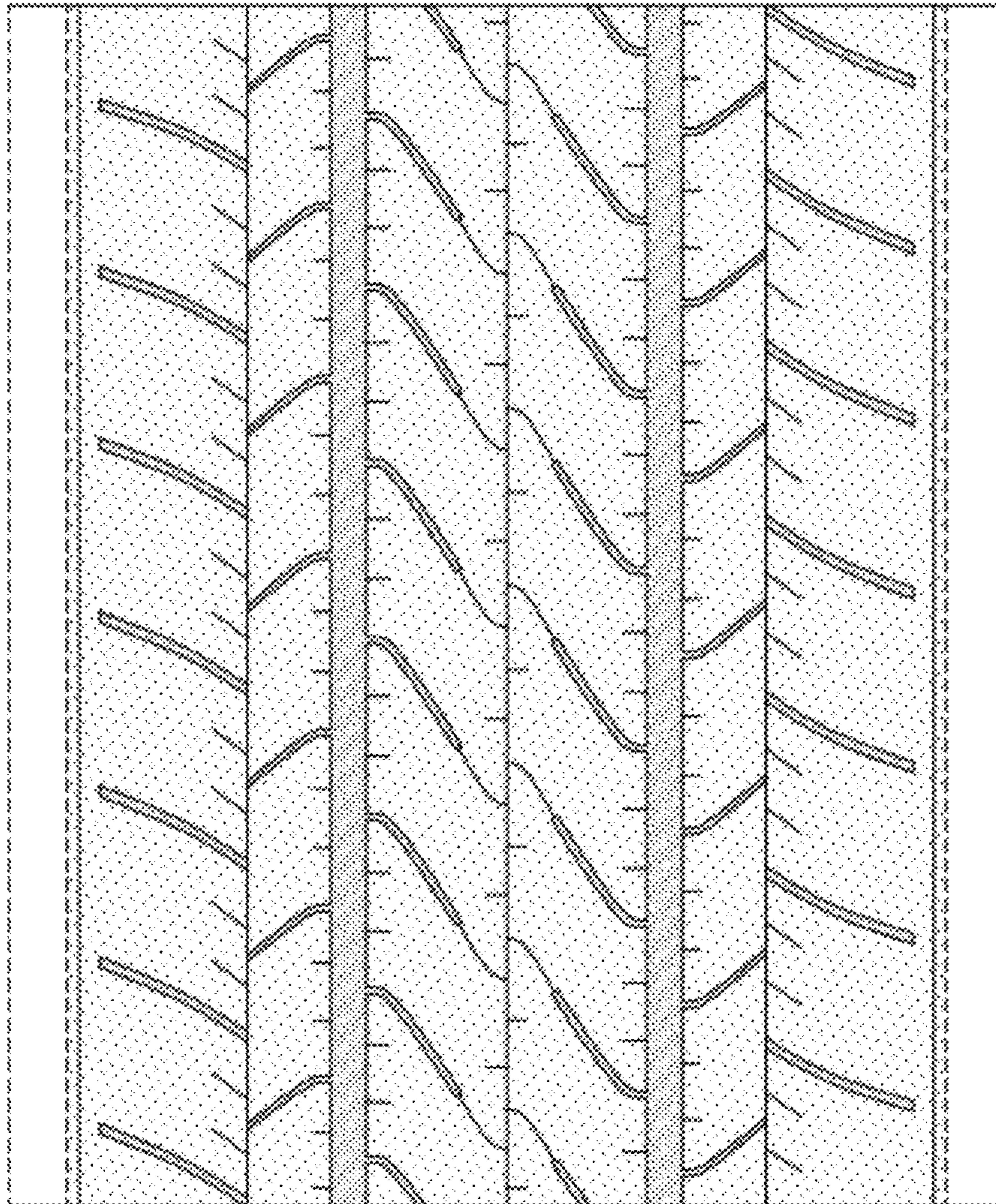


FIG-4

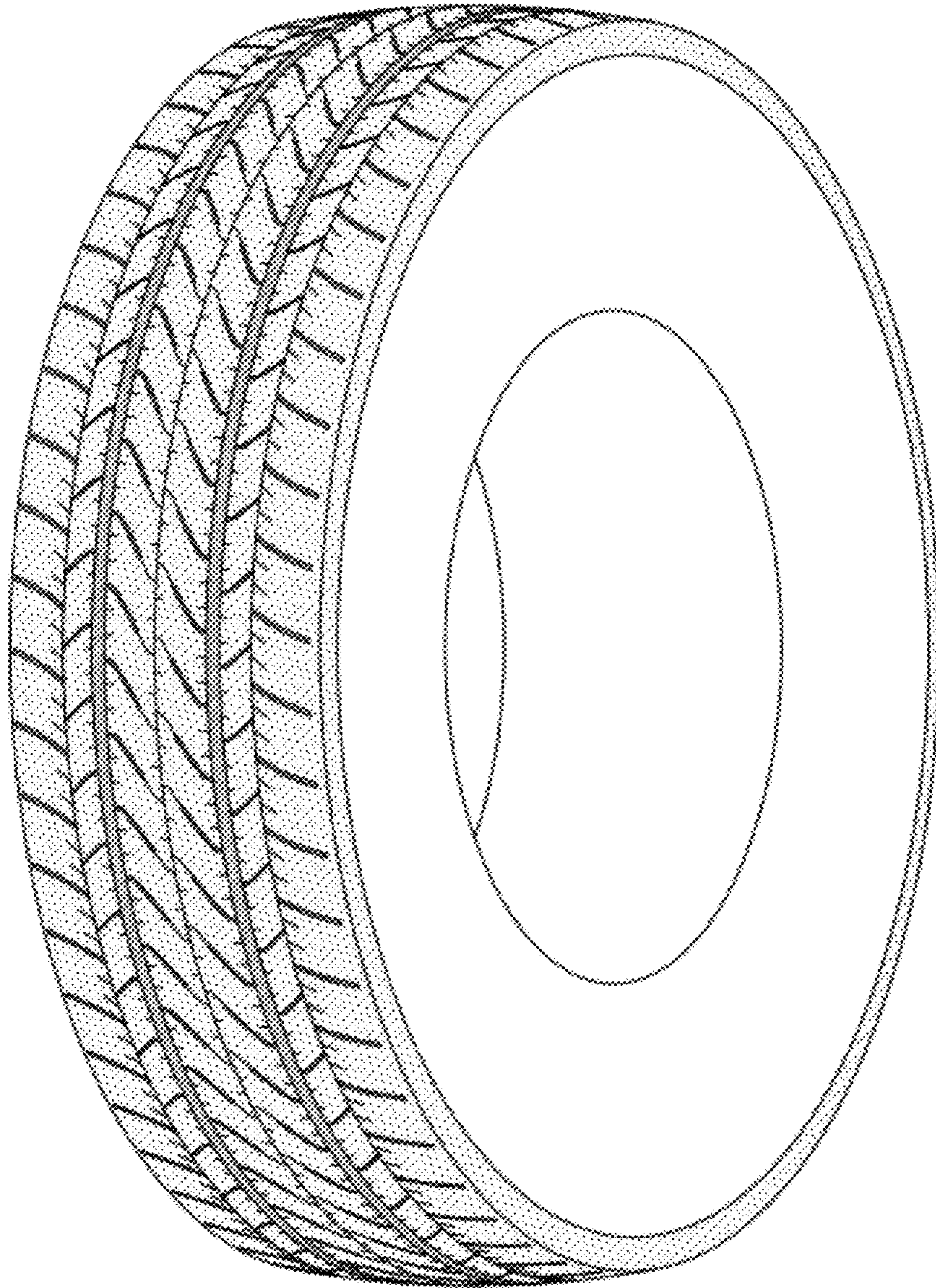


FIG-5

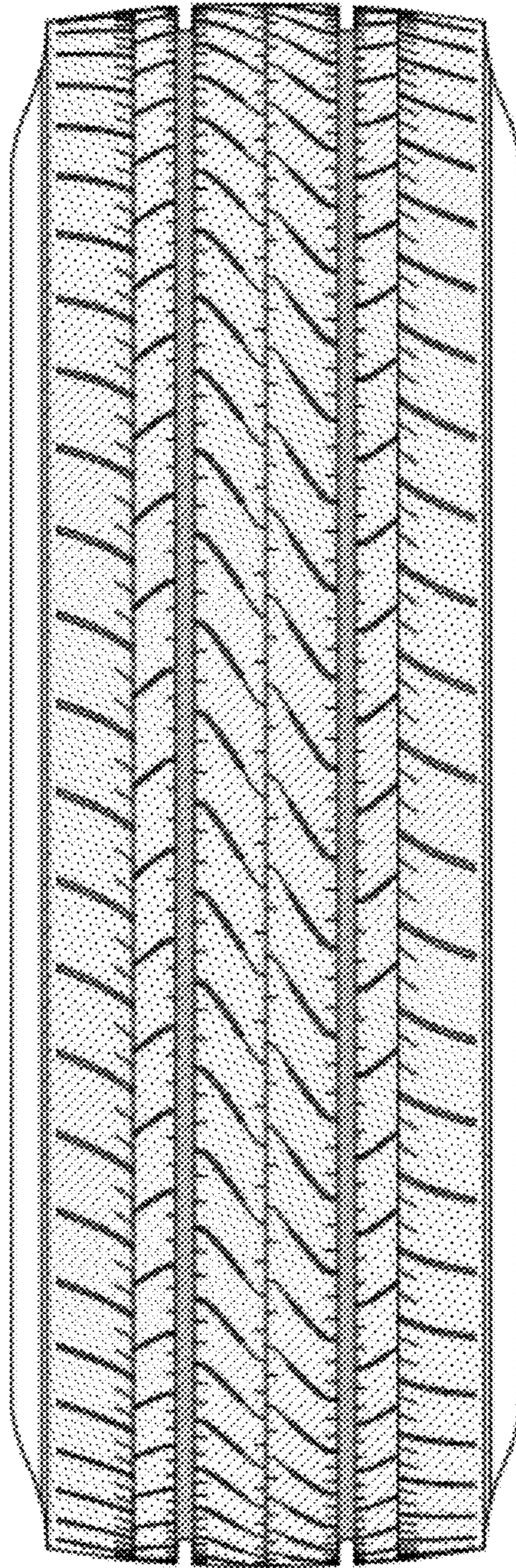


FIG-6

UNITED STATES PATENT AND TRADEMARK OFFICE
Certificate

Patent No. D. 674,739 S

Patented: January 22, 2013

On petition requesting issuance of a certificate for correction of inventorship pursuant to 35 U.S.C. 256, it has been found that the above identified patent, through error and without any deceptive intent, improperly sets forth the inventorship.

Accordingly, it is hereby certified that the correct inventorship of this patent is: Francois Pierre Charles Gerard Georges, Stavelot (BE); Didier Winkin, Bastogne (BE); Lothar Braun, Bollendorf (DE); Frank Pierre Severens, Arlon (BE); Claude Pierre Georges, Luxembourg (LU); Daniel Scheuren, Arlon (BE); and Vincent Benoit Mathonet, Harze (BE).

Signed and Sealed this Twenty-second Day of April 2014.

CARON VEYNAR
Supervisory Patent Examiner
Art Unit 2917
Technology Center 2900