



US00D674734S

(12) **United States Design Patent**
Fujino et al.

(10) **Patent No.:** **US D674,734 S**
(45) **Date of Patent:** **** Jan. 22, 2013**

(54) **AIRCRAFT WITH EXTERIOR SURFACE ORNAMENTATION**

D619,076 S * 7/2010 Guering D12/343
D624,479 S * 9/2010 Guering D12/343
D624,480 S * 9/2010 Guering D12/343

(75) Inventors: **Michimasa Fujino**, Summerfield, NC (US); **Chris Osborne**, Efland, NC (US)

OTHER PUBLICATIONS

(73) Assignee: **Honda Patents & Technologies North America, LLC**, Torrance, CA (US)

“Honda Aircraft Company to Establish World Headquarters and Production Facility in Greensboro, NC,” <http://hondajet.honda.com>, [Press Release] Feb. 9, 2007.

(**) Term: **14 Years**

* cited by examiner

(21) Appl. No.: **29/377,021**

Primary Examiner — Robin V. Webster

(22) Filed: **Oct. 15, 2010**

Assistant Examiner — Maurice Stevens

(51) **LOC (9) Cl.** **12-07**

(52) **U.S. Cl.** **D12/345**

(58) **Field of Classification Search** D12/319–345;
D21/447, 448; 244/13, 15, 34 R, 36, 45 A,
244/45 R, 91, 130, 198, 211, 215

(74) *Attorney, Agent, or Firm* — Plumsea Law Group, LLC

See application file for complete search history.

(57) **CLAIM**

The ornamental design for an aircraft with exterior surface ornamentation, as shown and described.

DESCRIPTION

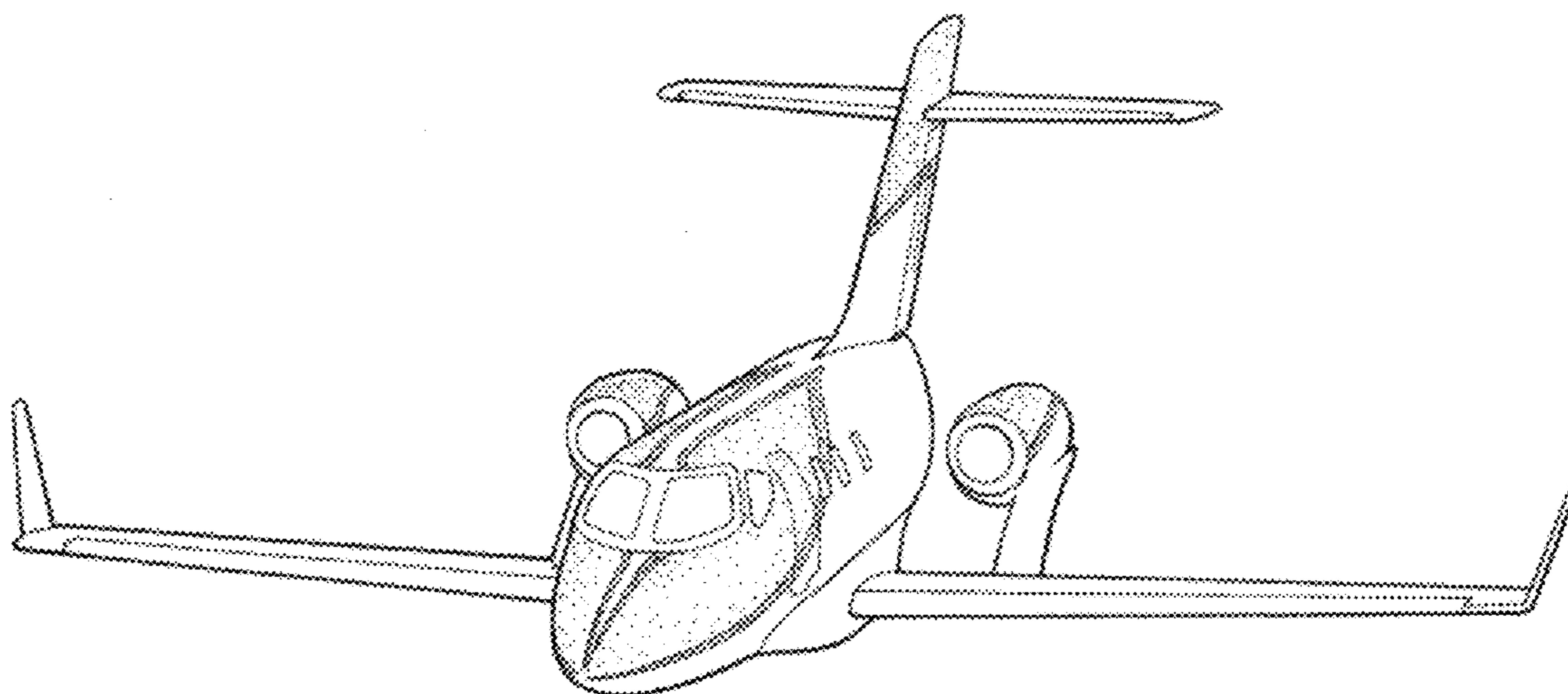
(56) **References Cited**

U.S. PATENT DOCUMENTS

D153,291 S * 4/1949 Kartveli D12/343
D166,673 S * 5/1952 Kartveli D12/343
D308,281 S * 6/1990 Bergman et al. D2/978
D358,432 S * 5/1995 Harada D21/448
D576,938 S * 9/2008 Moon D12/343
D589,867 S * 4/2009 Chesne et al. D12/343
D605,576 S * 12/2009 Posva D12/343
D612,792 S * 3/2010 Guering D12/343
D617,724 S * 6/2010 Saint-Jalmes et al. D12/343

FIG. 1 is a perspective view of an aircraft with exterior surface ornamentation showing our new design; FIG. 2 is a left perspective view thereof; FIG. 3 is a right perspective view thereof; FIG. 4 is a side elevational view thereof, the opposite side elevational view being a mirror image; FIG. 5 is a top plan view thereof; and, FIG. 6 is a front elevational view thereof. The two different stippled shadings represent a contrast in appearance.

1 Claim, 6 Drawing Sheets



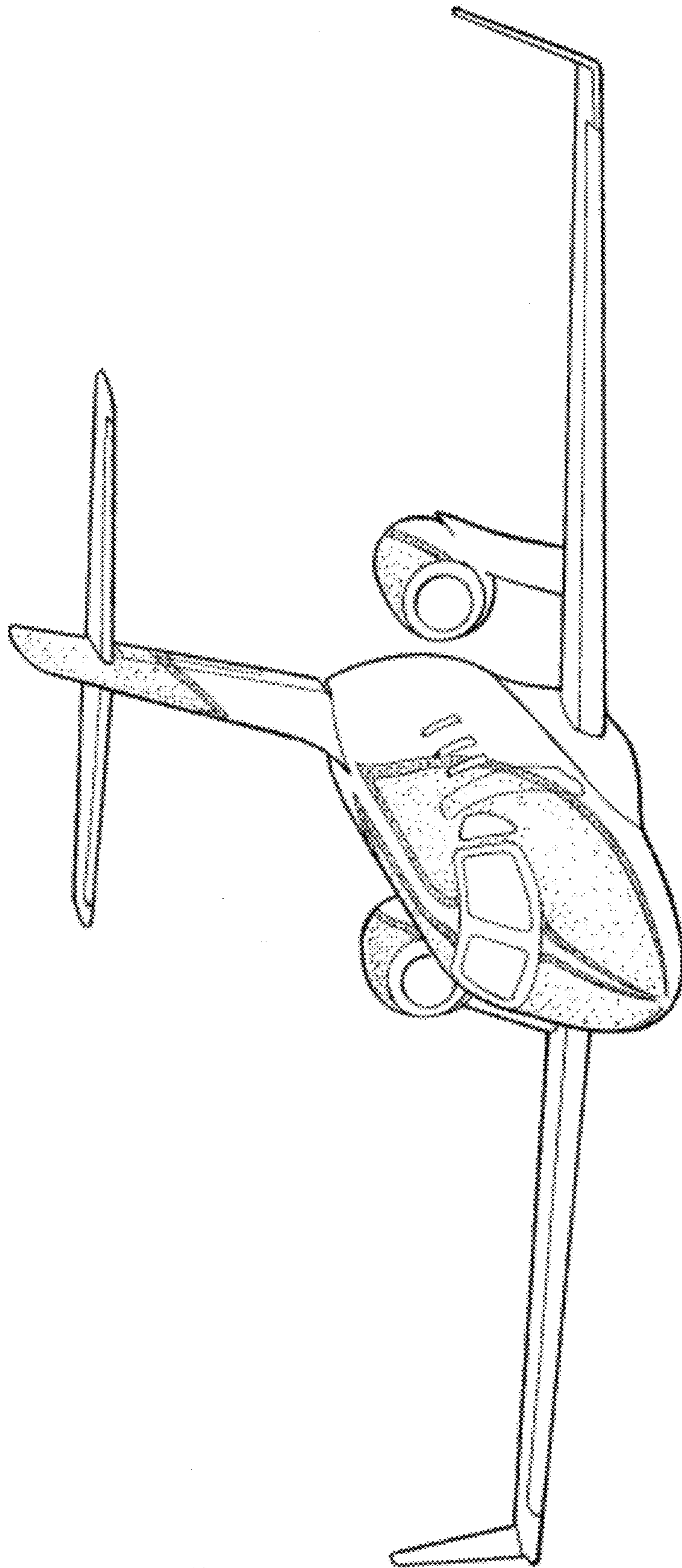


FIG. 1

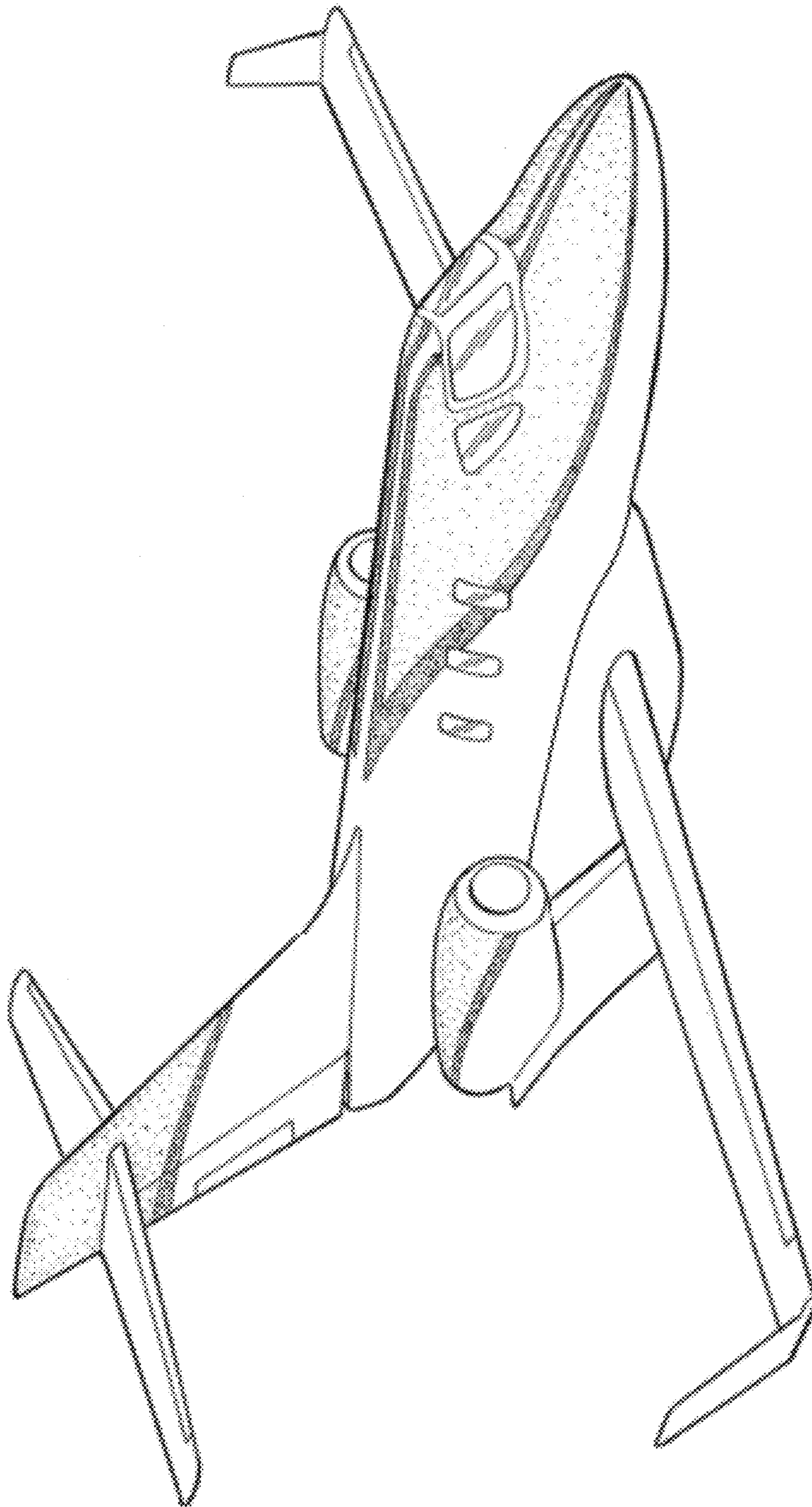


FIG. 2

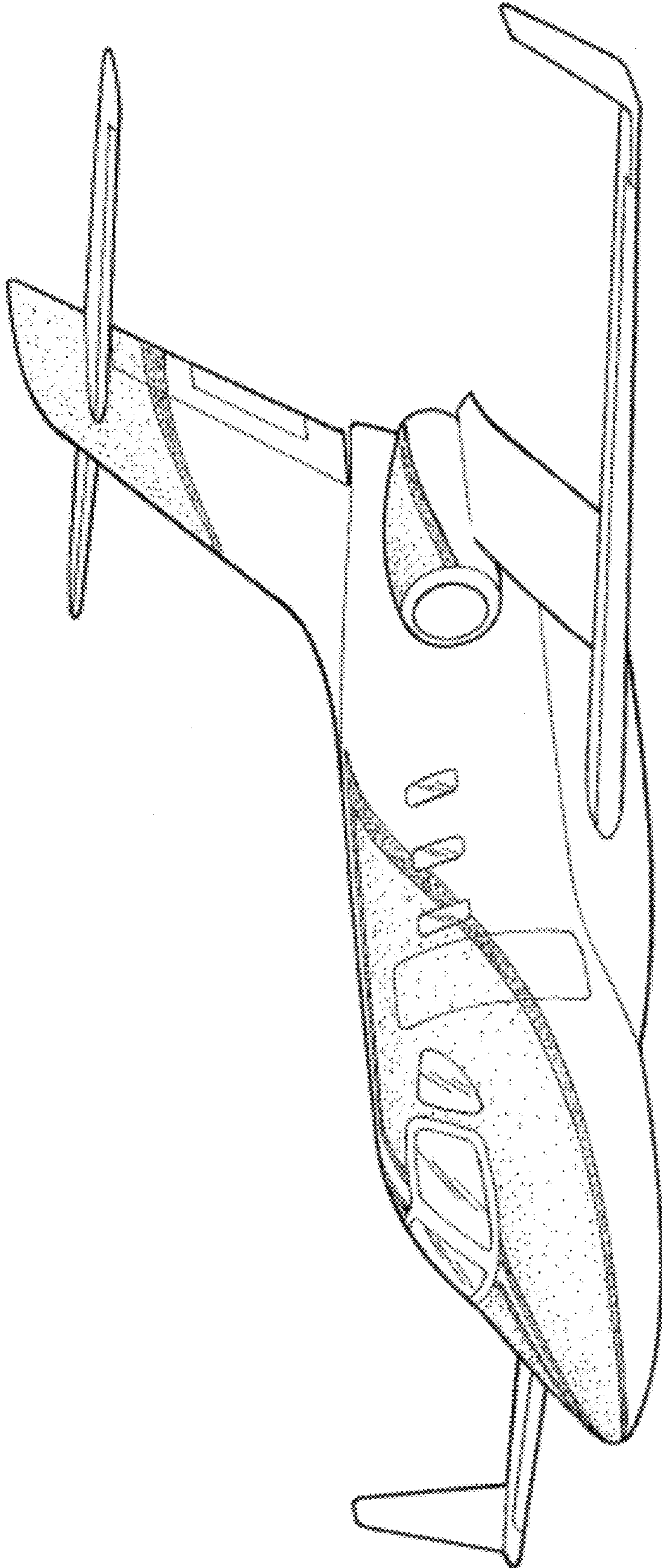


FIG. 3

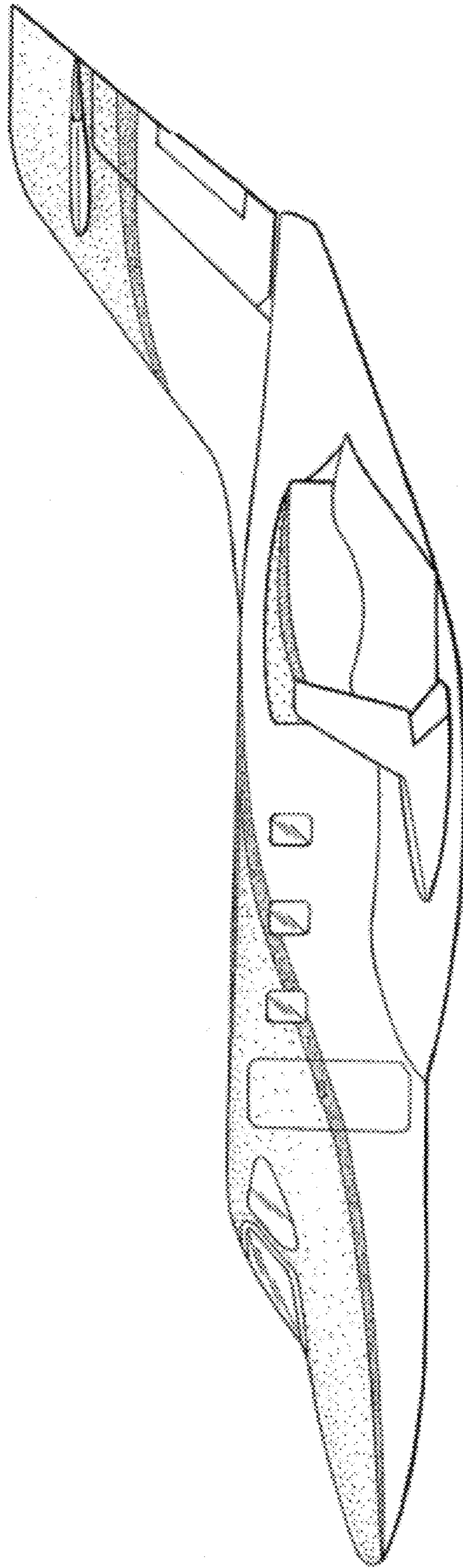


FIG. 4

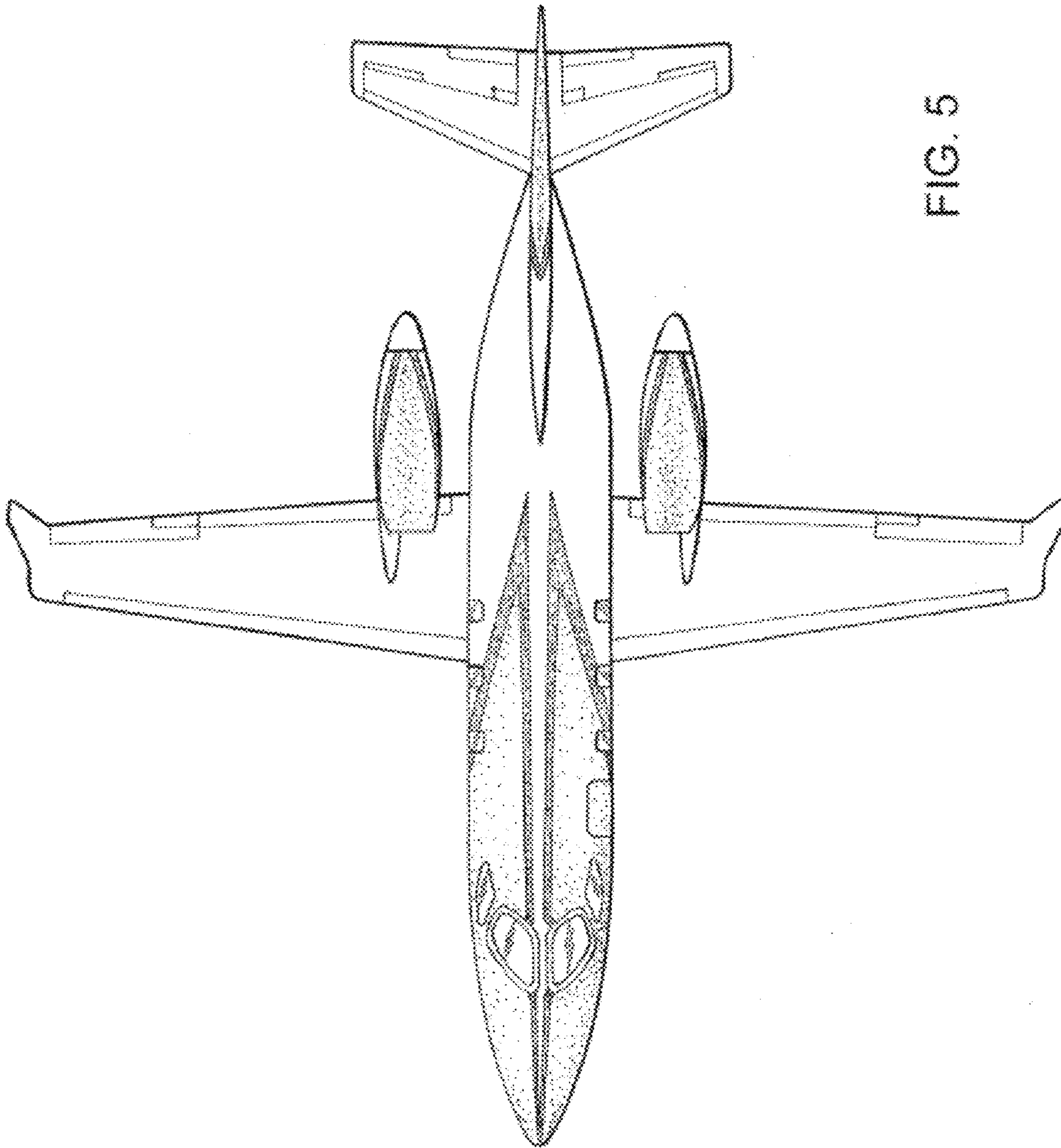


FIG. 5

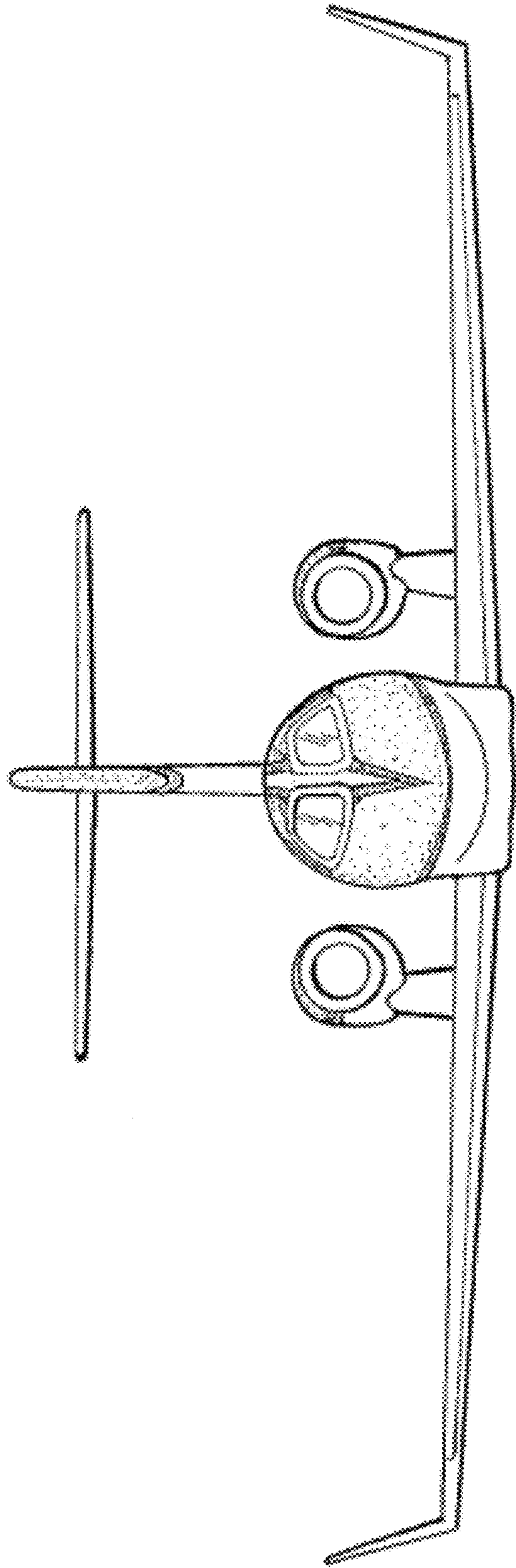


FIG. 6