



US00D674732S

(12) **United States Design Patent**  
**Gladwin**

(10) **Patent No.:** **US D674,732 S**

(45) **Date of Patent:** **\*\* Jan. 22, 2013**

(54) **WHEEL COWL**

(76) **Inventor:** **Richard George Gladwin, Gauteng**  
**(ZA)**

(\*\*) **Term:** **14 Years**

(21) **Appl. No.:** **29/390,397**

(22) **Filed:** **Apr. 25, 2011**

(51) **LOC (9) Cl.** ..... **12-16**

(52) **U.S. Cl.** ..... **D12/184**

(58) **Field of Classification Search** ..... D12/181,  
D12/184, 185, 209, 604; 280/152.1, 847,  
280/848, 849, 851; 296/181.1, 181.5

See application file for complete search history.

(56) **References Cited**

**U.S. PATENT DOCUMENTS**

3,411,708	A *	11/1968	Crowe	.....	415/142
4,576,301	A *	3/1986	Tedder	.....	220/571
5,255,874	A *	10/1993	Roussel	.....	244/103 R
5,342,173	A *	8/1994	Vera	.....	416/169 A
D364,797	S *	12/1995	Peterson	.....	D8/360
6,276,746	B1 *	8/2001	Gentry et al.	.....	296/180.1
D505,583	S *	5/2005	Allsopp	.....	D6/580
D513,560	S *	1/2006	Neumann	.....	D3/318
D575,512	S *	8/2008	Moon	.....	D3/318

D576,407	S *	9/2008	Moon	.....	D3/318
7,458,595	B2 *	12/2008	Bonnaud et al.	.....	280/160
2008/0024002	A1 *	1/2008	Guthrie	.....	301/37.104
2008/0231082	A1 *	9/2008	Mathew	.....	296/198

\* cited by examiner

*Primary Examiner* — Philip S Hyder

*Assistant Examiner* — John T Applewhite

(74) *Attorney, Agent, or Firm* — Wenderoth, Lind & Ponack, LLP

(57) **CLAIM**

The ornamental design for a wheel cowl, as shown and described.

**DESCRIPTION**

FIG. 1 is a perspective view of a wheel cowl in accordance of the design;

FIG. 2 is a view of a first side of a wheel cowl of FIG. 1;

FIG. 3 is a plan view from above of the wheel cowl of FIG. 1;

FIG. 4 is a front view of the wheel cowl of FIG. 1;

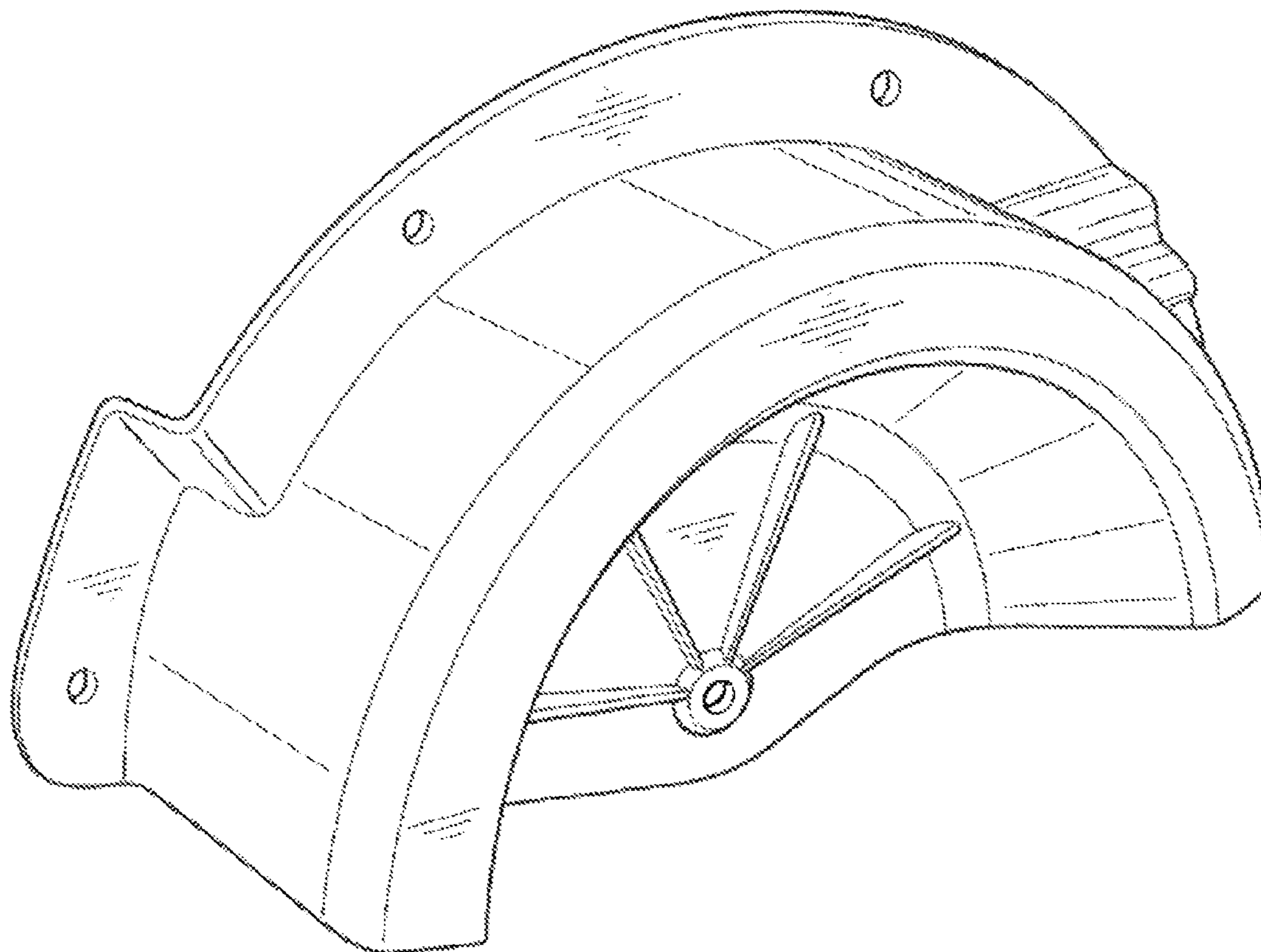
FIG. 5 is a view of a second side of the wheel cowl of FIG. 1;

FIG. 6 is a plan view from below of the fence panel of FIG. 1;

and,

FIG. 7 is a view from the rear end of the wheel cowl of FIG. 1.

**1 Claim, 3 Drawing Sheets**



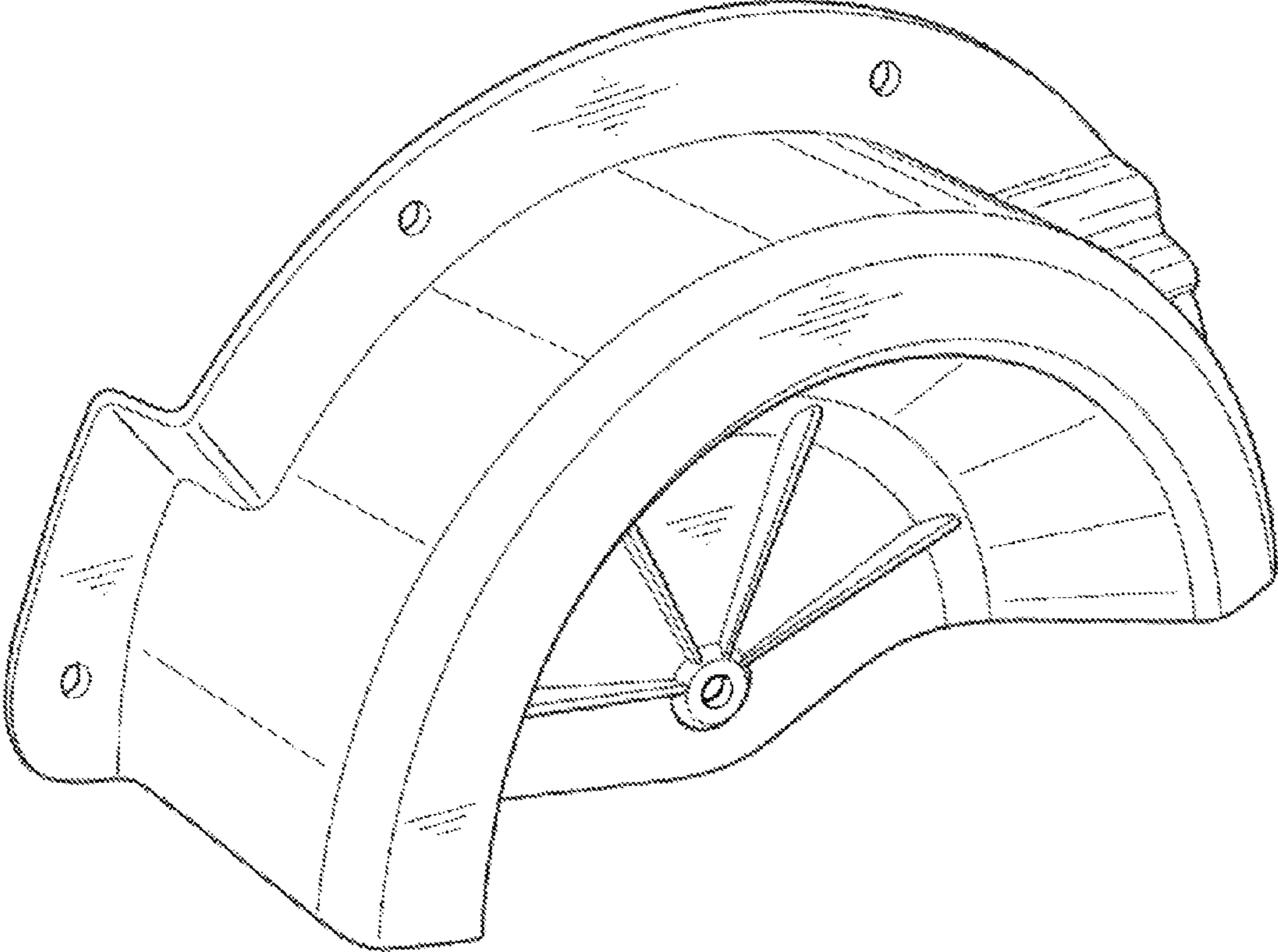


FIGURE 1

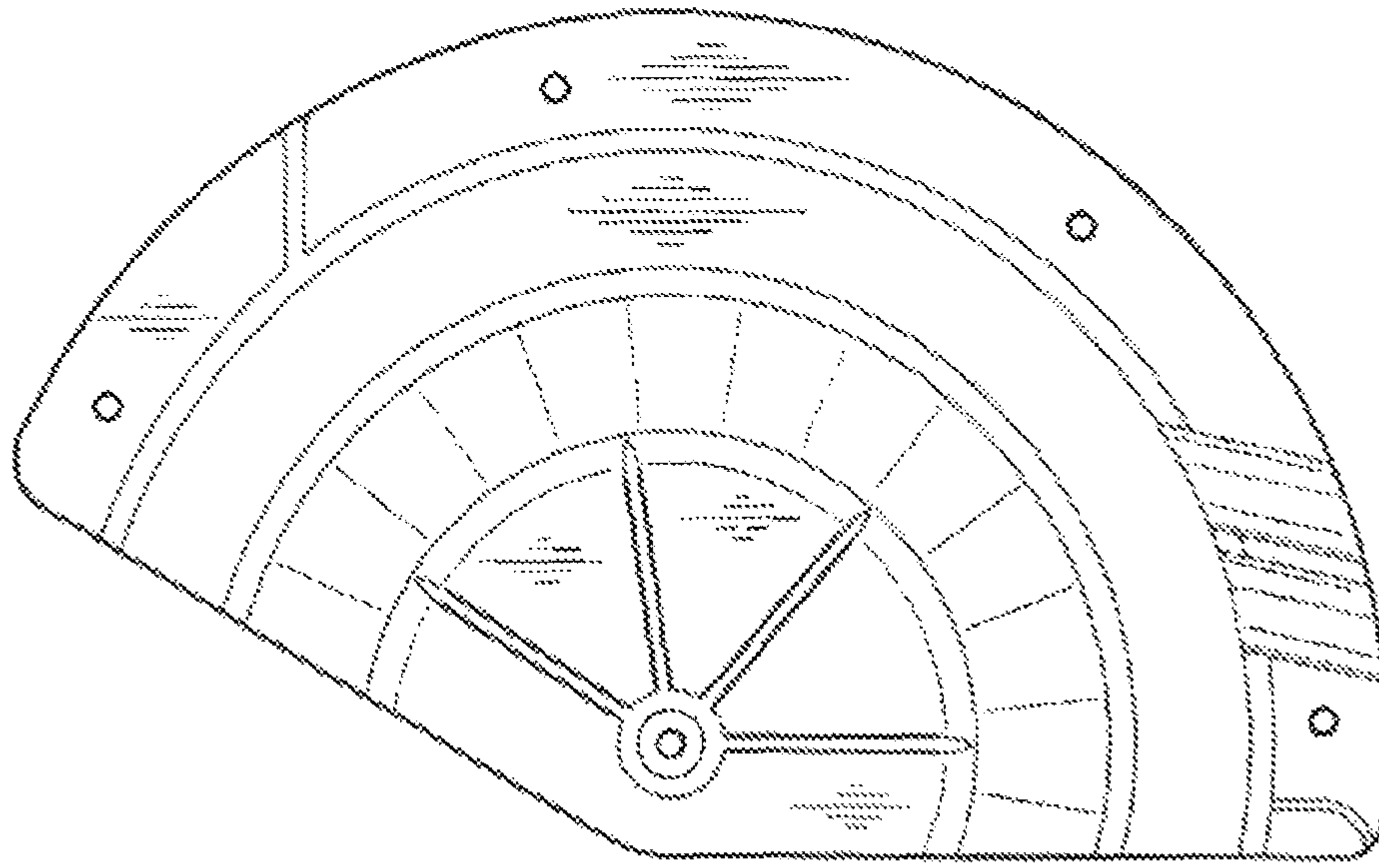


FIGURE 2

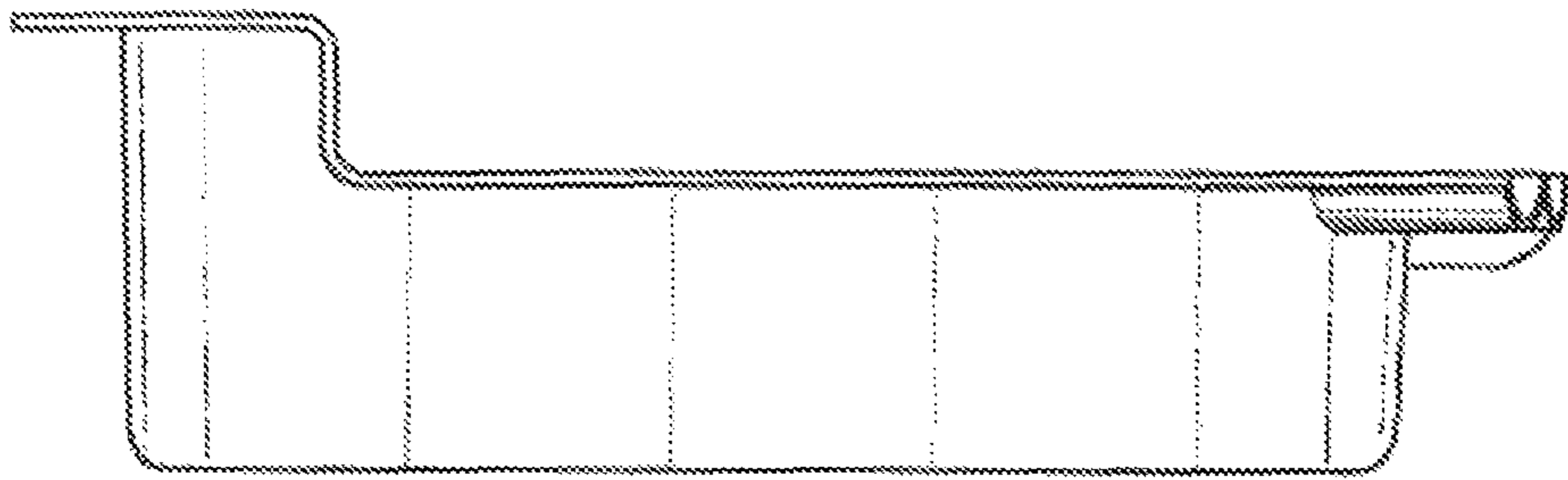


FIGURE 3

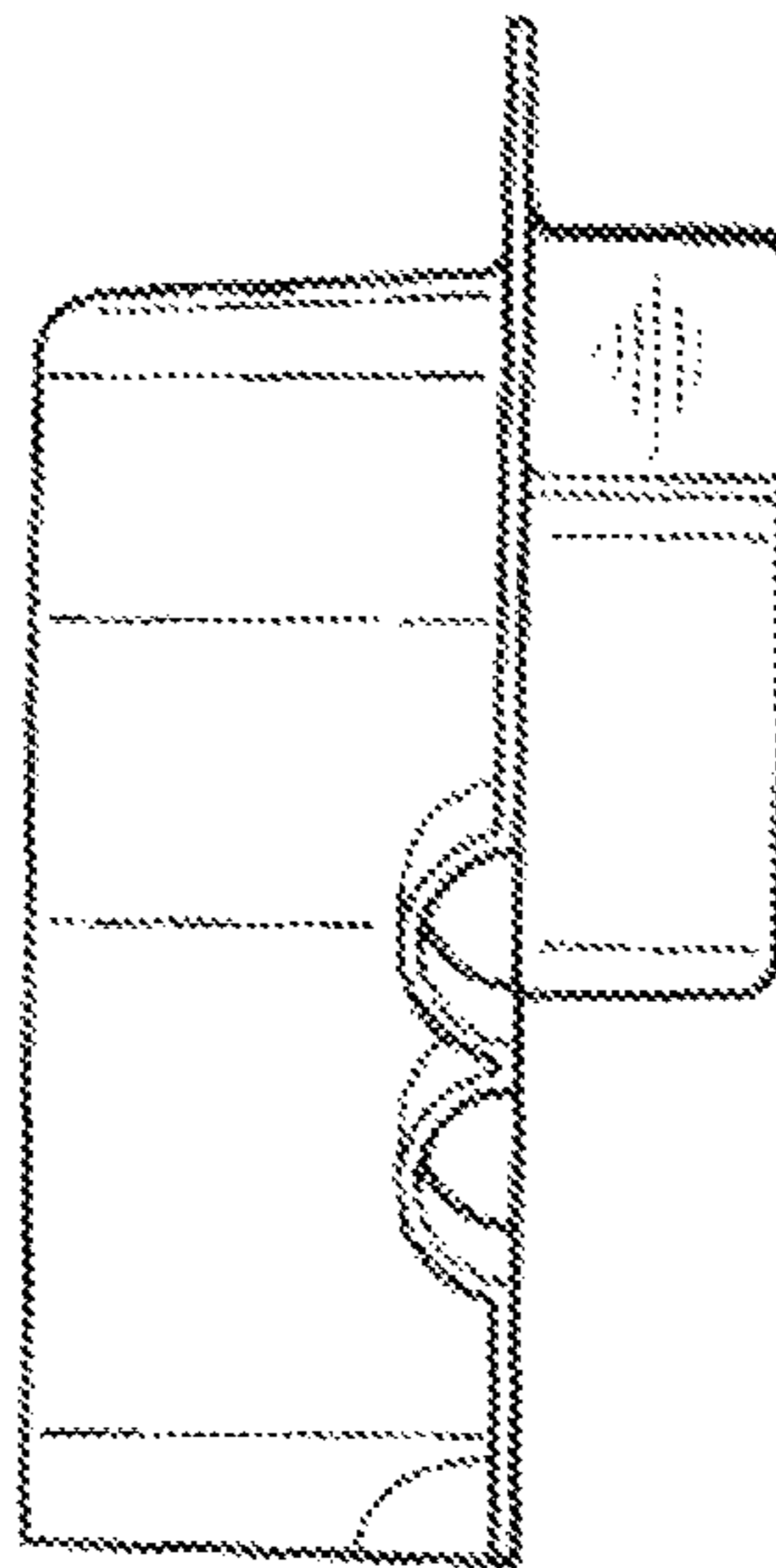


FIGURE 4

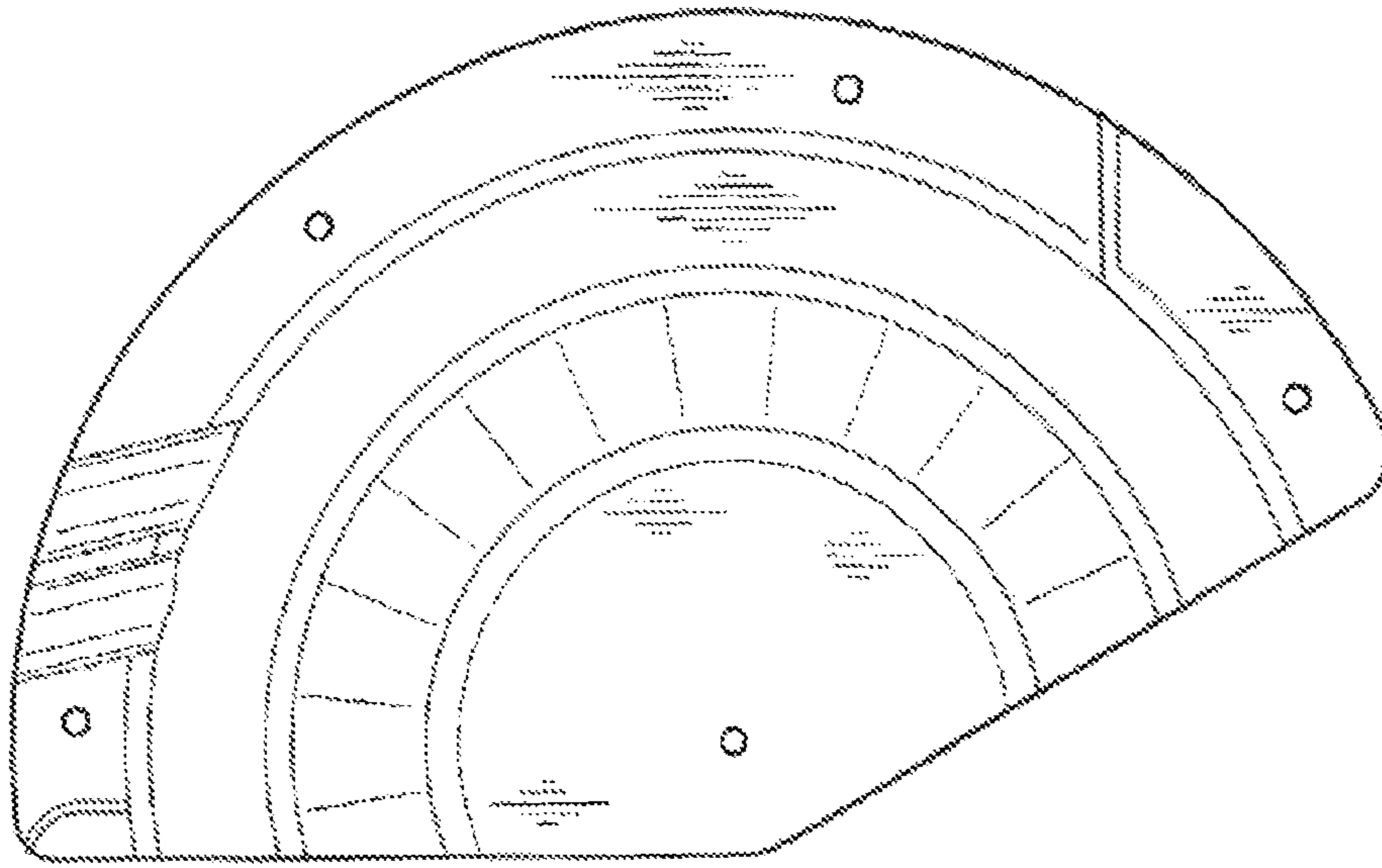


FIGURE 5

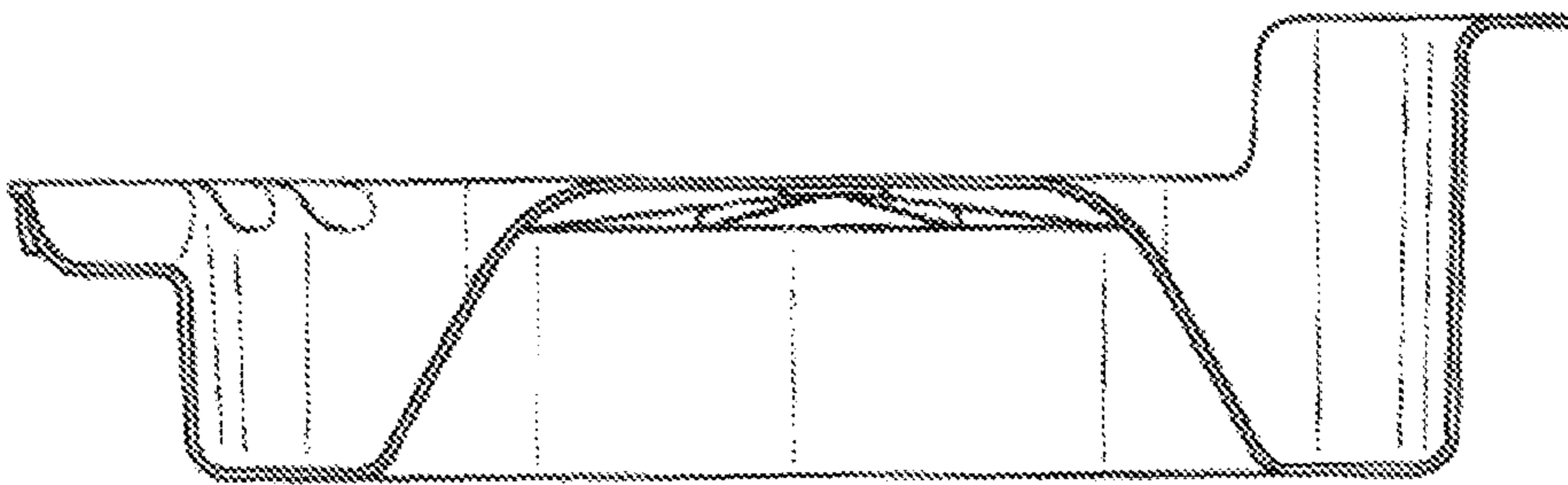


FIGURE 6

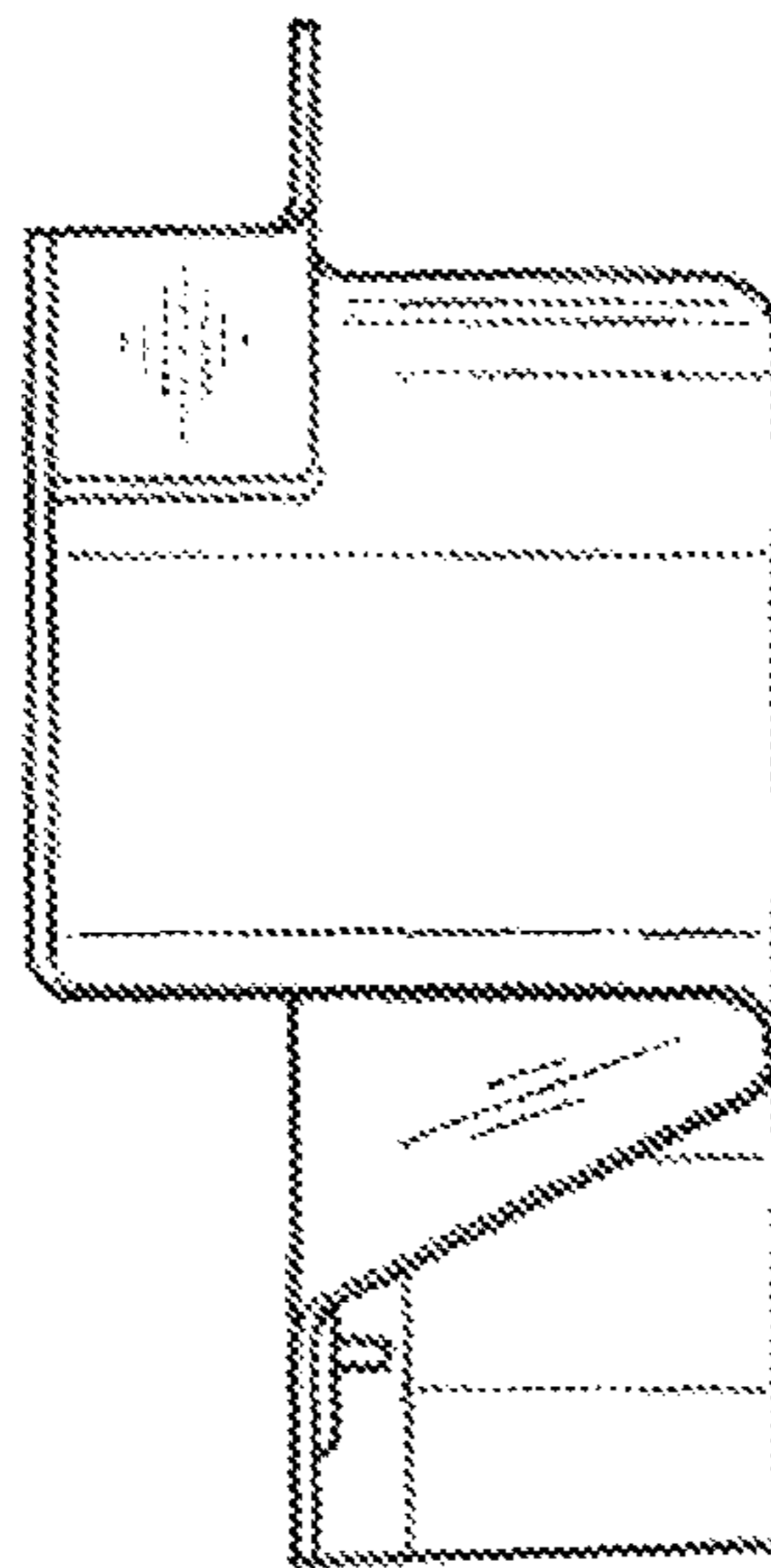


FIGURE 7