



US00D674729S

(12) **United States Design Patent**
Goldstein

(10) **Patent No.:** **US D674,729 S**

(45) **Date of Patent:** **** Jan. 22, 2013**

(54) **RECLINING CHAIR**

(76) Inventor: **Eric J. Goldstein**, Tucson, AZ (US)

(**) Term: **14 Years**

(21) Appl. No.: **29/389,686**

(22) Filed: **Apr. 14, 2011**

(51) **LOC (9) Cl.** **12-12**

(52) **U.S. Cl.** **D12/133**

(58) **Field of Classification Search** D12/128-133;
280/62, 647-650, 29, 200, 47.38, 250.1,
280/259, 642, 658, 304.1; 128/99.1, 100.1
See application file for complete search history.

(56) **References Cited**

U.S. PATENT DOCUMENTS

4,545,599	A *	10/1985	Kassai	280/642
D341,802	S *	11/1993	Berg	D12/133
D431,798	S *	10/2000	Strycker et al.	D12/133
D468,239	S *	1/2003	Wang	D12/129
D469,389	S *	1/2003	Wang	D12/129
D469,722	S *	2/2003	Wang	D12/129
D598,333	S *	8/2009	Li et al.	D12/129

* cited by examiner

Primary Examiner — Ian Simmons

Assistant Examiner — Charles Hanson

(74) *Attorney, Agent, or Firm* — Dale F. Regelman; Quarles & Brady LLP

(57) **CLAIM**

The ornamental design for a reclining chair, as shown and described.

DESCRIPTION

FIG. 1 is a front, left side perspective view of a first embodiment of a reclining chair showing my new design;
FIG. 2 is a front view thereof;
FIG. 3 is a back view thereof;
FIG. 4 is a left side view thereof;
FIG. 5 is a right side view thereof;
FIG. 6 is a top, front view thereof; and,
FIG. 7 is a bottom view thereof.
The claimed design is shown in relatively bold lines. The relatively thin shade lines show contour and not surface ornamentation. The broken lines are environmental and form no part of the claimed design.

1 Claim, 7 Drawing Sheets

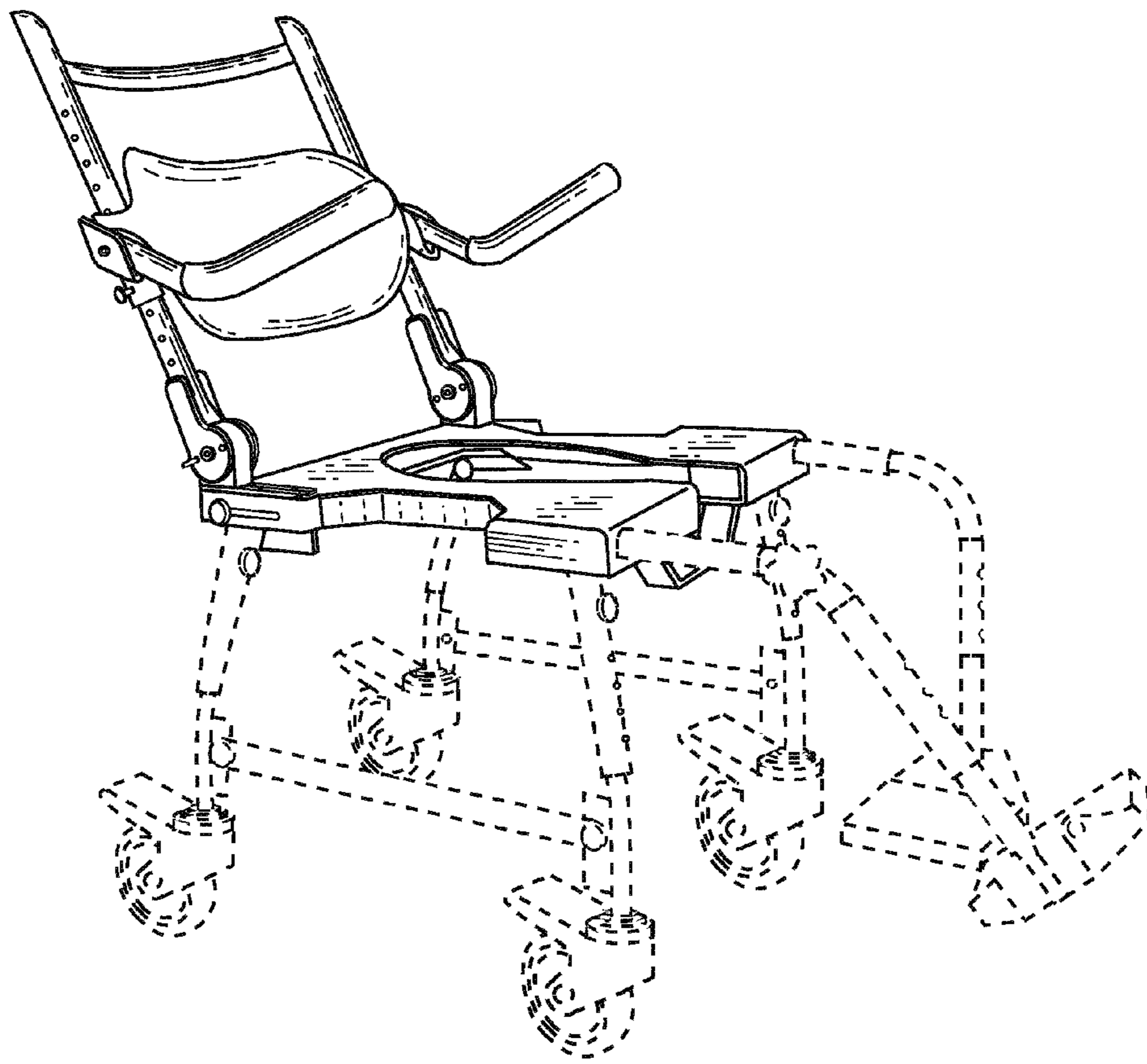


FIG. 1

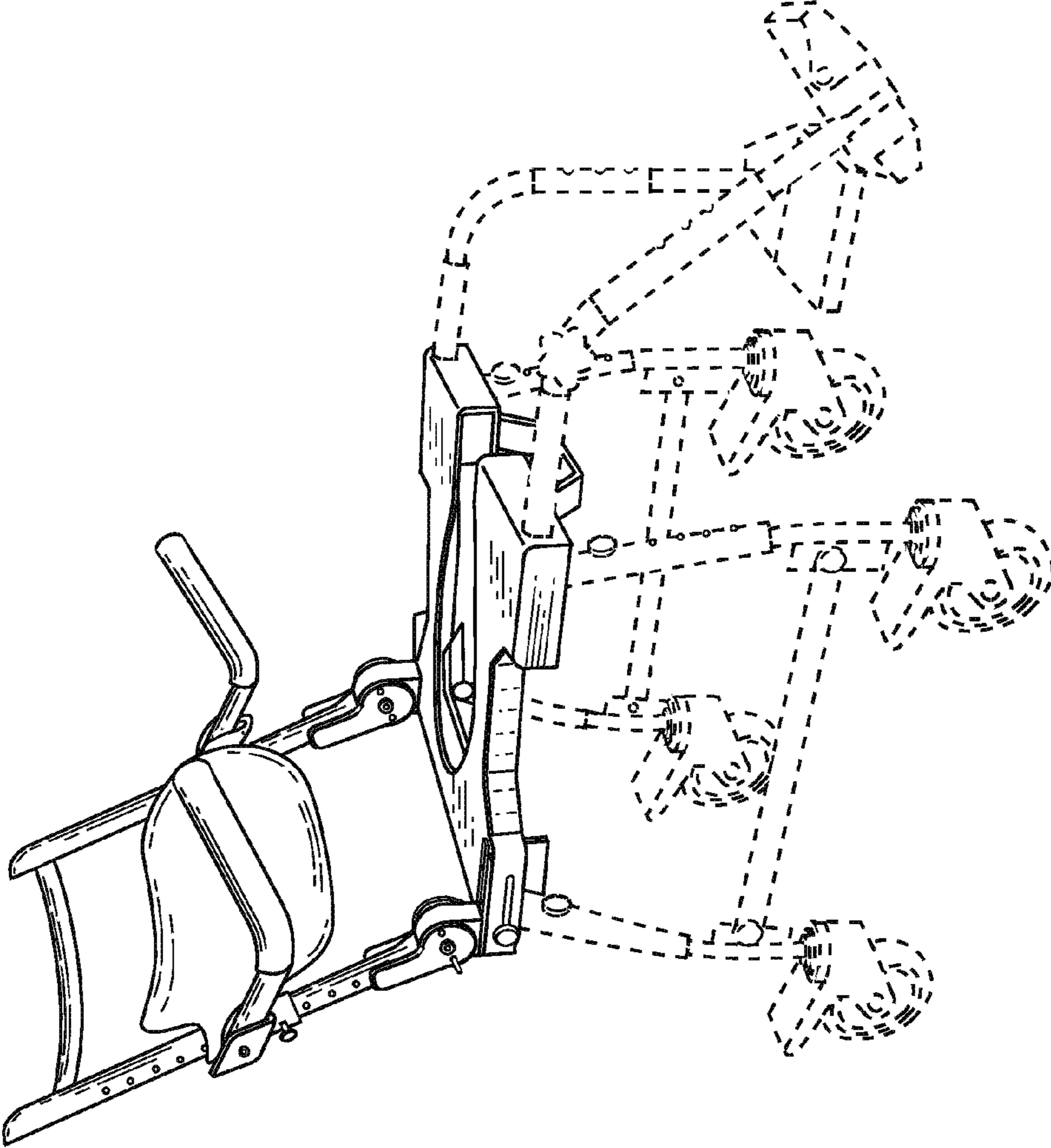


FIG. 2

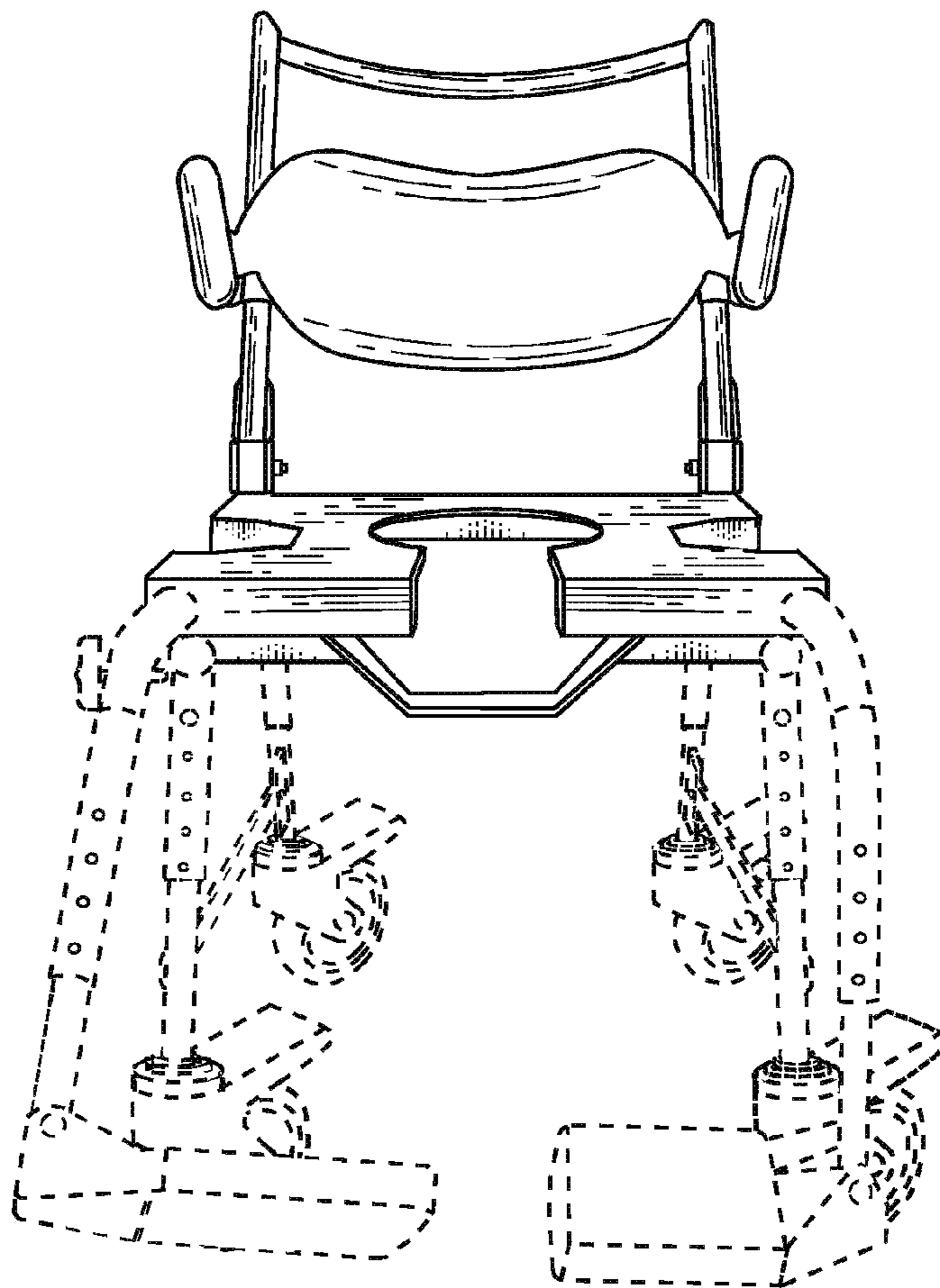


FIG. 3

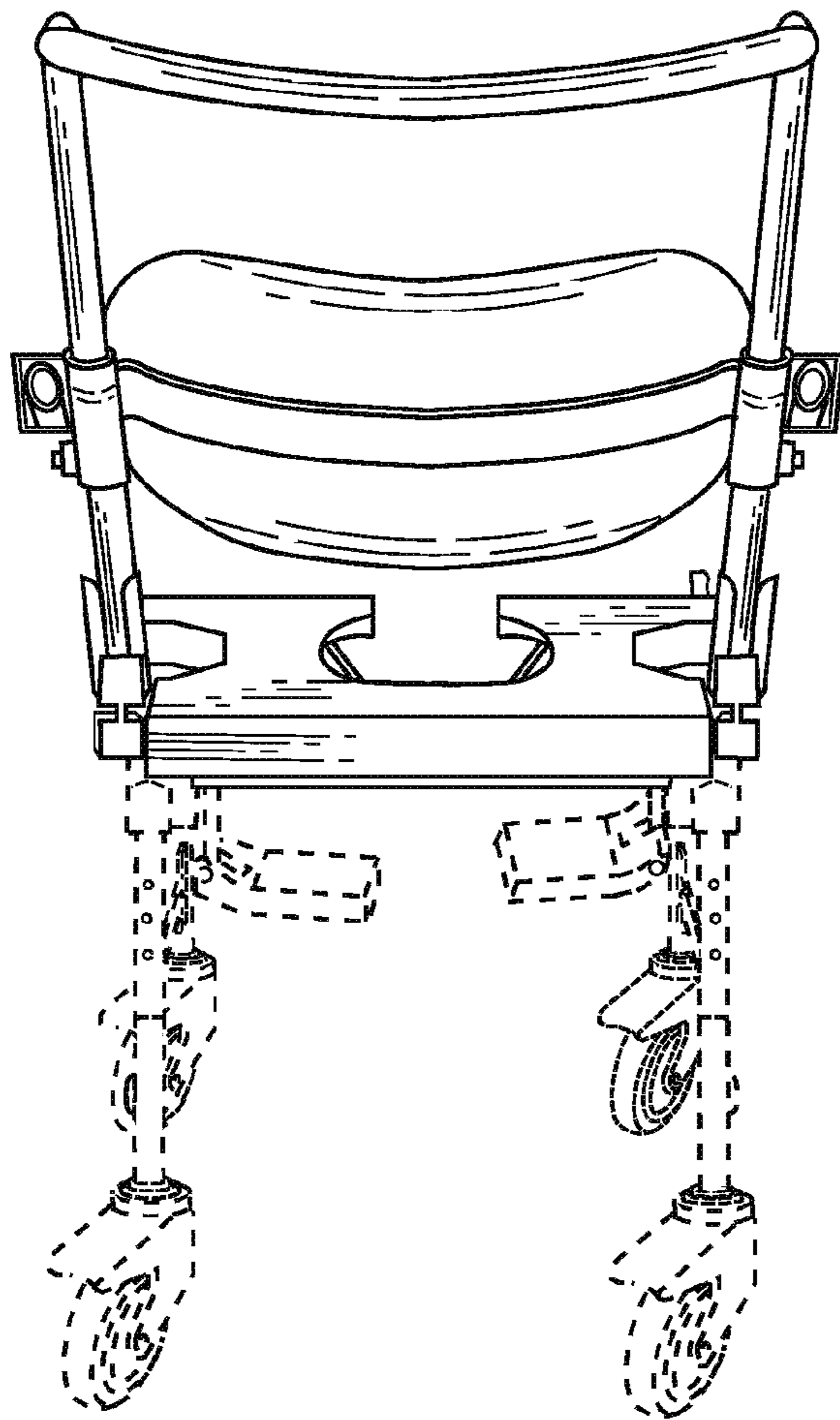


FIG. 4

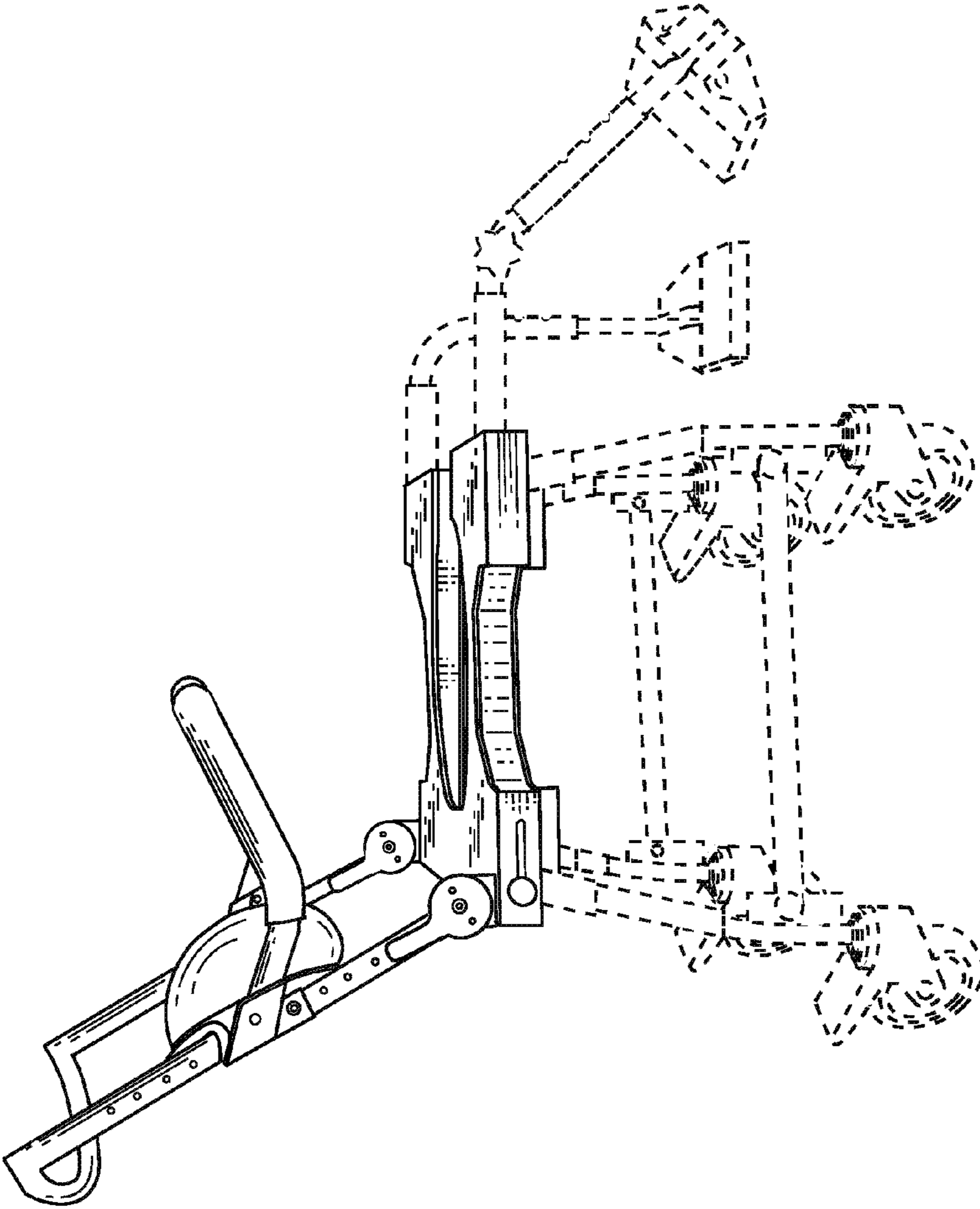


FIG. 5

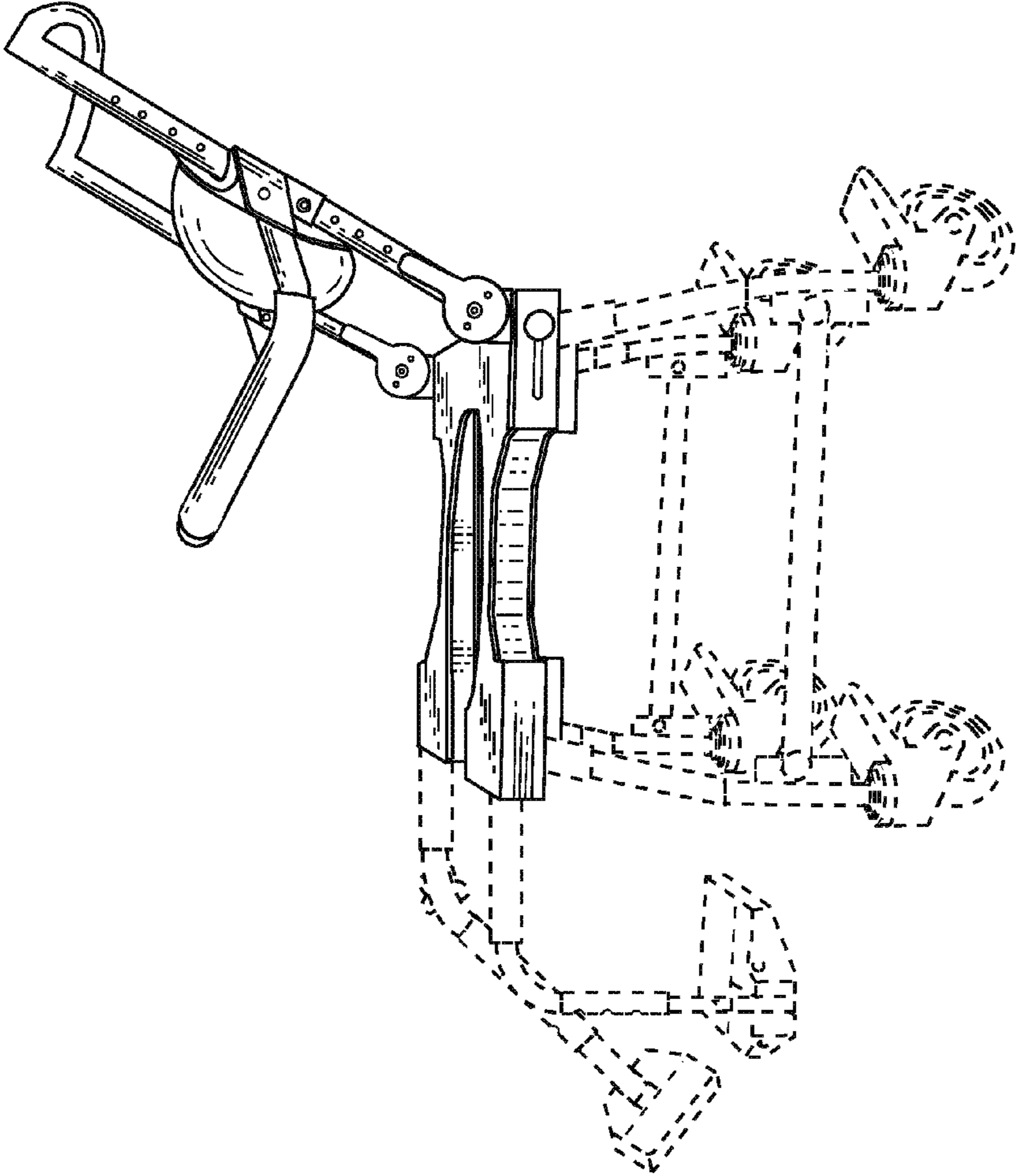


FIG. 6

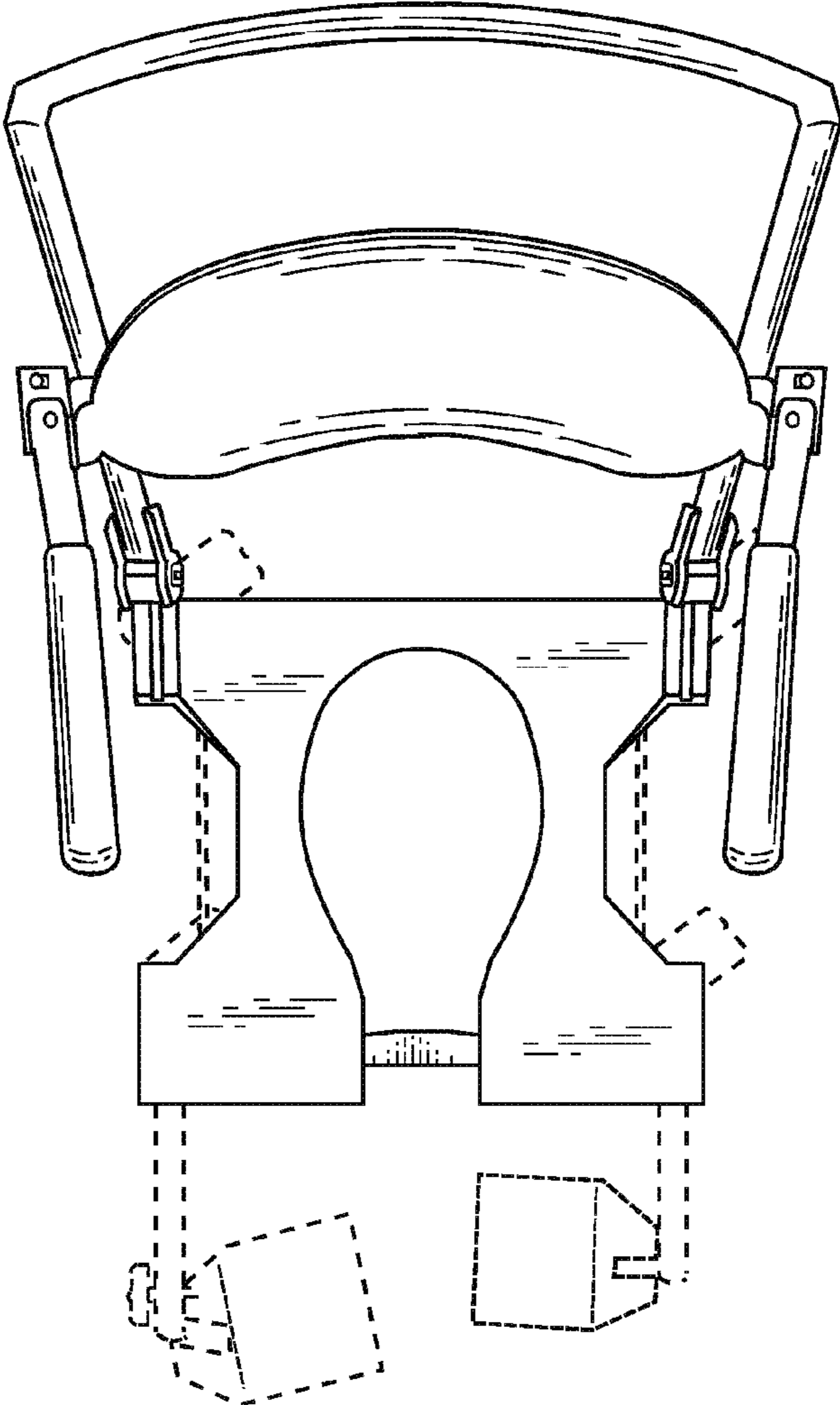


FIG. 7

