



US00D674728S

(12) **United States Design Patent**
Matsumura

(10) **Patent No.:** **US D674,728 S**
(45) **Date of Patent:** **** Jan. 22, 2013**

- (54) **ATV**
- (75) **Inventor:** **Norikazu Matsumura**, Akashi (JP)
- (73) **Assignee:** **Kawasaki Jukogyo Kabushiki Kaisha**, Hyogo (JP)
- (**) **Term:** **14 Years**
- (21) **Appl. No.:** **29/403,122**
- (22) **Filed:** **Sep. 30, 2011**
- (51) **LOC (9) Cl.** **12-11**
- (52) **U.S. Cl.** **D12/107**
- (58) **Field of Classification Search** D12/107,
D12/3, 86, 87, 110; 180/223, 225, 233, 229,
180/311, 312, 315
See application file for complete search history.

- D585,792 S * 2/2009 Chao et al. D12/107
- D620,399 S * 7/2010 Wu et al. D12/107
- D657,721 S * 4/2012 Miyanishi D12/107

* cited by examiner

Primary Examiner — Philip S Hyder
Assistant Examiner — Linda G. Brooks

(57) **CLAIM**
The ornamental design for an ATV, as shown and described.

DESCRIPTION

FIG. 1 is a front elevational view of an ATV showing my new design;
FIG. 2 is a rear elevational view thereof;
FIG. 3 is a left side elevational view thereof;
FIG. 4 is a right side elevational view thereof;
FIG. 5 is a top plan view thereof;
FIG. 6 is a front left perspective view thereof;
FIG. 7 is a rear left perspective view thereof;
FIG. 8 is a front right perspective view thereof; and,
FIG. 9 is a rear right perspective view thereof.

(56) **References Cited**

U.S. PATENT DOCUMENTS

- D520,912 S * 5/2006 Knight et al. D12/107
- D584,661 S * 1/2009 Tanaka et al. D12/107

1 Claim, 9 Drawing Sheets

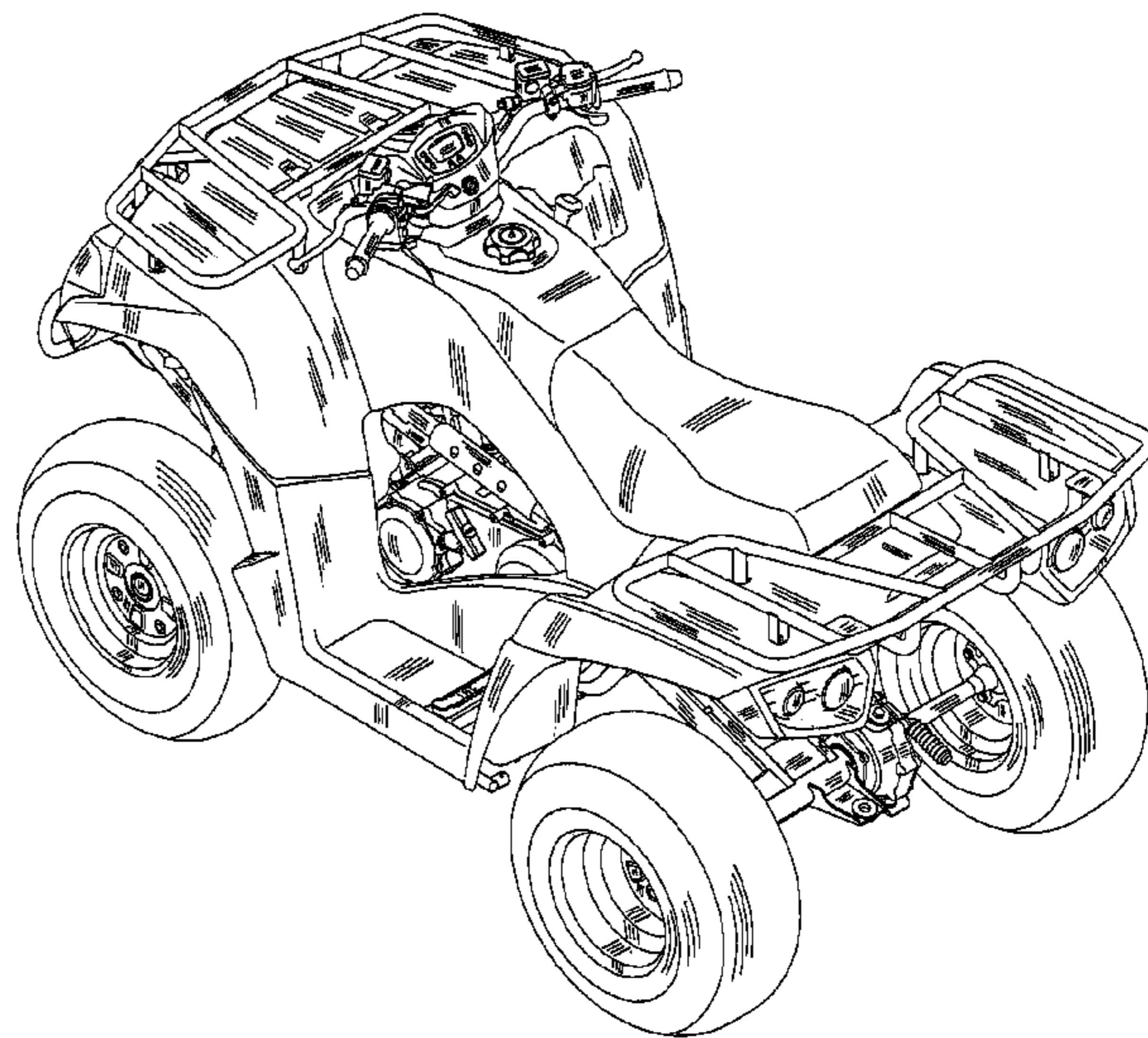
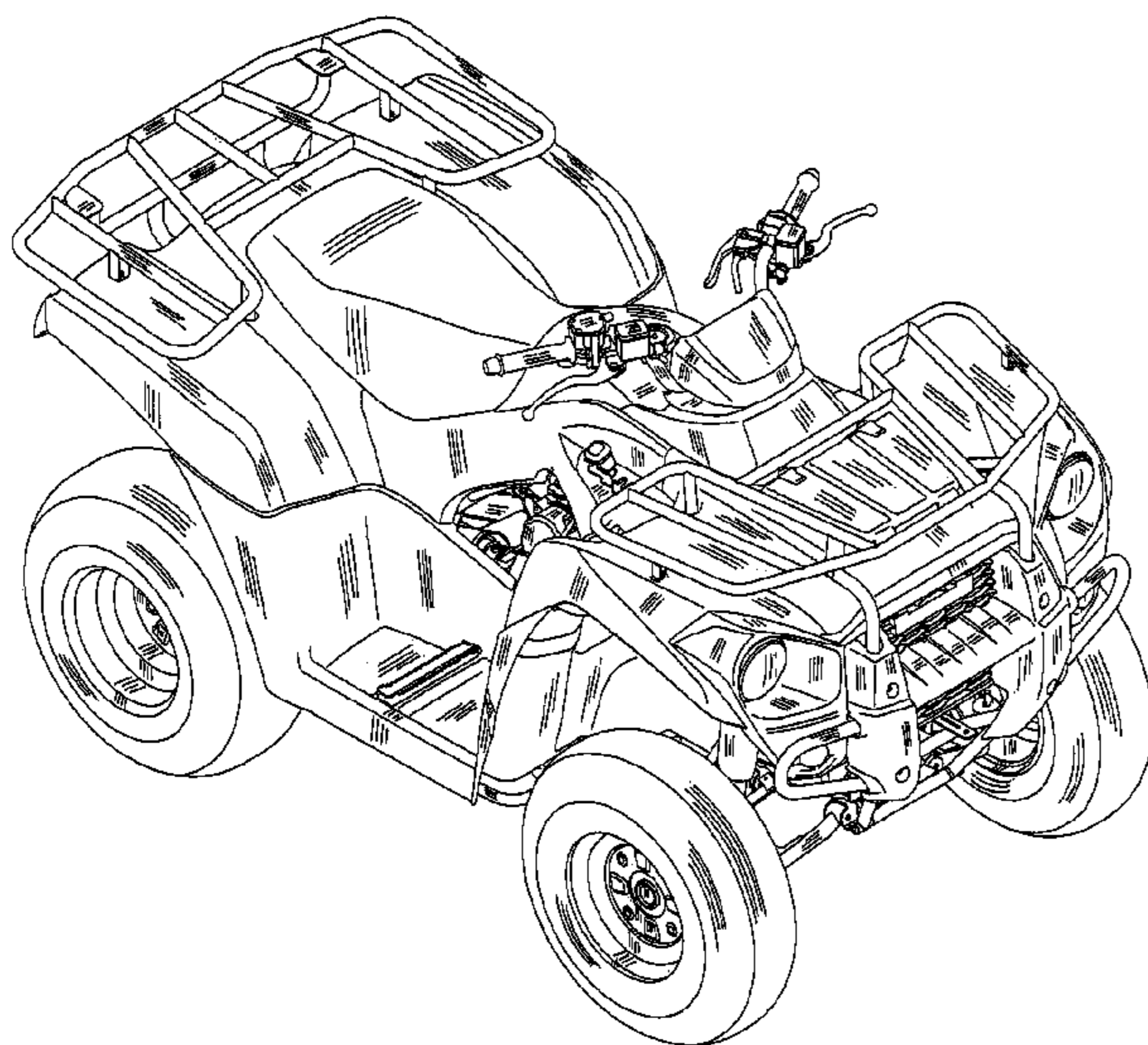


Fig. 1

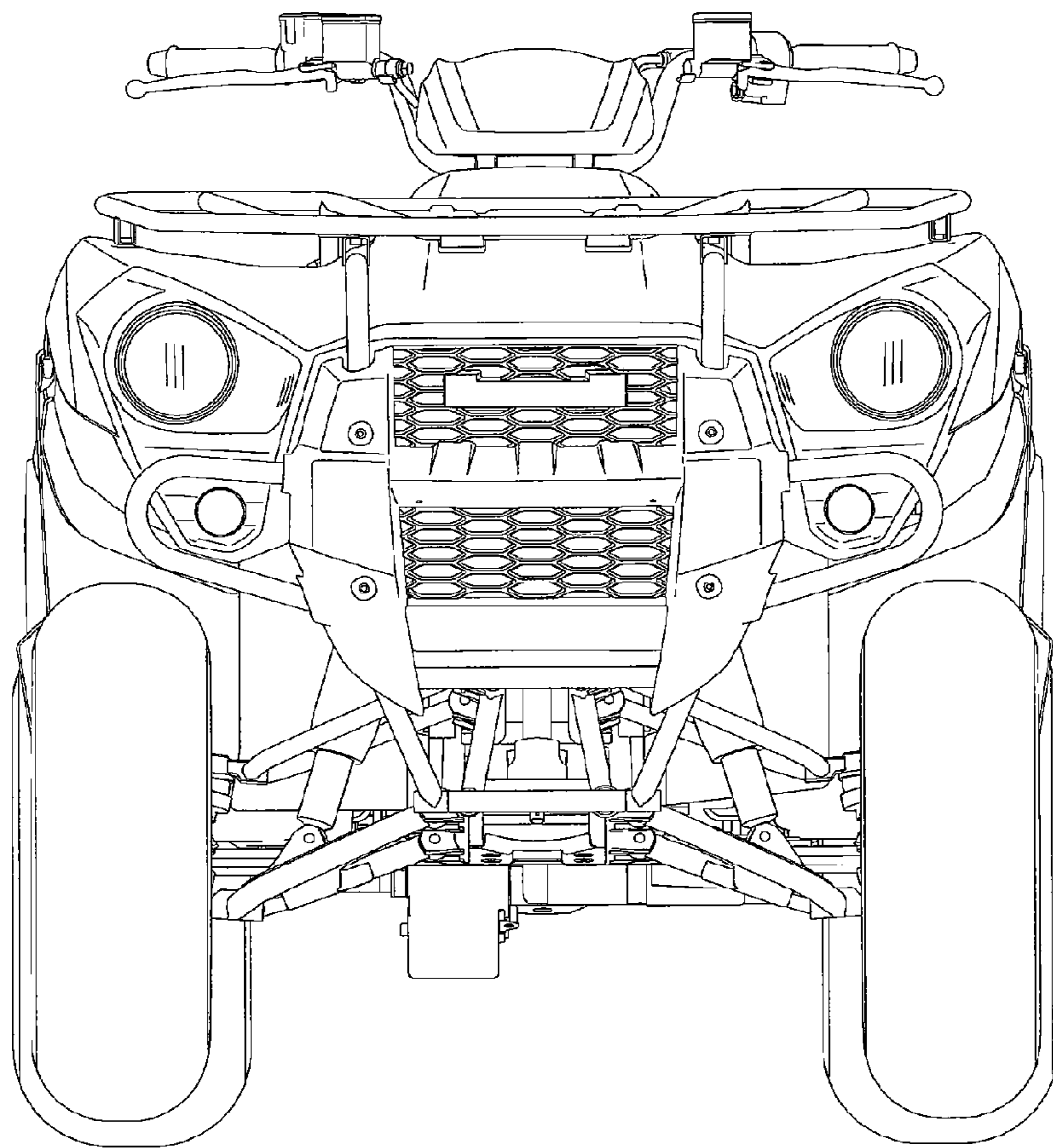
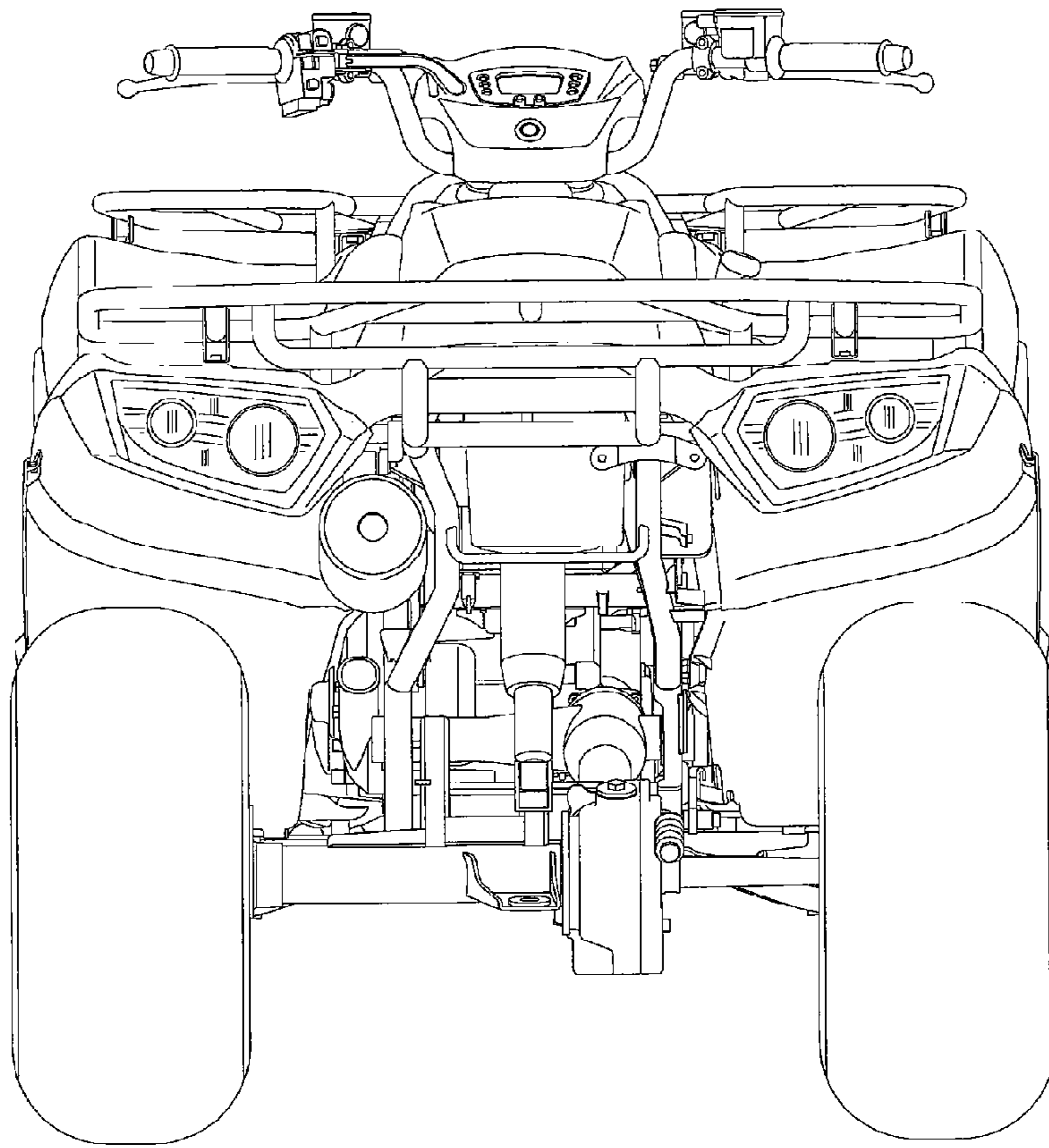


Fig. 2



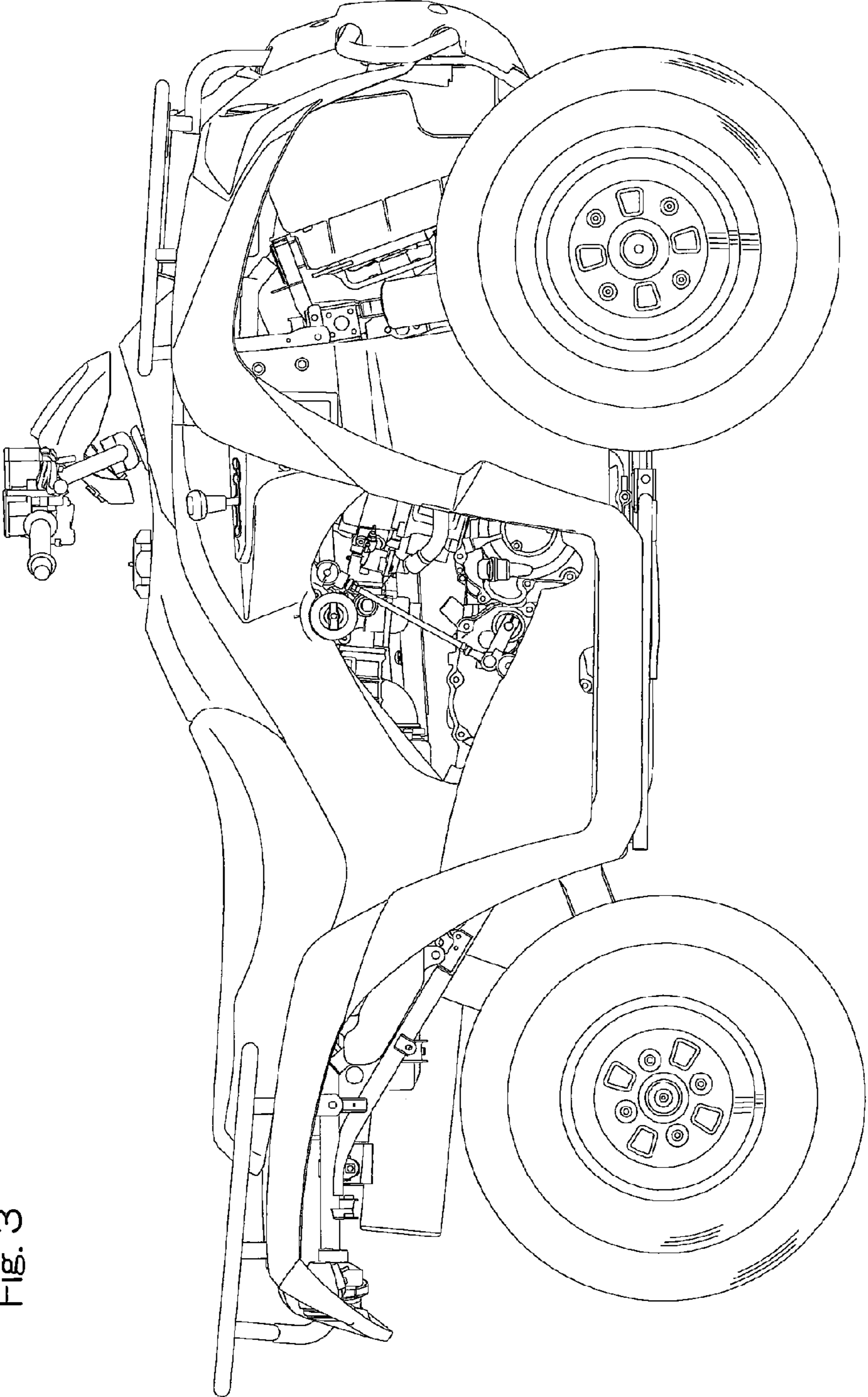


Fig. 3

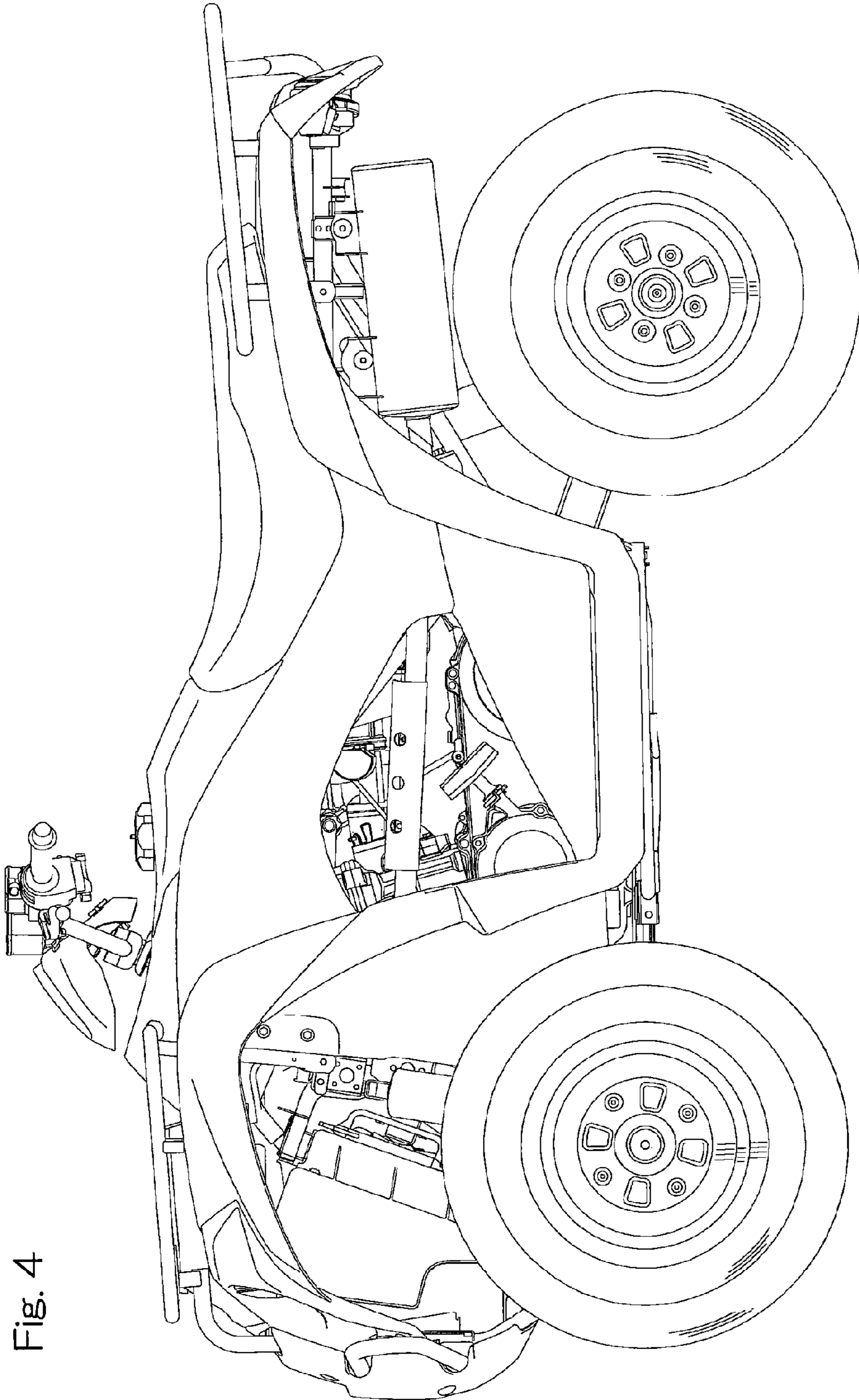
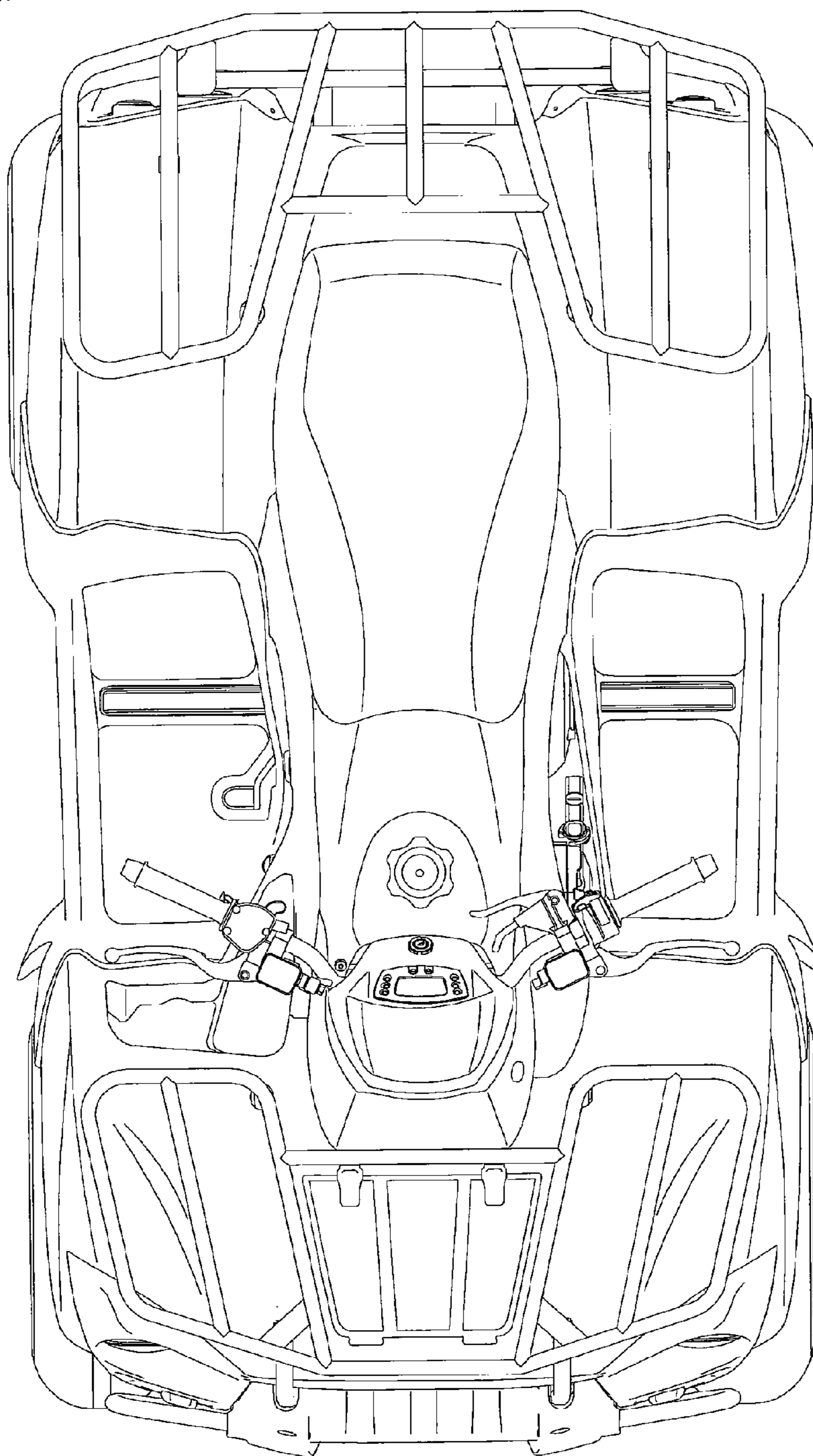


Fig. 4

Fig. 5



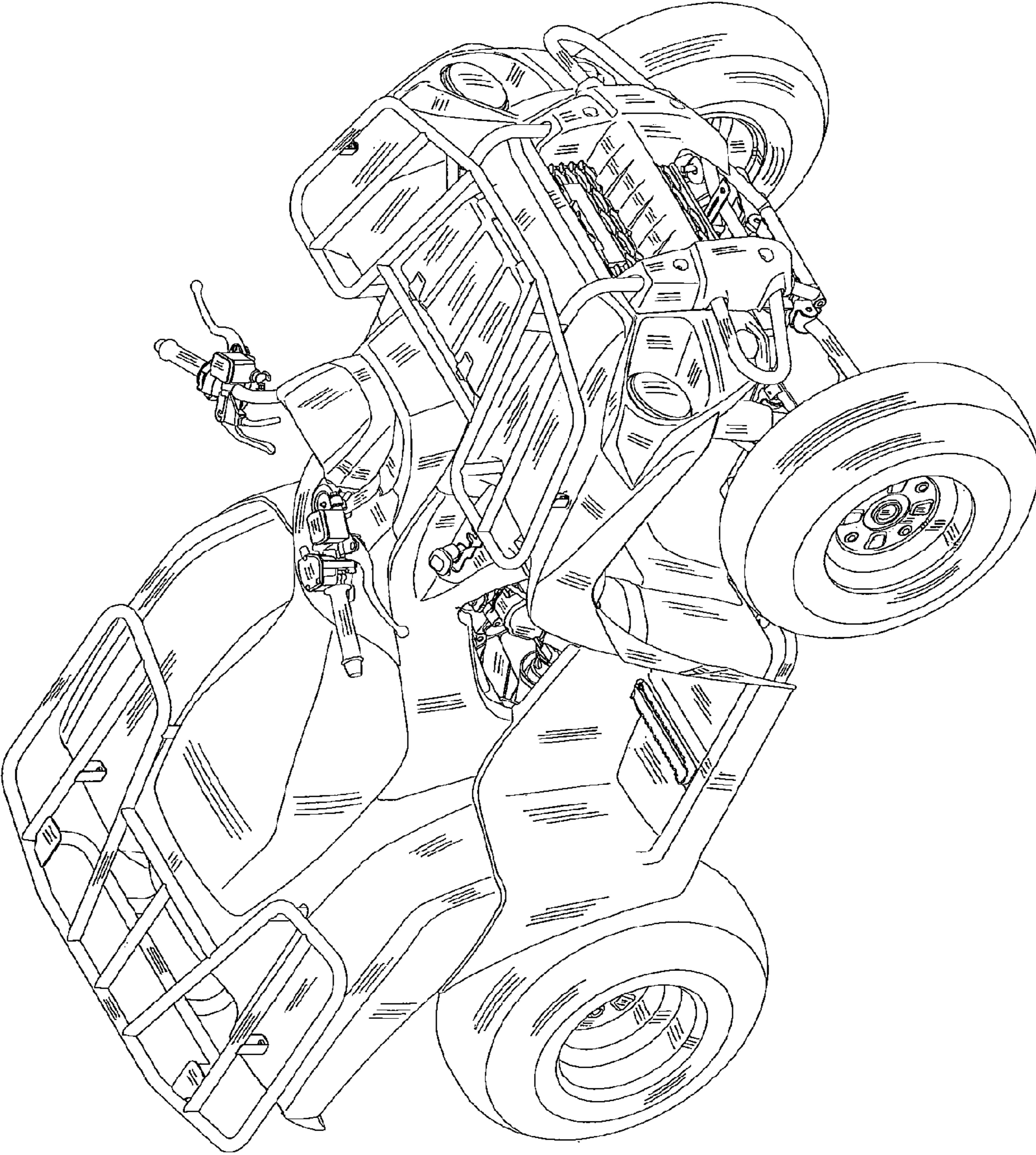


Fig. 6

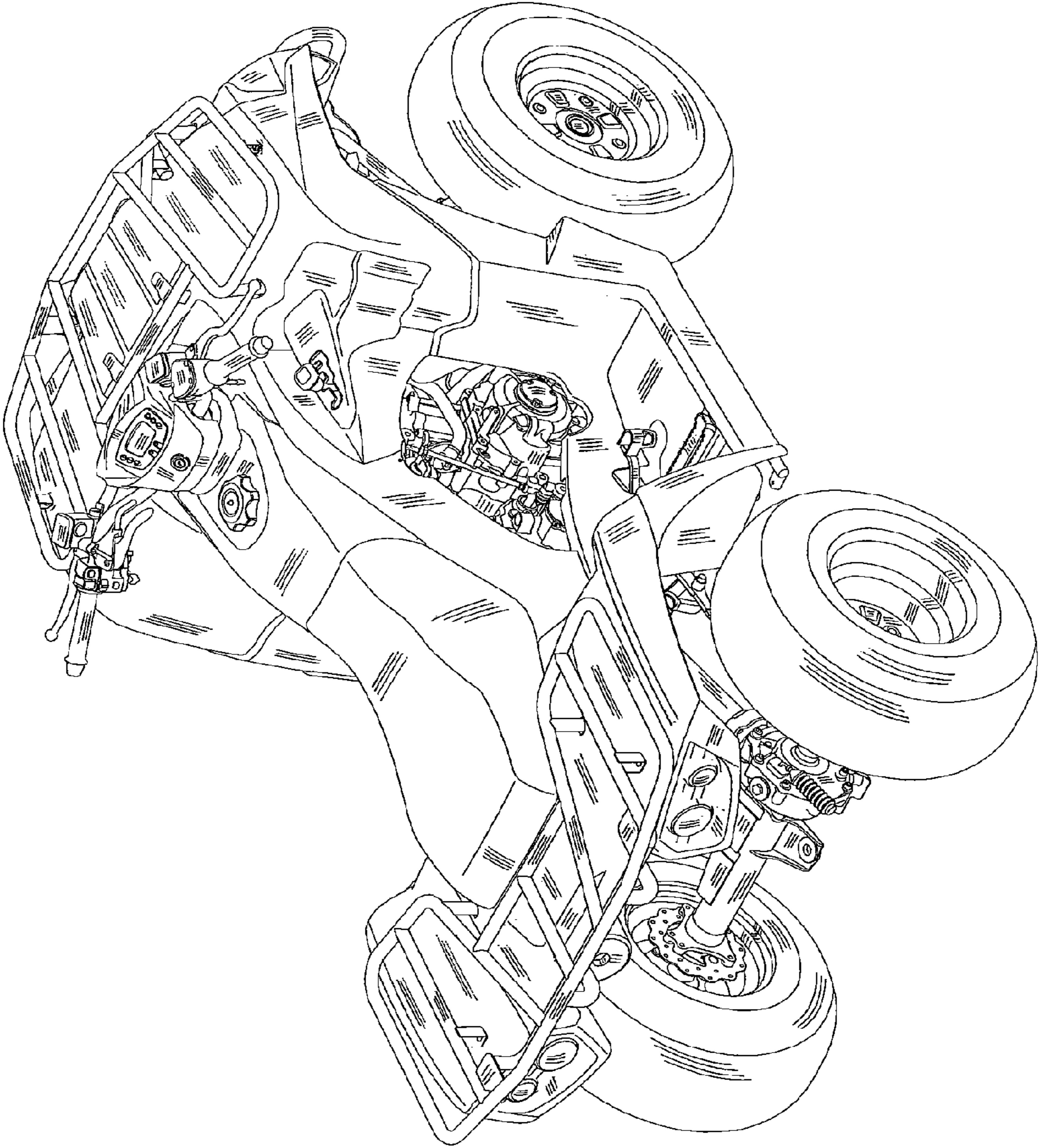


Fig. 7

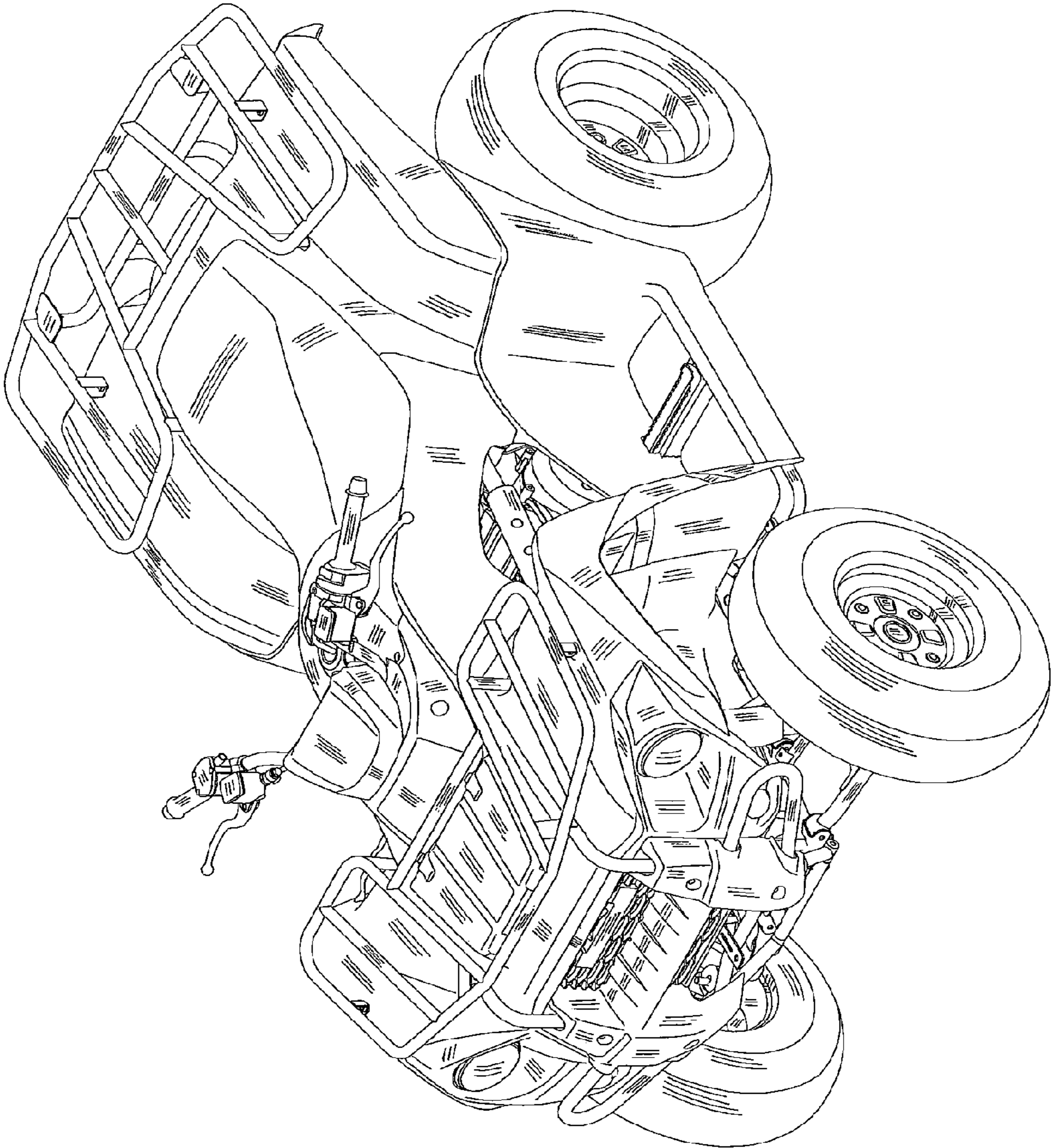


Fig. 8

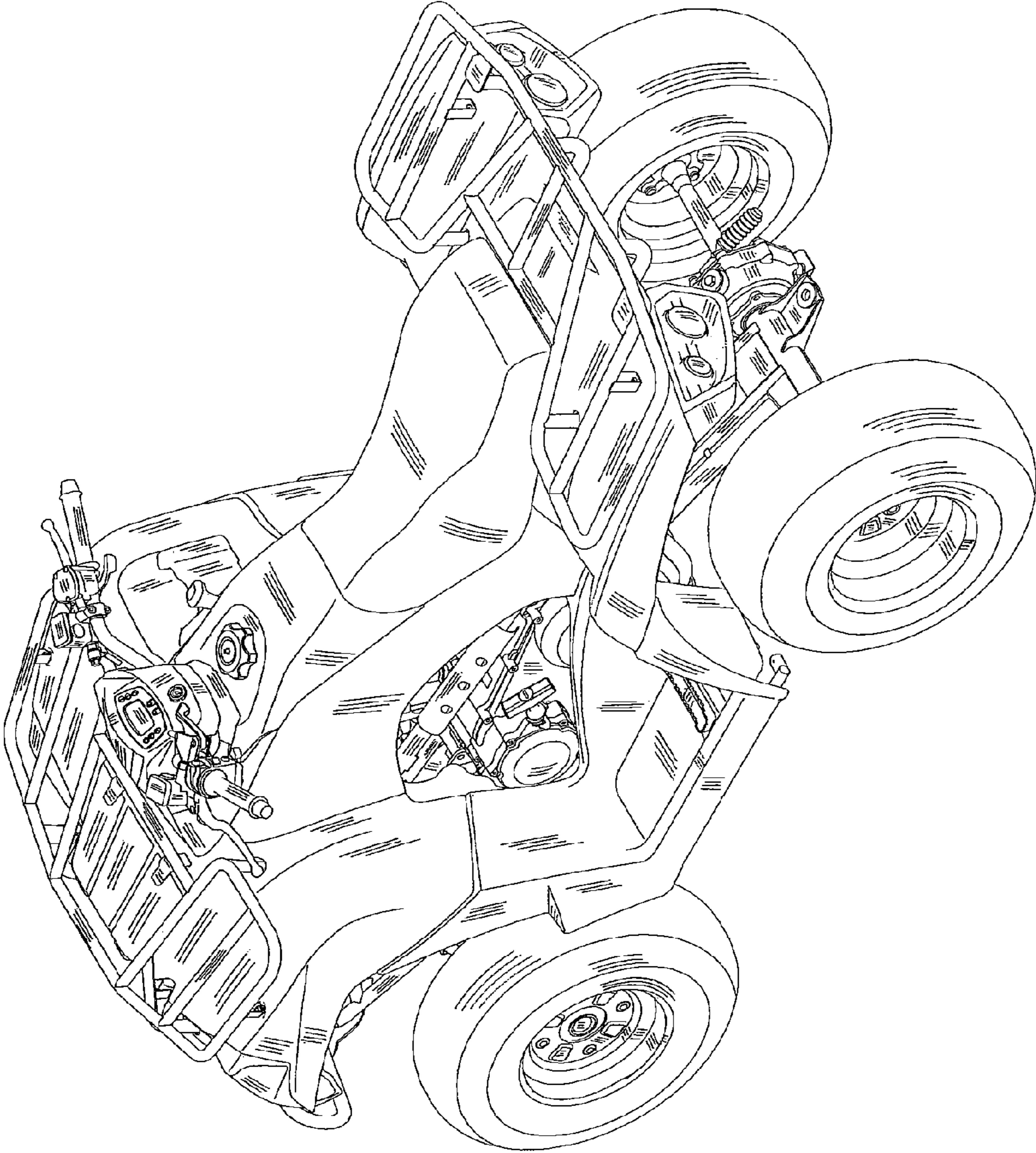


Fig. 9