



US00D674727S

(12) **United States Design Patent**  
**Karras et al.**

(10) **Patent No.:** **US D674,727 S**  
(45) **Date of Patent:** **\*\* \*Jan. 22, 2013**

(54) **VEHICLE BODY**

(75) Inventors: **Panayiotis J. Karras**, Ferndale, MI  
(US); **Hoon S. Kim**, Rochester Hills, MI  
(US); **Robert Hunwick**, Grosse Pointe  
Woods, MI (US)

(73) Assignee: **GM Global Technology Operations,  
LLC**, Detroit, MI (US)

(\*) Notice: This patent is subject to a terminal disclaimer.

(\*\*) Term: **14 Years**

(21) Appl. No.: **29/376,365**

(22) Filed: **Oct. 6, 2010**

(51) **LOC (9) Cl.** ..... **12-08**

(52) **U.S. Cl.** ..... **D12/92**

(58) **Field of Classification Search** ..... D12/86,  
D12/90-92, 88; D21/424, 433, 434; 296/181.1,  
296/181.5

See application file for complete search history.

(56) **References Cited**

U.S. PATENT DOCUMENTS

D605,082 S \* 12/2009 Munson ..... D12/86  
D605,083 S \* 12/2009 Manoogian et al. .... D12/86  
D623,090 S \* 9/2010 Cox et al. .... D12/92

\* cited by examiner

*Primary Examiner* — Melody N Brown

(74) *Attorney, Agent, or Firm* — Mickki Murray; Parks IP  
Law, LLC

(57) **CLAIM**

The ornamental design for a vehicle body, as shown and described.

**DESCRIPTION**

FIG. 1 is front perspective view of a vehicle body showing the new design;

FIG. 2 is a front view, thereof;

FIG. 3 is side view, thereof;

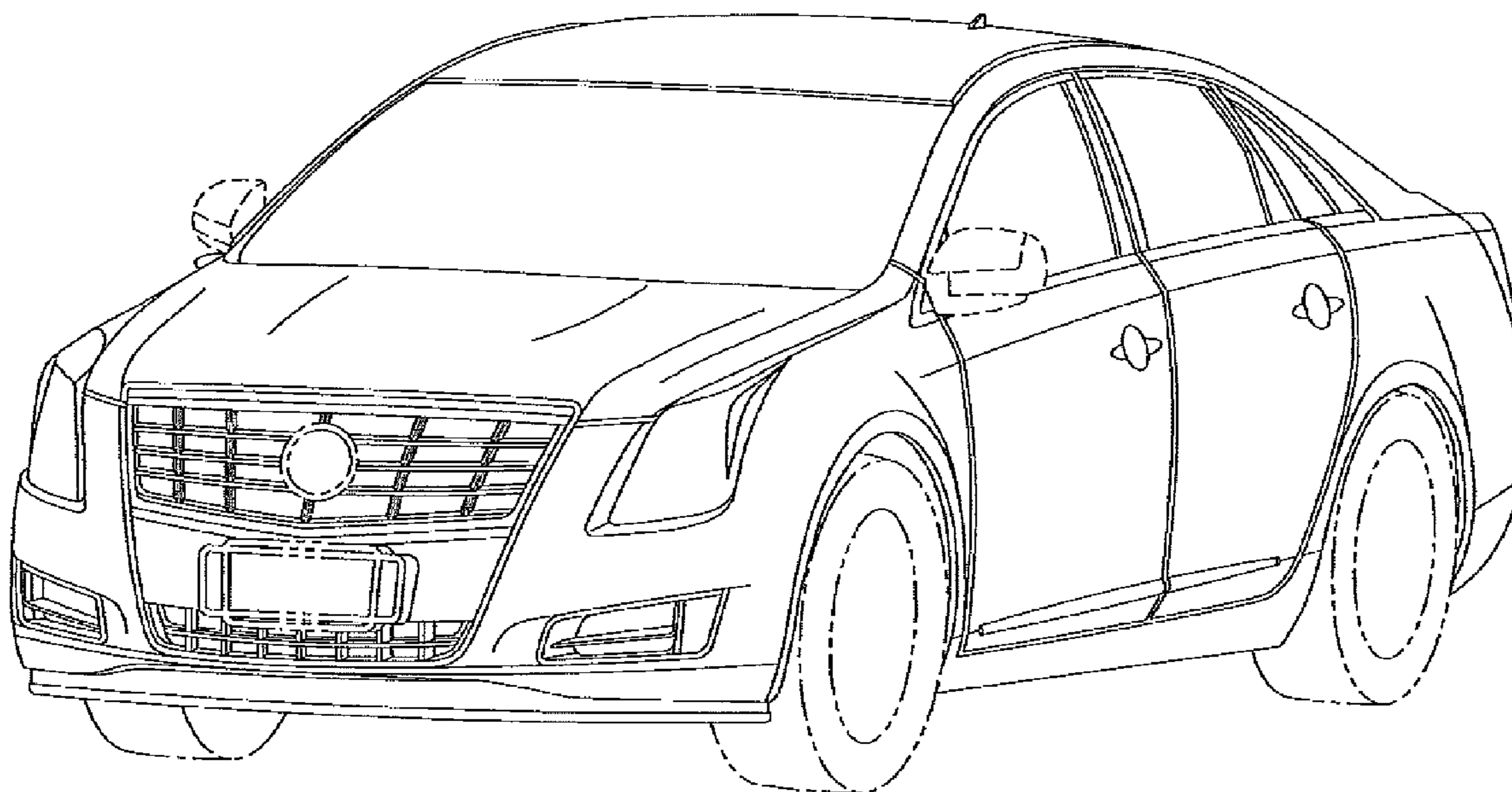
FIG. 4 is top view, thereof;

FIG. 5 is rear perspective view, thereof; and,

FIG. 6 is a rear view, thereof.

In the figures, features shown by broken lines are for illustrative purposes only and form no part of the claimed design.

**1 Claim, 6 Drawing Sheets**



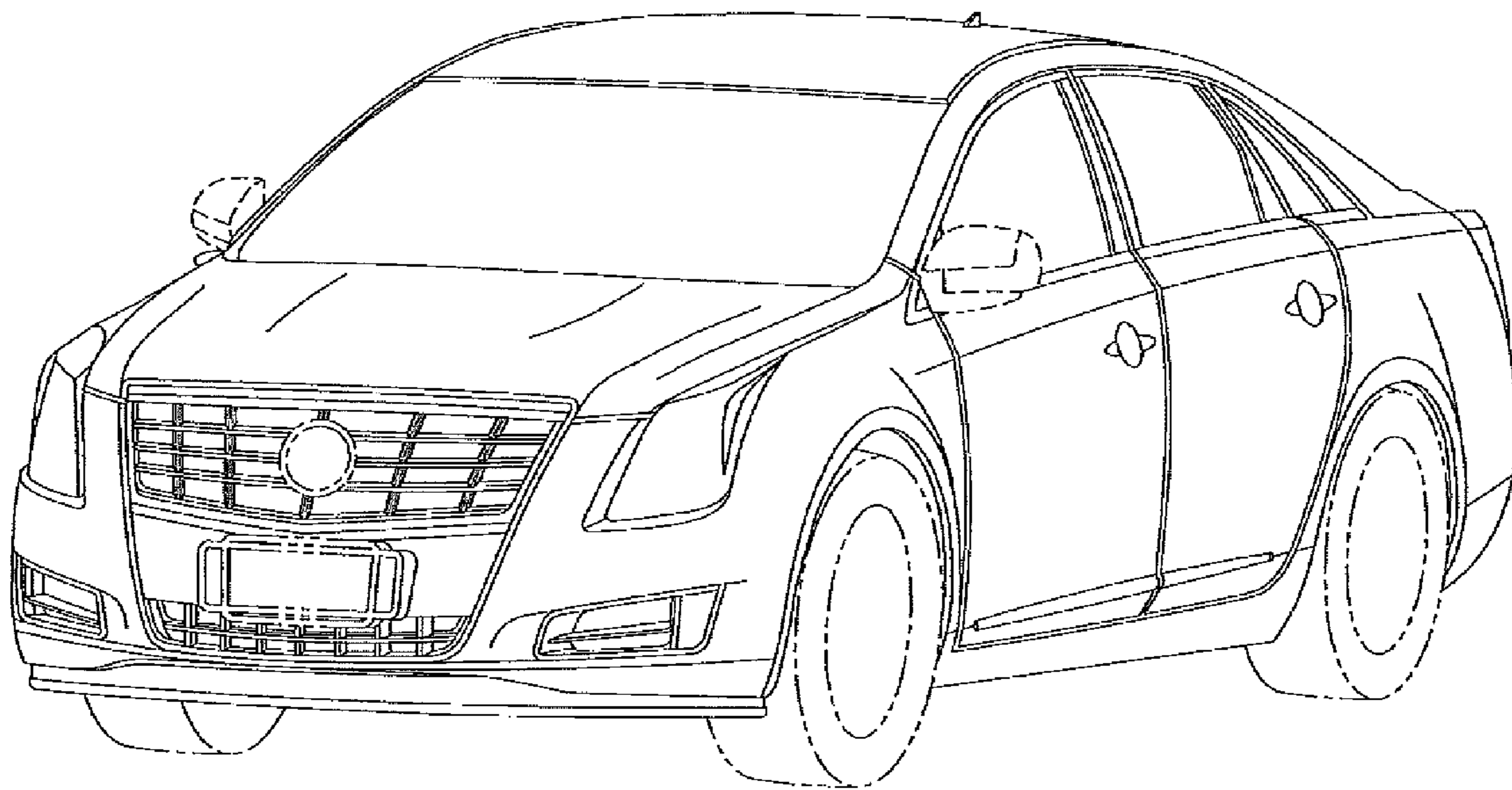


Fig-1

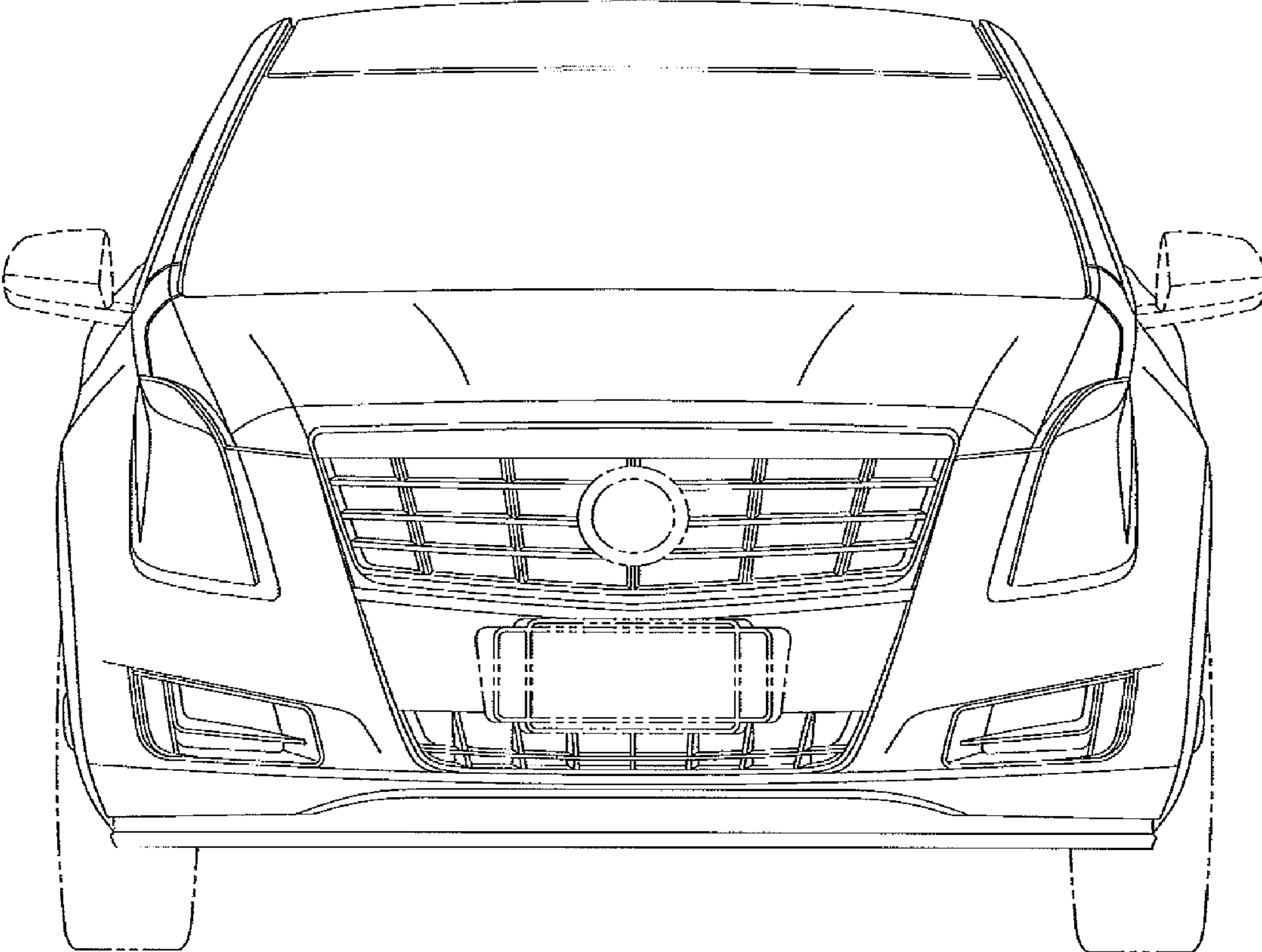


Fig-2

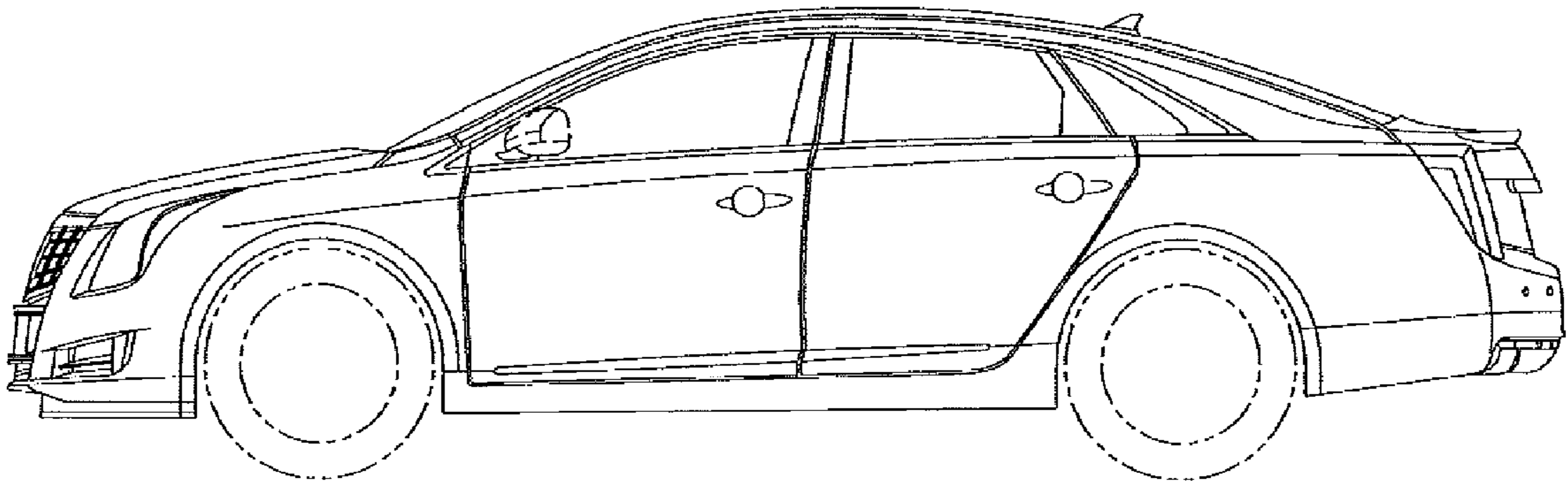


Fig-3

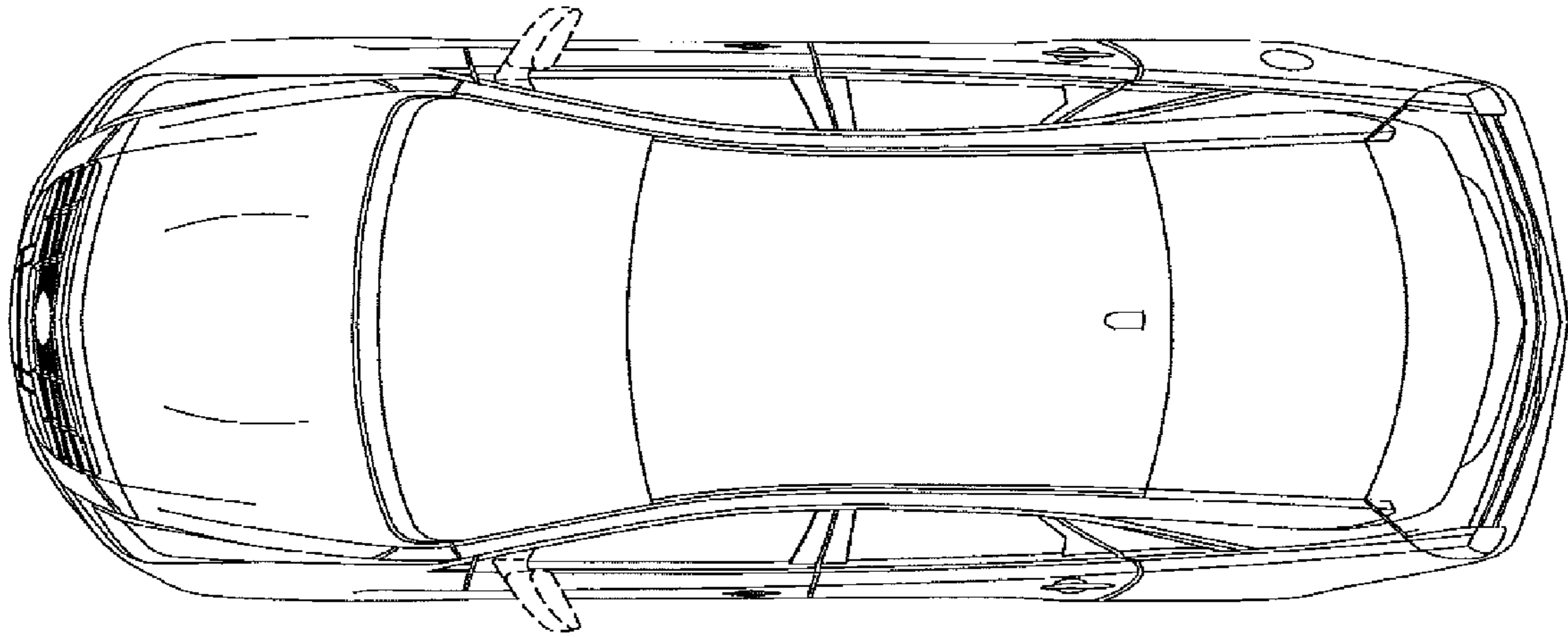


Fig-4

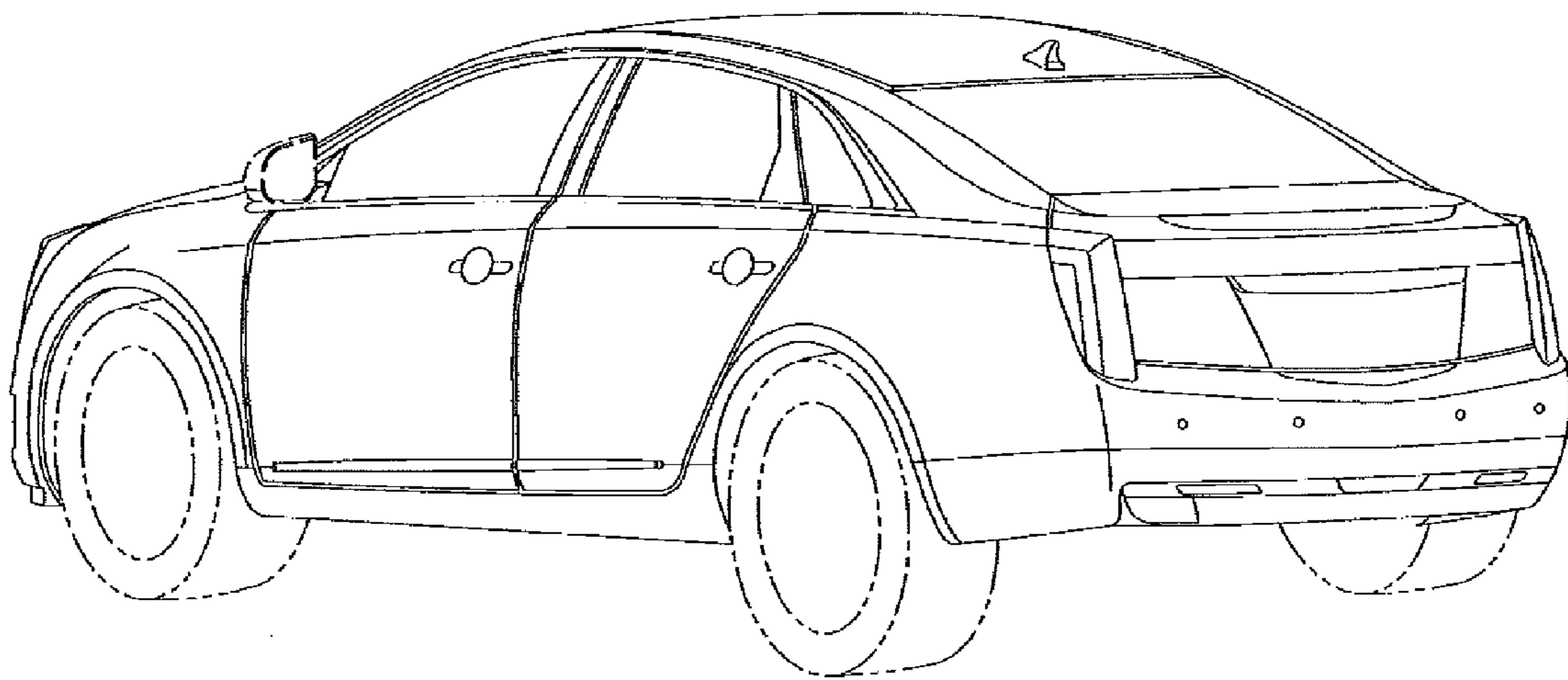


Fig-5

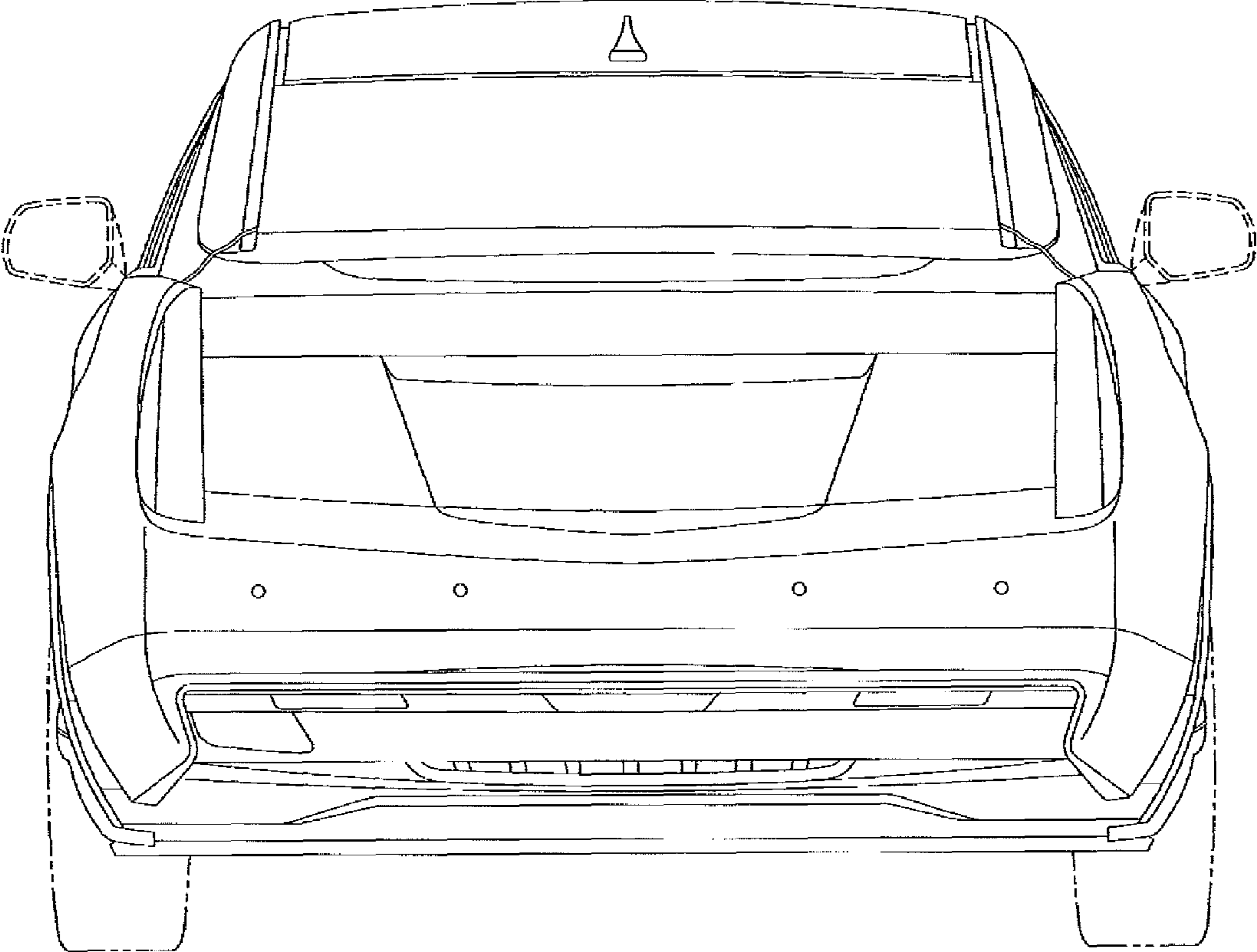


Fig-6