



US00D674726S

(12) **United States Design Patent**
Yamada et al.

(10) **Patent No.:** **US D674,726 S**
(45) **Date of Patent:** **** Jan. 22, 2013**

(54) **AUTOMOBILE AND/OR TOY REPLICA THEREOF**

D647,004 S * 10/2011 Nemoto D12/91
D657,715 S * 4/2012 Hakamata et al. D12/91
D666,945 S * 9/2012 Ogawa et al. D12/91

(75) Inventors: **Masayuki Yamada**, Aichi-ken (JP);
Takahiro Minami, Kanagawa-ken (JP);
Junichi Toura, Shizuoka-ken (JP);
Noriyuki Nakamura, Shizuoka-ken (JP)

OTHER PUBLICATIONS

BMW 3-Series; www.weblio.jp/; Dec. 22, 2010.
Citroen C5 Estate, Dec. 22, 2010.

(73) Assignee: **Toyota Jidosha Kabushiki Kaisha**,
Toyota-shi (JP)

* cited by examiner

(**) Term: **14 Years**

Primary Examiner — Melody N Brown

(74) *Attorney, Agent, or Firm* — Finnegan, Henderson,
Farabow, Garrett & Dunner, LLP

(21) Appl. No.: **29/405,107**

(57) **CLAIM**

(22) Filed: **Oct. 28, 2011**

The ornamental design for an automobile and/or toy replica thereof, as shown and described.

(51) **LOC (9) Cl.** **12-08**

(52) **U.S. Cl.** **D12/91**

(58) **Field of Classification Search** D12/86,
D12/90–92, 88; D21/424, 433, 434; 296/181.1,
296/181.5

DESCRIPTION

See application file for complete search history.

FIG. 1 is a front perspective view of an automobile and/or toy replica thereof of our new design;
FIG. 2 is a rear perspective view thereof;
FIG. 3 is a front view thereof;
FIG. 4 is a rear view thereof;
FIG. 5 is a right side view thereof, the left side view being a mirror image thereof; and,
FIG. 6 is a top plan view thereof.

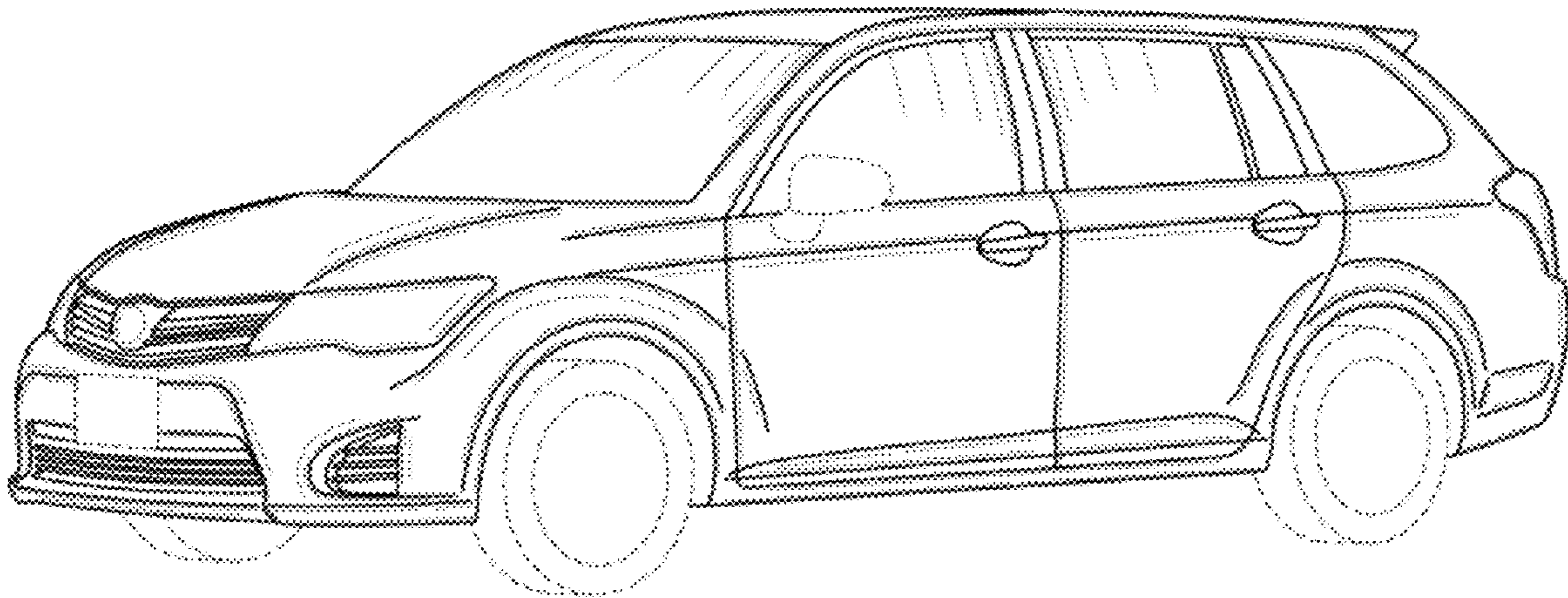
The bottom view of the automobile and toy replica forms no part of the claimed design. The broken lines depict environment, and the elements depicted in broken lines are not part of the claimed design.

(56) **References Cited**

U.S. PATENT DOCUMENTS

D476,269 S 6/2003 Suzuki et al.
D479,491 S 9/2003 Kato et al.
D481,332 S 10/2003 Miyazaki et al.
D597,446 S * 8/2009 Ikeda et al. D12/91
D604,670 S * 11/2009 Nagura et al. D12/91
D619,500 S * 7/2010 Hsu et al. D12/91
D630,554 S * 1/2011 Kim D12/91
D633,823 S * 3/2011 Matei et al. D12/91

1 Claim, 5 Drawing Sheets



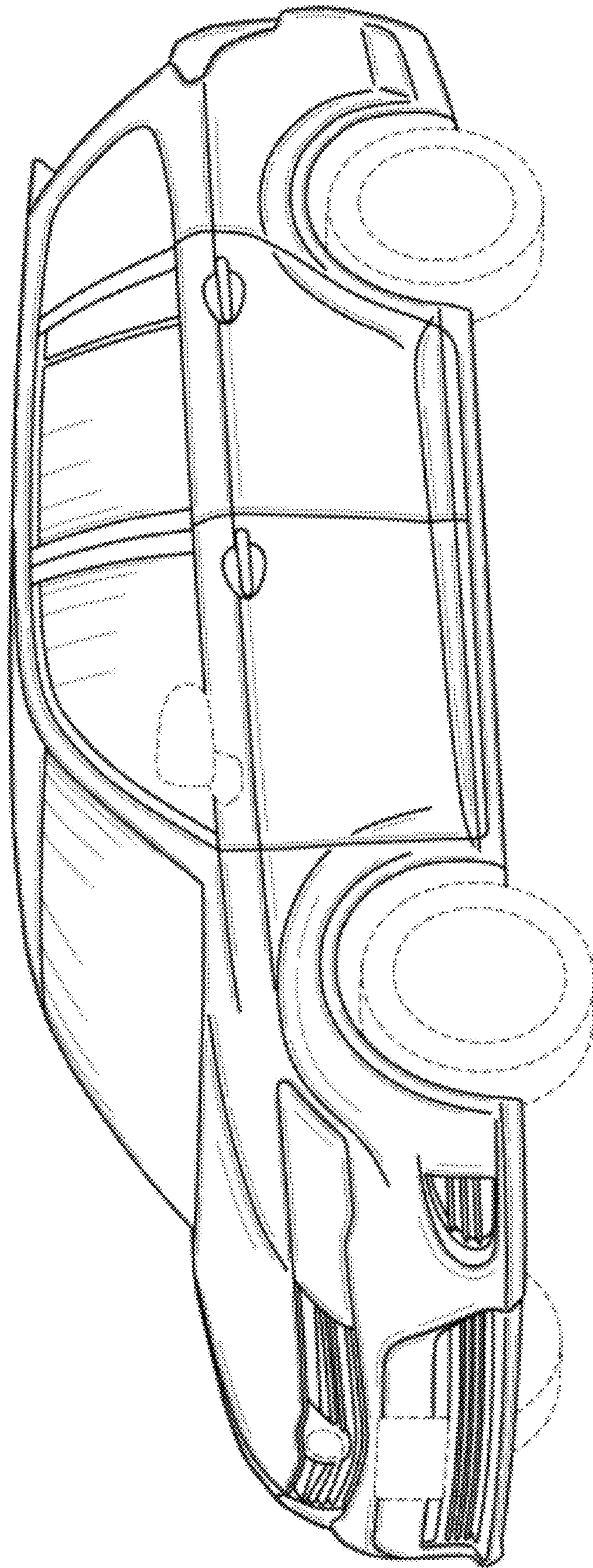


FIG. 1

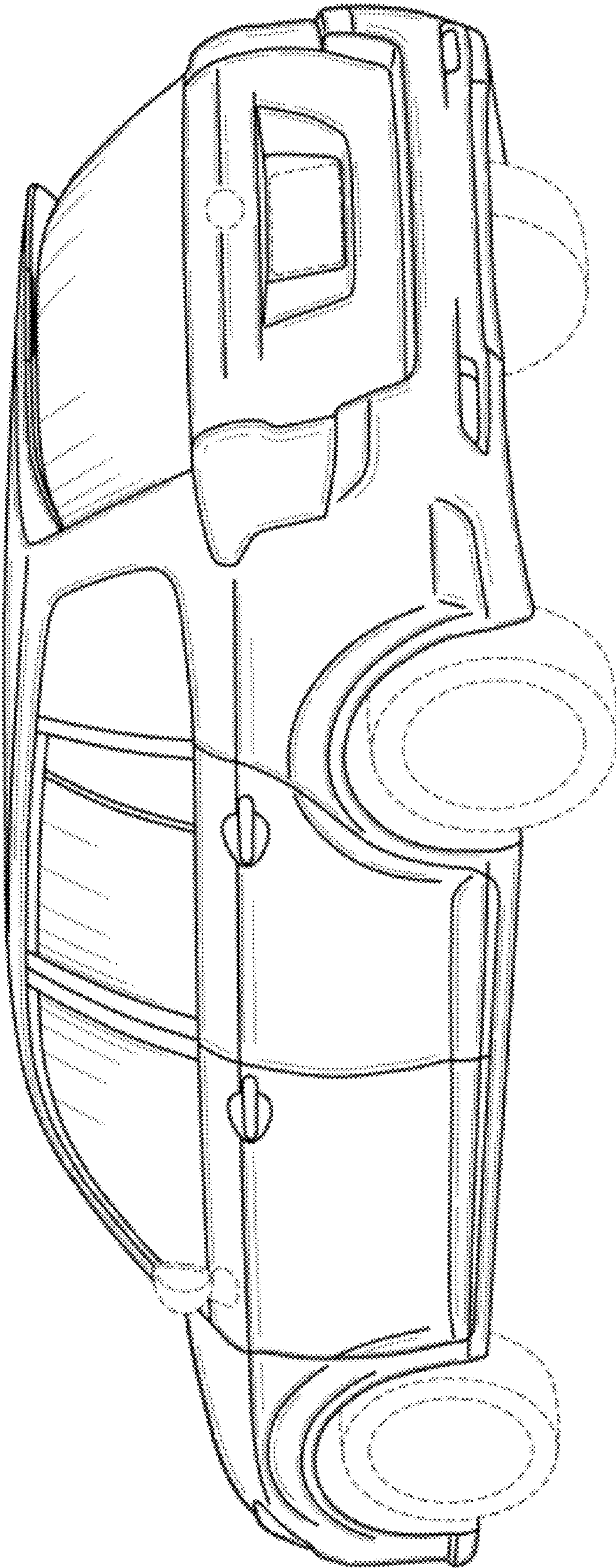


FIG. 2

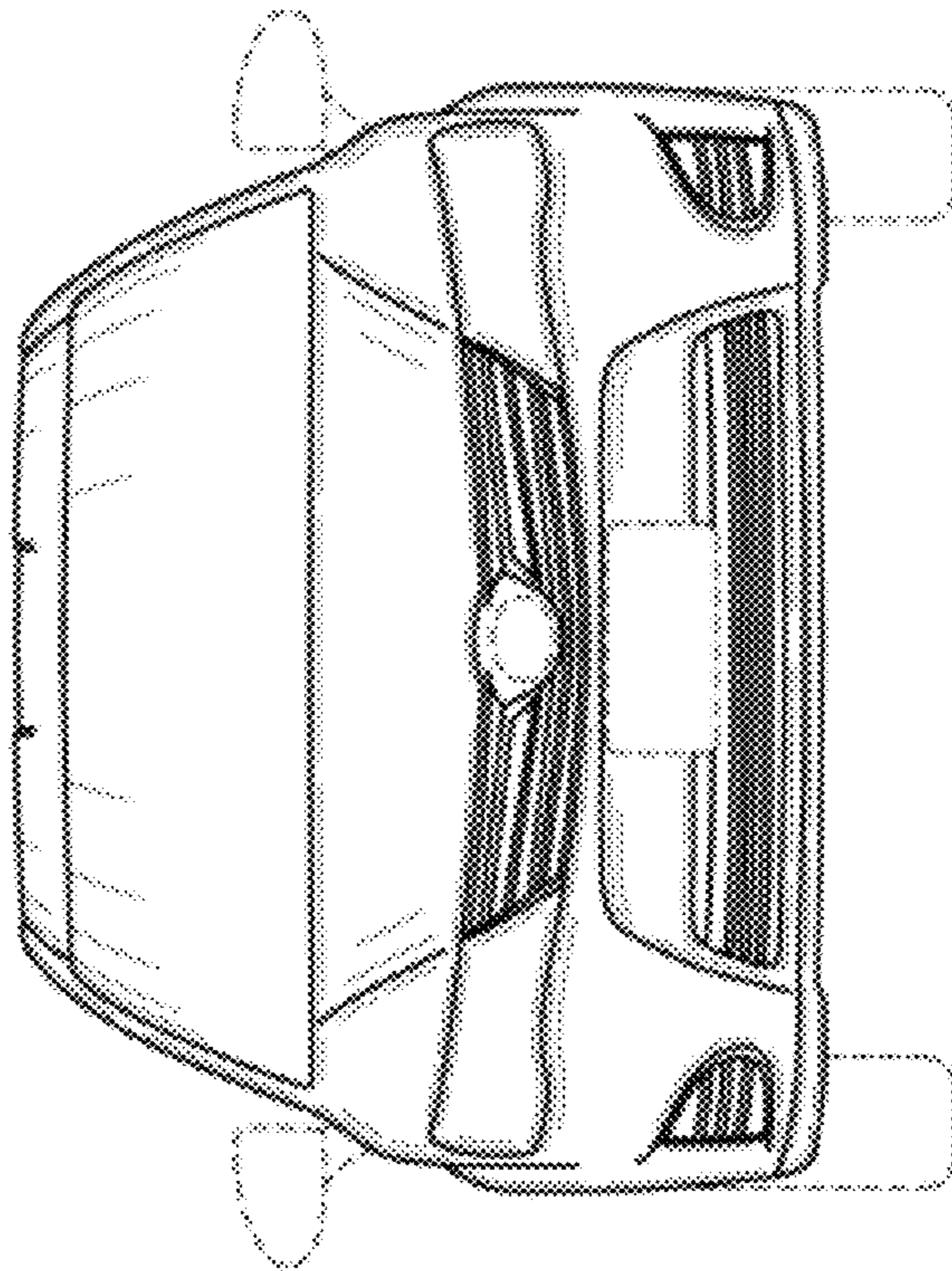


FIG. 3

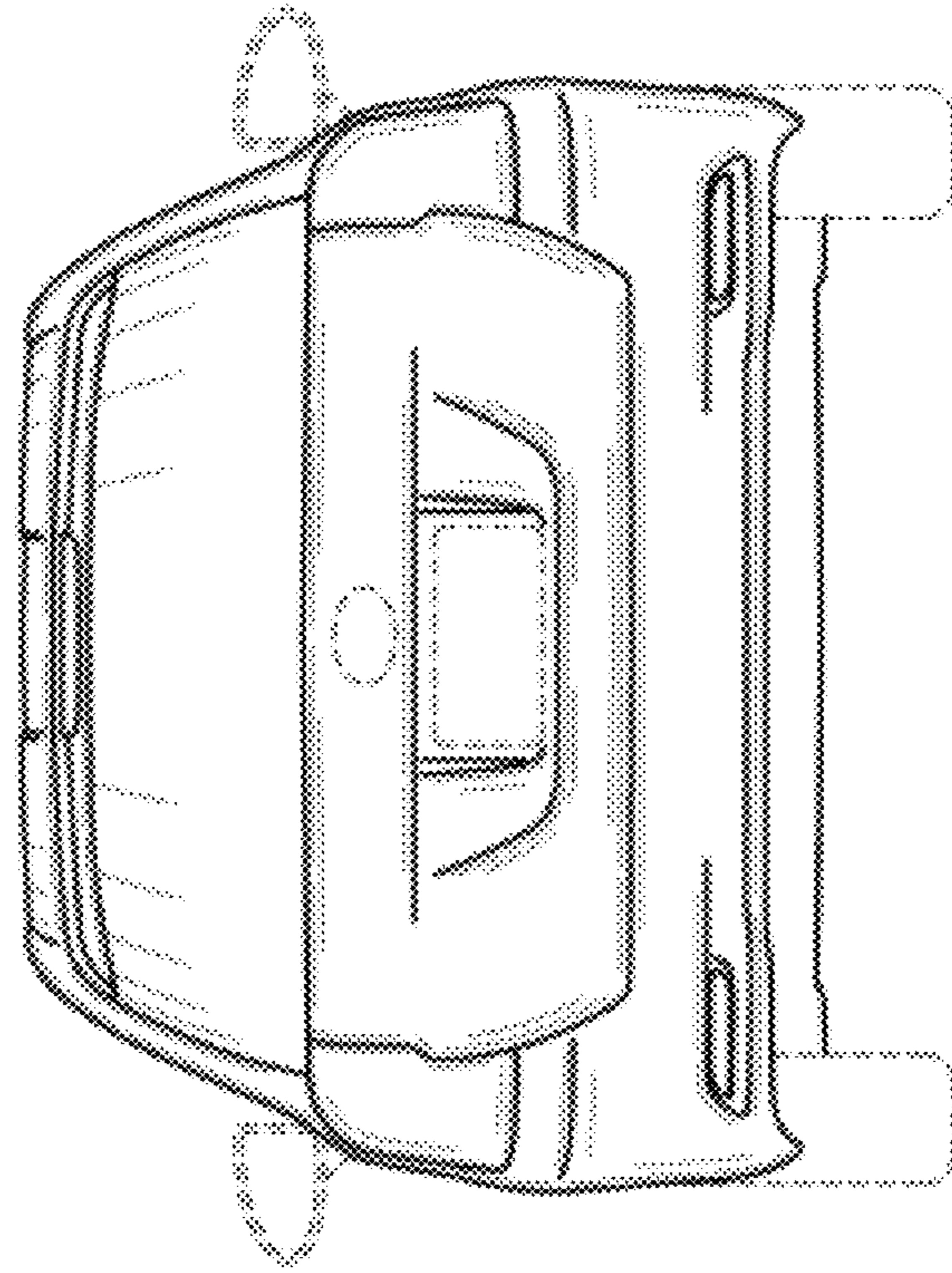


FIG. 4

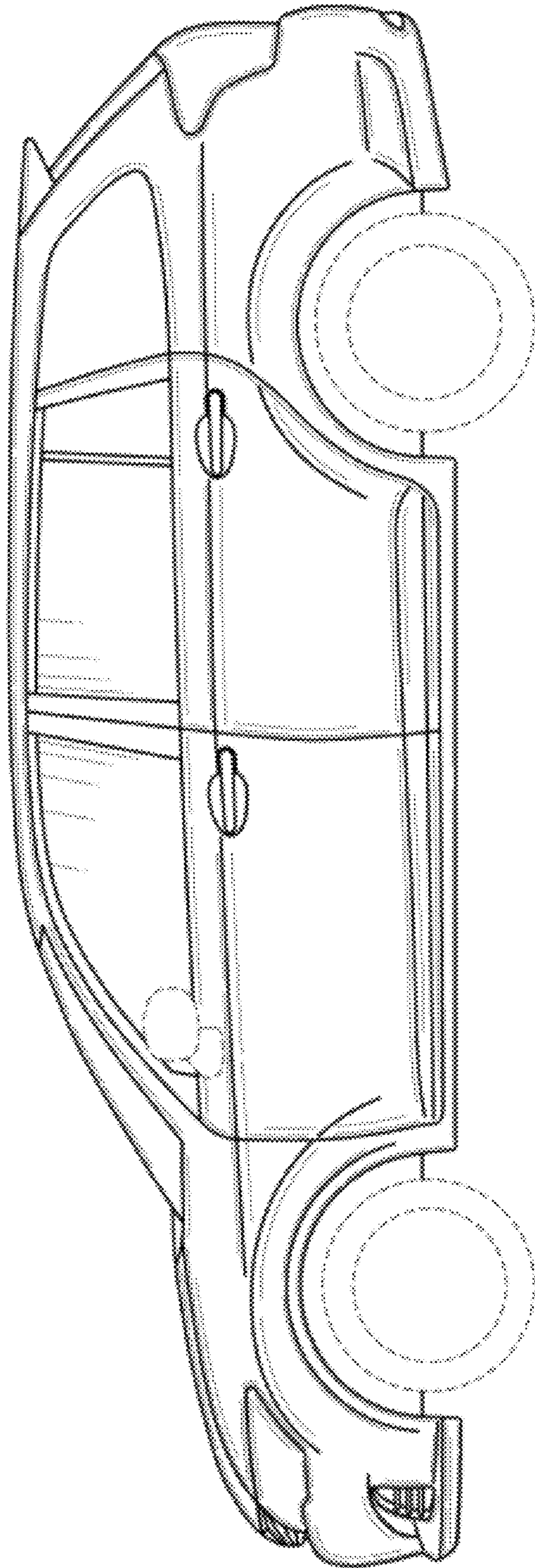


FIG. 5

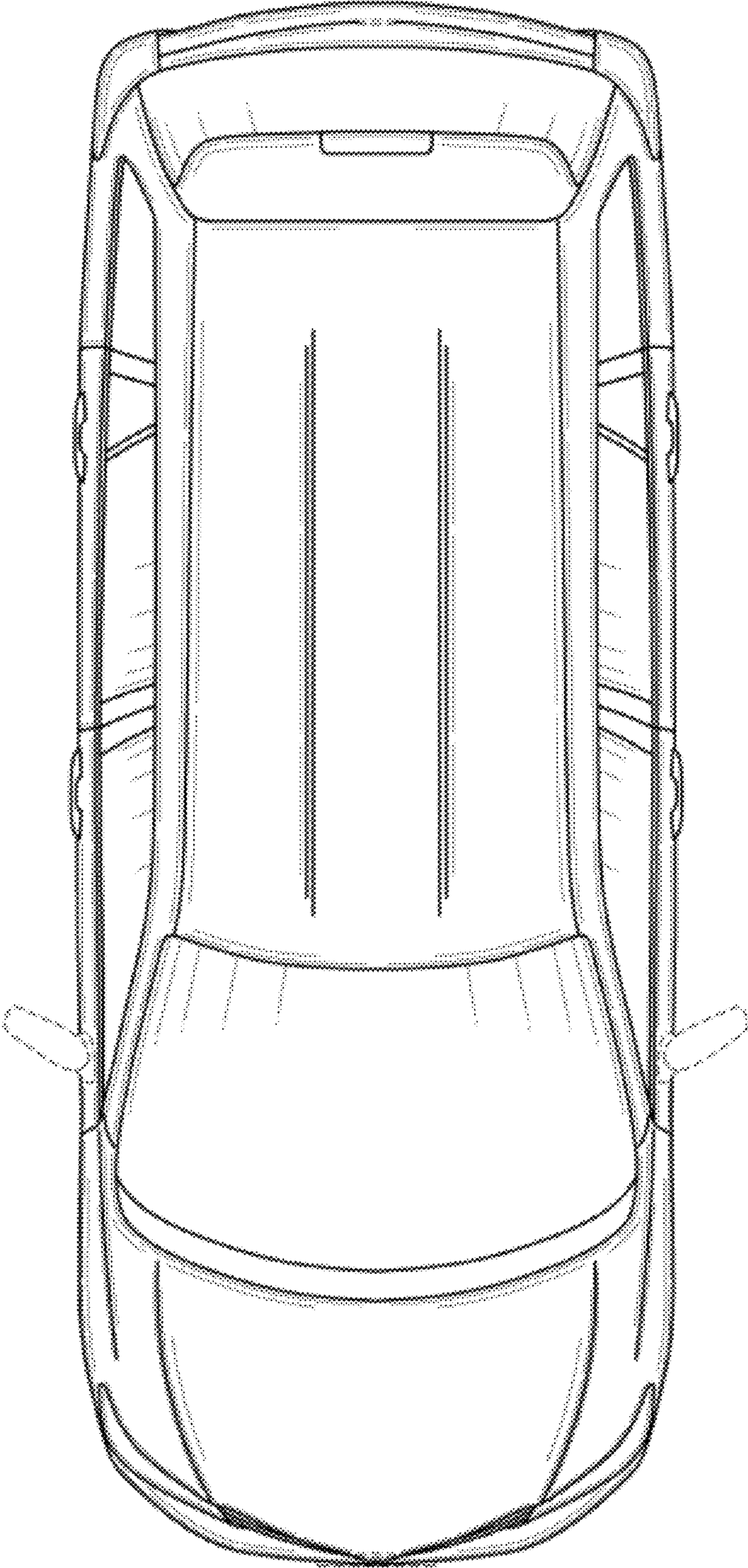


FIG. 6