



US00D674725S

(12) **United States Design Patent**  
**Leinard**

(10) **Patent No.:** **US D674,725 S**  
(45) **Date of Patent:** **\*\* Jan. 22, 2013**

(54) **WATERWHEEL DRIVEN MOVING YARD ORNAMENT**

D355,938 S \* 2/1995 Kino ..... D21/472  
D619,200 S \* 7/2010 Yousif ..... D23/200  
2006/0033341 A1\* 2/2006 Kaufman ..... 290/54

(76) Inventor: **Rodger E. Leinard**, Champaign, IL  
(US)

\* cited by examiner

(\*\*) Term: **14 Years**

*Primary Examiner* — T. Chase Nelson  
*Assistant Examiner* — Michelle E Wilson

(21) Appl. No.: **29/409,703**

(74) *Attorney, Agent, or Firm* — Okuley Smith LLC

(22) Filed: **Dec. 28, 2011**

(51) **LOC (9) Cl.** ..... **11-02**

(52) **U.S. Cl.** ..... **D11/160**

(58) **Field of Classification Search** ..... D11/157–160,  
D11/184; 446/330, 331, 340, 352, 354, 485;  
D30/12; 119/5; D21/59, 92, 114, 150  
See application file for complete search history.

(57) **CLAIM**

The ornamental design for a waterwheel driven moving yard ornament, as shown and described.

**DESCRIPTION**

FIG. 1 shows a front and side perspective view of a waterwheel driven moving yard ornament; FIG. 2 shows a left side view thereof; FIG. 3 shows a right side view thereof; FIG. 4 shows a front view thereof; FIG. 5 shows a rear view thereof; and, FIG. 6 shows a top view thereof.

The broken line showing of a wood cutting figure is included for the purpose of illustrating environment and forms no part of the claim design.

(56) **References Cited**

U.S. PATENT DOCUMENTS

1,635,978 A \* 7/1927 Ross ..... 446/358  
D81,232 S \* 5/1930 Goriup ..... D21/511  
2,026,913 A \* 1/1936 Riesz ..... 446/477  
D245,270 S \* 8/1977 Williams et al. .... D30/106  
D291,709 S \* 9/1987 Davis ..... D21/585  
5,049,080 A \* 9/1991 Kriebel et al. .... 434/300

**1 Claim, 3 Drawing Sheets**

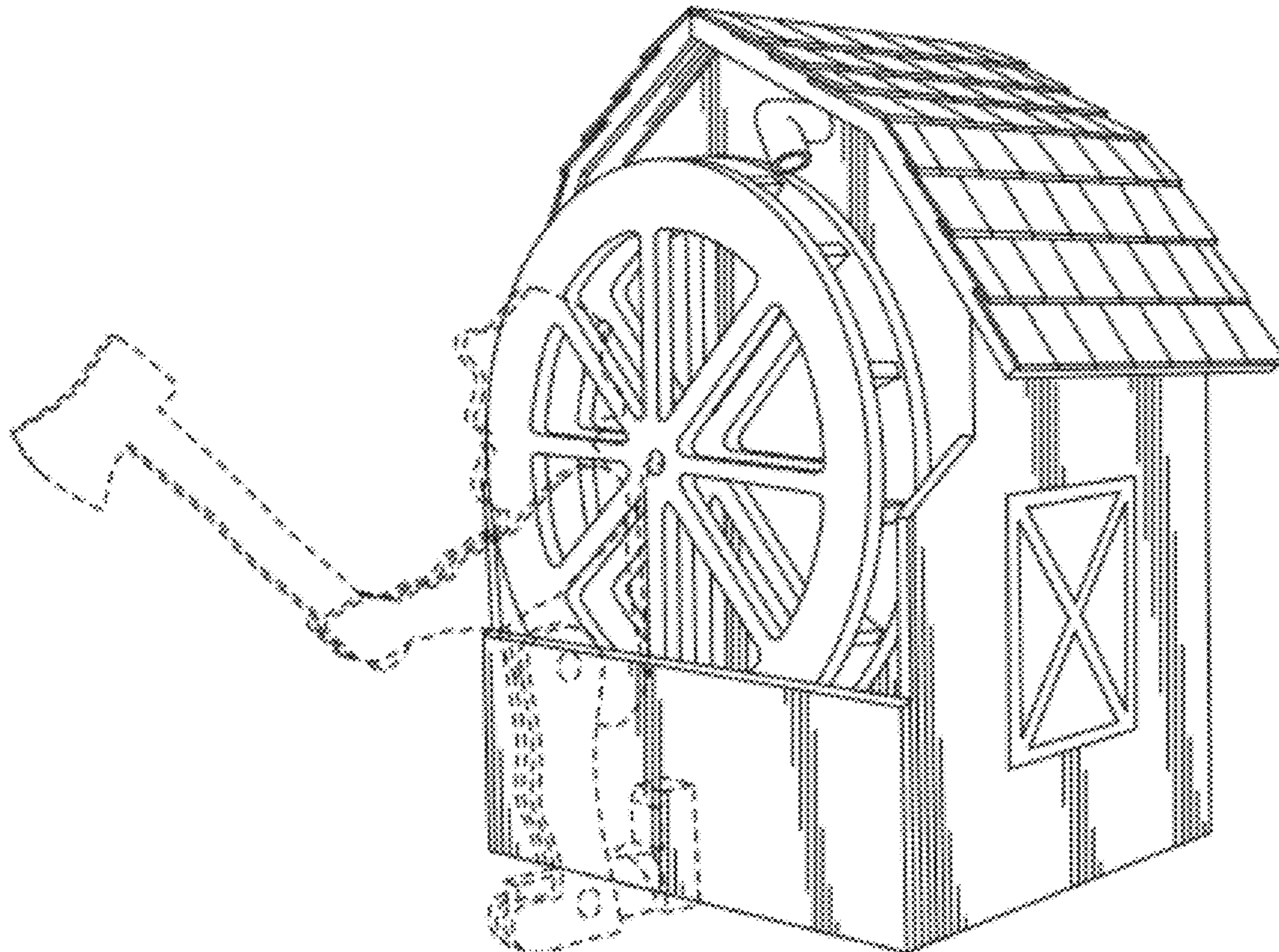


FIG. 1

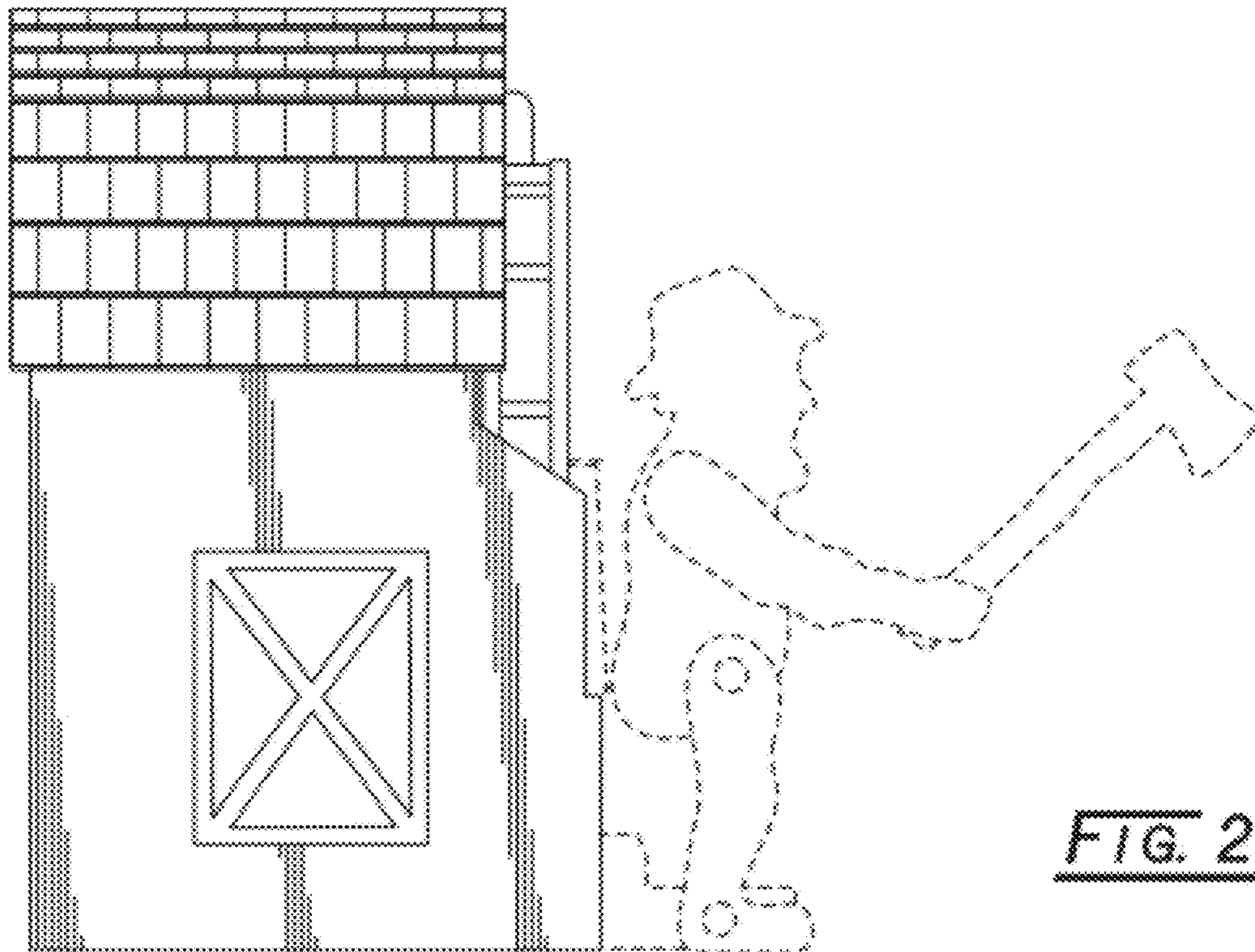
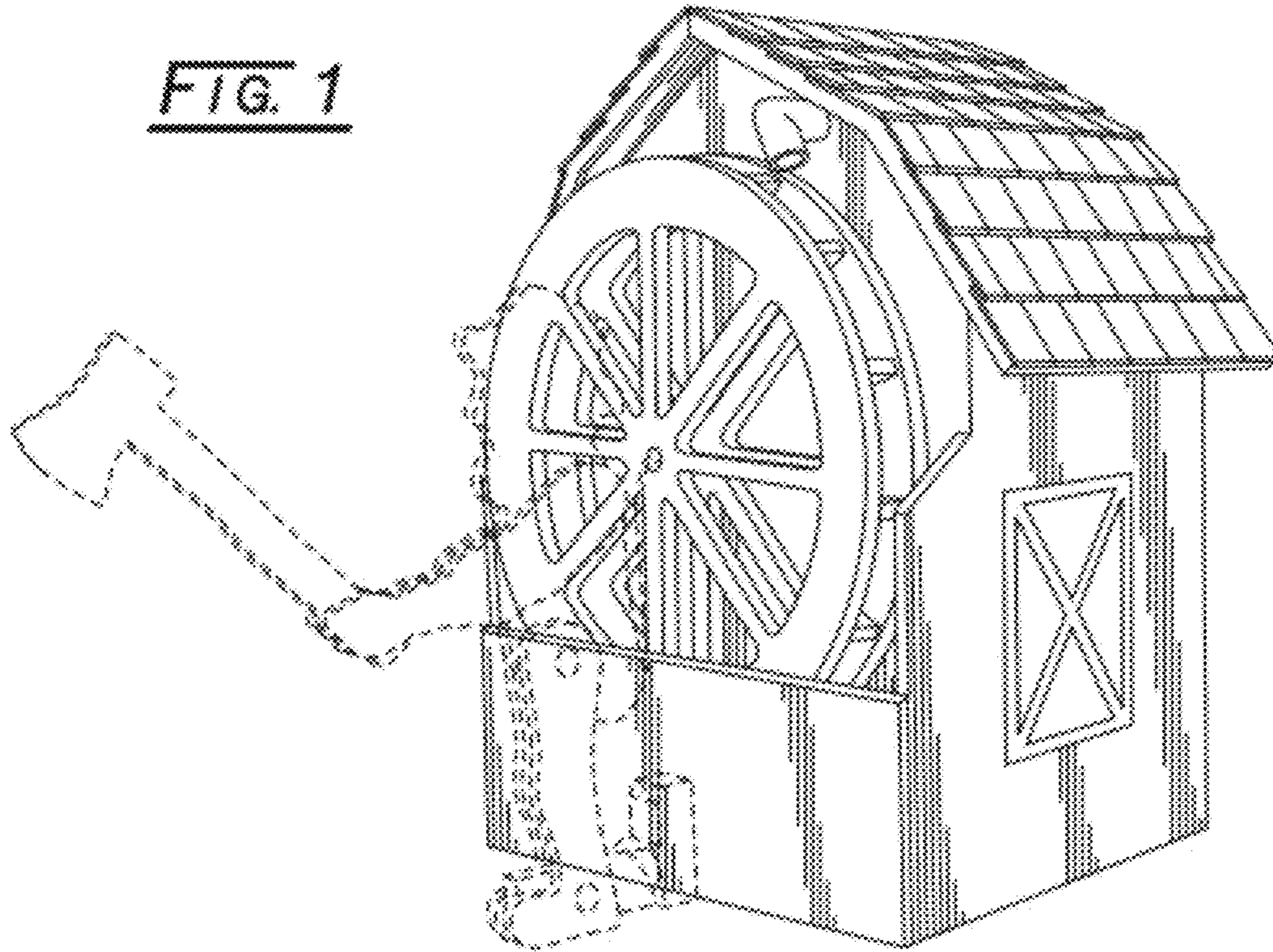


FIG. 2

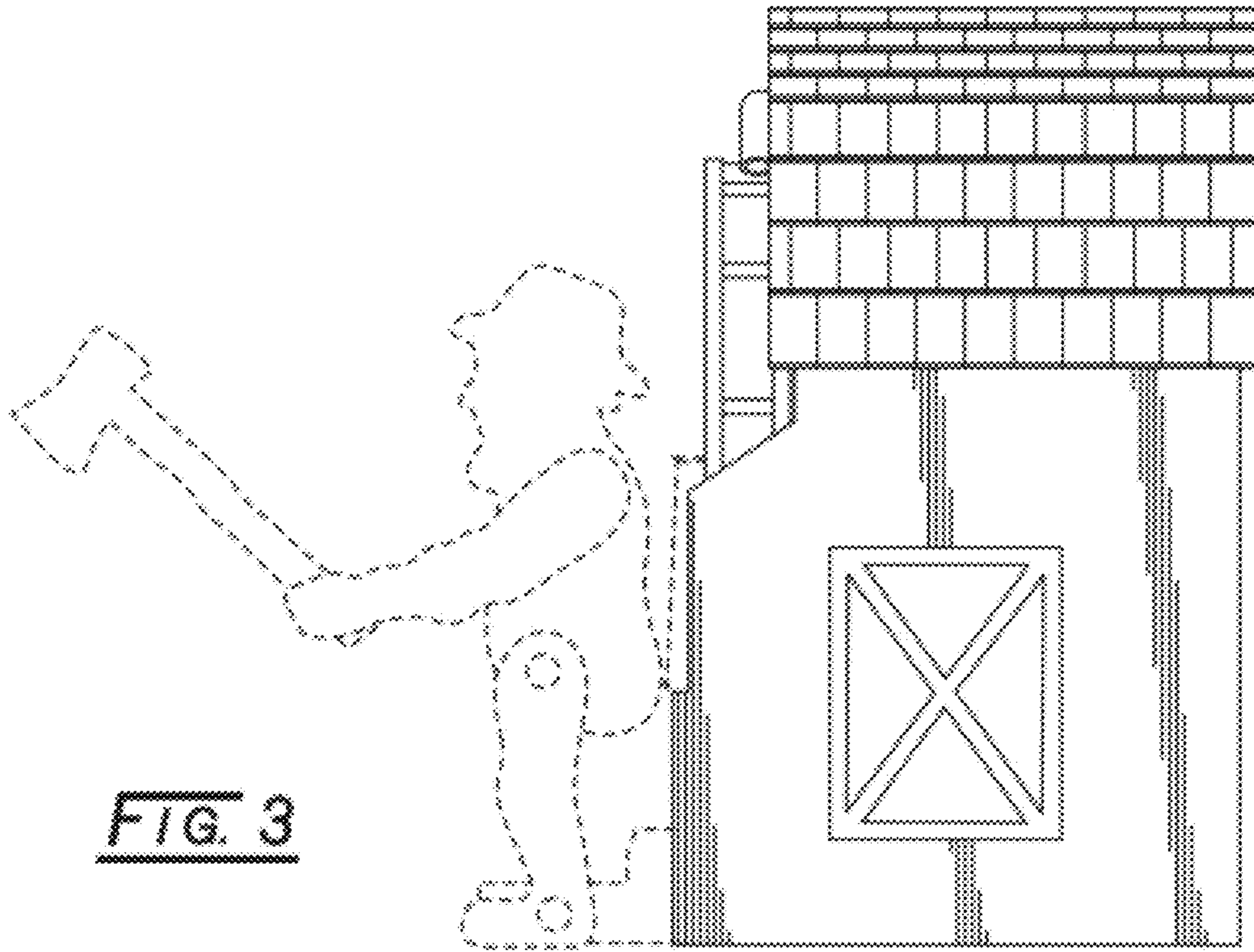


FIG. 3

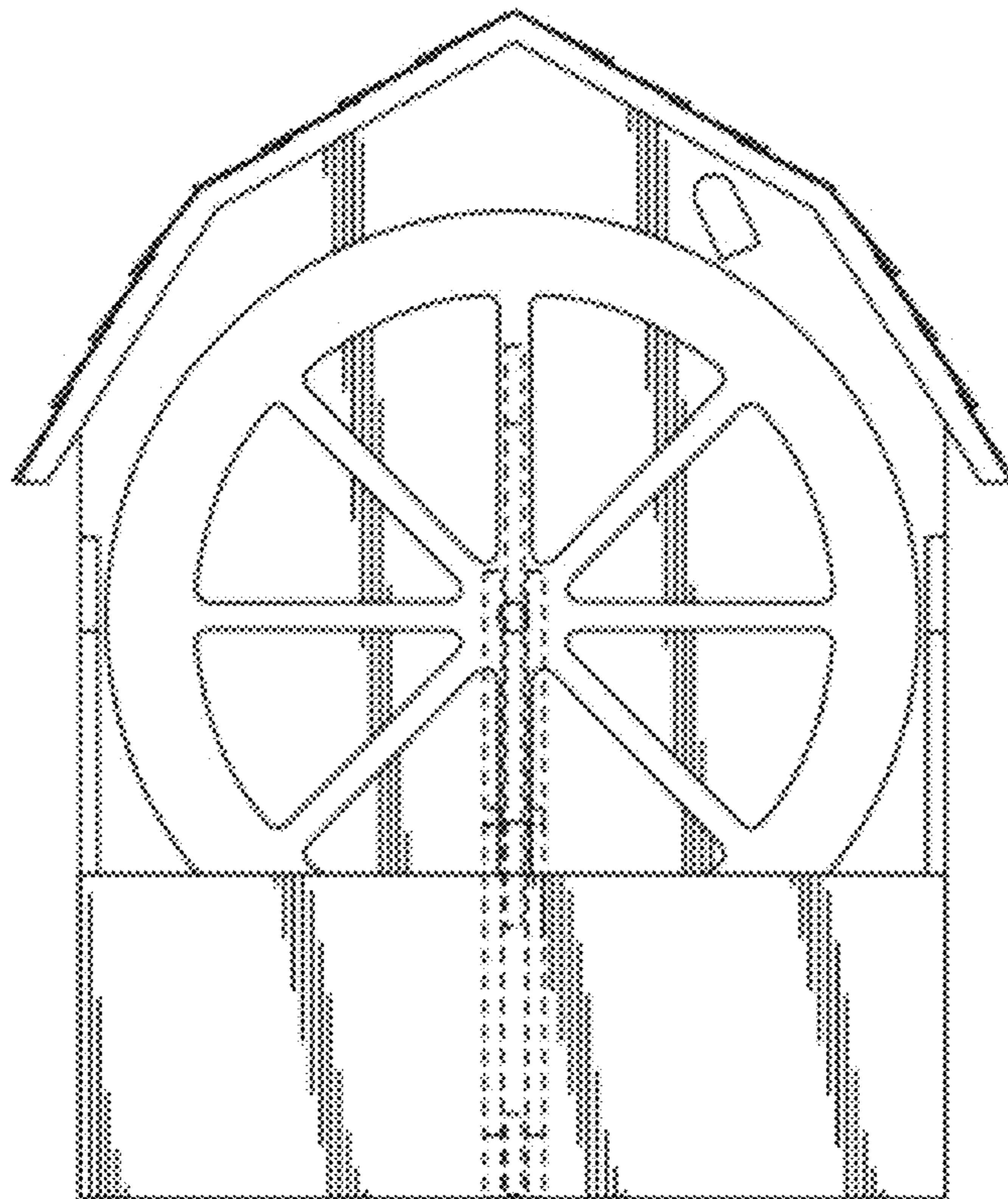


FIG. 4

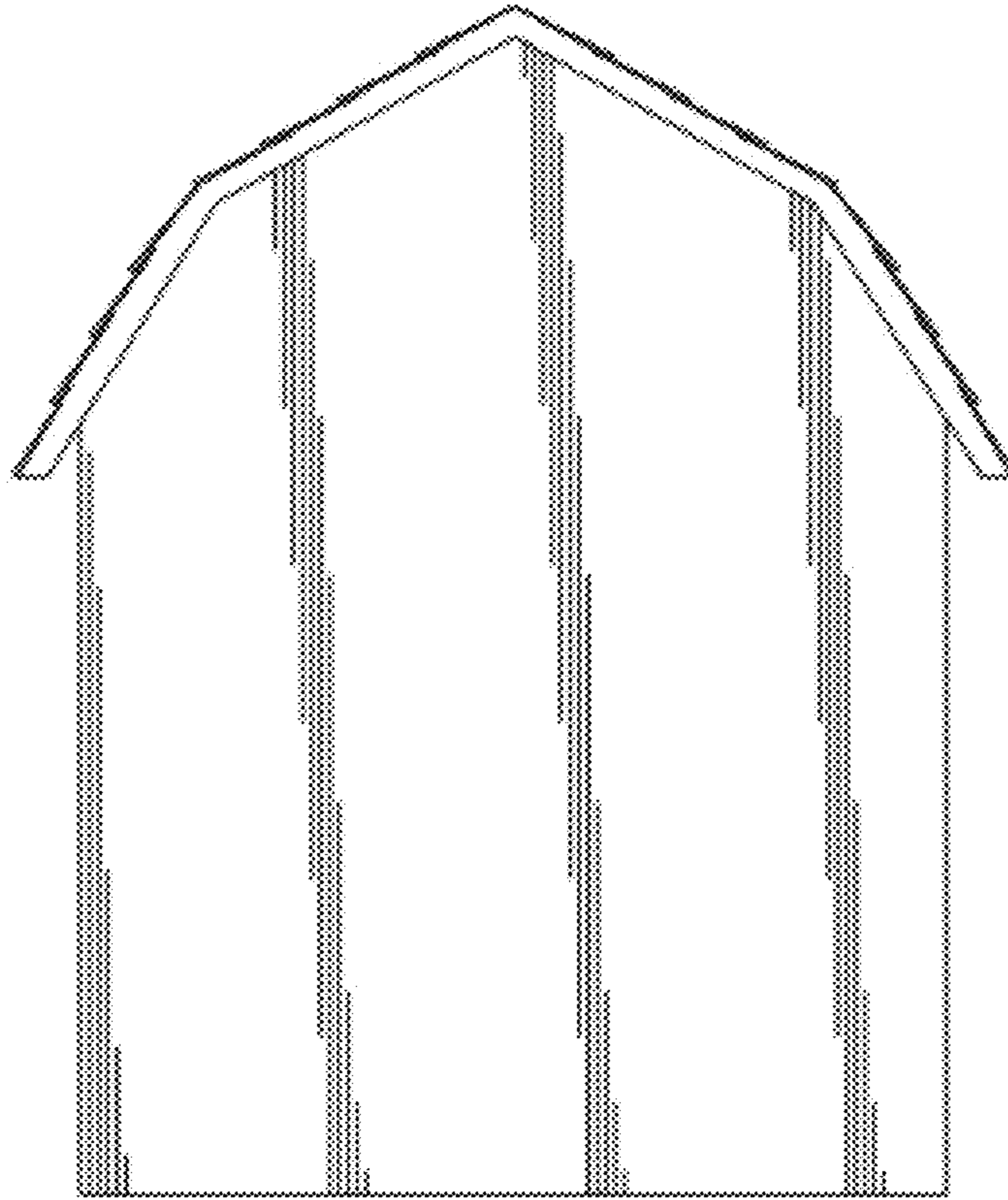


FIG. 5

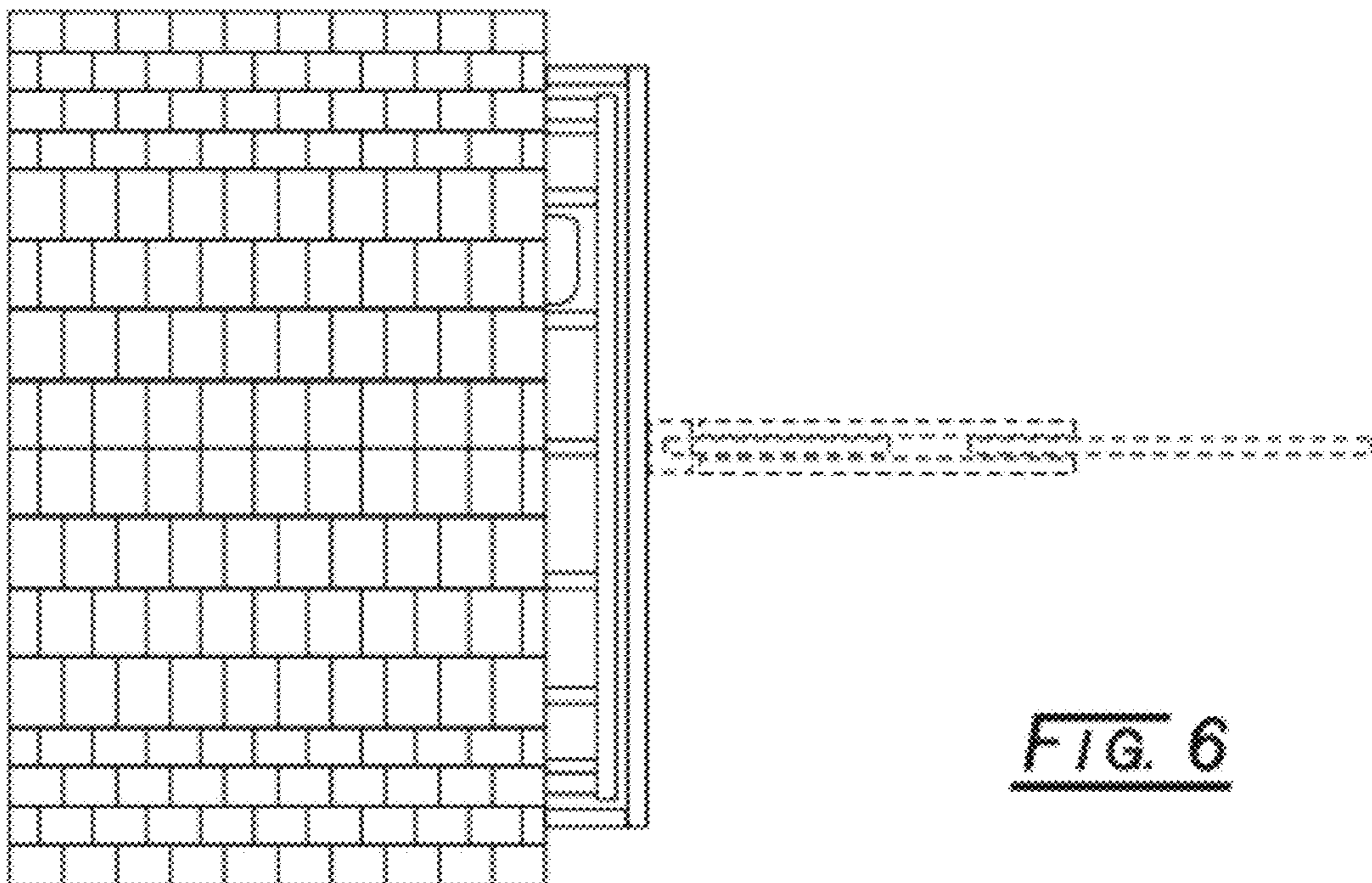


FIG. 6