



US00D674714S

(12) **United States Design Patent**
Tzeng

(10) **Patent No.:** **US D674,714 S**
(45) **Date of Patent:** **** Jan. 22, 2013**

(54) **GPS NAVIGATION**

(75) Inventor: **Guan-Hua Tzeng**, New Taipei (TW)

(73) Assignee: **Cheng Uei Precision Industry Co., Ltd.**, New Taipei (TW)

(**) Term: **14 Years**

(21) Appl. No.: **29/406,096**

(22) Filed: **Nov. 9, 2011**

(51) **LOC (9) Cl.** **10-04**

(52) **U.S. Cl.** **D10/65; D10/70**

(58) **Field of Classification Search** D10/65,
D10/70, 104.2, 106.6; D14/315, 336, 337,
D14/341, 342, 343, 240–242, 356–358, 371,
D14/140.1–140.6, 140, 155, 159, 137, 149,
D14/150, 217, 170–171, 125, 188, 203.3,
D14/203.4, 203.7; 342/386, 351, 419, 457,
342/357.2–357.78, 450, 458; 343/702; 345/87,
345/104, 133, 156, 168, 173, 901–905; 348/180,
348/184, 315, 739; 364/444, 499; 701/23–28,
701/400, 408, 409, 468–491, 526
See application file for complete search history.

(56) **References Cited**

U.S. PATENT DOCUMENTS

D584,646 S * 1/2009 Sanguinetti D10/65
D611,364 S * 3/2010 Lenz et al. D10/65

D627,666 S * 11/2010 Lenz et al. D10/65
D627,667 S * 11/2010 Lenz et al. D10/65
D628,913 S * 12/2010 Cheng D10/65
D640,149 S * 6/2011 Lenz et al. D10/65
D640,578 S * 6/2011 Aihara et al. D10/65
D659,568 S * 5/2012 Stevens et al. D10/65
D659,569 S * 5/2012 Shadovitz D10/65
2012/0223865 A1 * 9/2012 Li et al. 343/702

* cited by examiner

Primary Examiner — Antoine D Davis

(74) *Attorney, Agent, or Firm* — Cheng-Ju Chiang

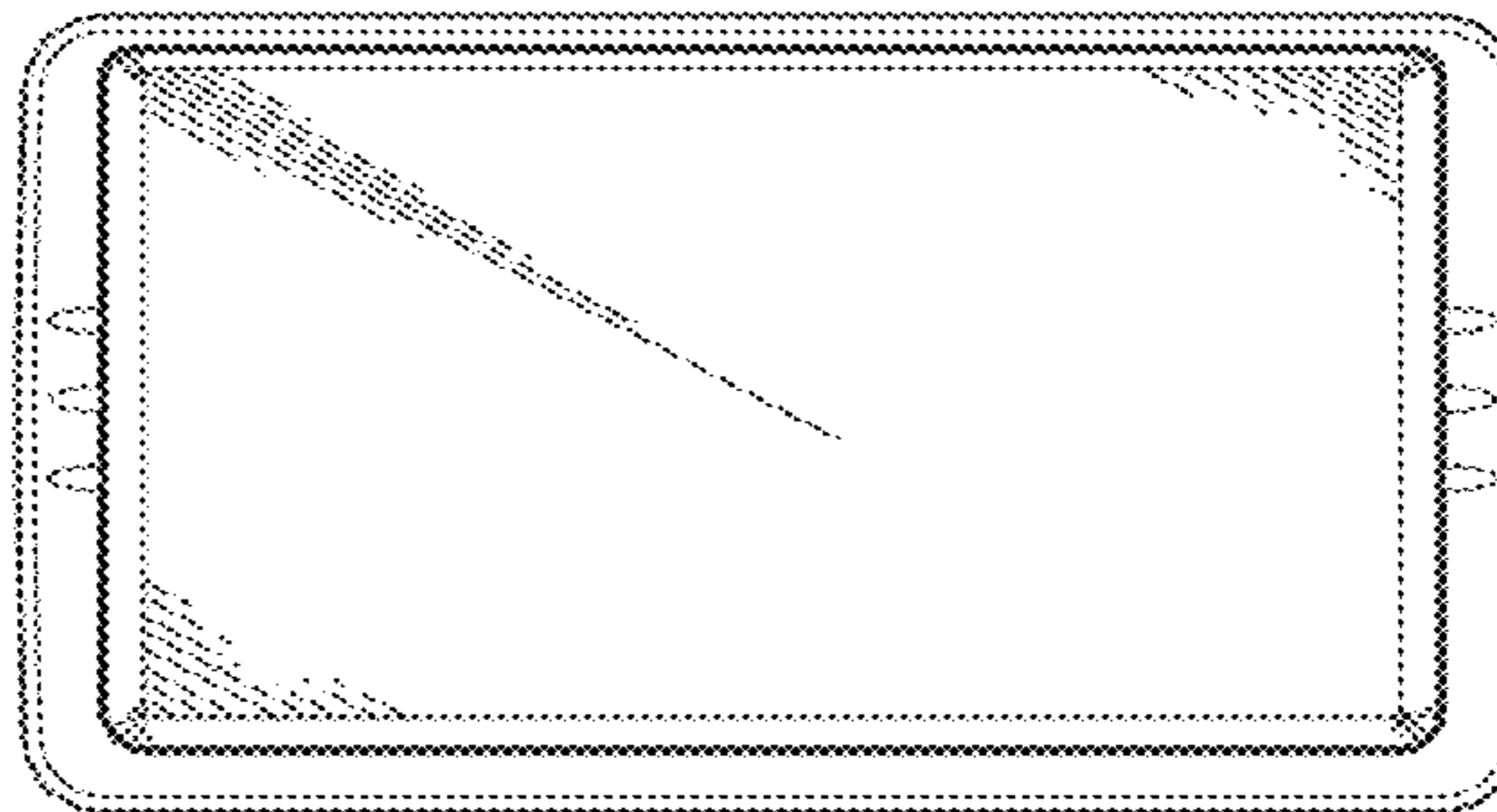
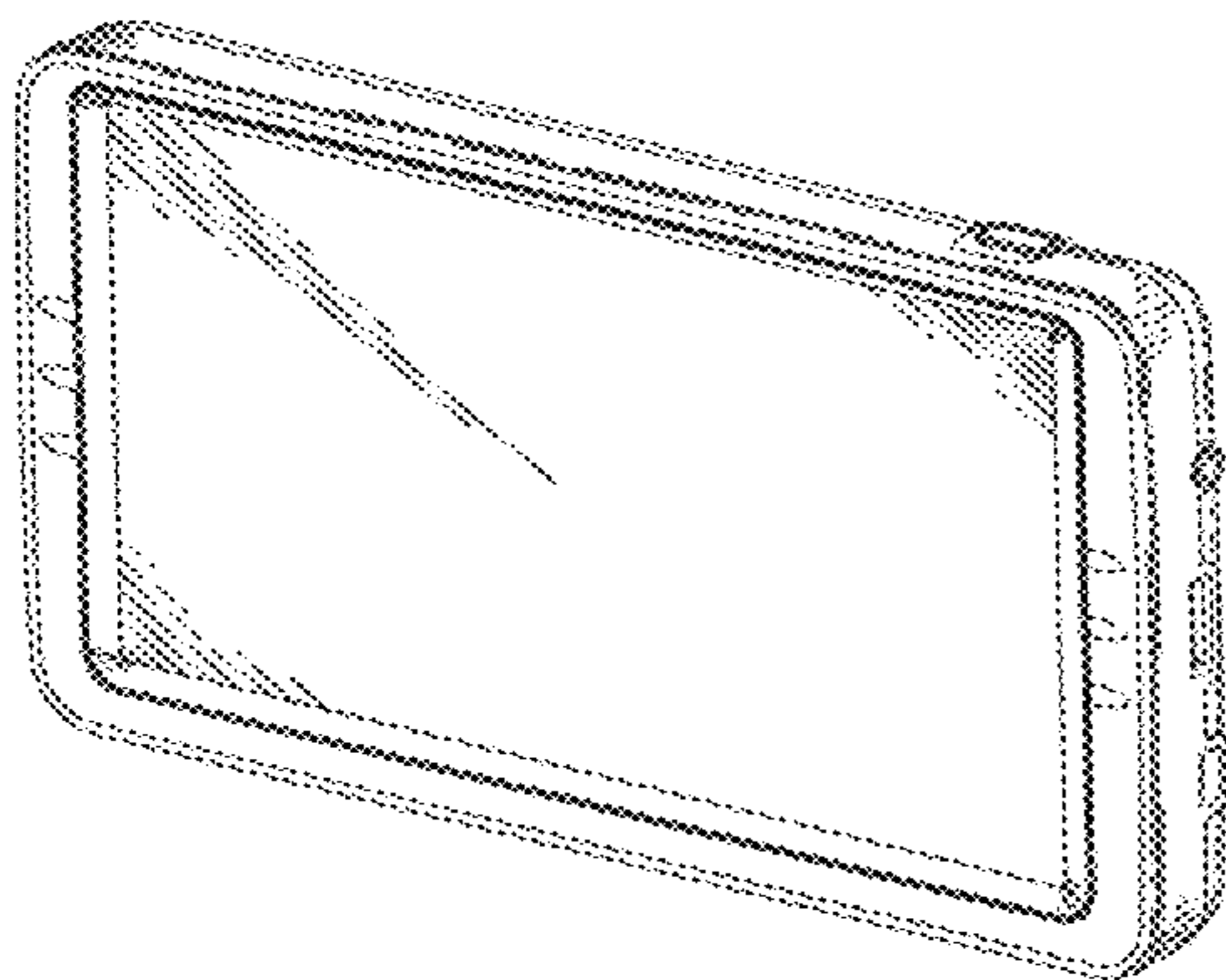
(57) **CLAIM**

The ornamental design for a GPS navigation, as shown and described.

DESCRIPTION

FIG. 1 is a perspective view of a GPS navigation showing my new design;
FIG. 2 is a front elevational view thereof;
FIG. 3 is a rear elevational view thereof;
FIG. 4 is a left side elevational view thereof;
FIG. 5 is a right side elevational view thereof;
FIG. 6 is a top plan view thereof;
FIG. 7 is a bottom plan view thereof; and,
FIG. 8 is another perspective view of the GPS navigation showing my new design.

1 Claim, 8 Drawing Sheets



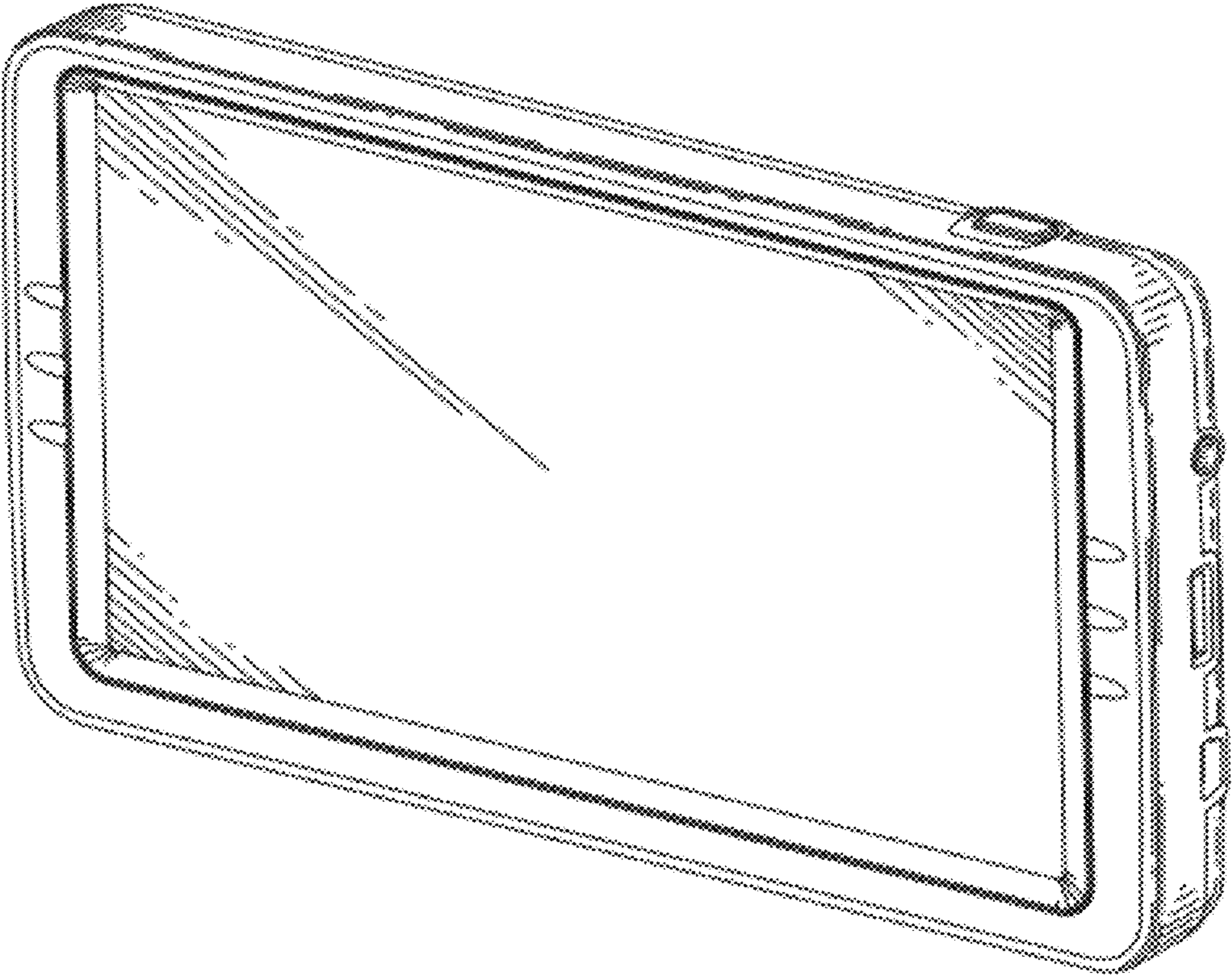


FIG. 1

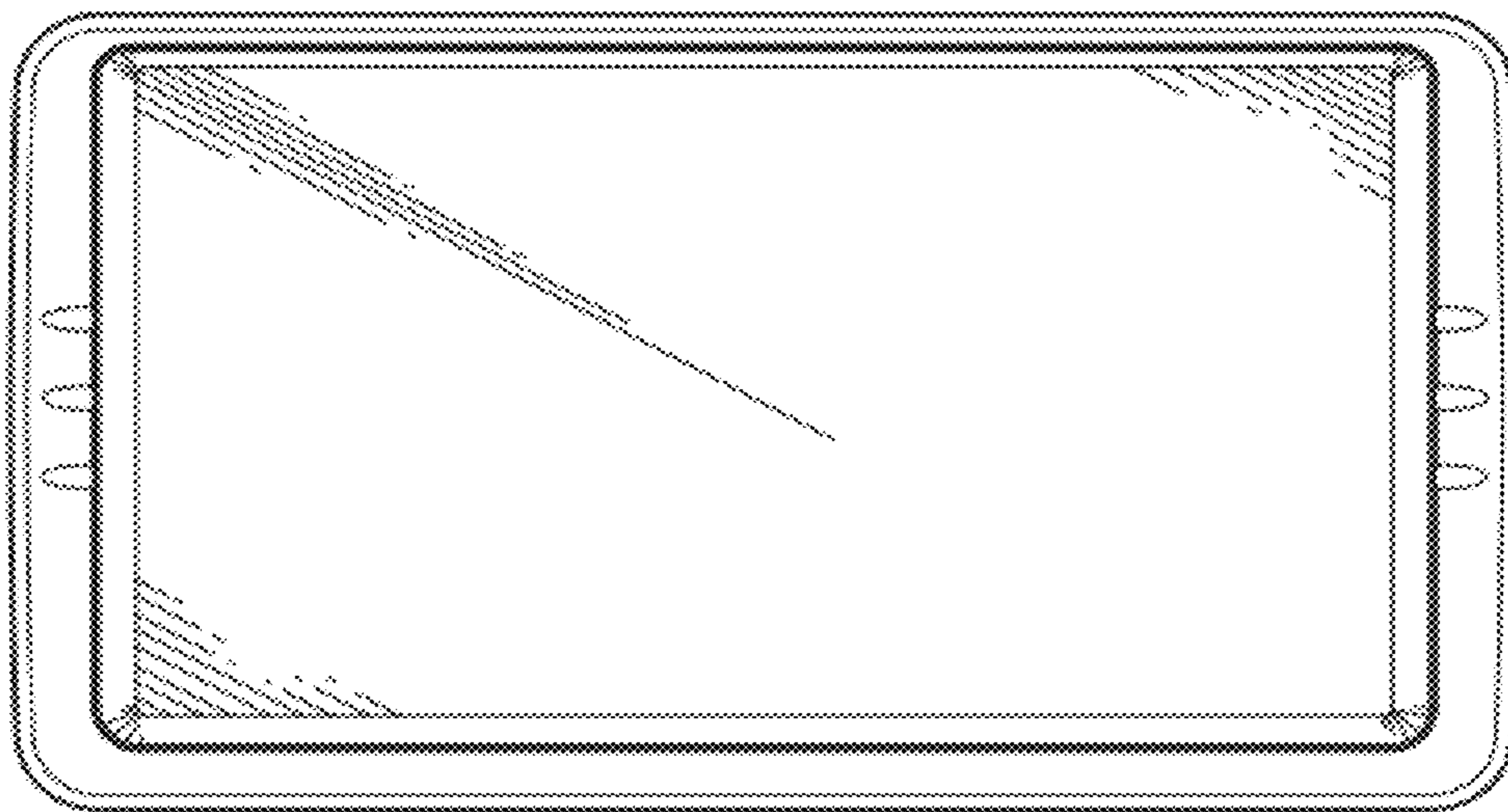


FIG. 2

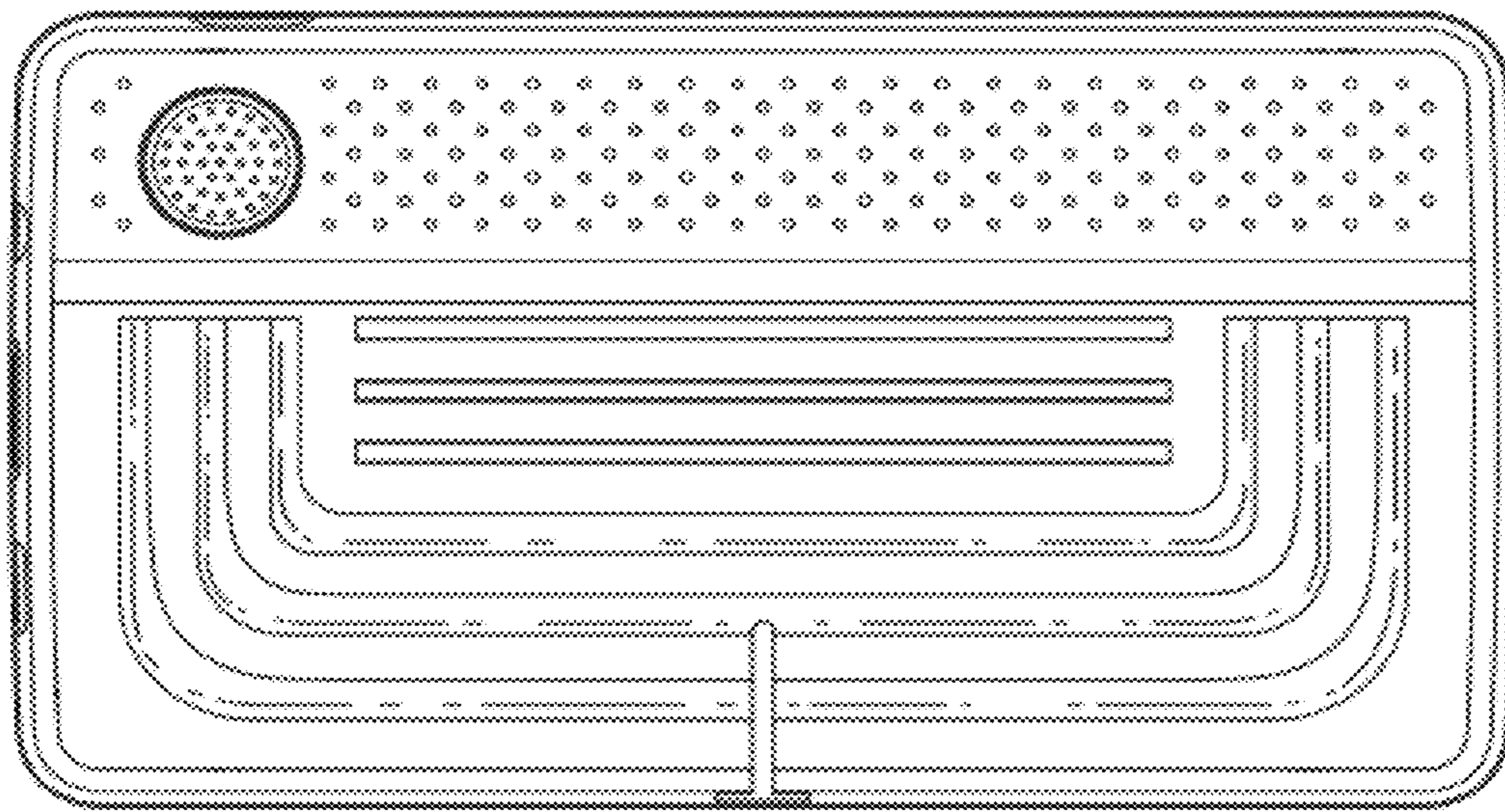


FIG. 3

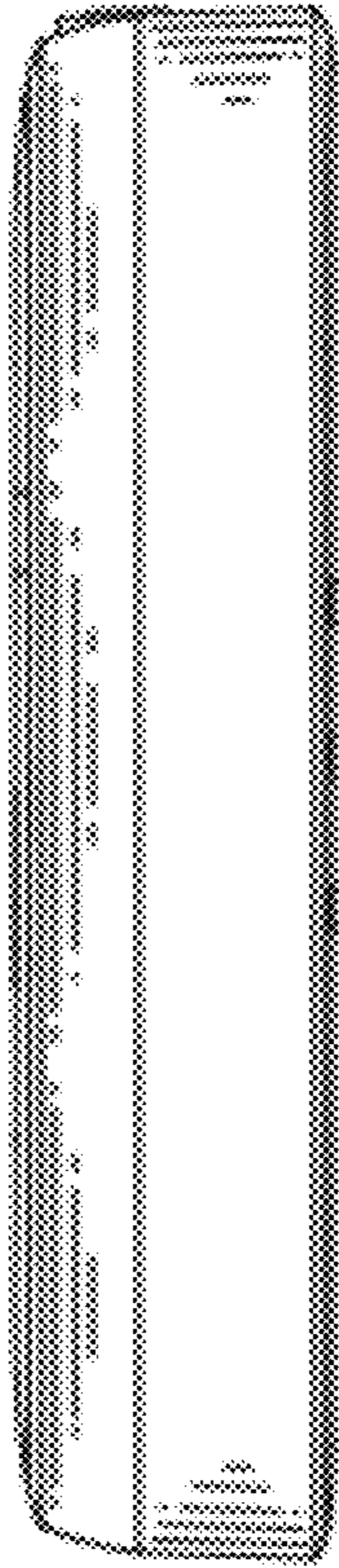


FIG. 4

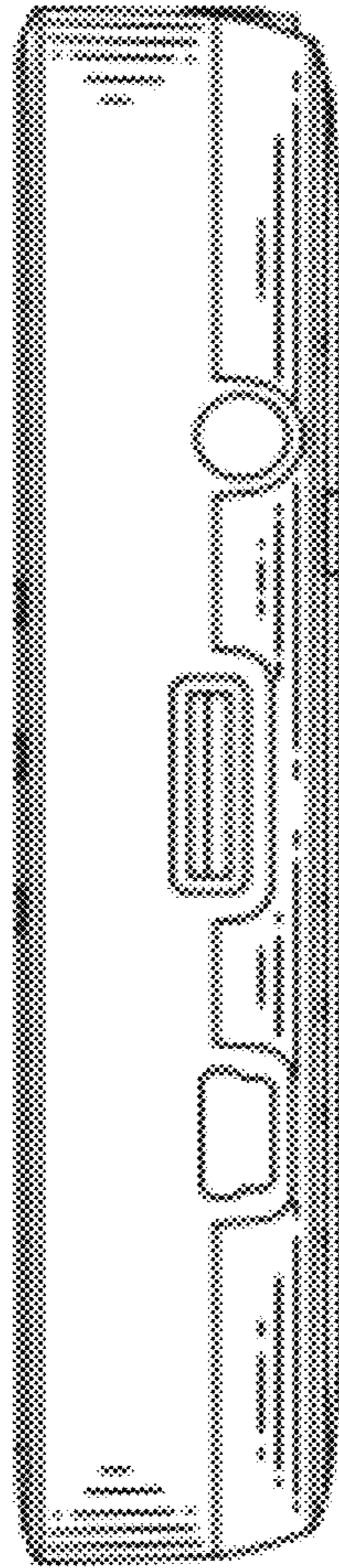


FIG. 5

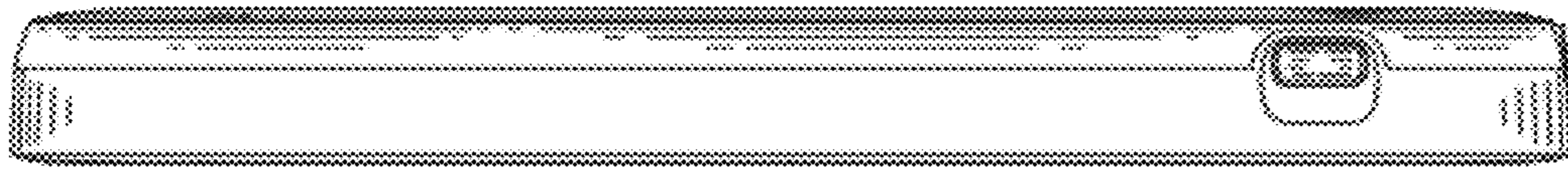


FIG. 6

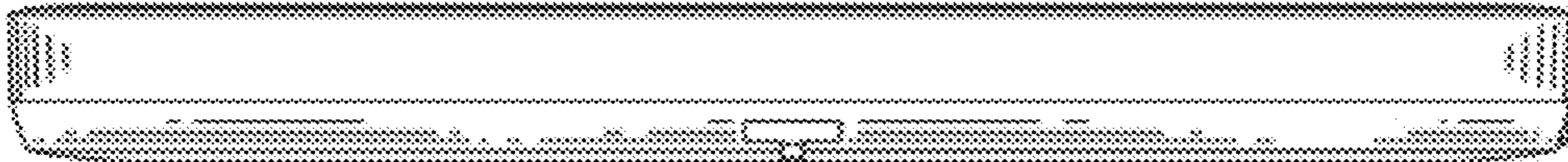


FIG. 7

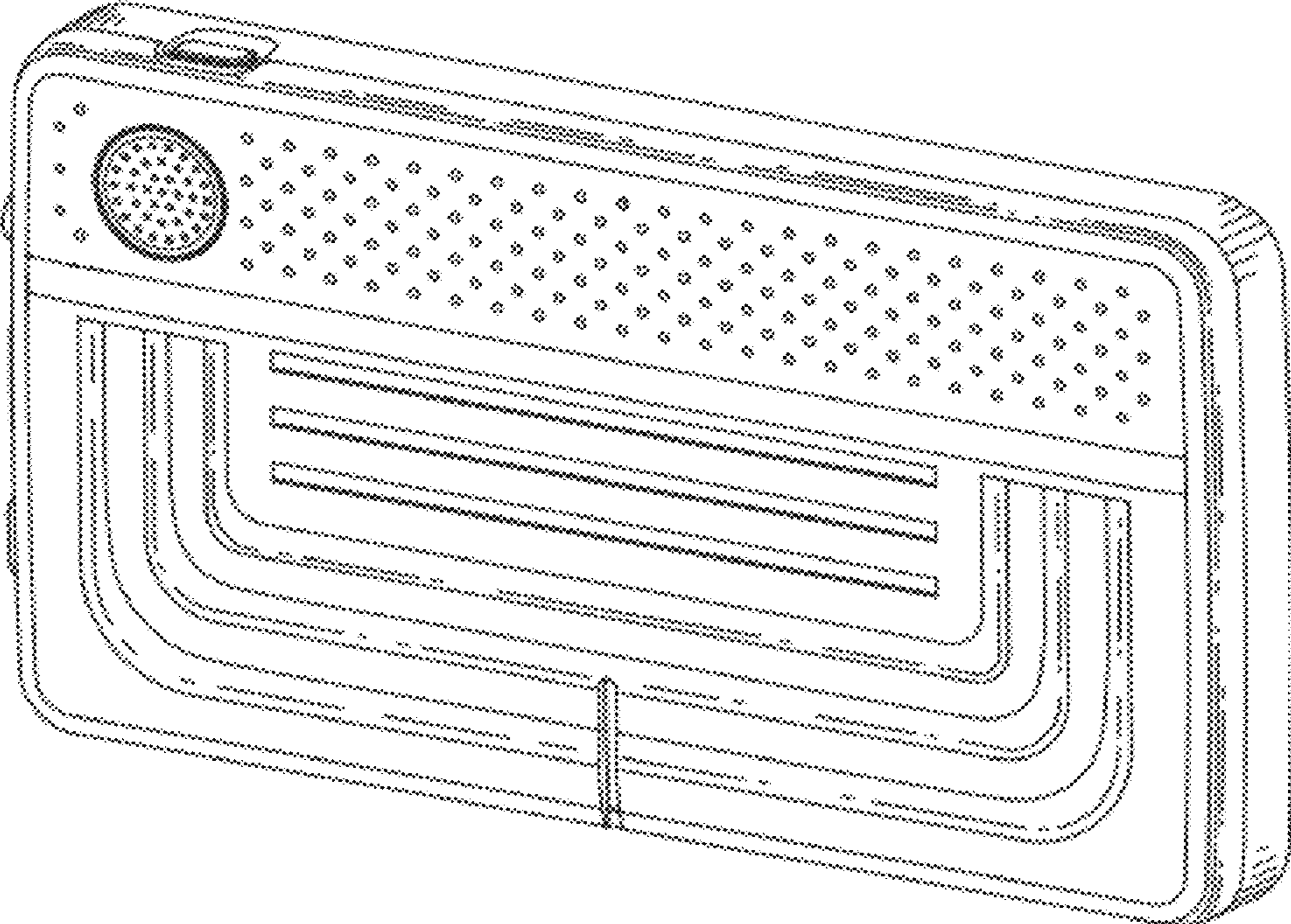


FIG. 8