



US00D674713S

(12) **United States Design Patent**
Ranzau

(10) **Patent No.:** **US D674,713 S**
(45) **Date of Patent:** **** Jan. 22, 2013**

(54) **BOW MAKING TOOL**

(76) Inventor: **Karyn E. Ranzau**, Louisville, KY (US)

(**) Term: **14 Years**

(21) Appl. No.: **29/419,674**

(22) Filed: **Apr. 30, 2012**

Related U.S. Application Data

(62) Division of application No. 29/397,458, filed on Jul. 15, 2011, now Pat. No. Des. 661,208.

(51) **LOC (9) Cl.** **10-04**

(52) **U.S. Cl.** **D10/64**

(58) **Field of Classification Search** D10/64;
33/562-566; 68/147; 223/46, 50; 289/17,
289/18.1; D3/26

See application file for complete search history.

(56) **References Cited**

U.S. PATENT DOCUMENTS

6,779,817	B2	8/2004	Ota	
D614,858	S	5/2010	Ranzau	
D615,291	S	5/2010	Ranzau	
D615,746	S	5/2010	Ranzau	
2010/0025438	A1	2/2010	Ranzau	
2011/0024467	A1*	2/2011	Fuentes	223/46

OTHER PUBLICATIONS

Hair-Hardware.com, Hair Clips, Ribbon, Plastic Headbands and Crochet Headbands, [available at least as early as Aug. 25, 2009]; URL: <http://www.hair-hardware.com/articles.asp?id=138>.

* cited by examiner

Primary Examiner — Antoine D Davis

(74) *Attorney, Agent, or Firm* — Dinsmore & Shohl, LLP

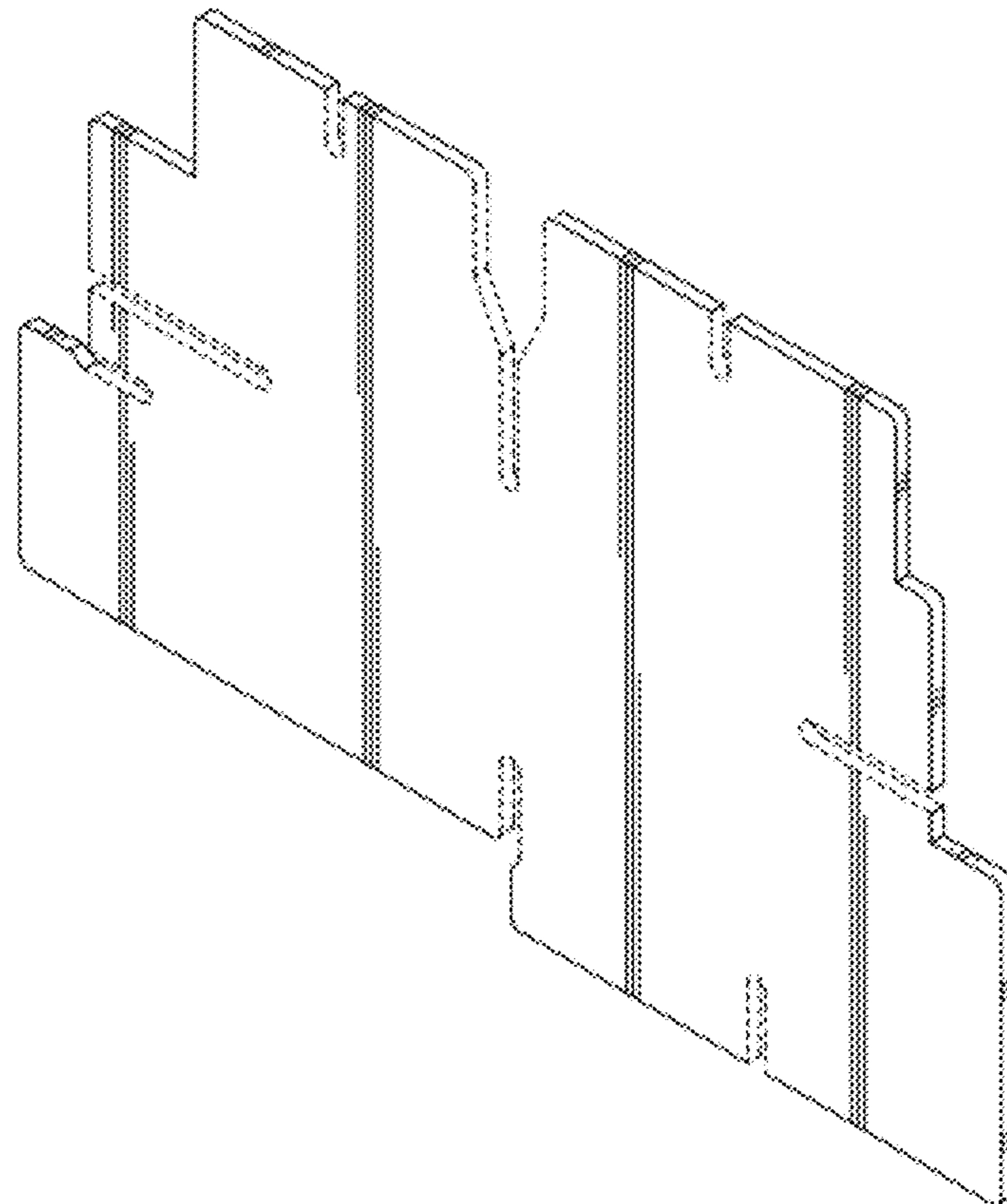
(57) **CLAIM**

The ornamental design of a bow making tool, as shown and described.

DESCRIPTION

FIG. 1 shows a perspective view of a bow making tool; FIG. 2 shows a top side view thereof; FIG. 3 shows a top view thereof, and the bottom view is a mirror image of the top view; FIG. 4 shows a bottom side view thereof; FIG. 5 shows a left side view thereof; and, FIG. 6 shows a right side view thereof. Broken lines are for illustrative purposes only and do not form part of the design sought to be patented.

1 Claim, 3 Drawing Sheets



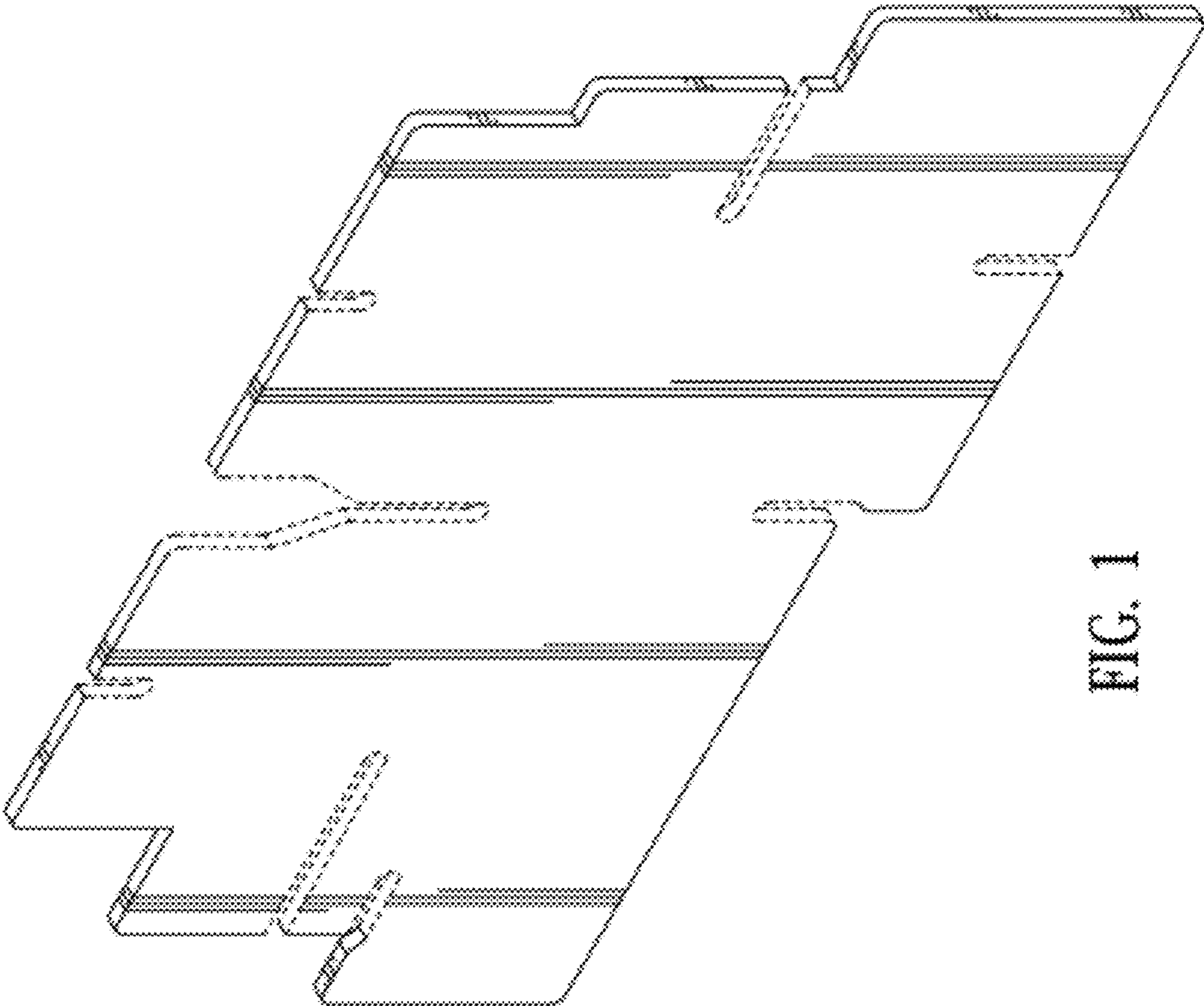


FIG. 1



FIG. 2

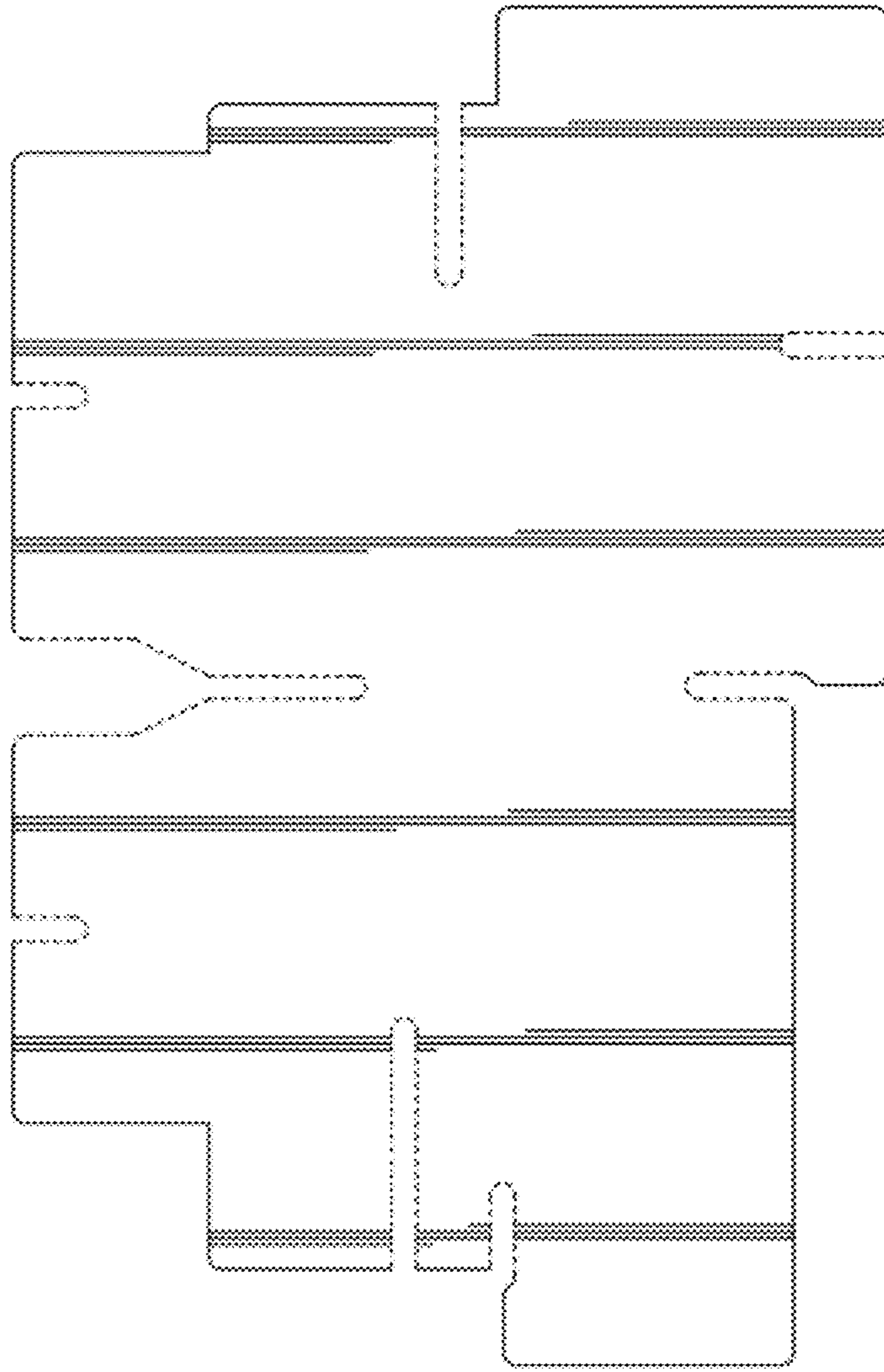


FIG. 3



FIG. 4



FIG. 5



FIG. 6