



US00D674711S

(12) **United States Design Patent**  
**Robbins et al.**

(10) **Patent No.:** **US D674,711 S**

(45) **Date of Patent:** **\*\* Jan. 22, 2013**

(54) **SLIDER FOR ADJUSTABLE SPOON**

(75) Inventors: **Rodney W. Robbins**, Florence, AL  
(US); **Brittany L. Stewart**, Nashville,  
TN (US)

(73) Assignee: **Fox Run USA, LLC**, Ivyland, PA (US)

(\*\*) Term: **14 Years**

(21) Appl. No.: **29/416,333**

(22) Filed: **Mar. 21, 2012**

(51) **LOC (9) Cl.** ..... **10-04**

(52) **U.S. Cl.** ..... **D10/46.2**

(58) **Field of Classification Search** ..... D10/46.2,  
D10/46.3; 73/426-429; 30/324-328  
See application file for complete search history.

(56) **References Cited**

U.S. PATENT DOCUMENTS

2,882,732 A \* 4/1959 Cercone ..... 73/429  
5,182,948 A \* 2/1993 Robbins et al. .... 73/429  
5,460,042 A \* 10/1995 Tucker ..... 73/429

D371,976 S \* 7/1996 Tucker ..... D10/46.3  
5,678,450 A \* 10/1997 Robbins et al. .... 73/429  
D403,256 S \* 12/1998 Weterrings ..... D10/46.3  
D466,034 S \* 11/2002 McGuyer ..... D10/46.2  
D467,823 S \* 12/2002 McGuyer ..... D10/46.3  
D515,949 S \* 2/2006 McGuyer ..... D10/46.2  
2011/0126619 A1\* 6/2011 Robbins ..... 73/426

\* cited by examiner

*Primary Examiner* — Terry Wallace

(74) *Attorney, Agent, or Firm* — Gregor N. Neff

(57) **CLAIM**

The ornamental design for a slider for adjustable spoon, as shown and described.

**DESCRIPTION**

FIG. 1 is a perspective view of the slider of the invention;  
FIG. 2 is a top plan view of the slider shown in FIG. 1;  
FIG. 3 is a left side elevation view of the slider shown in FIG. 1; and,  
FIG. 4 is a right side elevation view of the slider shown in FIG. 1.

**1 Claim, 1 Drawing Sheet**

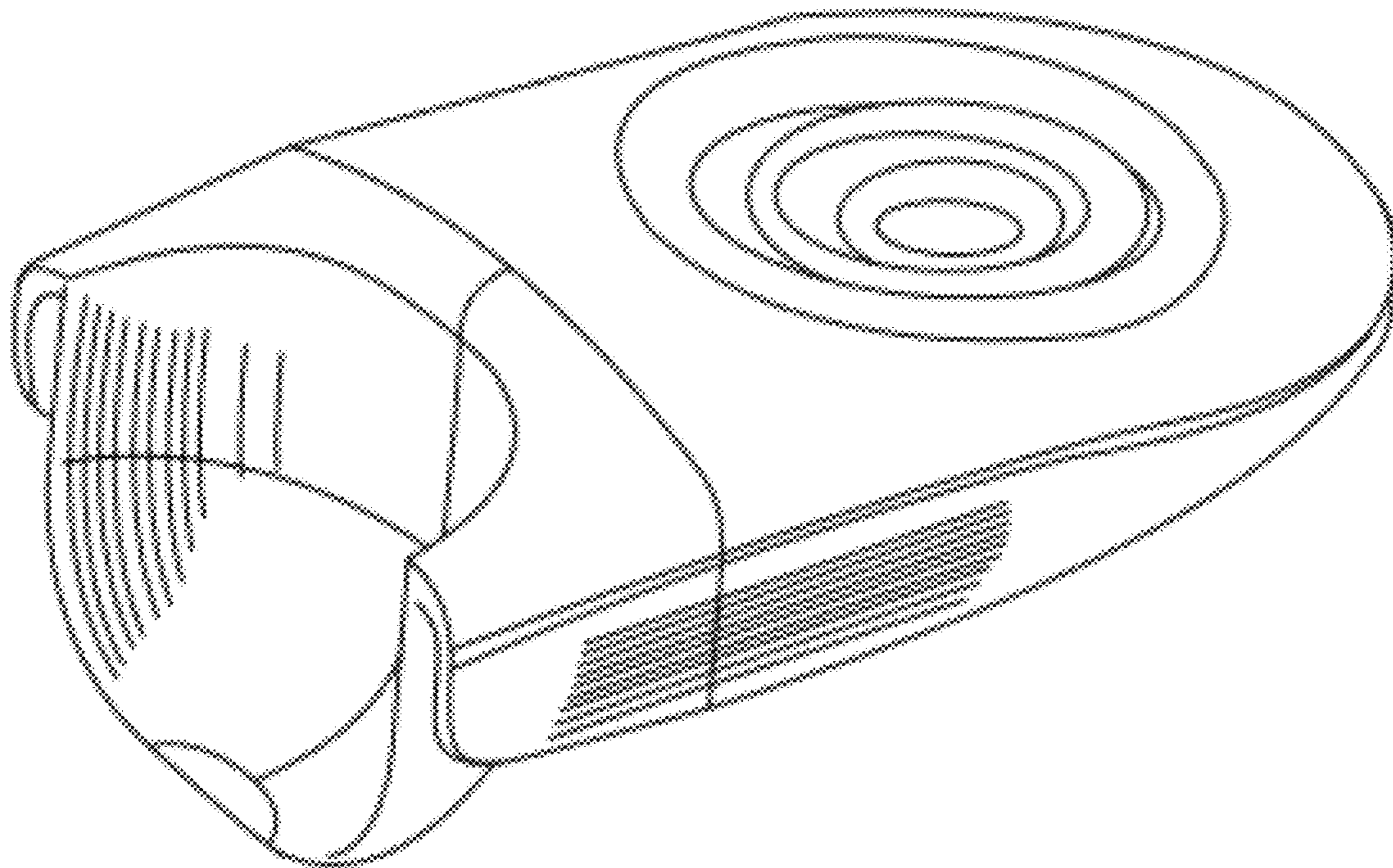


Fig. 1

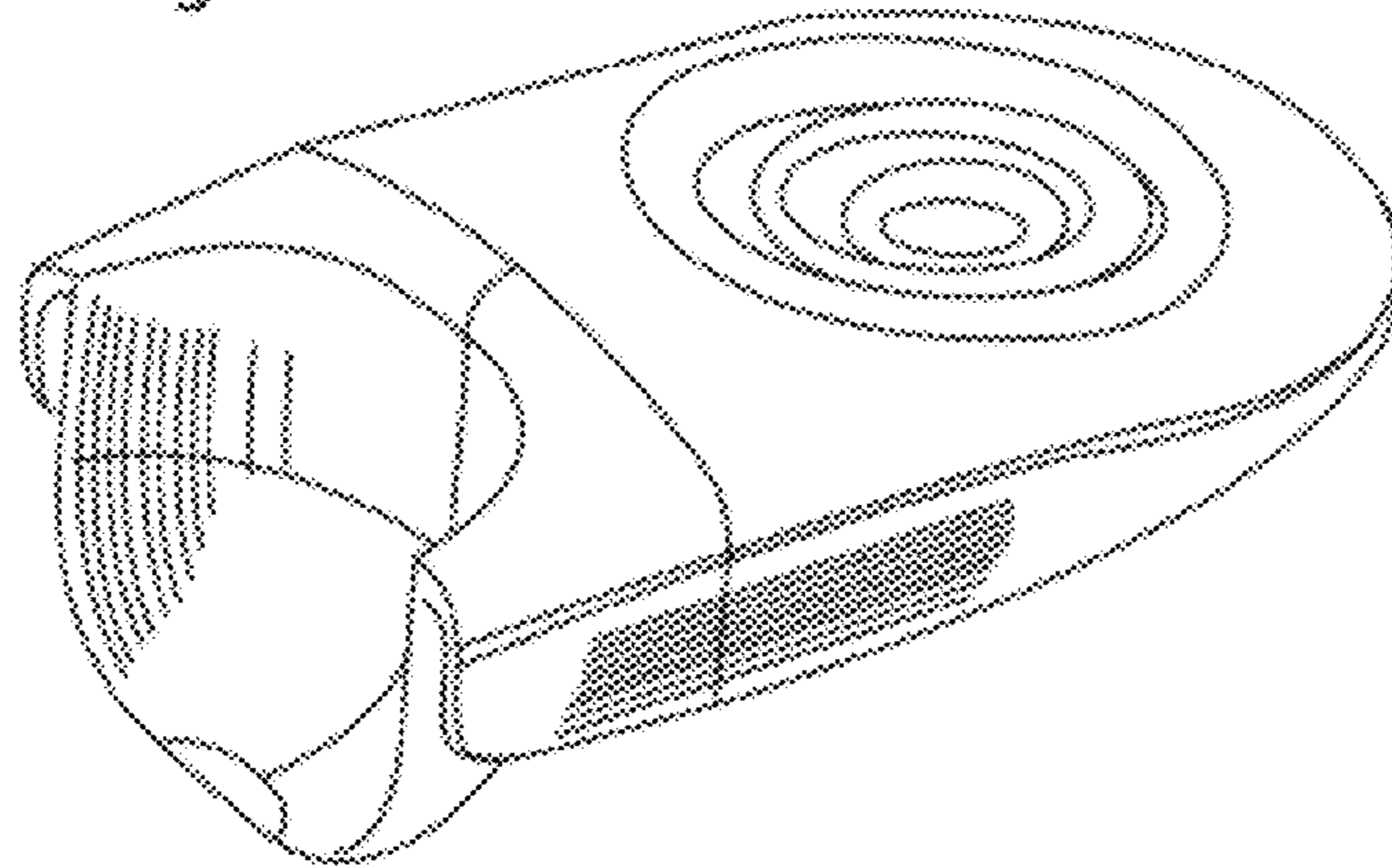


Fig. 2

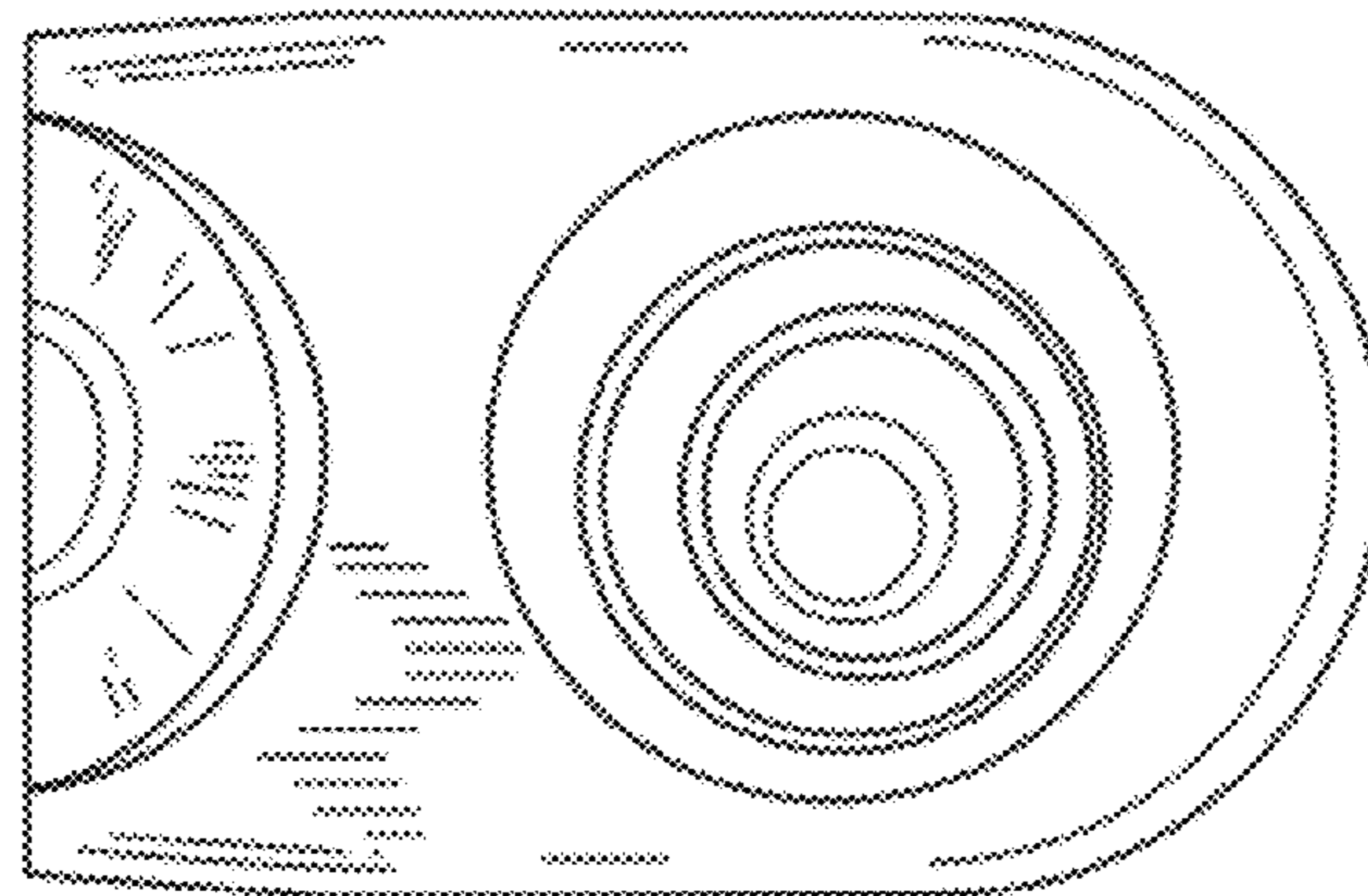


Fig. 3



Fig. 4

