



US00D674709S

(12) **United States Design Patent**
Akana et al.

(10) **Patent No.:** **US D674,709 S**
(45) **Date of Patent:** **** Jan. 22, 2013**

(54) **PACKAGING**

229/152, 181.1, 185.1, 186, 201, 917, 922,
229/923, 930-933, 935, 937, 939, 942; 220/796
See application file for complete search history.

(75) Inventors: **Jody Akana**, San Francisco, CA (US);
Bartley K. Andre, Menlo Park, CA
(US); **Jeremy Bataillou**, San Francisco,
CA (US); **Daniel J. Coster**, San
Francisco, CA (US); **Daniele De Iuliis**,
San Francisco, CA (US); **Evans**
Hankey, San Francisco, CA (US);
Richard P. Howarth, San Francisco, CA
(US); **Jonathan P. Ive**, San Francisco,
CA (US); **Duncan Robert Kerr**, San
Francisco, CA (US); **Shin Nishibori**,
Kailua, HI (US); **Matthew Dean**
Rohrbach, San Francisco, CA (US);
Peter Russell-Clarke, San Francisco,
CA (US); **Christopher J. Stringer**,
Woodside, CA (US); **Eugene Antony**
Whang, San Francisco, CA (US); **Rico**
Zorkendorfer, San Francisco, CA (US)

(56) **References Cited**

U.S. PATENT DOCUMENTS

D22,290	S	*	3/1893	Burnworth	D9/737
D168,664	S	*	1/1953	Van Dyke	D9/737
3,324,999	A		6/1967	Farquhar		
3,347,445	A		10/1967	Wood		
3,802,555	A		4/1974	Grasty et al.		
3,850,333	A		11/1974	Reichert		
D237,315	S		10/1975	Nowakowski et al.		
D237,317	S		10/1975	Nowakowski et al.		
3,931,923	A		1/1976	Thurston		
4,085,845	A		4/1978	Perfect		
D248,731	S		8/1978	Ogawa		
D255,310	S		6/1980	Spencer		
D280,290	S		8/1985	Bakus		
D294,459	S		3/1988	Wendel		
4,739,353	A		4/1988	Heuer et al.		
D310,488	S		9/1990	Callinan		
4,993,547	A		2/1991	Pallasch et al.		
D318,420	S		7/1991	Amelse		
D323,986	S		2/1992	Ferrero		
D339,059	S		9/1993	Koehler		

(Continued)

(73) Assignee: **Apple Inc.**, Cupertino, CA (US)

(**) Term: **14 Years**

(21) Appl. No.: **29/426,064**

(22) Filed: **Jun. 29, 2012**

Related U.S. Application Data

(63) Continuation of application No. 29/363,816, filed on Jun. 15, 2010, now Pat. No. Des. 662,835, which is a continuation-in-part of application No. 29/354,604, filed on Jan. 26, 2010, now abandoned.

(51) **LOC (9) Cl.** **09-03**

(52) **U.S. Cl.** **D9/737; D9/432**

(58) **Field of Classification Search** D9/430-433,
D9/414, 418, 420-423, 529, 560; 206/278,
206/297, 299, 433, 457, 770, 737, 769, 776,
206/777, 778, 320; 229/100, 101, 103.3,
229/106, 107, 108, 108.1, 109, 110, 112,
229/116, 116.5, 117, 117.01, 117.03-117.08,
229/121, 122, 122.24, 122.29, 125.015, 126,

Primary Examiner — Thomas Johannes

(74) *Attorney, Agent, or Firm* — Sterne, Kessler,
Goldstein & Fox, P.L.L.C.

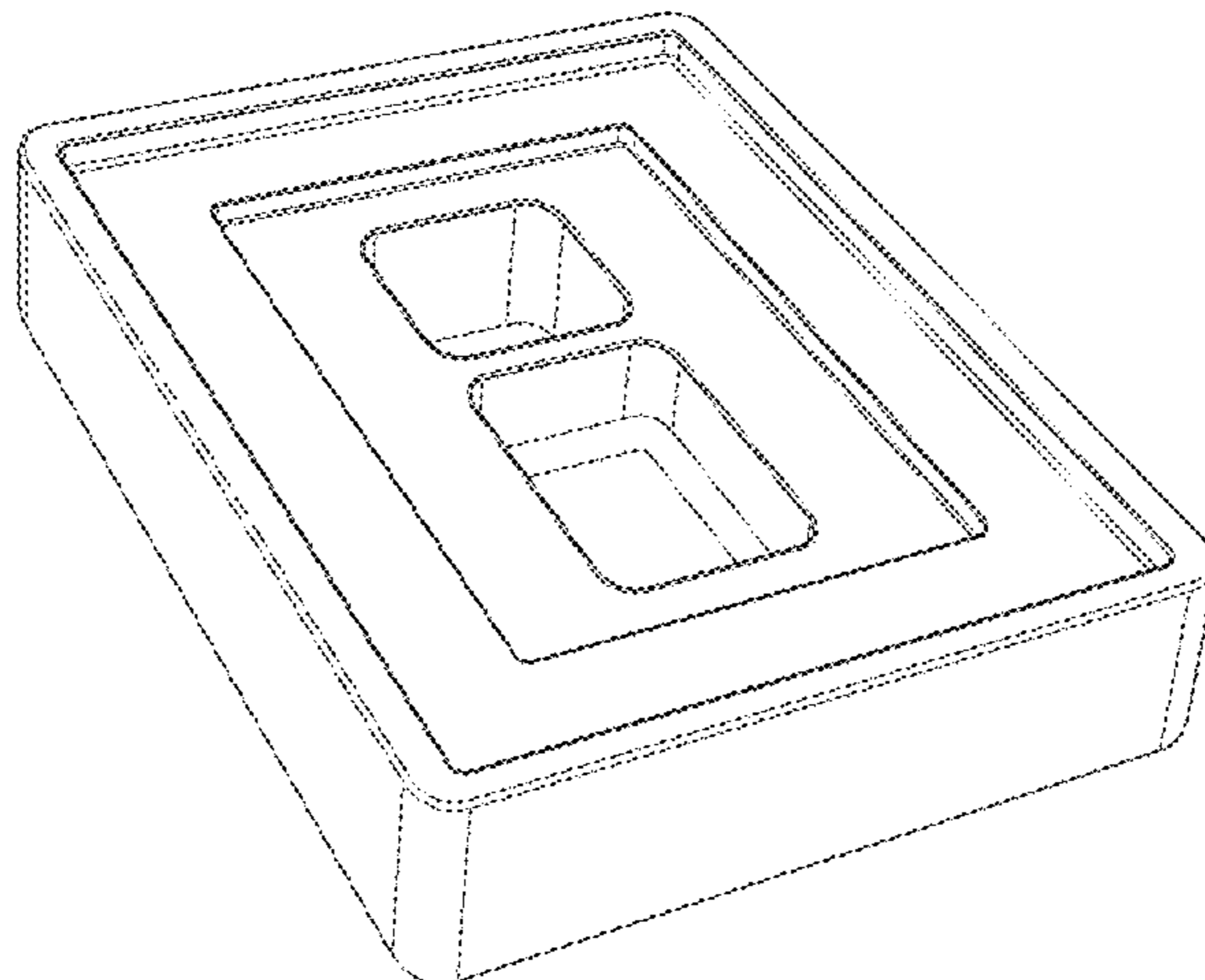
(57) **CLAIM**

The ornamental design for packaging, as shown and described.

DESCRIPTION

FIG. 1 is a front perspective view of packaging showing our new design;
FIG. 2 is a bottom perspective view thereof;
FIG. 3 is a front view thereof;
FIG. 4 is a rear view thereof;
FIG. 5 is a side view thereof;
FIG. 6 is another side view thereof;
FIG. 7 is a bottom view thereof; and,
FIG. 8 is a top plan view thereof.

1 Claim, 6 Drawing Sheets



US D674,709 S

Page 2

U.S. PATENT DOCUMENTS							
D339,287	S	9/1993	Levin	D596,485	S	7/2009	Andre et al.
D339,523	S	9/1993	Bennett	D606,855	S	12/2009	Jo et al.
5,295,580	A *	3/1994	Hicks 206/588	D610,450	S	2/2010	Lessard
D369,469	S	5/1996	Gregory	D615,320	S	5/2010	Griffin et al.
D369,548	S	5/1996	Adams	D620,352	S	7/2010	Liipola et al.
D373,724	S	9/1996	Adams	D620,795	S	8/2010	Andre et al.
D396,954	S	8/1998	Iversen et al.	D621,256	S	8/2010	Andre et al.
5,887,749	A	3/1999	Schommer et al.	D628,825	S	12/2010	Nielsen
5,950,830	A	9/1999	Trigger	D631,558	S	1/2011	Harmston et al.
5,967,327	A	10/1999	Jones	7,878,326	B2	2/2011	Andre et al.
D435,215	S	12/2000	Guzman	D633,388	S	3/2011	Andre et al.
6,302,274	B1	10/2001	Ridgeway	D635,455	S	4/2011	Andre et al.
6,305,539	B1	10/2001	Sanders, Jr.	D635,853	S	4/2011	Andre et al.
6,367,624	B1	4/2002	Szczepanski et al.	D637,076	S	5/2011	Akana et al.
D504,563	S	5/2005	Broussard et al.	D637,596	S	5/2011	Akana et al.
7,117,993	B2	10/2006	Koike	D649,450	S	11/2011	Andre et al.
D558,571	S	1/2008	Andre et al.	D660,723	S	5/2012	Akana et al.
D572,588	S	7/2008	Osborn et al.	2003/0102244	A1	6/2003	Sanders, Jr.
D576,484	S	9/2008	Koza et al.	2004/0045867	A1	3/2004	Appelbaum
D590,708	S	4/2009	Maguire et al.	2006/0266672	A1	11/2006	Young
D592,968	S *	5/2009	Lee et al. D9/600	2009/0205988	A1	8/2009	Edwards et al.
D595,056	S	6/2009	Pettersson	2010/0078343	A1	4/2010	Hoellwarth et al.
D596,025	S *	7/2009	Mordechai D9/432				

* cited by examiner

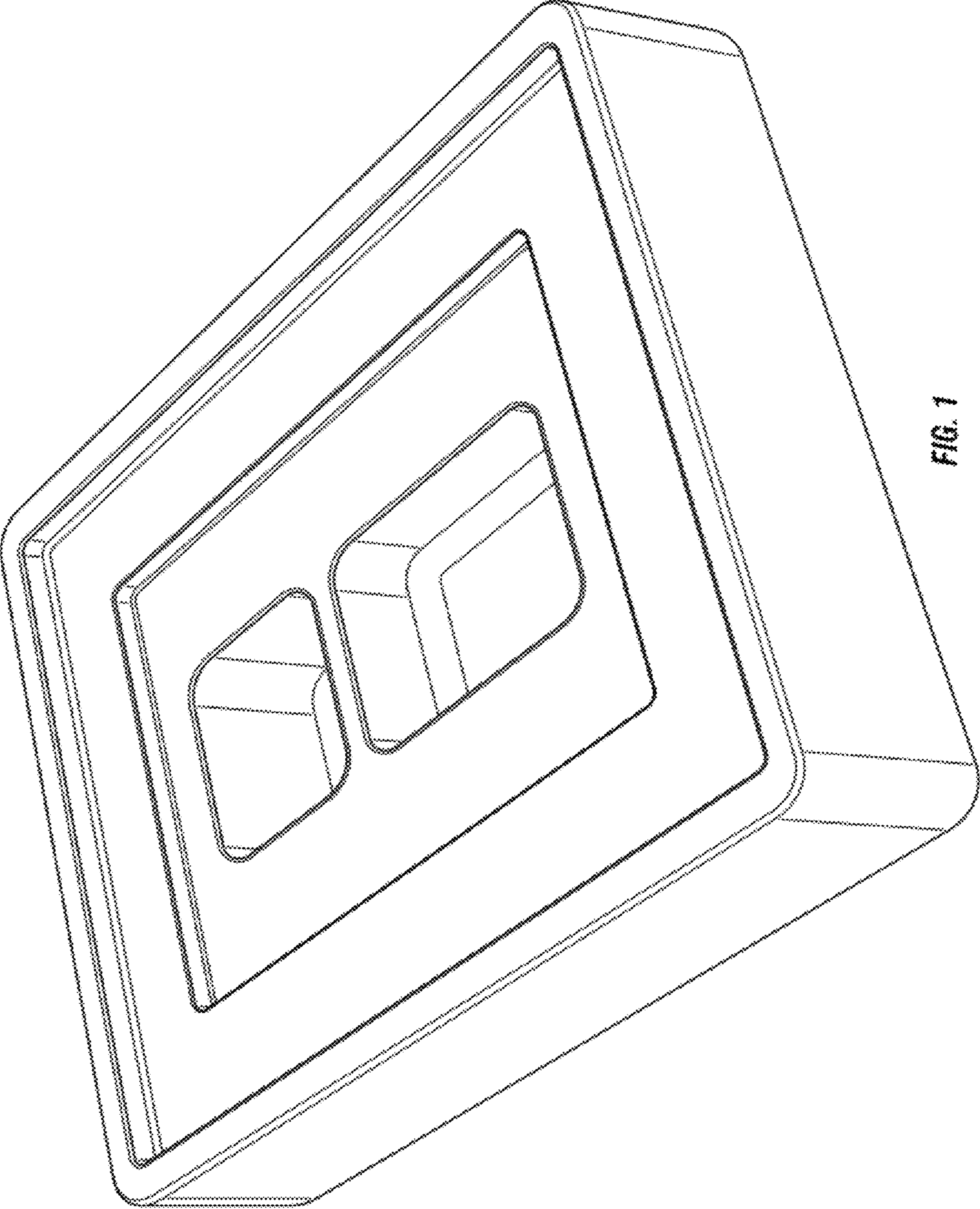


FIG. 1

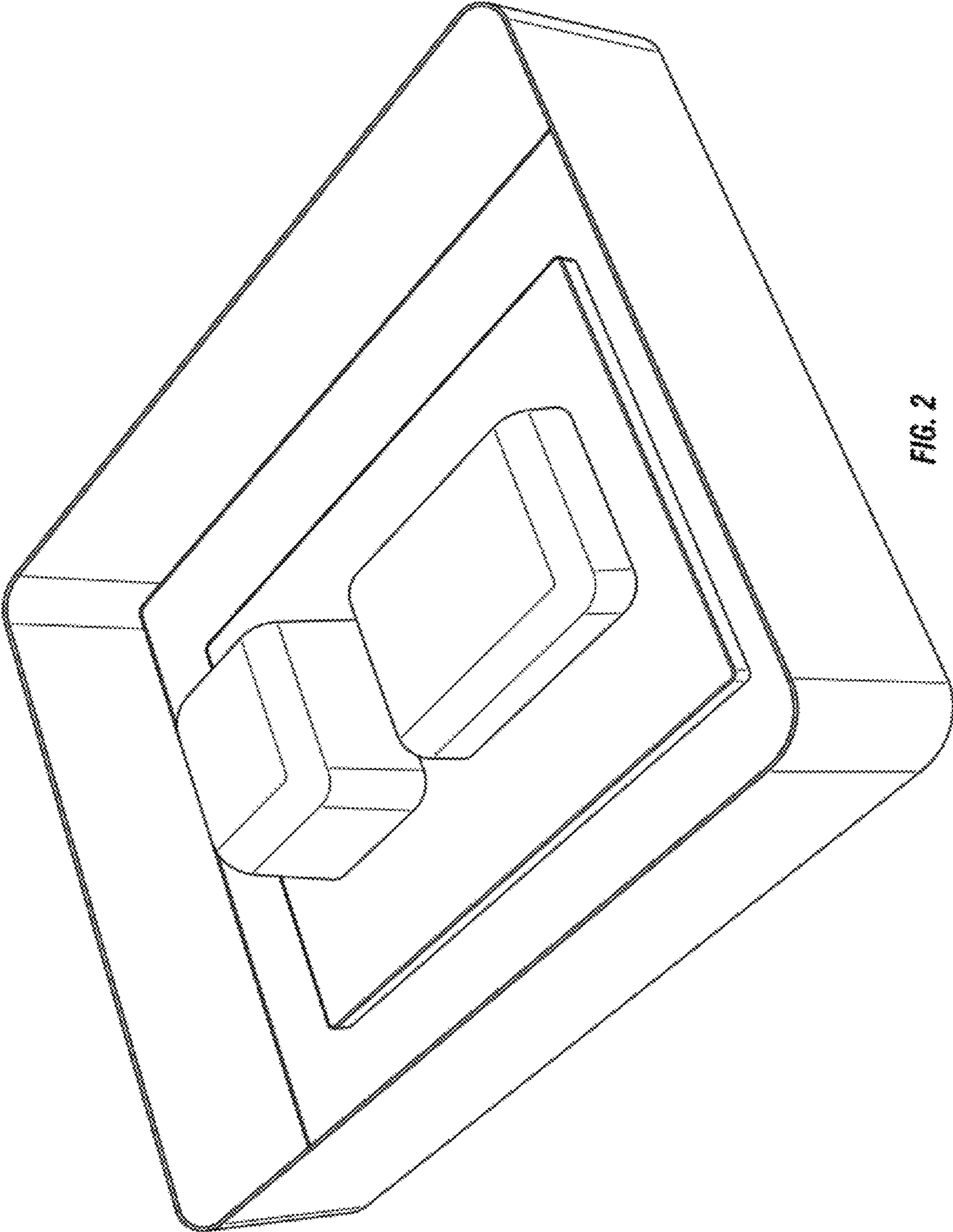


FIG. 2

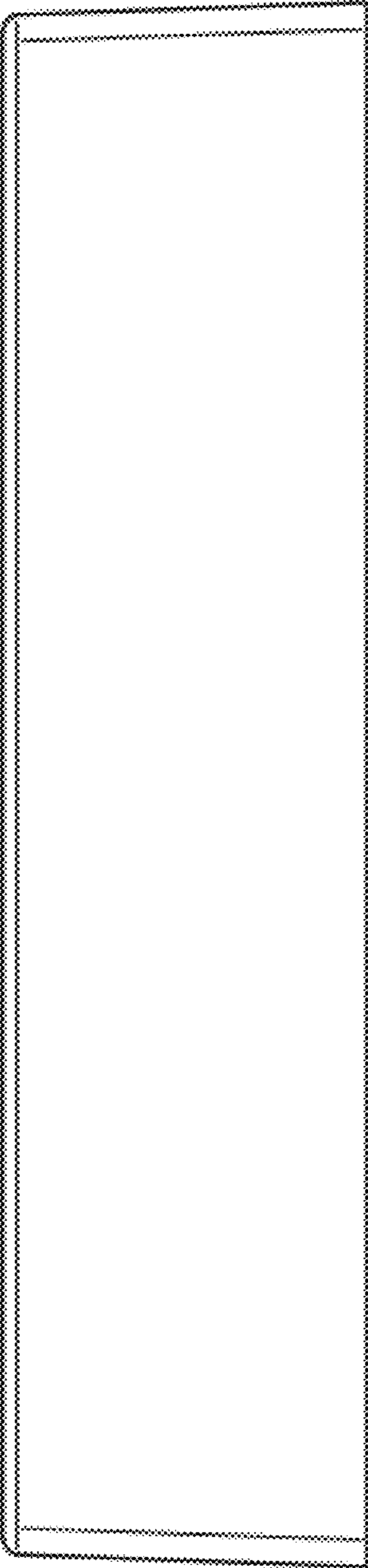


FIG. 3

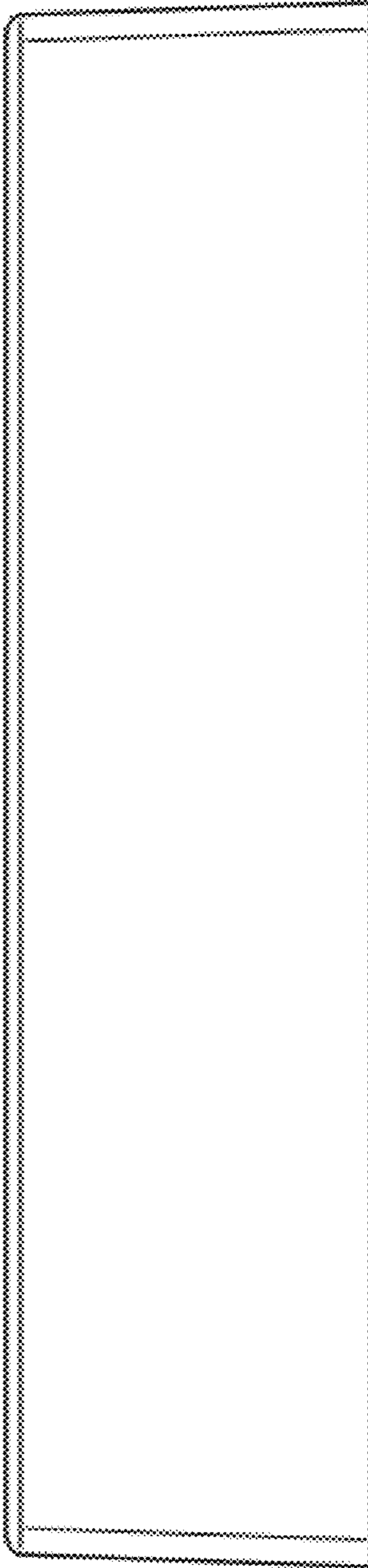


FIG. 4

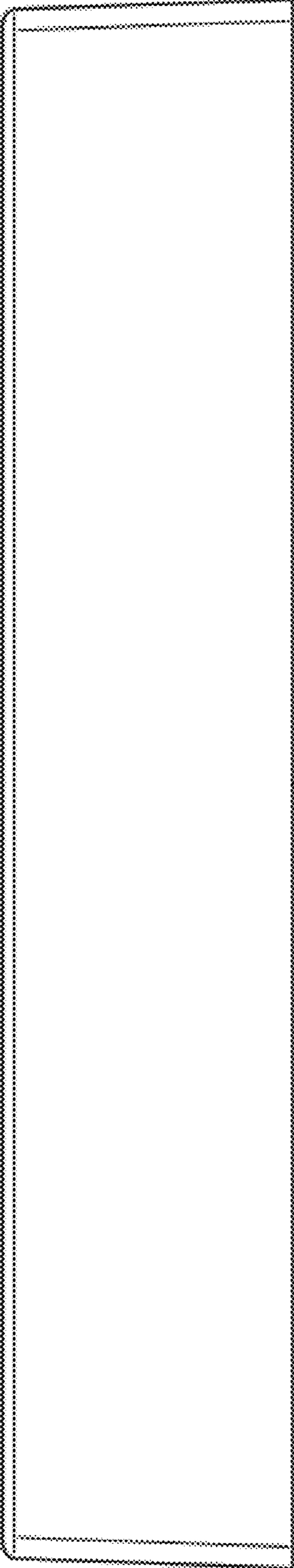


FIG. 5

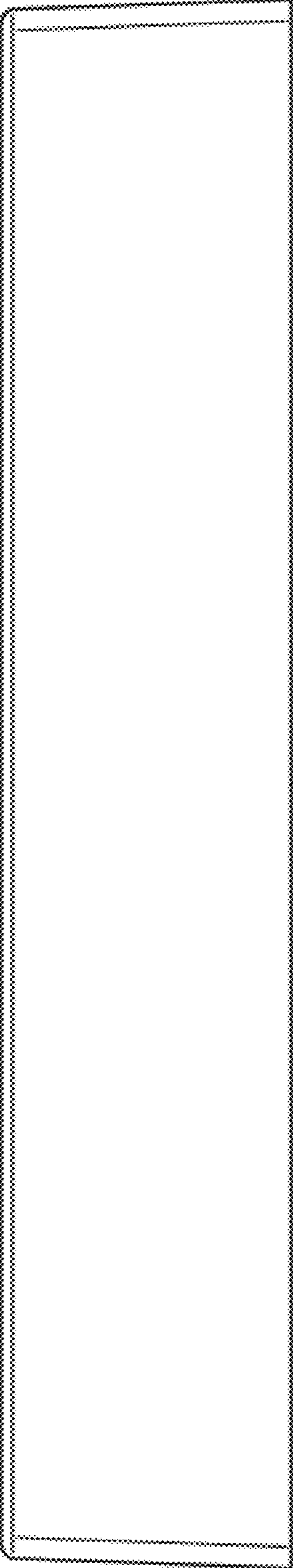


FIG. 6

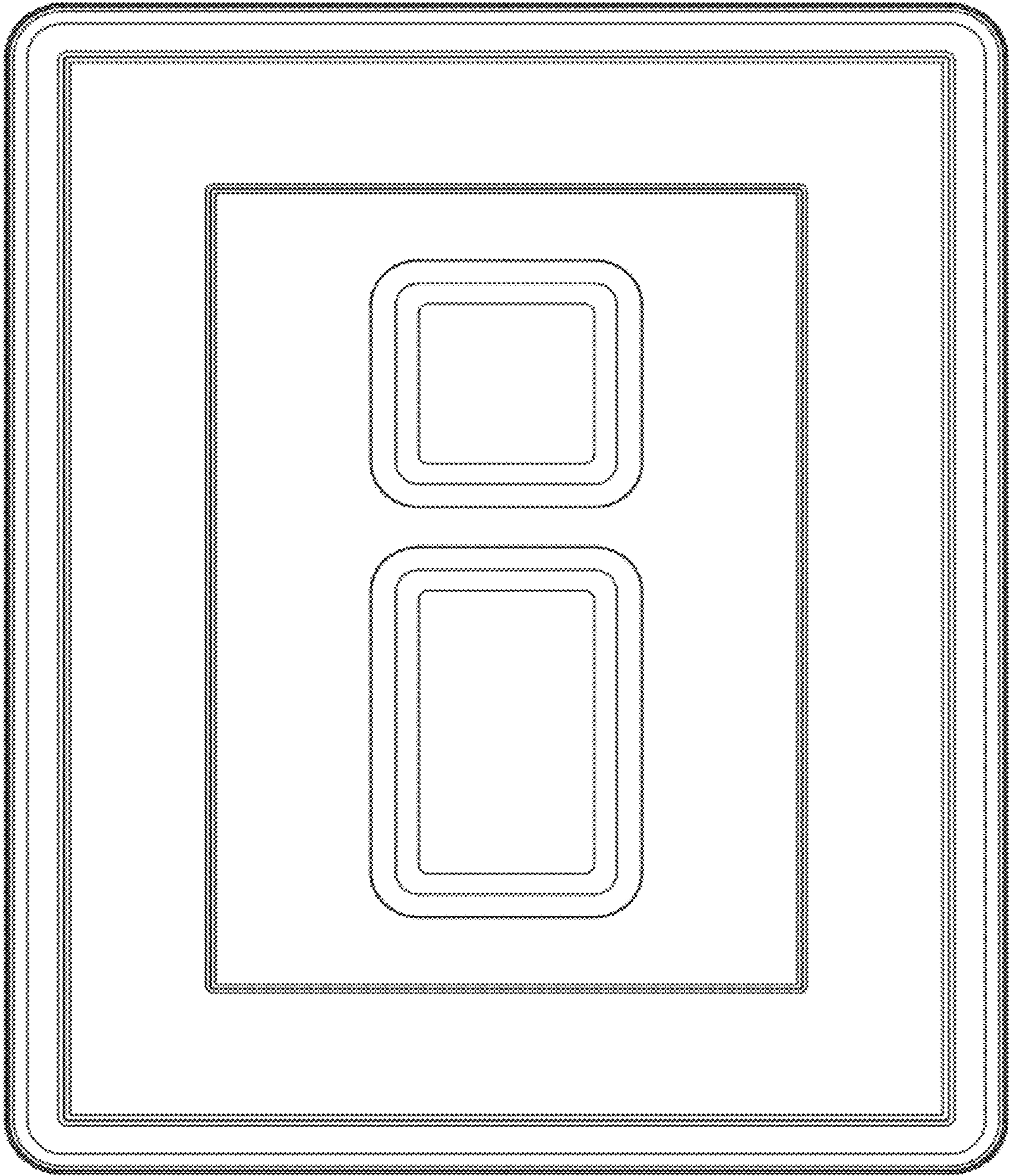


FIG. 7

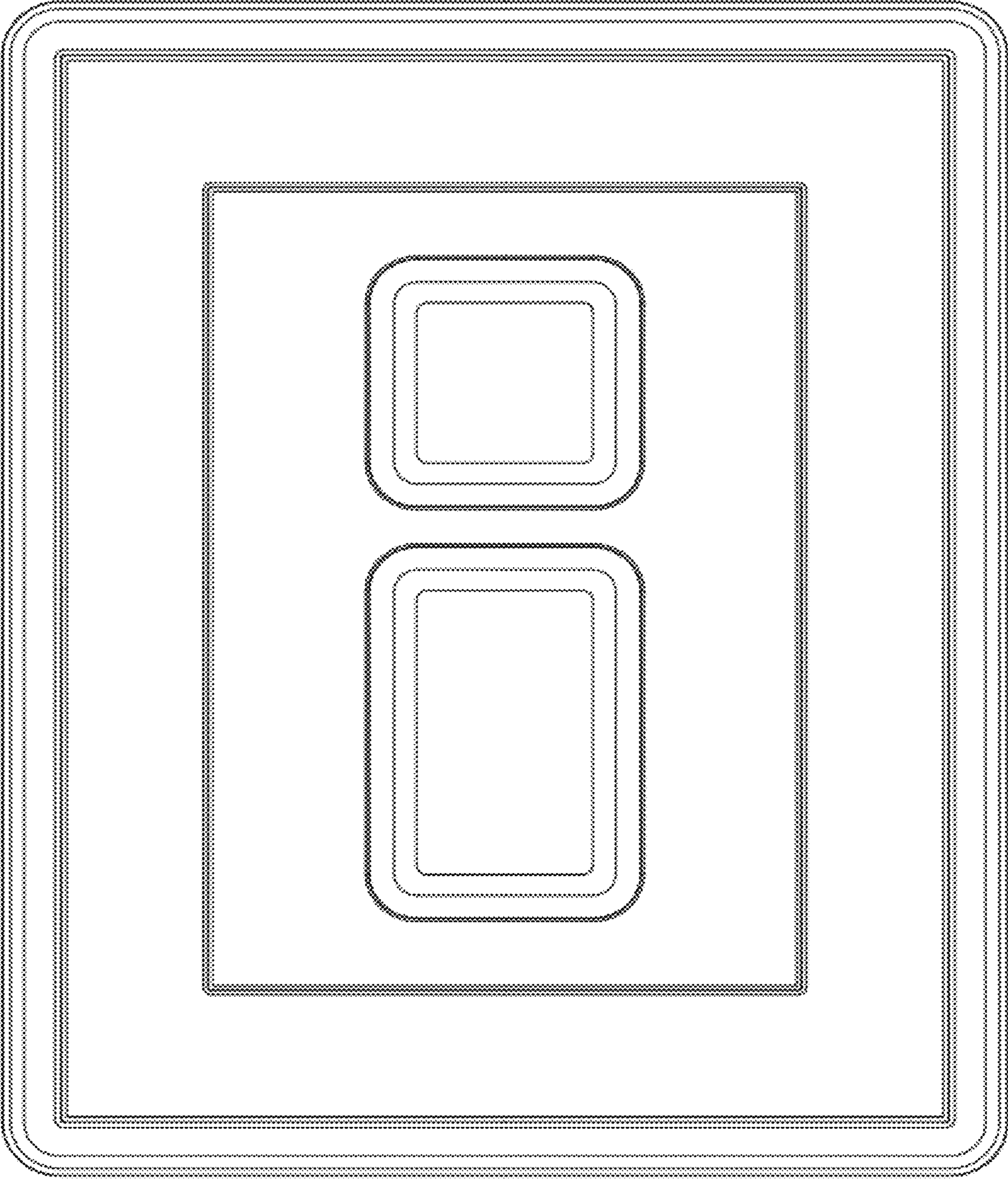


FIG. 8