



US00D674708S

(12) **United States Design Patent**  
**Dietvorst**

(10) **Patent No.:** **US D674,708 S**

(45) **Date of Patent:** **\*\* Jan. 22, 2013**

(54) **DISPENSER CONTAINER**

(75) Inventor: **Taco Dietvorst**, Eindhoven (NL)

(73) Assignee: **Reckitt Benckiser LLC**, Parsippany, NJ (US)

(\*\*) Term: **14 Years**

(21) Appl. No.: **29/387,052**

(22) Filed: **Mar. 8, 2011**

(51) **LOC (9) Cl.** ..... **09-01**

(52) **U.S. Cl.** ..... **D9/734**

(58) **Field of Classification Search** ..... D9/500,  
D9/501, 503, 504, 529, 531, 537, 730, 734,  
D9/763, 772, 779, 780; 206/210; 312/34.4;  
426/35; 220/258.3; 604/289; D6/512, 515,  
D6/518, 522, 523

See application file for complete search history.

(56) **References Cited**

U.S. PATENT DOCUMENTS

D523,668 S *	6/2006	Azrak	.....	D6/518
D568,764 S *	5/2008	Rankin	.....	D9/734
7,766,168 B2 *	8/2010	Thrapp et al.	.....	206/496
D643,748 S *	8/2011	Dietvorst	.....	D9/734
D643,749 S *	8/2011	Dietvorst	.....	D9/734
D643,750 S *	8/2011	Dietvorst	.....	D9/734
D646,982 S *	10/2011	Dietvorst	.....	D9/734
2008/0041851 A1 *	2/2008	Thrapp	.....	220/229
2008/0099596 A1 *	5/2008	DeMaso et al.	.....	242/588.3

\* cited by examiner

*Primary Examiner* — Thomas Johannes

(74) *Attorney, Agent, or Firm* — Norris McLaughlin & Marcus PA

(57) **CLAIM**

The ornamental design for a design for dispenser container, as shown and described.

**DESCRIPTION**

FIG. 1 is a front perspective view of a first embodiment of my dispenser container;  
FIG. 2 is a rear elevation view thereof;  
FIG. 3 is a front elevation view thereof;  
FIG. 4 is a right side elevation view thereof;  
FIG. 5 is a left side elevation view thereof;  
FIG. 6 is a top plan view thereof;  
FIG. 7 is a bottom plan view thereof;  
FIG. 8 is a front perspective view of a second embodiment of my dispenser container;  
FIG. 9 is a rear elevation view thereof;  
FIG. 10 is a front elevation view thereof;  
FIG. 11 is a right side elevation view thereof;  
FIG. 12 is a left side elevation view thereof;  
FIG. 13 is a top plan view thereof; and,  
FIG. 14 is a bottom plan view thereof.  
The broken lines shown show unclaimed subject matter only, and form no part of the claimed design.

**1 Claim, 6 Drawing Sheets**

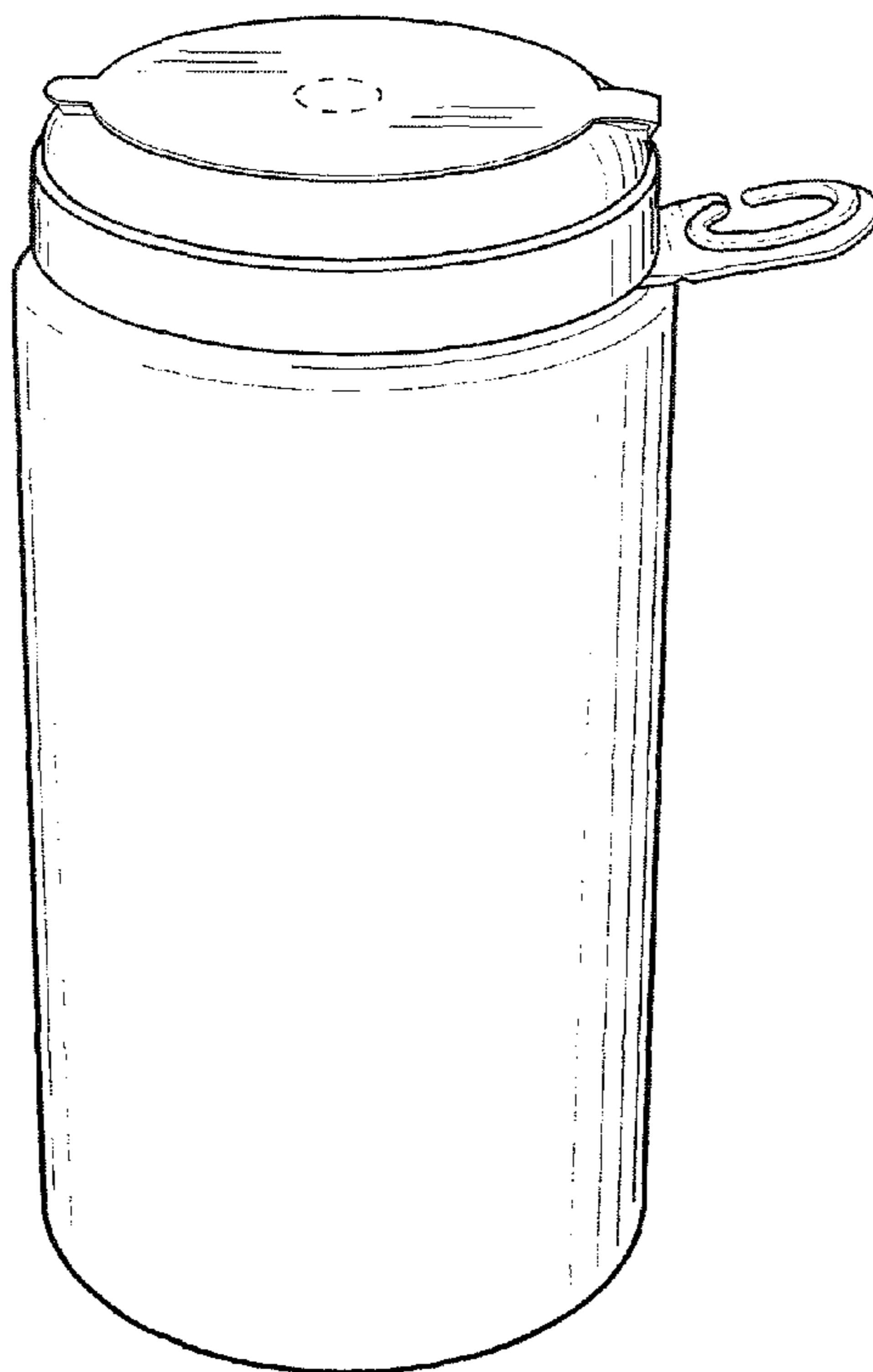


FIG. 2

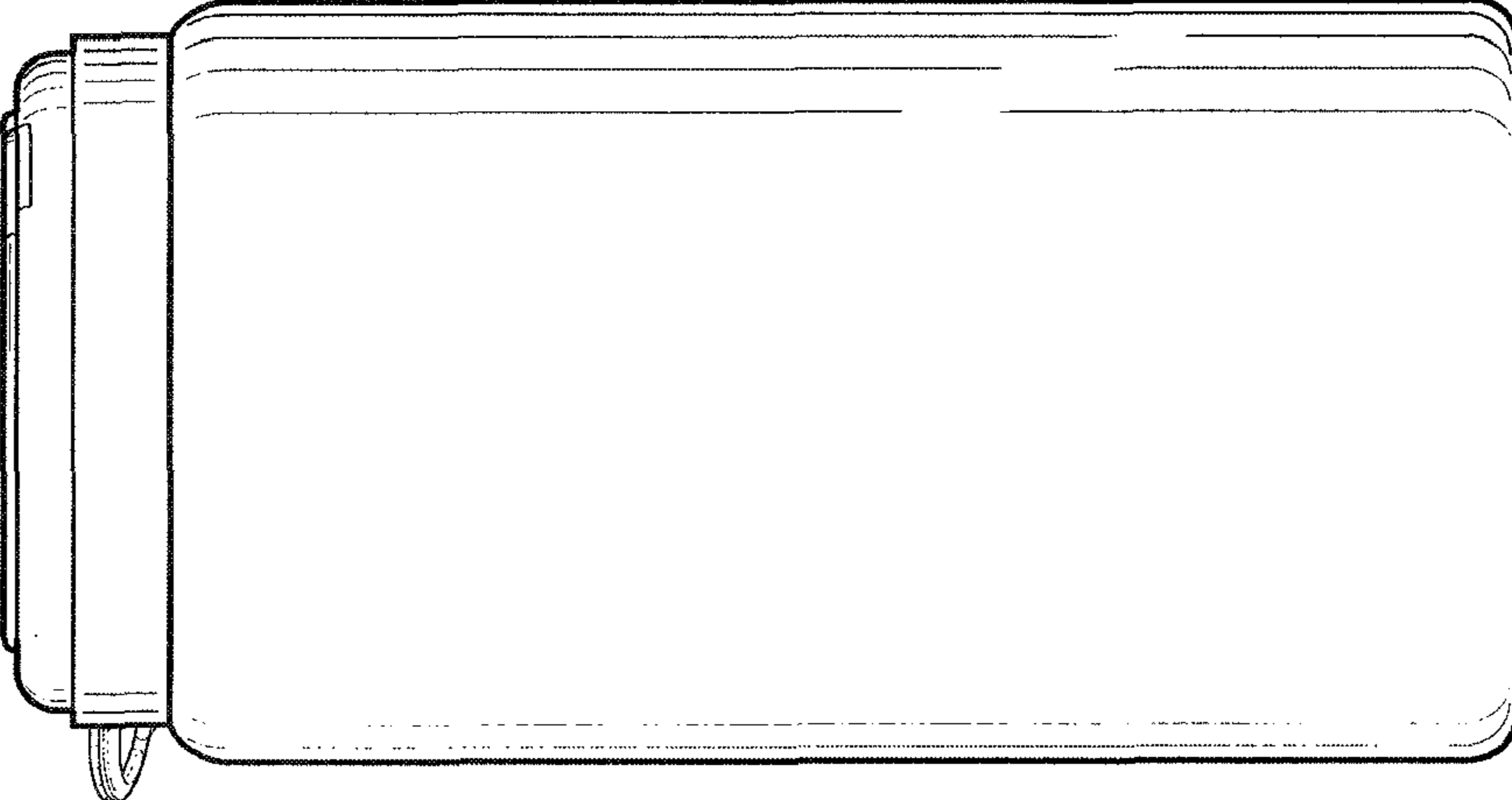


FIG. 1

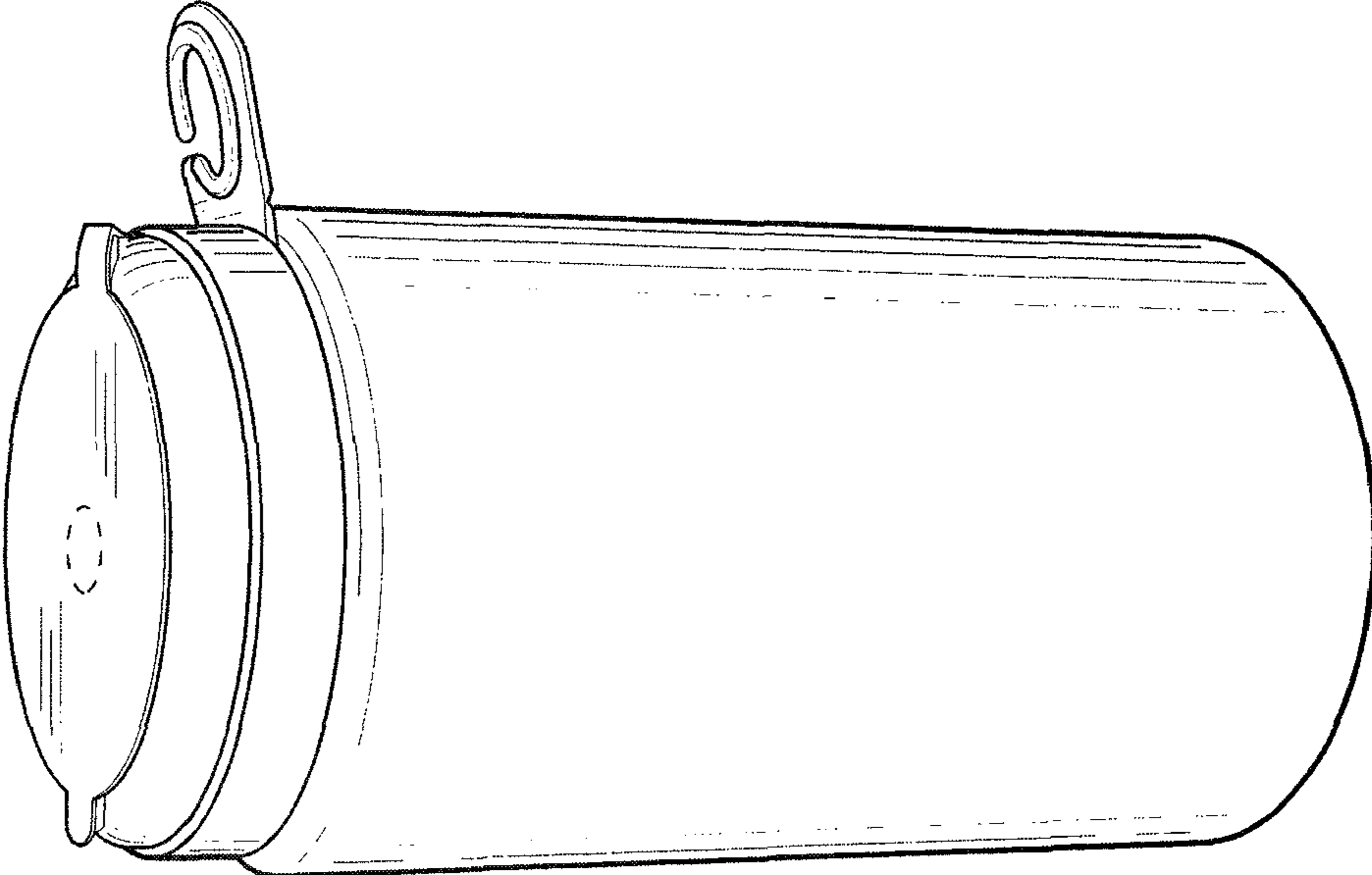


FIG. 4

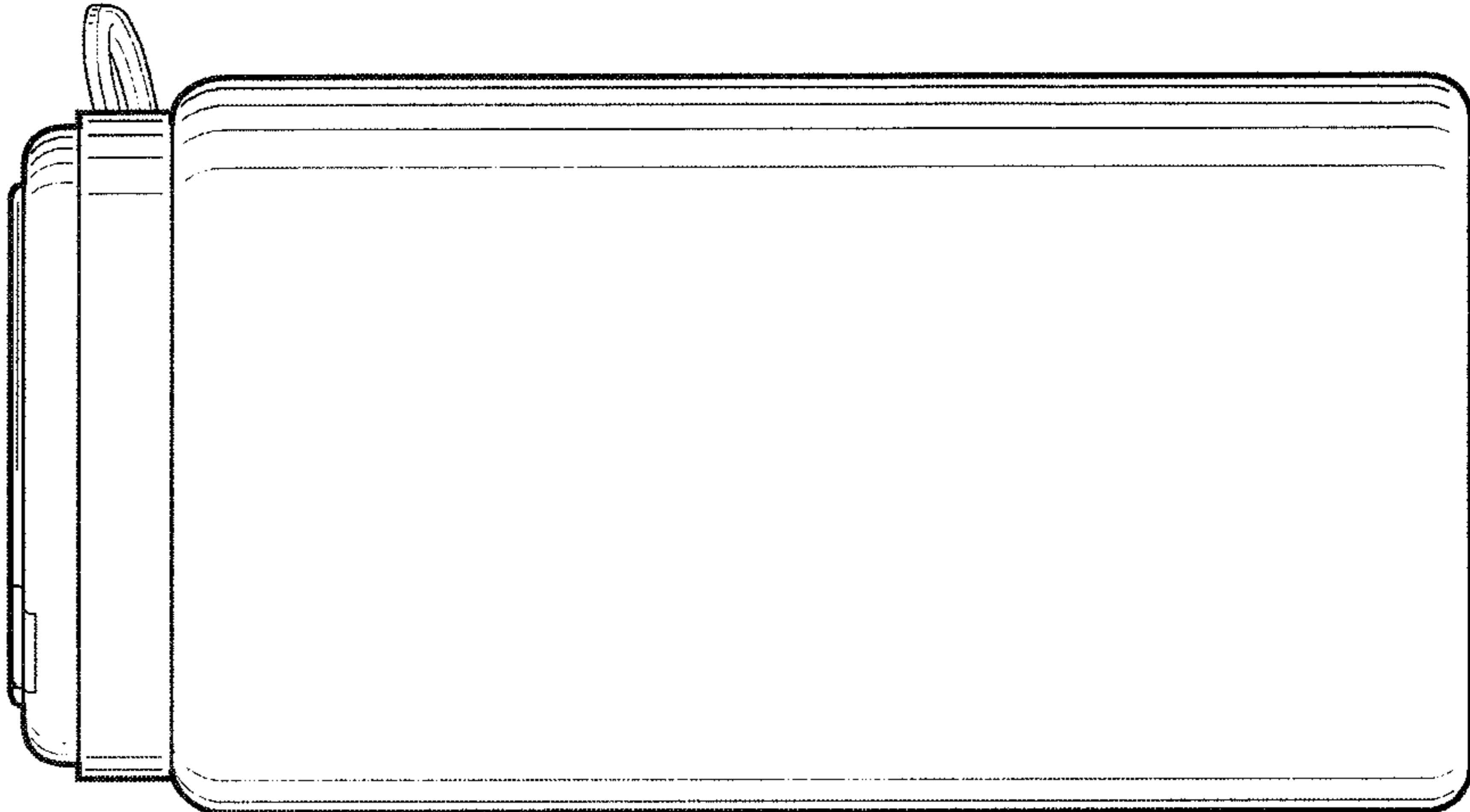


FIG. 3

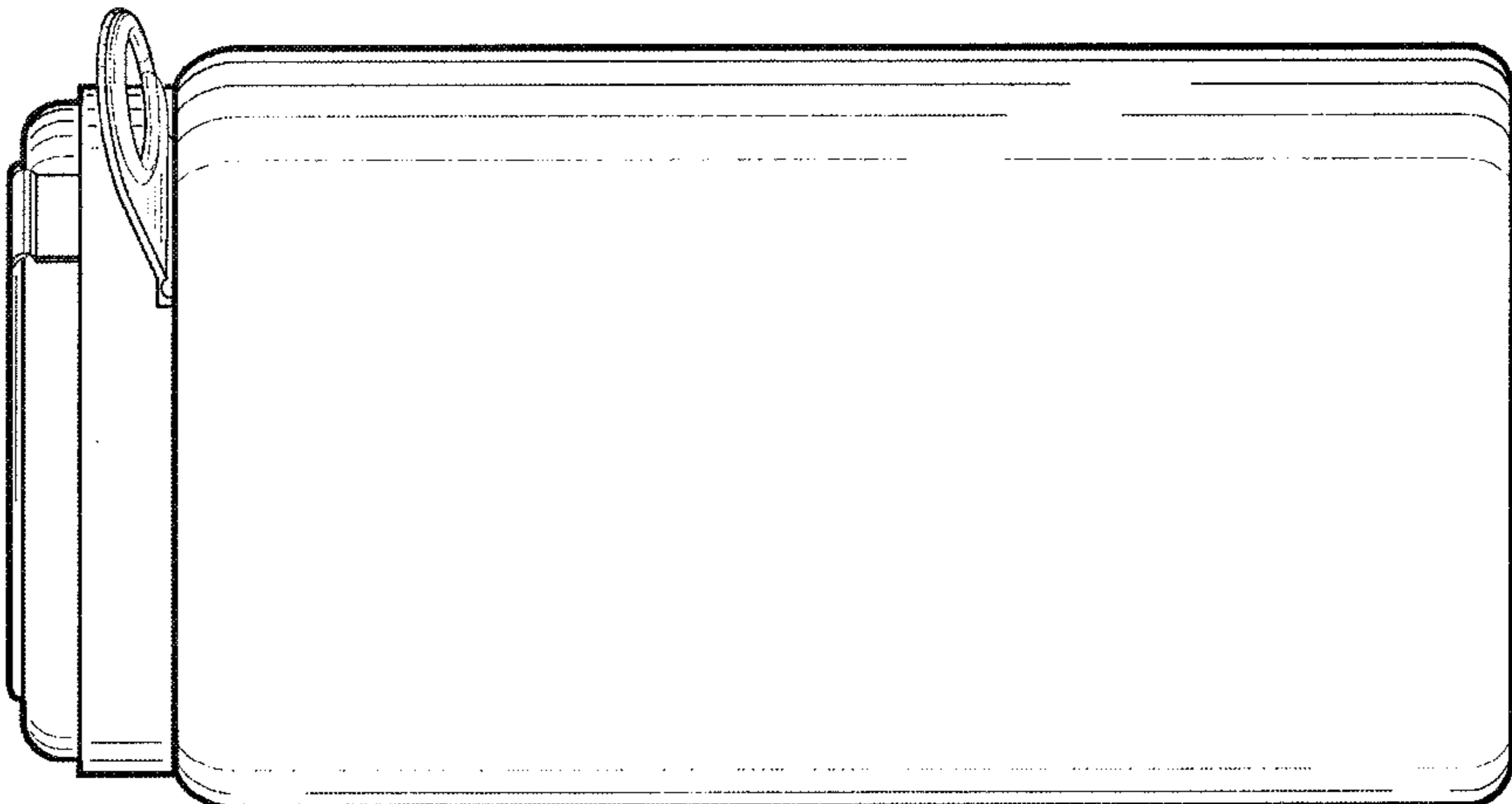


FIG. 5

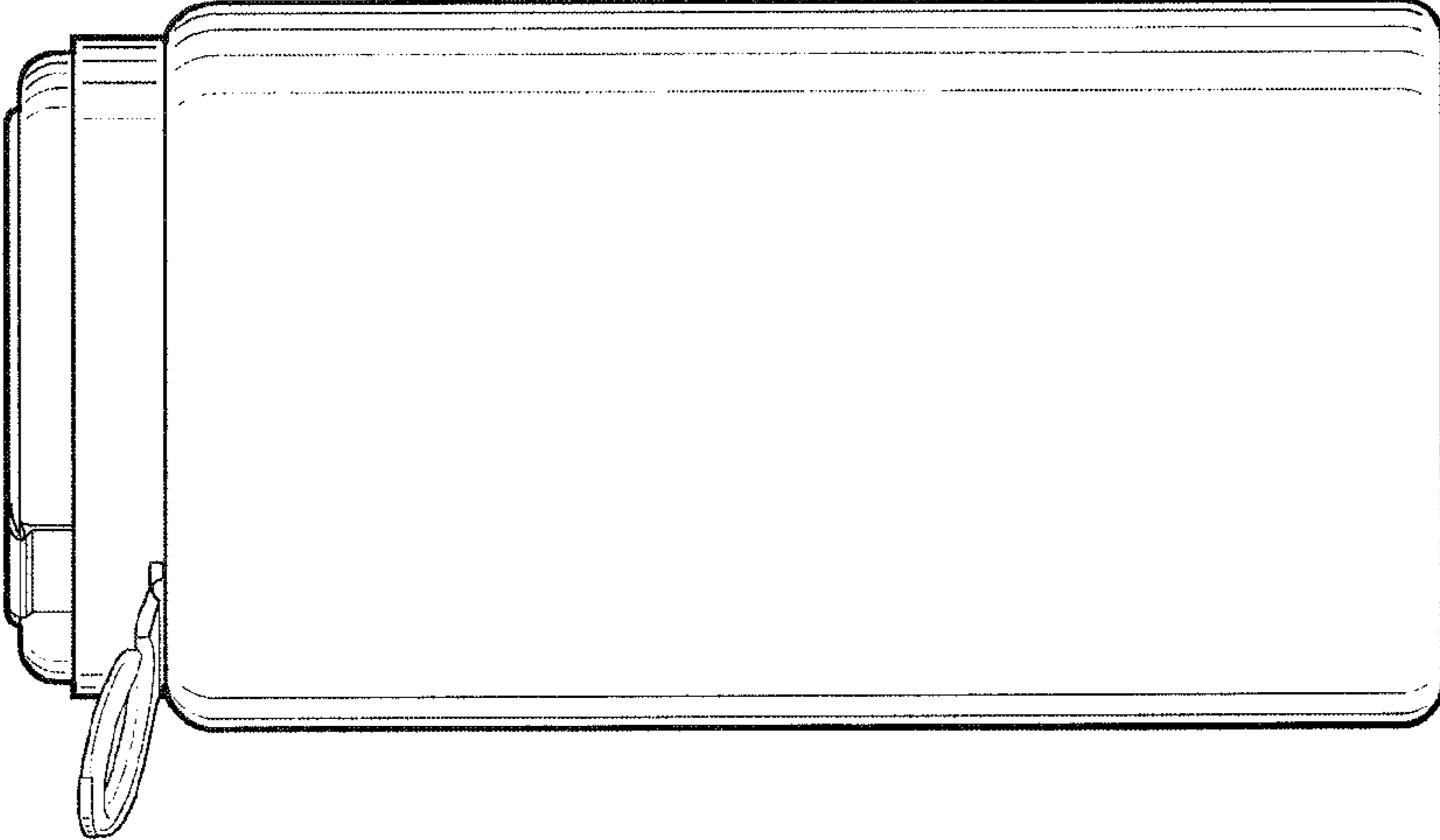


FIG. 6

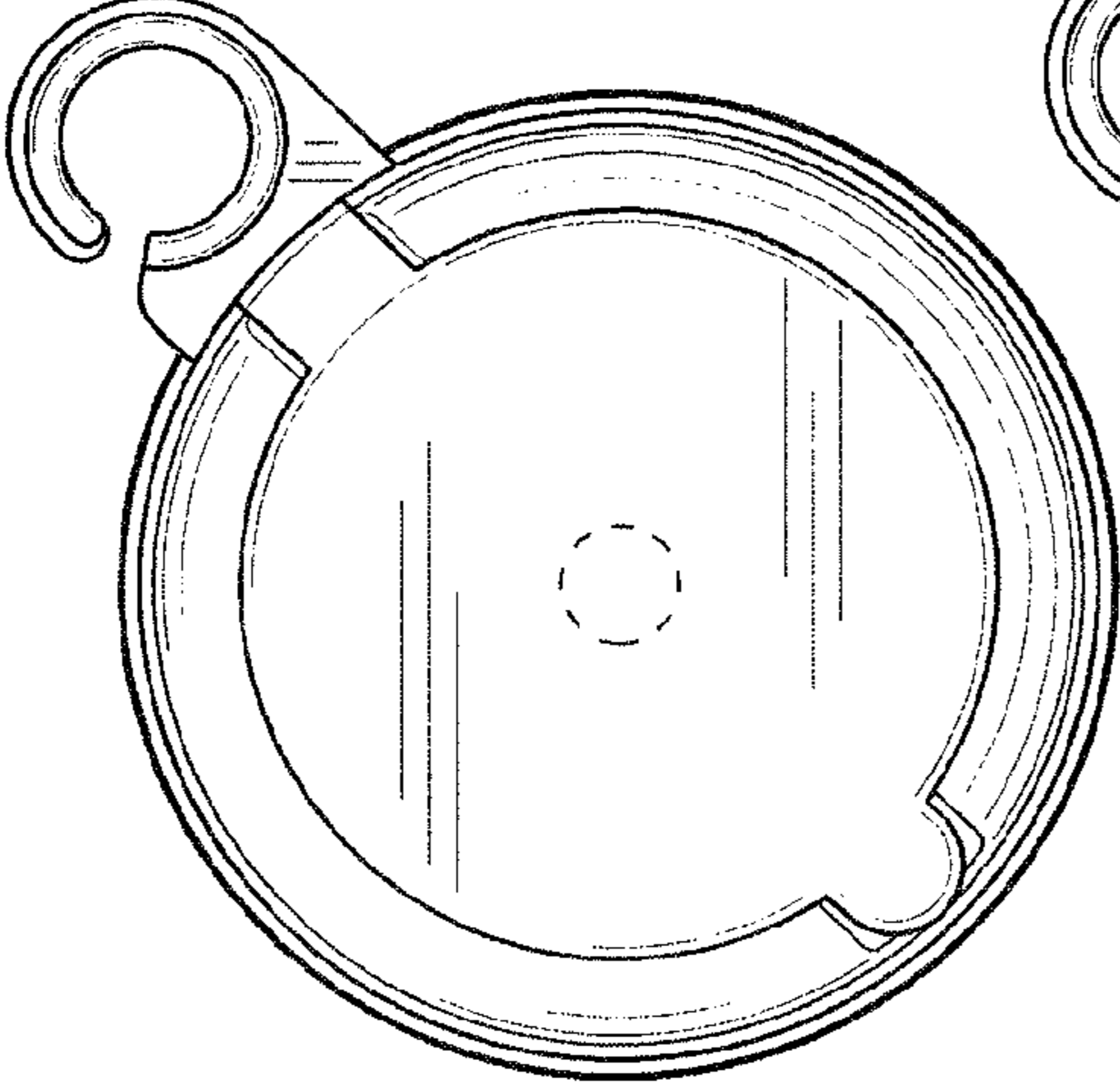


FIG. 7

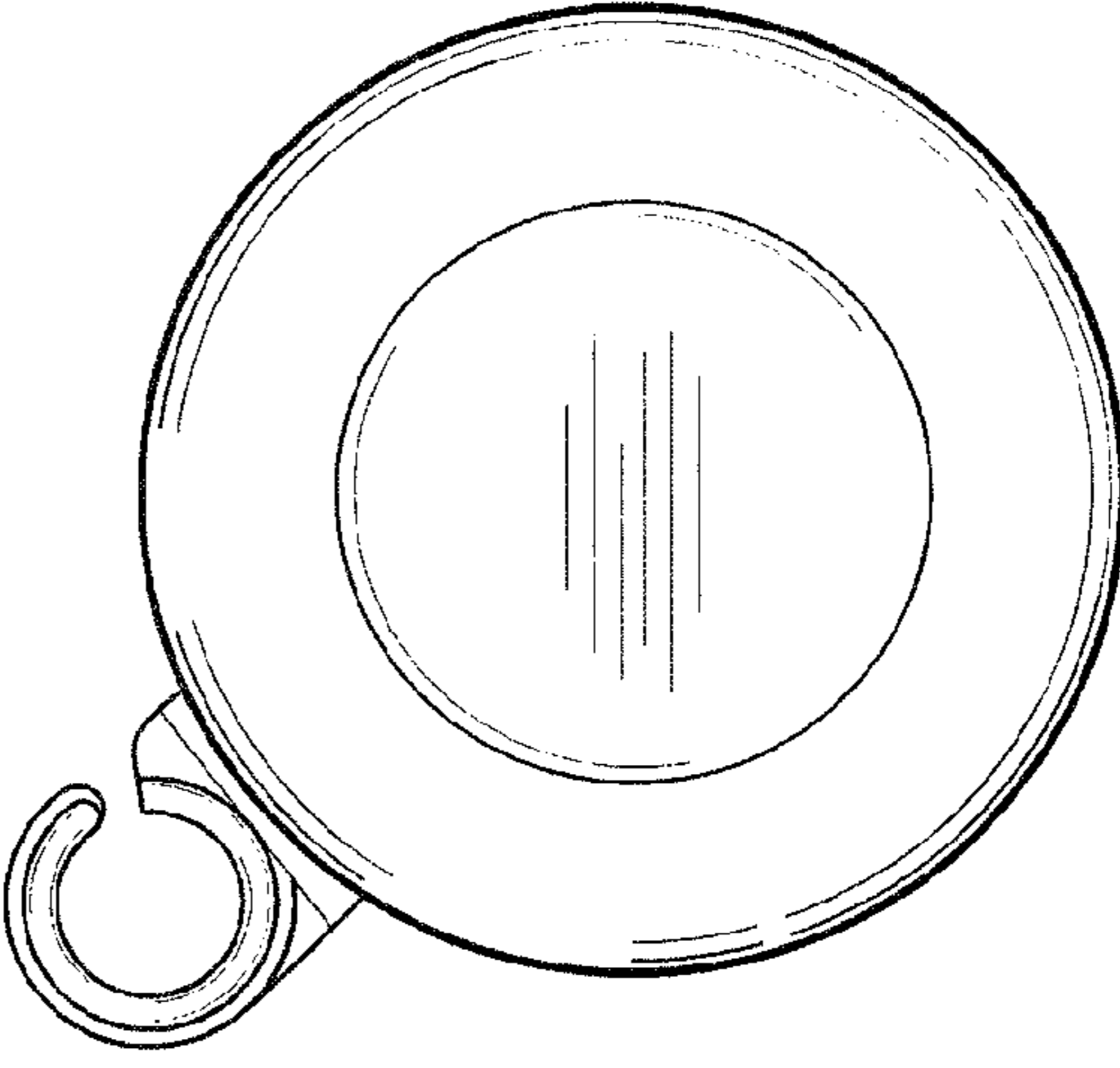


FIG. 9

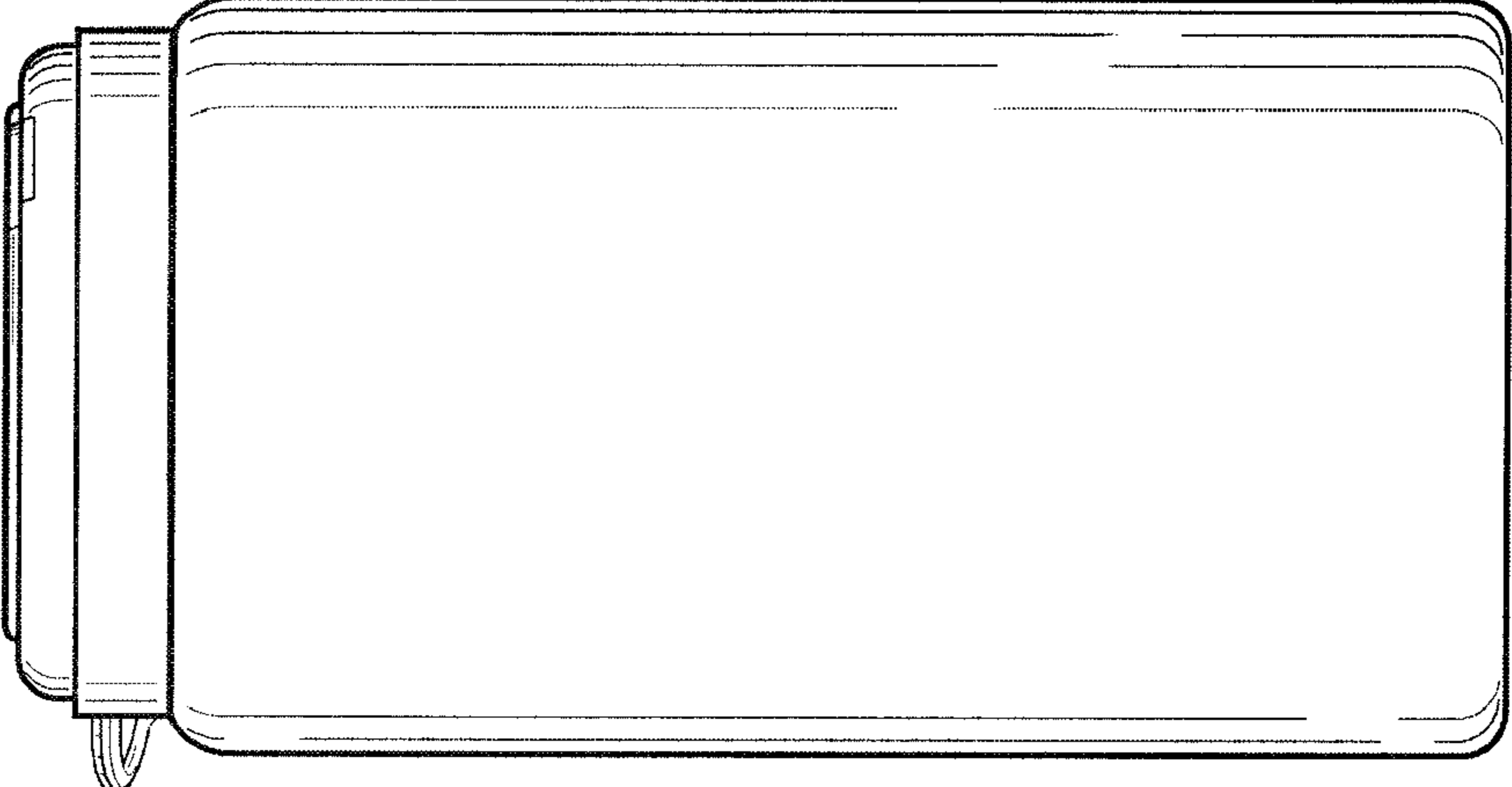


FIG. 8

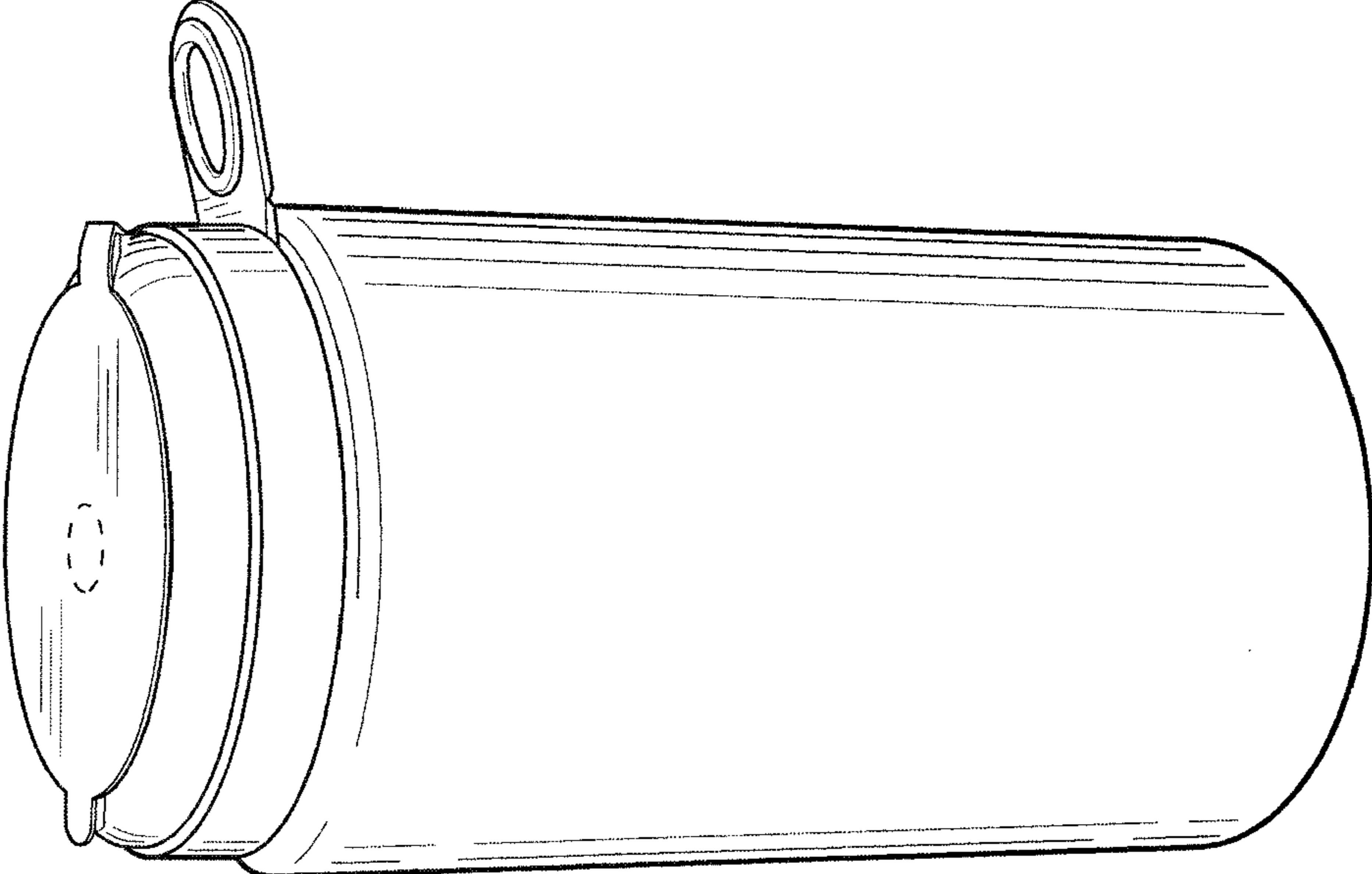


FIG. 11

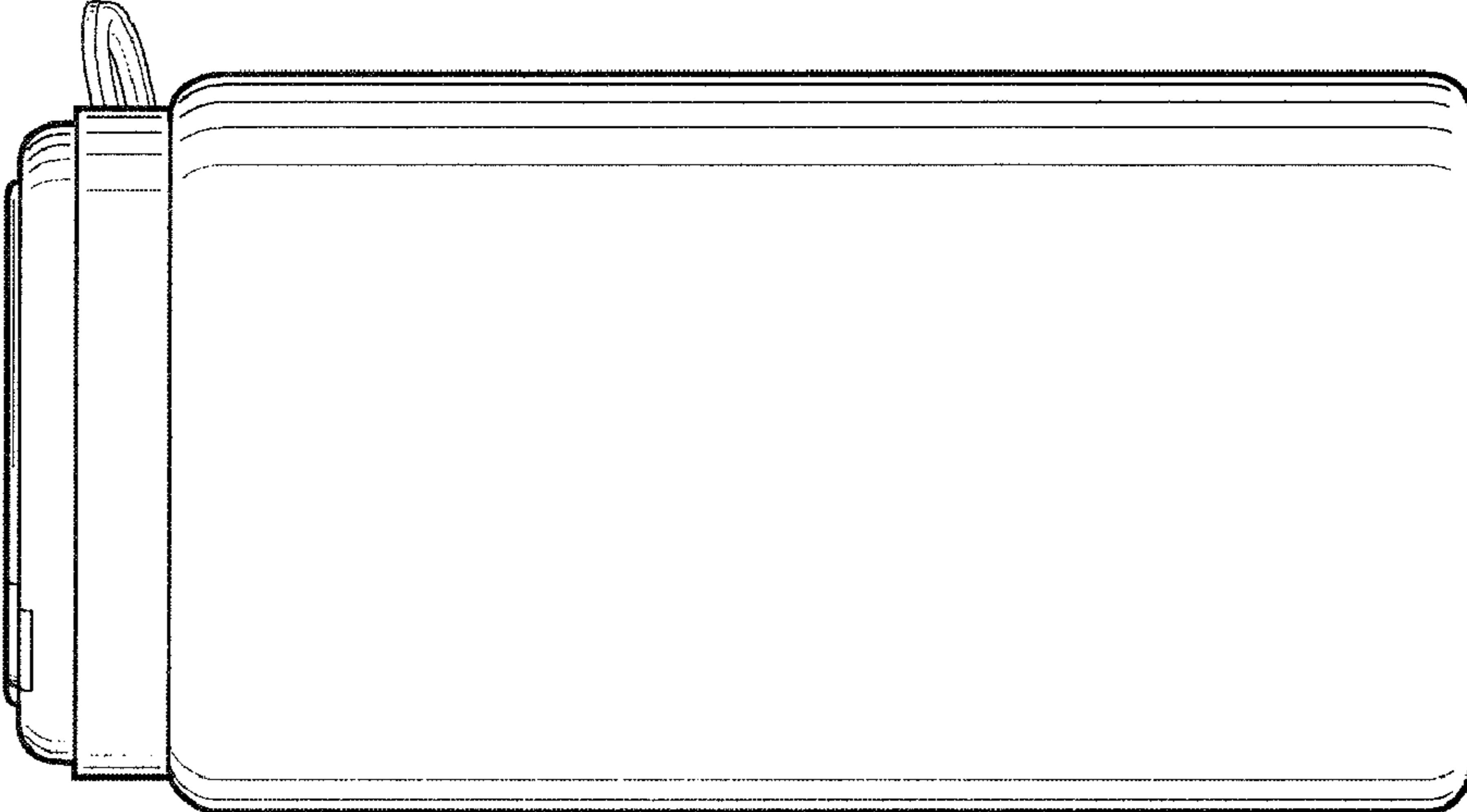
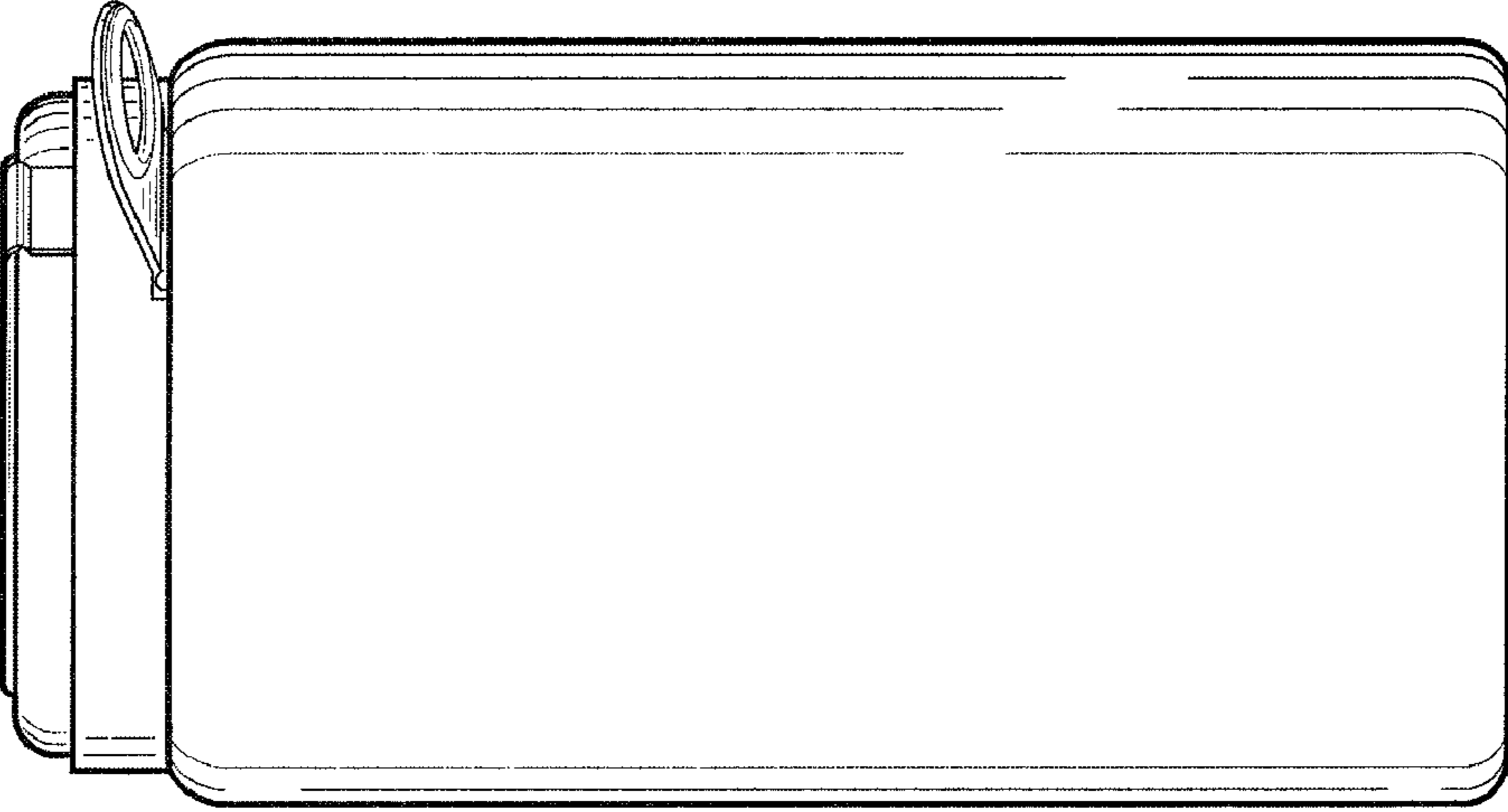
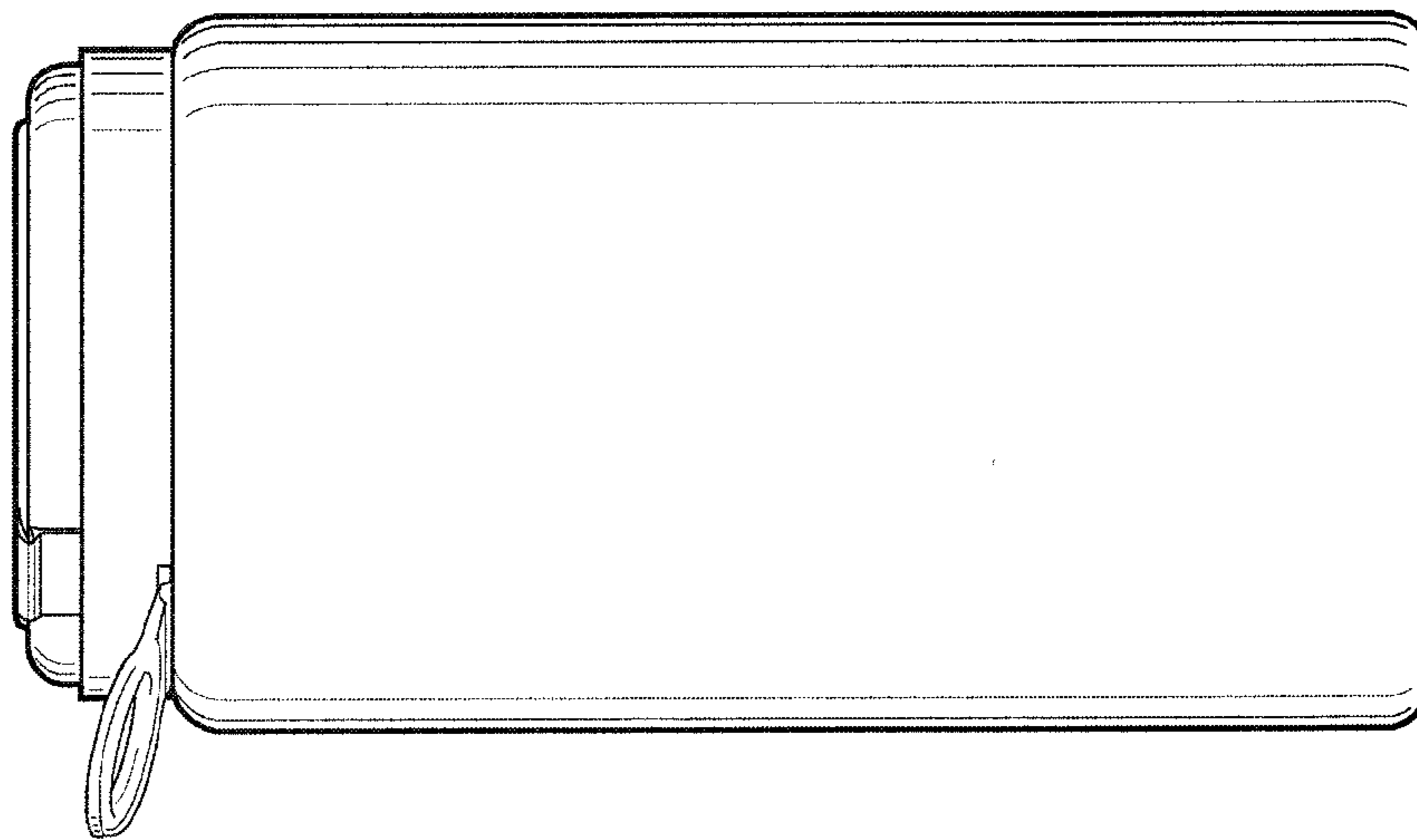


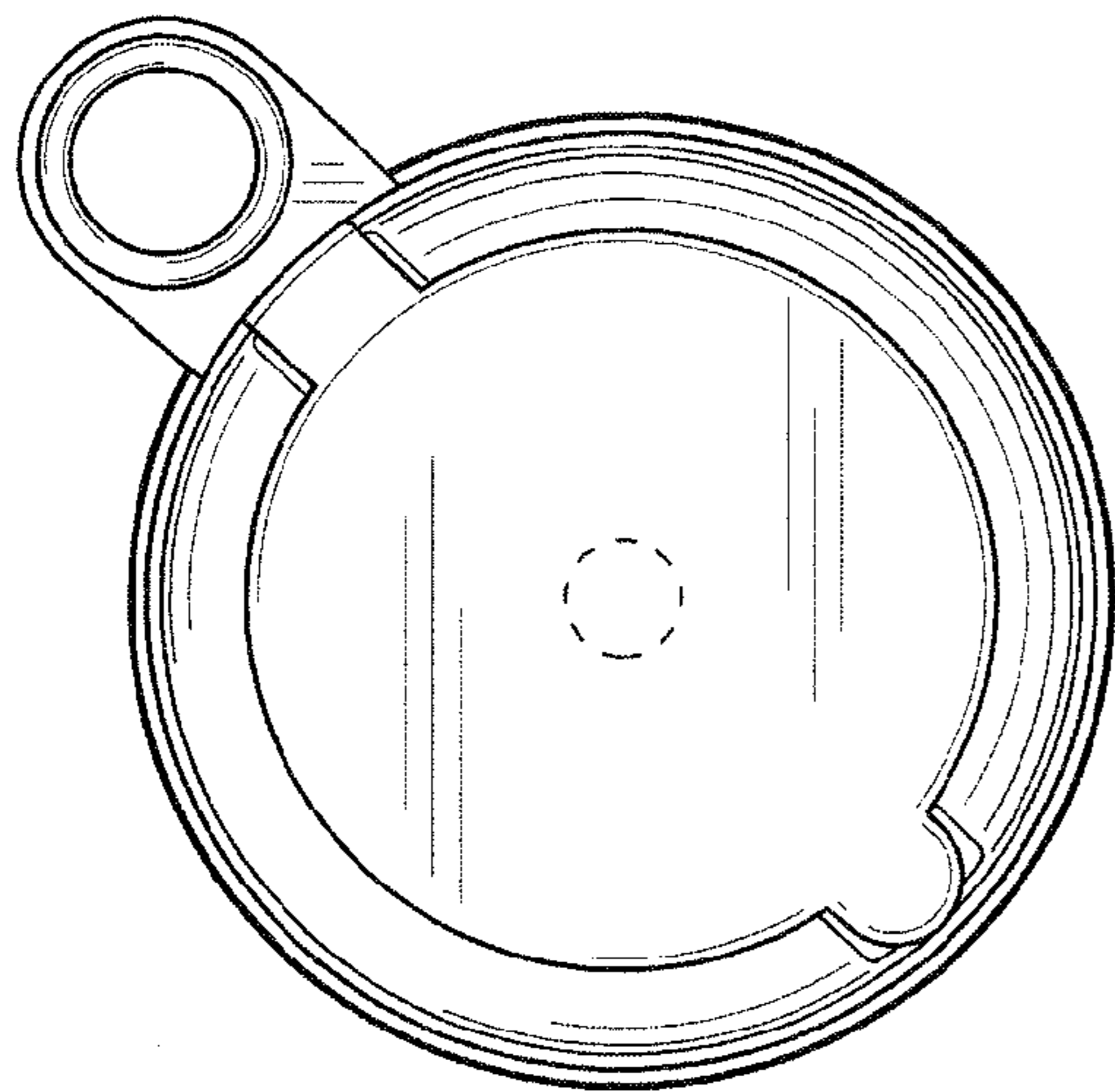
FIG. 10



**FIG. 12**



**FIG. 13**



**FIG. 14**

