



US00D674698S

(12) **United States Design Patent**  
**Mongeon et al.**

(10) **Patent No.:** **US D674,698 S**  
(45) **Date of Patent:** **\*\* Jan. 22, 2013**

(54) **CONTAINER**

(75) Inventors: **Murphy Greene Mongeon**, Baltimore, MD (US); **Ian Andrew Carnduff**, New York, NY (US); **Akina Kurihara**, Brooklyn, NY (US)

(73) Assignee: **The Procter & Gamble Company**, Cincinnati, OH (US)

(\*\*) Term: **14 Years**

(21) Appl. No.: **29/384,654**

(22) Filed: **Feb. 2, 2011**

(51) **LOC (9) Cl.** ..... **09-01**

(52) **U.S. Cl.** ..... **D9/504**

(58) **Field of Classification Search** ..... D9/500, D9/502-505, 516, 51, 537-540, 545-546, D9/549-550, 557-558, 682, 686, 688-692, D9/763-764, 772-773, 776-777, 905; D7/300, D7/300.1, 589, 591, 598, 601, 605, 608; 215/379, 381-384; 220/660, 662, 669-673, 220/675; D28/4, 9, 73, 76, 83, 91

See application file for complete search history.

(56) **References Cited**

**U.S. PATENT DOCUMENTS**

D218,399 S *	8/1970	Campbell	.....	D9/504
D227,003 S *	5/1973	Graham	.....	D9/504
D258,199 S	2/1981	Torongo		
D402,894 S	12/1998	Elia		
D411,747 S	6/1999	Kokenge		
D411,800 S	7/1999	Kokenge		
D419,881 S	2/2000	Kokenge		
D424,943 S	5/2000	Kokenge		
D434,667 S *	12/2000	Gobe	.....	D9/529
D435,449 S *	12/2000	Moretti	.....	D9/500
D443,040 S	5/2001	Fabian		
D445,032 S *	7/2001	Hammer	.....	D9/504
D477,225 S *	7/2003	Pinnavaia	.....	D9/454

D489,258 S	5/2004	Hollmann		
D520,370 S	5/2006	Priestman		
D524,661 S	7/2006	Blasko et al.		
D525,143 S	7/2006	Blasko et al.		
D526,211 S	8/2006	Blasko et al.		
D526,908 S	8/2006	Blasko et al.		
D527,277 S	8/2006	Blasko et al.		
D531,041 S *	10/2006	Sauer et al.	.....	D9/529
D544,368 S	6/2007	Blasko et al.		
D547,661 S	7/2007	Blasko et al.		
D558,591 S	1/2008	Blasko et al.		
D562,142 S	2/2008	Bunce		
D570,707 S	6/2008	Blasko et al.		

(Continued)

**OTHER PUBLICATIONS**

U.S. Appl. No. 29/364,903, filed Jun. 30, 2010, Murphy Greene Mongeon, et al.

U.S. Appl. No. 29/364,907, filed Jun. 30, 2010, Murphy Greene Mongeon, et al.

(Continued)

*Primary Examiner* — Ian Simmons

*Assistant Examiner* — Dana L Meyrow

(74) *Attorney, Agent, or Firm* — S. Robert Chuey

(57) **CLAIM**

The ornamental design for a container, as shown and described.

**DESCRIPTION**

FIG. 1 is a perspective view of a container showing our new design;

FIG. 2 is a front elevation view of FIG. 1;

FIG. 3 is a rear elevation view of FIG. 1;

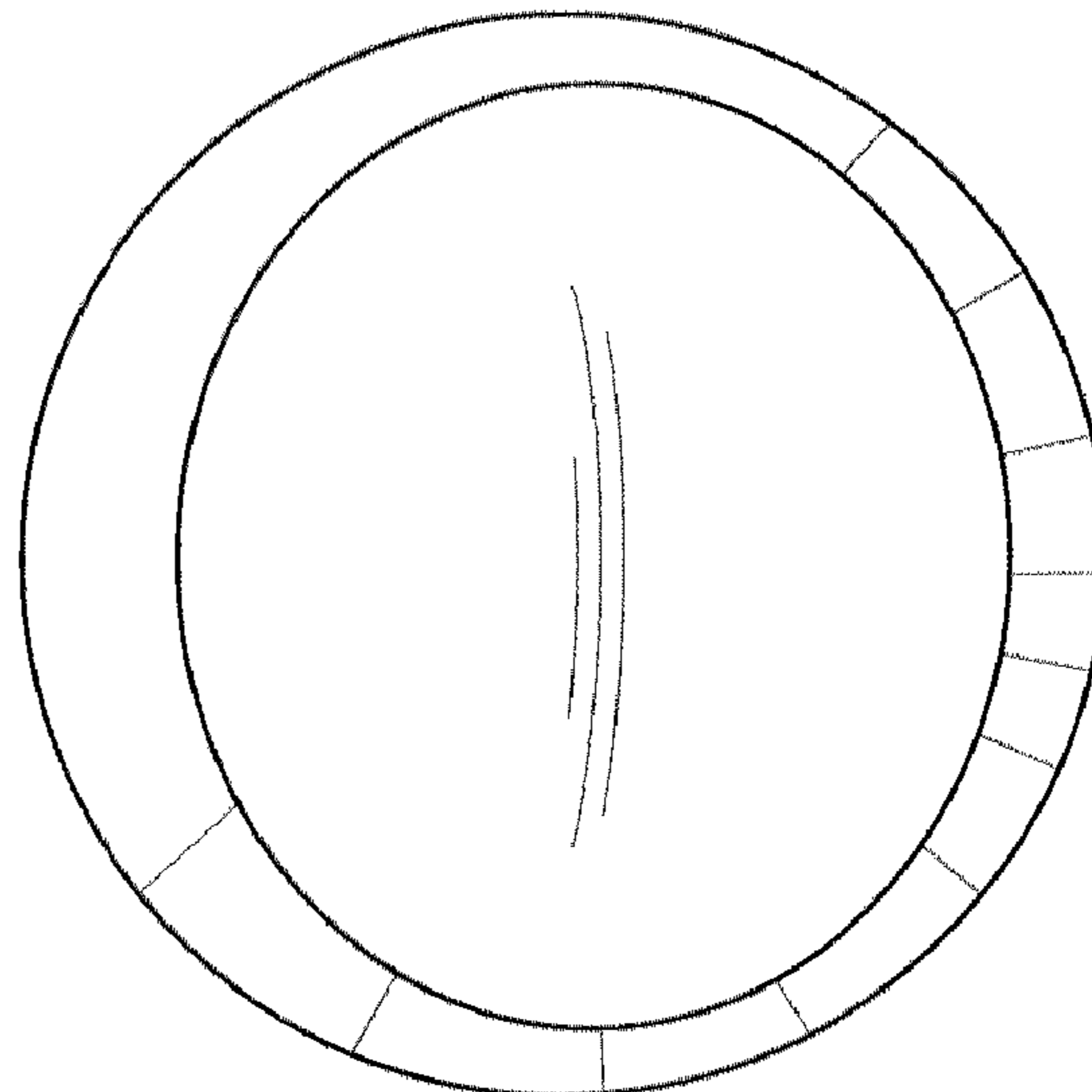
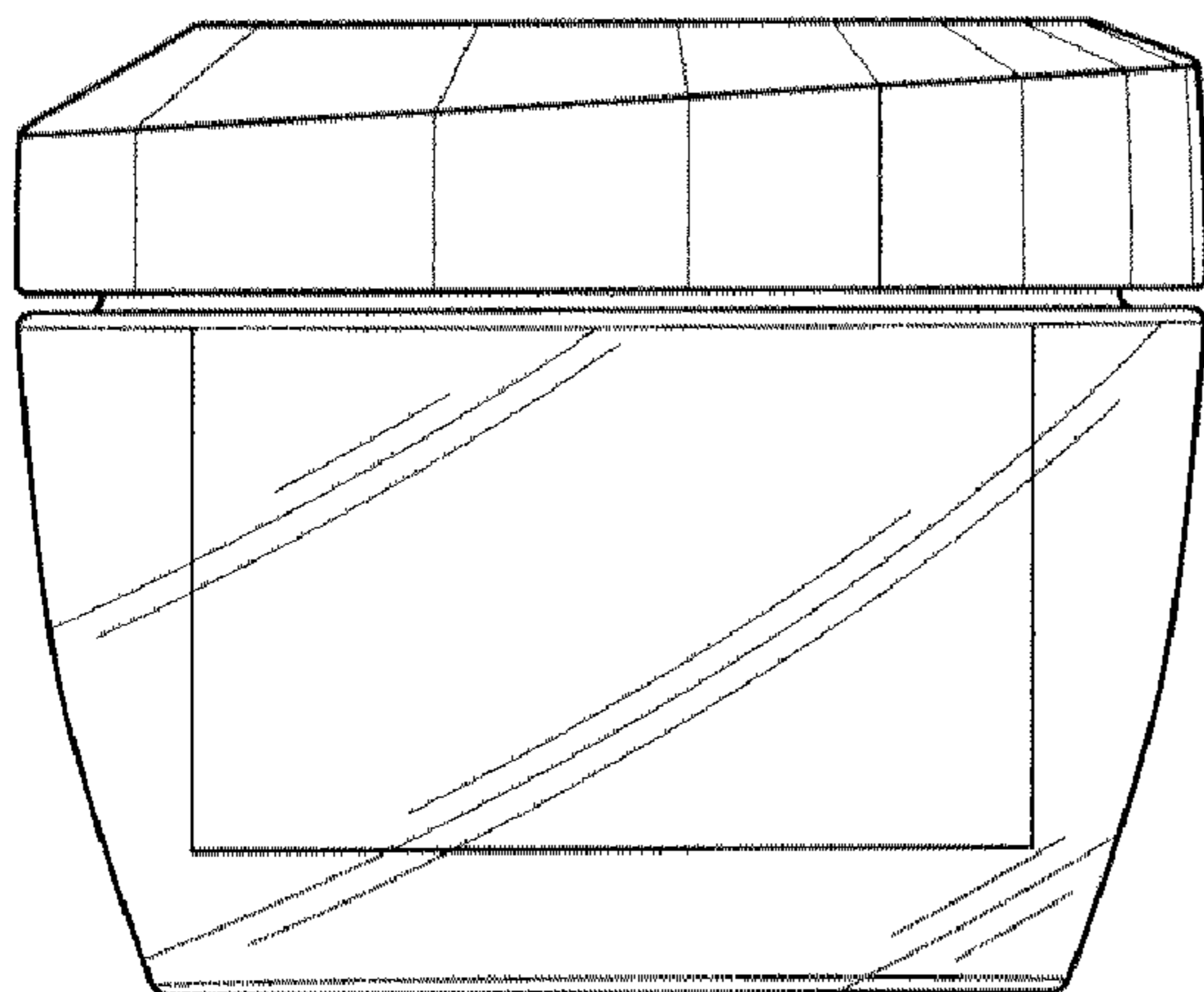
FIG. 4 is a right side elevation view of FIG. 1;

FIG. 5 is a left side elevation view of FIG. 1;

FIG. 6 is a top plan view thereof; and,

FIG. 7 is a bottom plan view thereof.

**1 Claim, 4 Drawing Sheets**



# US D674,698 S

Page 2

---

## U.S. PATENT DOCUMENTS

D615,868 S \* 5/2010 Rodriguez et al. .... D9/529  
D621,708 S \* 8/2010 Thomas et al. .... D9/500  
D634,203 S \* 3/2011 Mongeon et al. .... D9/504  
D640,925 S \* 7/2011 Rodriguez et al. .... D9/529  
D641,245 S \* 7/2011 Rodriguez et al. .... D9/529  
D649,052 S \* 11/2011 Mongeon et al. .... D9/445

## OTHER PUBLICATIONS

U.S. Appl. No. 29/364,917, filed Jun. 30, 2010, Murphy Greene  
Mongeon, et al.  
U.S. Appl. No. 29/364,921, filed Jun. 30, 2010, Murphy Greene  
Mongeon, et al.  
\* cited by examiner

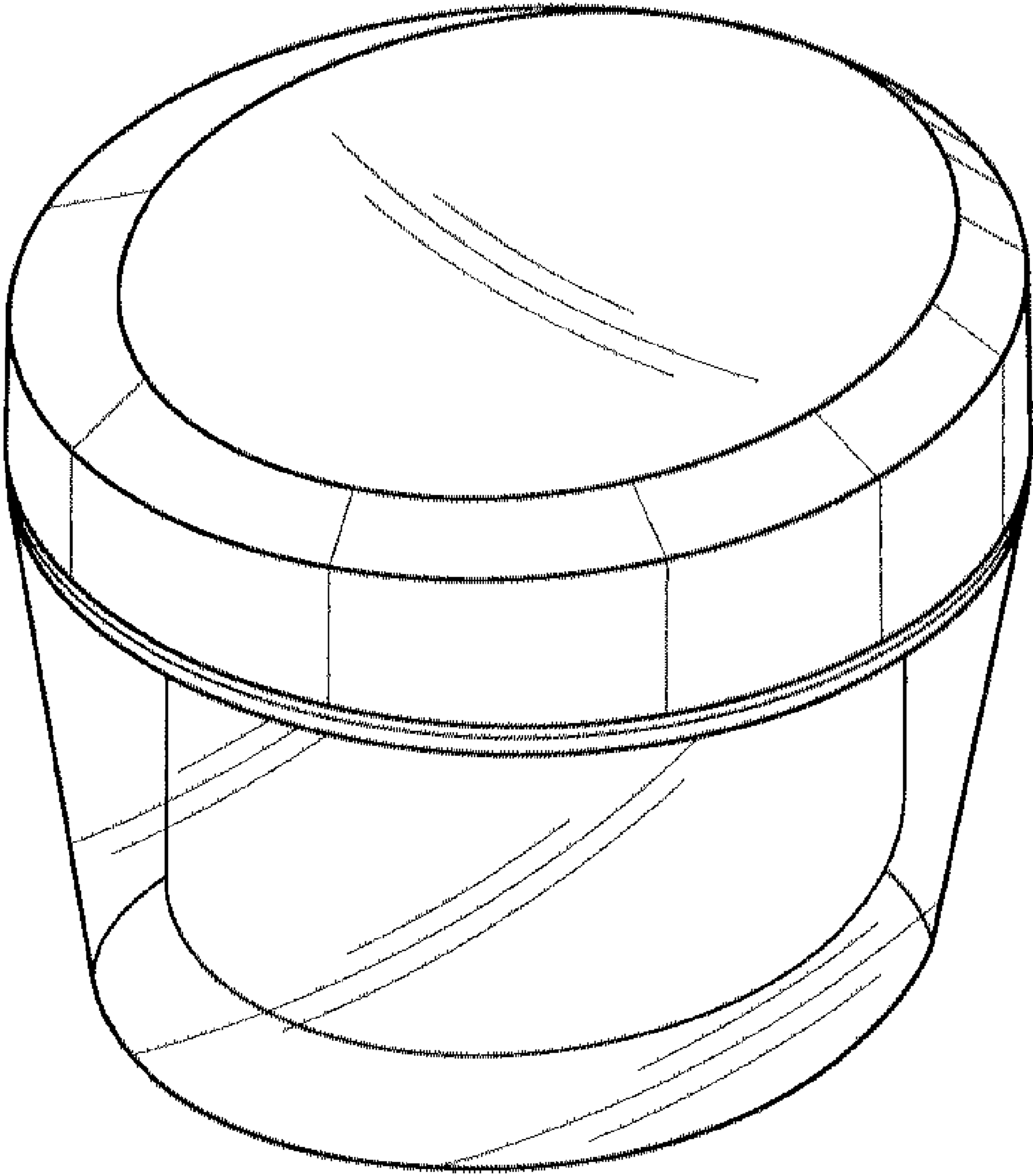


Fig. 1

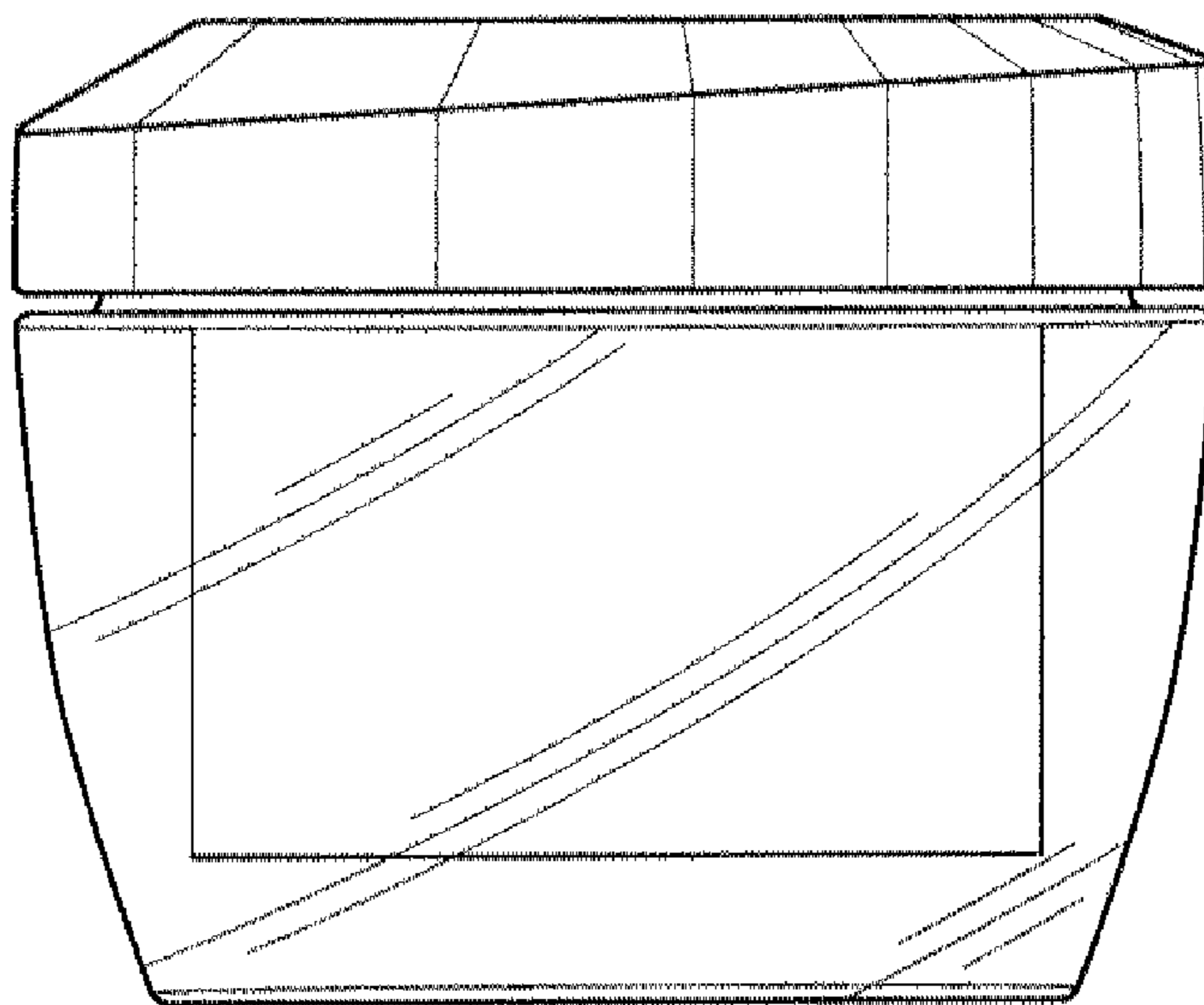


Fig. 2

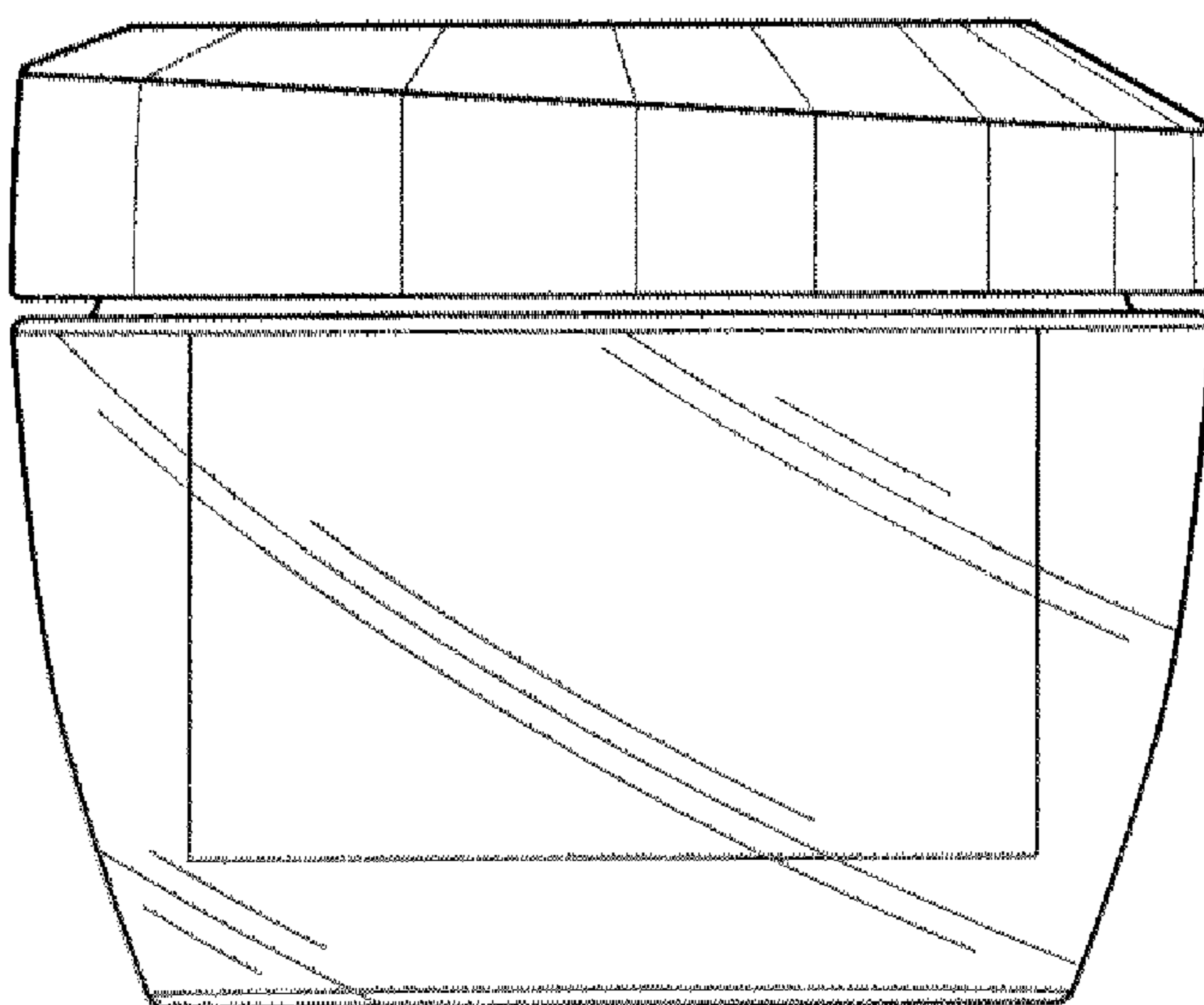


Fig. 3

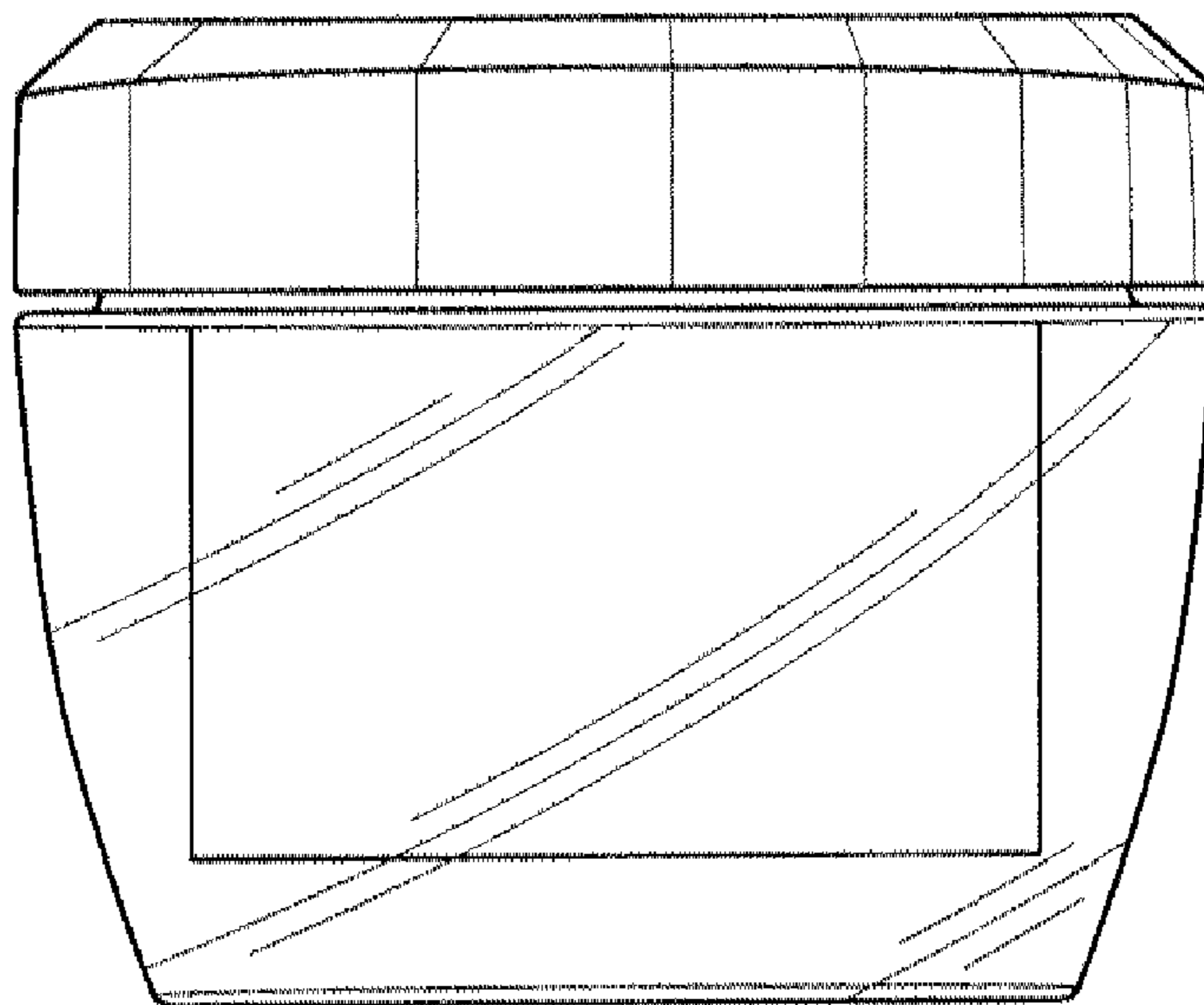


Fig. 4

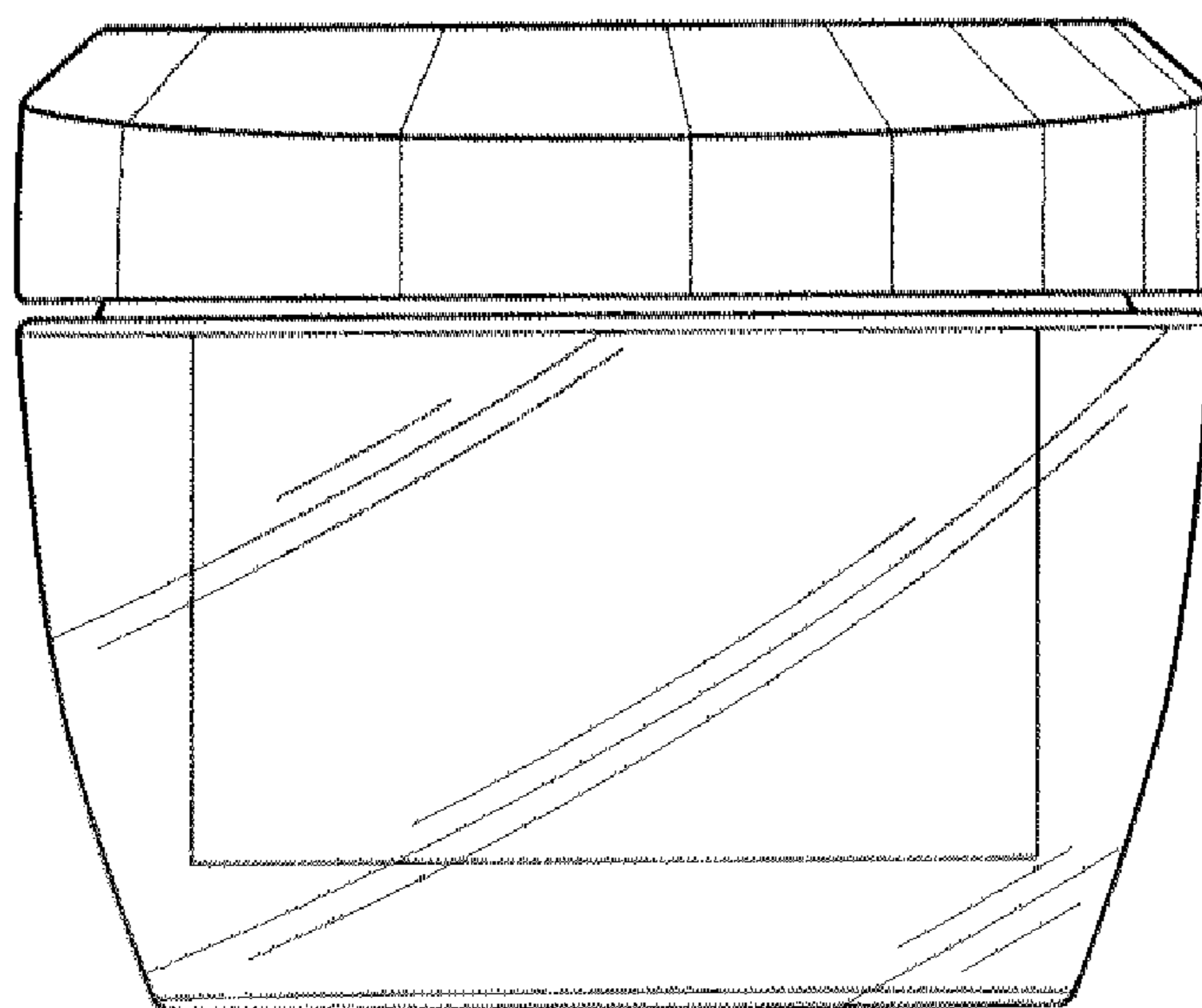


Fig. 5

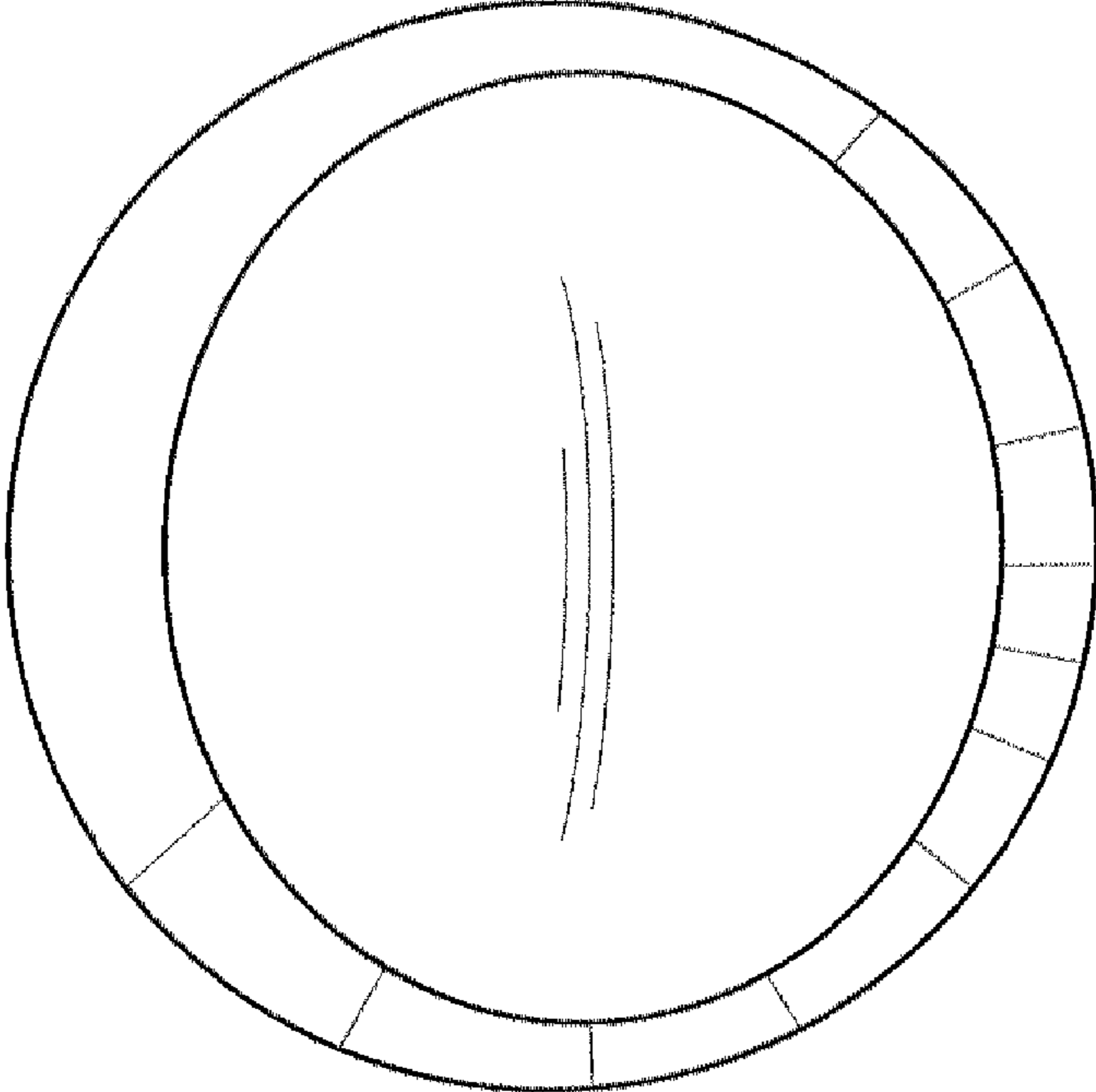


Fig. 6

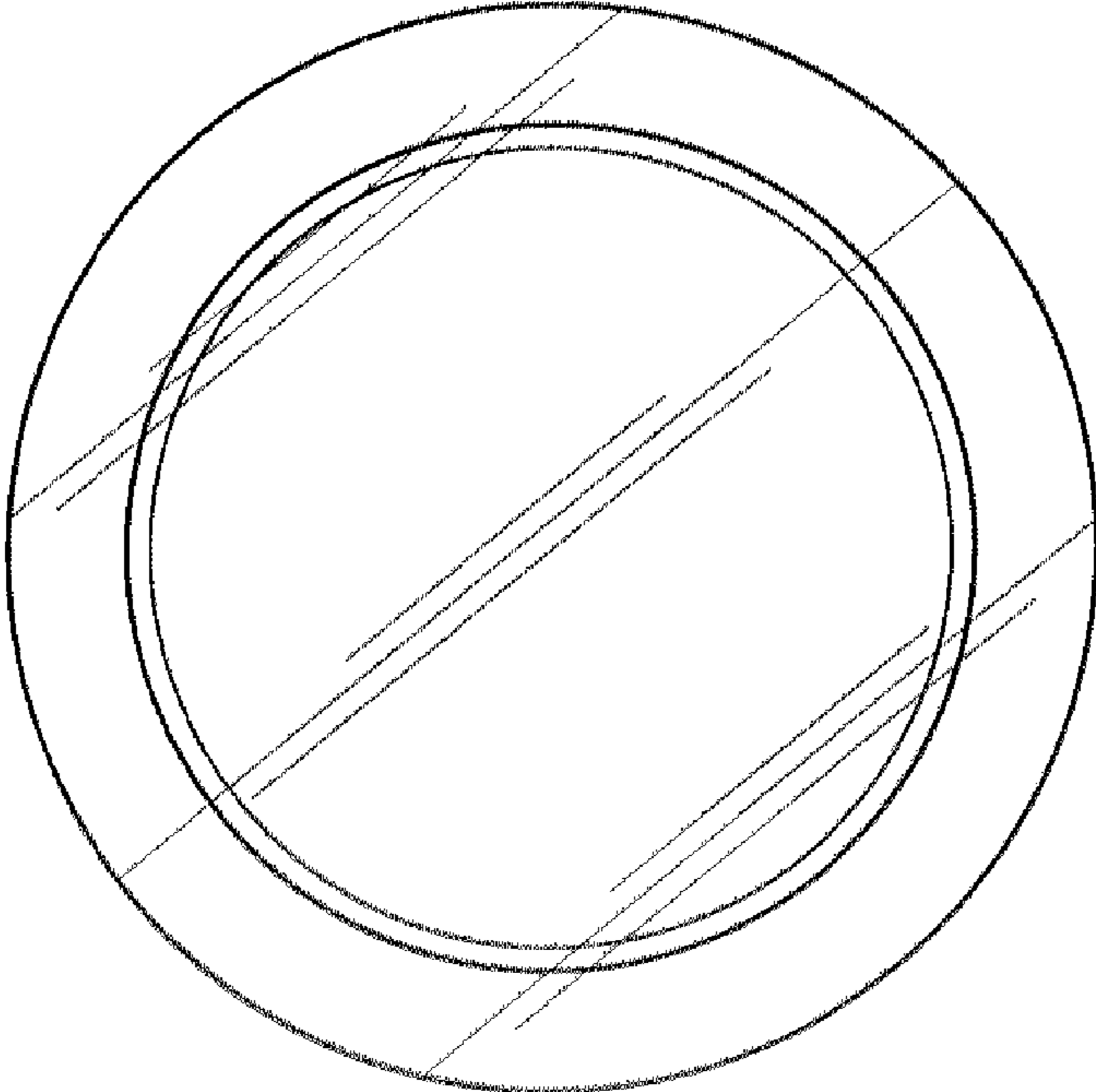


Fig. 7