



US00D674697S

(12) **United States Design Patent**
Biesecker et al.

(10) **Patent No.:** **US D674,697 S**
(45) **Date of Patent:** **** Jan. 22, 2013**

(54) **BOTTLE CAP**
(75) Inventors: **Frederick N. Biesecker**, Boyertown, PA (US); **Gregory Sprishen**, Newtown Square, PA (US); **Stewart A. Swiss**, Lloyd Harbor, NY (US)
(73) Assignee: **Drug Plastics & Glass Company, Inc.**, Boyertown, PA (US)

3,853,237 A 12/1974 Marchant
3,915,326 A * 10/1975 Hrubesky 215/219
3,934,745 A 1/1976 Lovell
3,999,677 A 12/1976 Oberkircher
4,180,178 A 12/1979 Turner
4,187,953 A 2/1980 Turner
D266,486 S * 10/1982 Lutz D9/503
4,500,006 A 2/1985 Lafortune

(Continued)

(**) Term: **14 Years**

AU 7650174 A 6/1976

(Continued)

(21) Appl. No.: **29/394,668**

FOREIGN PATENT DOCUMENTS

(22) Filed: **Jun. 20, 2011**

(51) **LOC (9) Cl.** **09-07**

(52) **U.S. Cl.** **D9/453; D9/454; D9/441**

(58) **Field of Classification Search** D9/711,
D9/457, 454, 453, 452, 447, 443, 436, 434,
D9/432, 30, 415; D7/392.1; 220/784, 780,
220/326, 319, 281, 270, 266, 259.4, 254.8,
220/203.11; 215/317, 301, 224, 213, 211,
215/206

Life Savers Container, as shown in photos labeled Figs. 1-8, which were made a public record Dec. 4, 2009 in U.S. Appl. No. 29/343,421.

(Continued)

See application file for complete search history.

Primary Examiner — Susan Bennett Hattan
(74) *Attorney, Agent, or Firm* — Panitch Schwarze Belisario & Nadel LLP

(56) **References Cited**

(57) **CLAIM**
The ornamental design for a bottle cap, as shown and described.

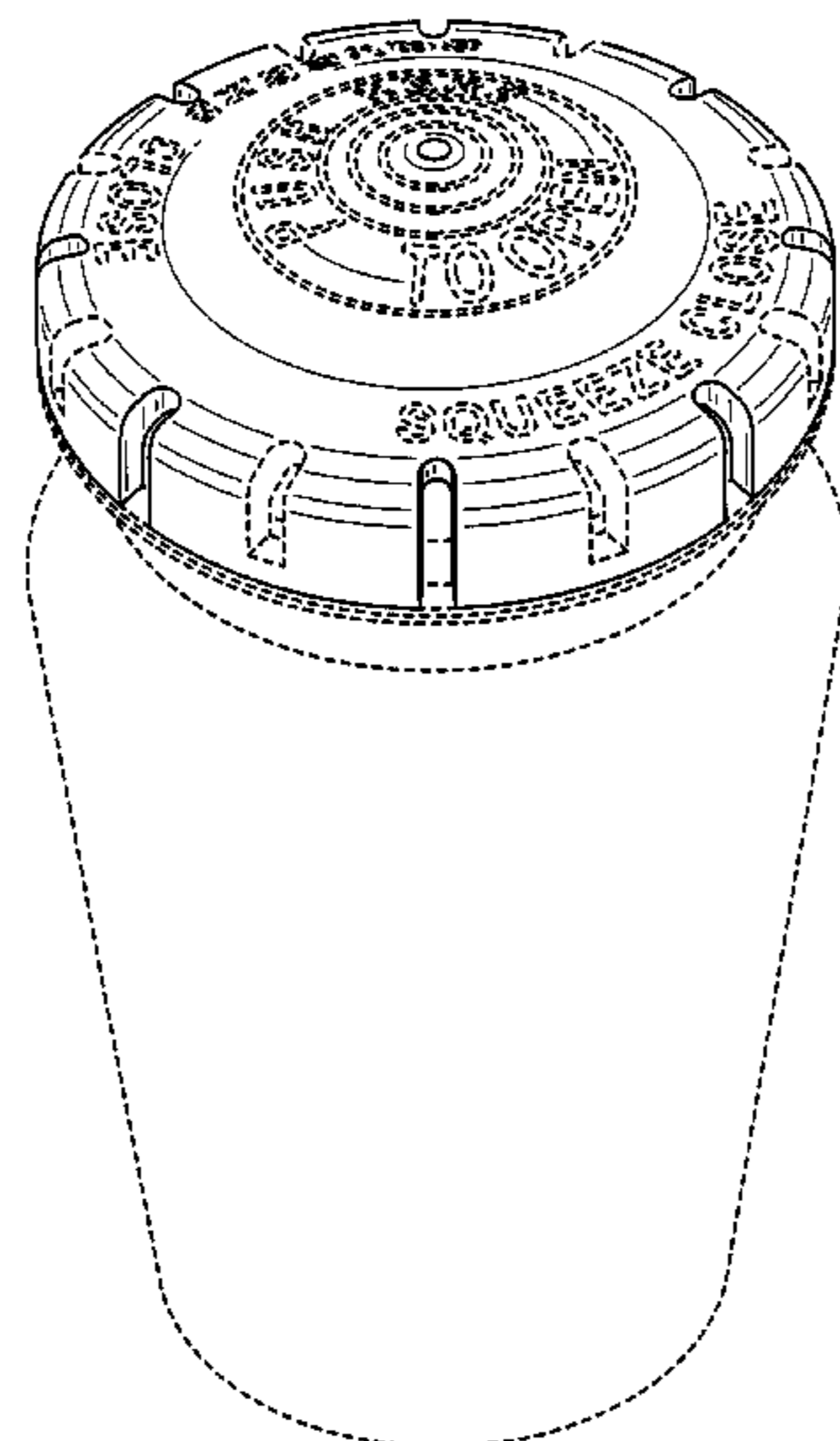
U.S. PATENT DOCUMENTS

1,426,209 A 8/1922 Newland
1,580,544 A 4/1926 Spengler
D91,437 S * 1/1934 Neilson D9/500
2,148,468 A 2/1939 Hothersall
2,186,518 A 1/1940 Buono
2,218,308 A 10/1940 Comer
2,636,640 A 4/1953 Bedford
2,900,103 A 8/1959 Taylor
3,071,275 A * 1/1963 Foss et al. 215/317
3,170,588 A 2/1965 Lyon
3,398,848 A 8/1968 Donovan
3,484,016 A 12/1969 Turner
3,670,951 A 6/1972 Smith
3,720,342 A 3/1973 Vercillo
3,782,575 A 1/1974 Braun
3,825,143 A 7/1974 Julian

DESCRIPTION

FIG. 1 is a top perspective view of our bottle cap in accordance with our new design;
FIG. 2 is a front view thereof, with rear, left-side elevational and right-side elevational views being identical;
FIG. 3 is a top plan view thereof;
FIG. 4 is a bottom view thereof; and,
FIG. 5 is a cross-sectional view taken along the diametrical line 5-5 of FIG. 3.
The broken lines in the figures depict environmental subject matter only and form no part of the claimed design.

1 Claim, 4 Drawing Sheets



US D674,697 S

Page 2

U.S. PATENT DOCUMENTS

4,585,138 A 4/1986 Jonkers
4,625,890 A 12/1986 Galer
4,728,003 A 3/1988 Davey
D298,608 S 11/1988 Dewing
4,958,053 A 9/1990 Boeckmann
D311,868 S 11/1990 Armstrong
D320,562 S * 10/1991 Brester et al. D9/452
D327,849 S 7/1992 Armstrong
5,273,177 A 12/1993 Campbell
D361,265 S 8/1995 Doxey
5,597,096 A 1/1997 Jeppesen
5,848,719 A 12/1998 Goldenberg
D409,490 S 5/1999 Page
5,979,691 A 11/1999 VonHoldt
6,024,246 A 2/2000 Huang
D422,217 S * 4/2000 Gundlach et al. D9/452
6,056,144 A 5/2000 Strange
6,112,920 A 9/2000 Lahaussais
6,230,924 B1 5/2001 Weiss
D448,669 S 10/2001 Carducci
6,299,013 B1 10/2001 Page
D457,433 S 5/2002 Costanzo
D464,434 S * 10/2002 Morano D24/197
6,478,183 B1 11/2002 Bacon
D481,946 S 11/2003 Nicholson
6,754,965 B1 6/2004 Kretchman
D544,348 S 6/2007 Szczesniak
D563,560 S * 3/2008 Copeland D24/224
D563,785 S 3/2008 Maki

D565,027 S 3/2008 Fosbrink
D605,038 S 12/2009 Olive-Bartres
D616,745 S * 6/2010 Stull et al. D9/452
D616,746 S * 6/2010 Stull et al. D9/452
D616,747 S * 6/2010 Stull et al. D9/452
D617,191 S * 6/2010 Stull et al. D9/452
D618,099 S 6/2010 Biesecker
D642,056 S * 7/2011 Brown et al. D9/452
D642,467 S * 8/2011 Knutson et al. D9/452
8,191,728 B2 * 6/2012 Auer et al. 220/784
8,205,761 B2 * 6/2012 Stull et al. 215/220
2005/0035125 A1 2/2005 Bae
2006/0163266 A1 7/2006 DeBalleComas
2006/0273091 A1 12/2006 Hornke
2009/0223967 A1 9/2009 Mengeu
2010/0288769 A1 11/2010 Cheng

FOREIGN PATENT DOCUMENTS

CH 132764 4/1929
DE 442634 4/1927
EP 1074478 2/2001
FR 1463789 7/1966
GB 1212270 11/1970

OTHER PUBLICATIONS

EP Search Report issued Jul. 25, 2012 in EP Application No. 12172737.4.
U.S. Appl. No. 13/528,991 by Biesecker et al., filed Jun. 21, 2012.

* cited by examiner

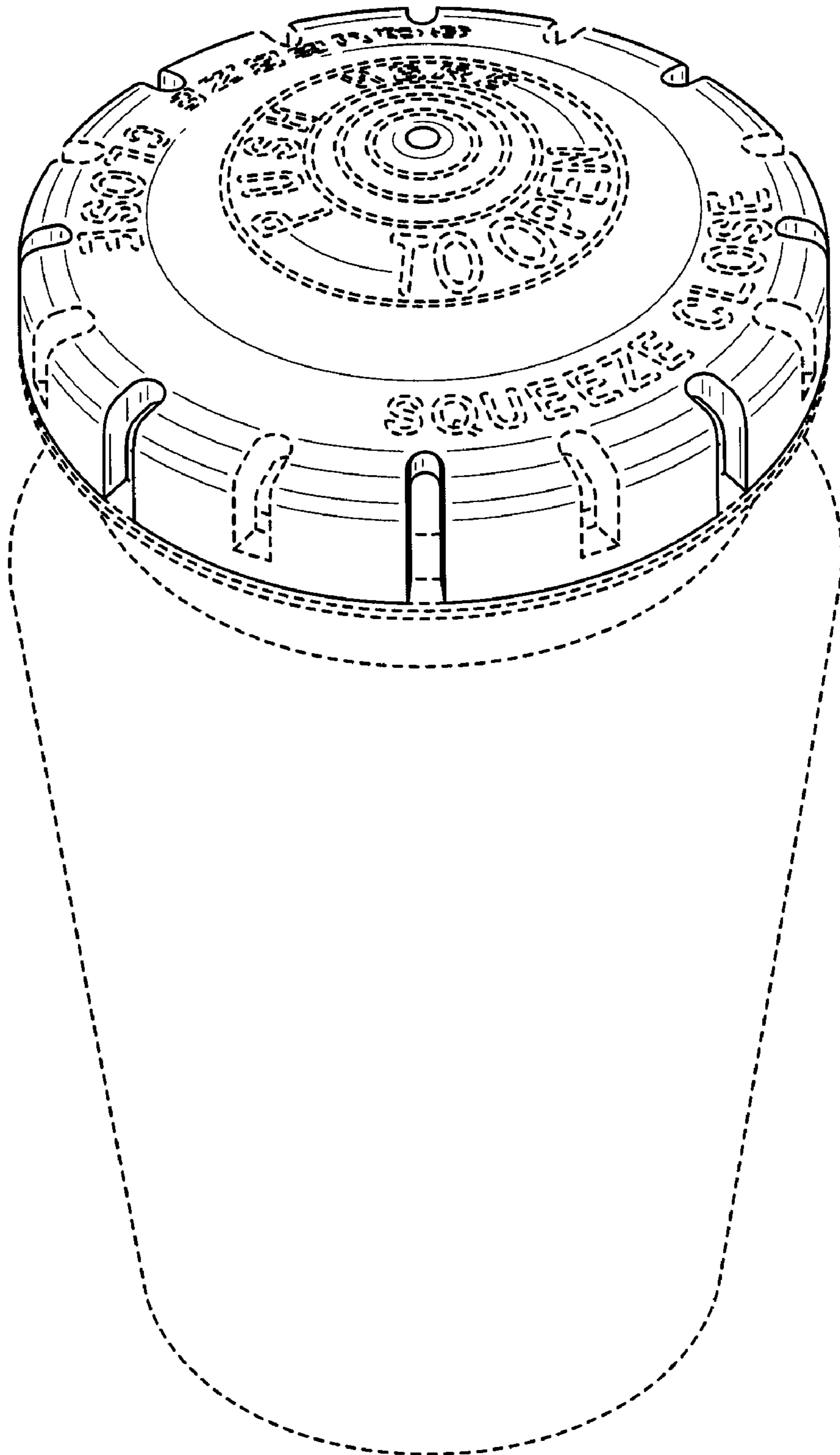


FIG. 1

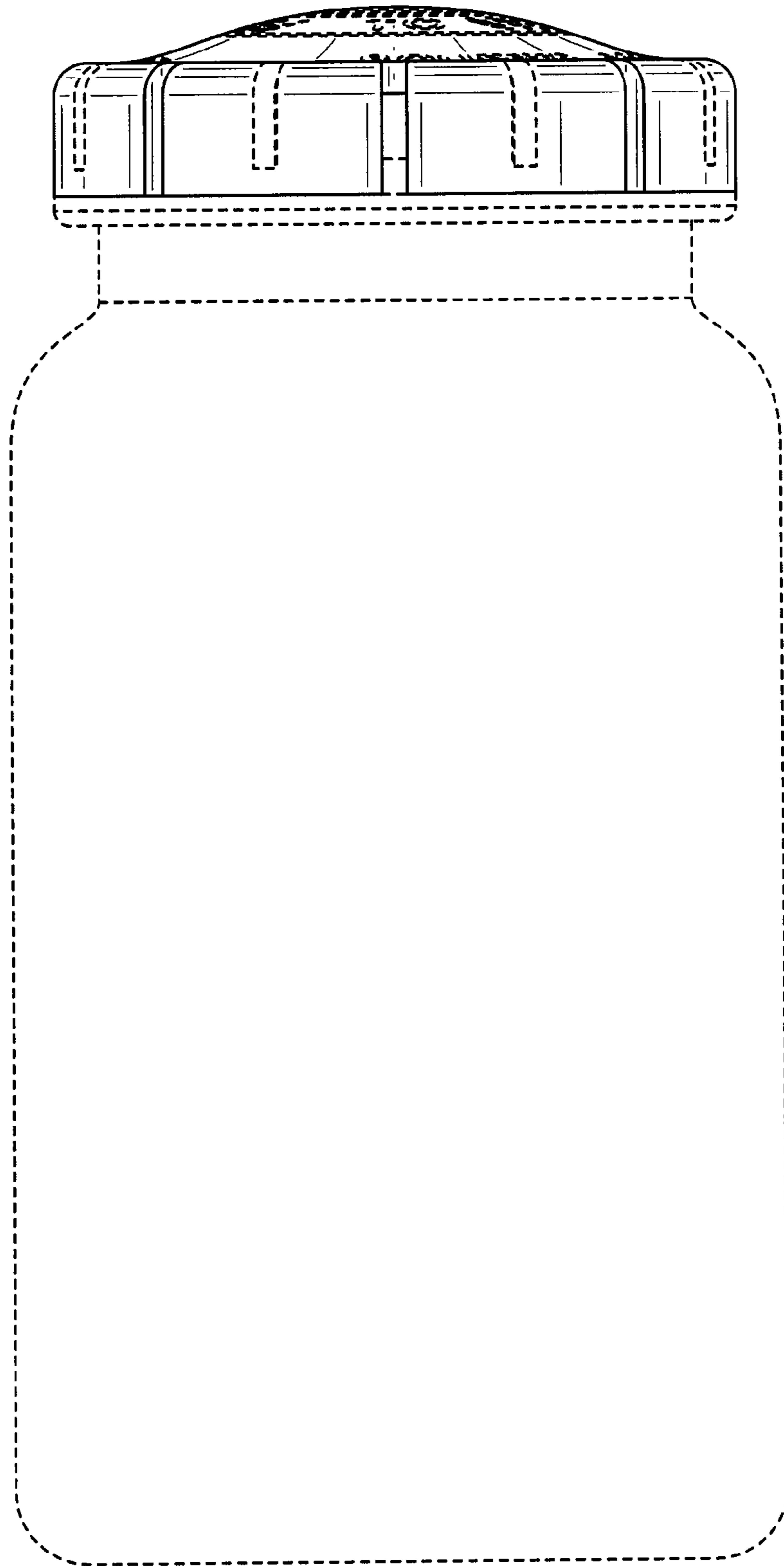


FIG. 2

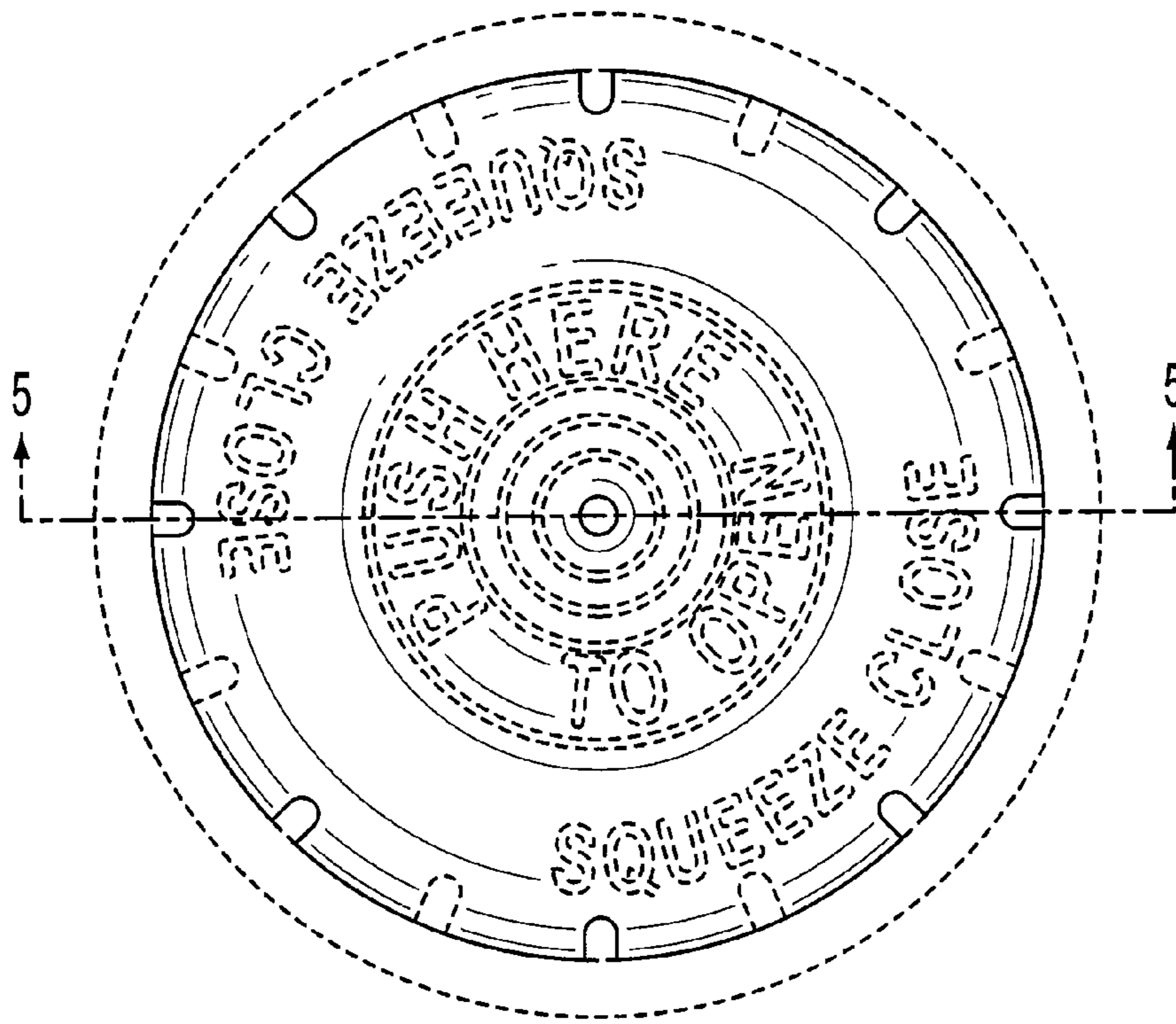


FIG. 3

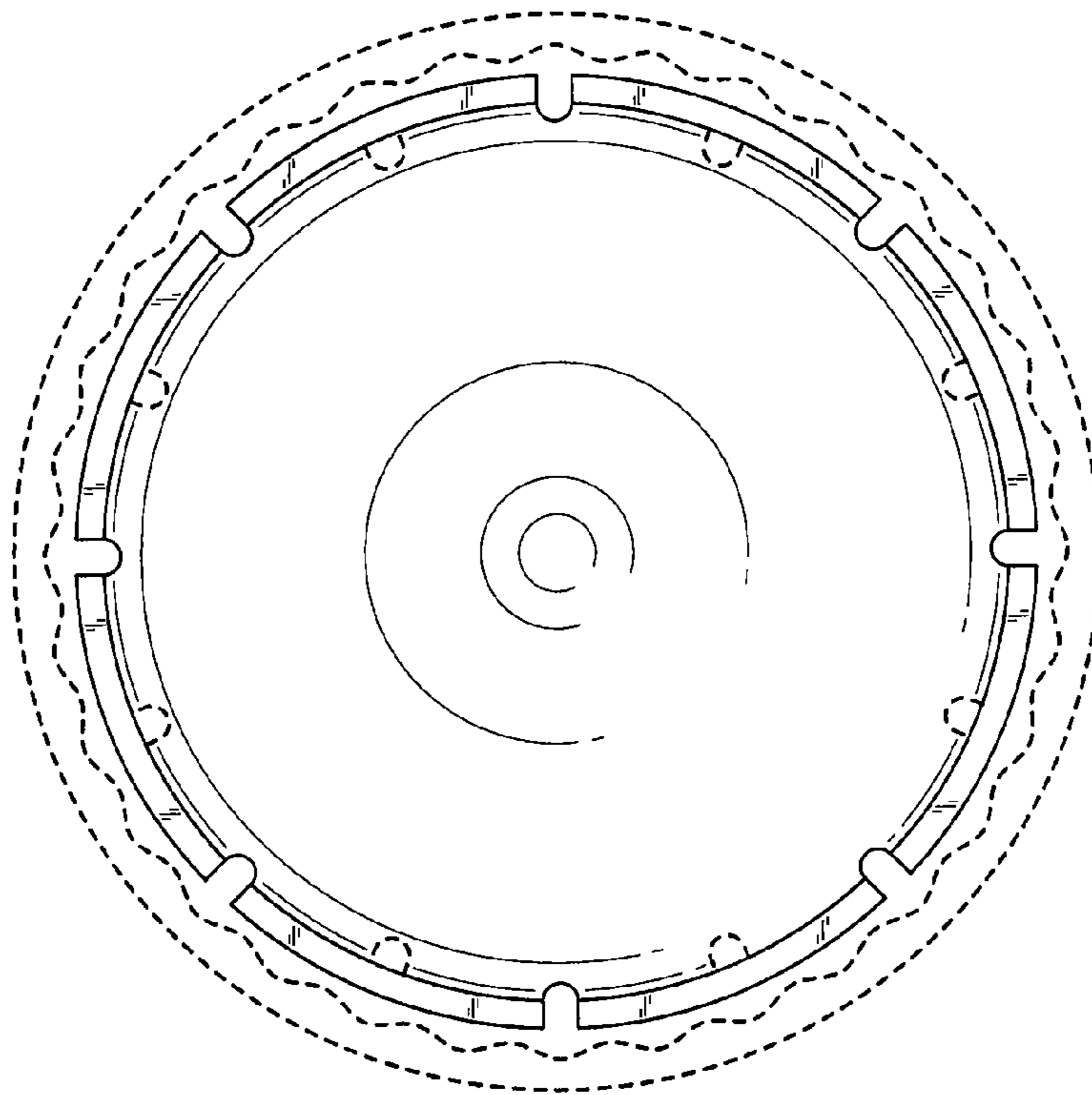


FIG. 4

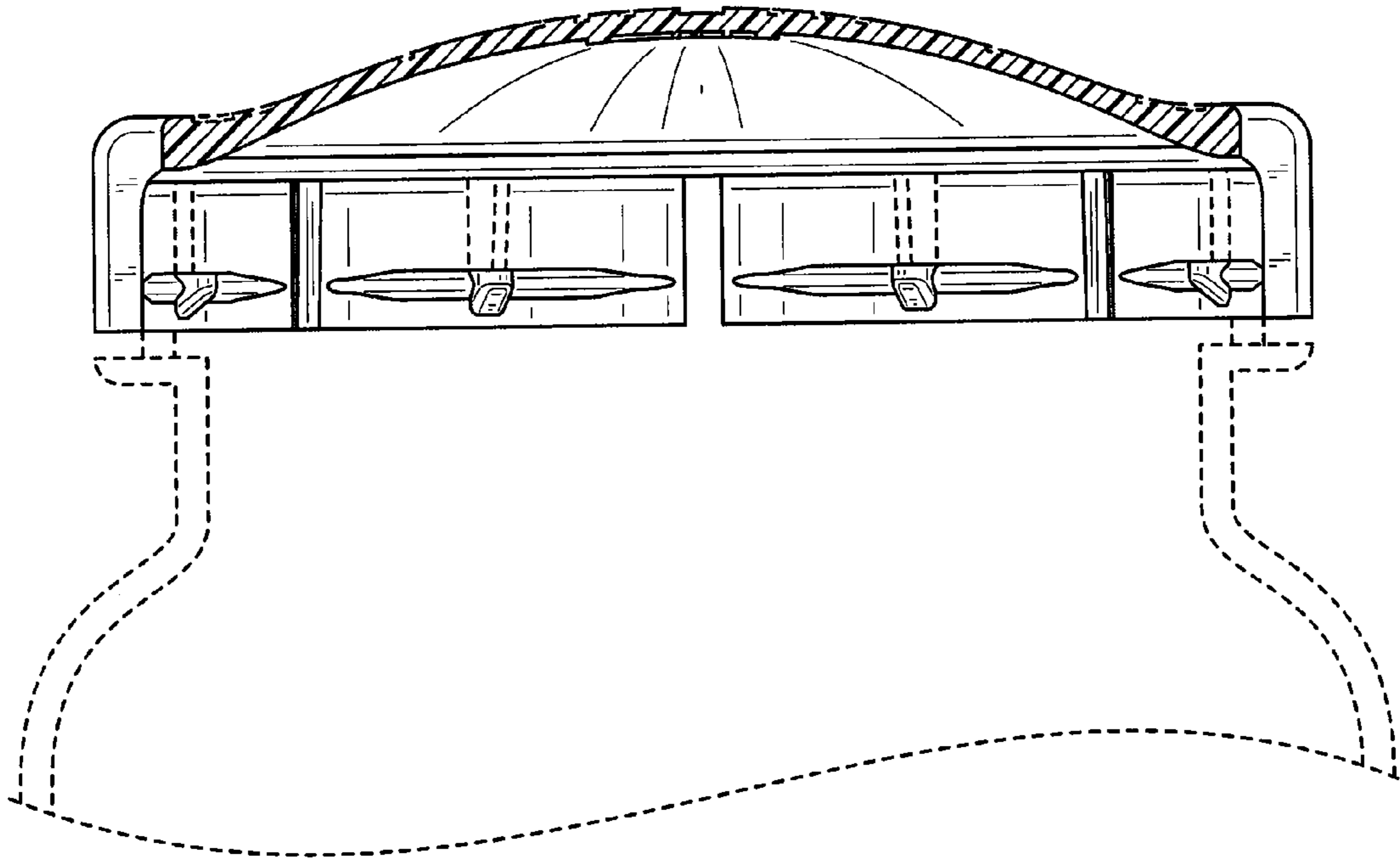


FIG. 5