

US00D674695S

(12) **United States Design Patent**  
**Thurin et al.**

(10) **Patent No.:** **US D674,695 S**  
(45) **Date of Patent:** **\*\* Jan. 22, 2013**

- (54) **FLUID DISPENSING DEVICE**
- (75) Inventors: **Matthew N. Thurin**, Wausatosa, WI (US); **Darren K. Robling**, Racine, WI (US); **Linda Moy Madore**, Vernon Hills, IL (US); **Charles P. Althoff**, Brooklyn, NY (US); **Hideaki Matsui**, New York, NY (US); **Brook S. Kennedy**, Glen Ridge, NJ (US); **Stian Tesdal**, New York, NY (US)
- (73) Assignee: **S.C. Johnson & Son, Inc.**, Racine, WI (US)
- (\*\*) Term: **14 Years**
- (21) Appl. No.: **29/428,479**
- (22) Filed: **Jul. 31, 2012**

4,257,560 A	3/1981	Diamond
D258,800 S	4/1981	Halbeisen et al.
D260,236 S	8/1981	Anderson et al.
D285,538 S	9/1986	Trumstedt
5,027,982 A	7/1991	Demarest
5,105,989 A	4/1992	Gutkowski
5,385,303 A	1/1995	Gosselin et al.
5,386,940 A	2/1995	Berfield
5,649,645 A	7/1997	Demarest et al.
5,752,631 A	5/1998	Yabuno et al.
6,006,957 A	12/1999	Kunesh
6,027,042 A	2/2000	Smith
D443,202 S	6/2001	Boussiquet et al.
6,883,688 B1	4/2005	Stern et al.
6,905,050 B1	6/2005	Stern et al.
6,932,244 B2	8/2005	Meshberg
D524,982 S	7/2006	Angeletta
7,226,001 B1	6/2007	Stern et al.
D571,206 S	6/2008	Sweeton et al.

(Continued)

**Related U.S. Application Data**

- (62) Division of application No. 29/393,832, filed on Jun. 9, 2011.
  - (51) **LOC (9) Cl.** ..... **09-07**
  - (52) **U.S. Cl.** ..... **D9/448**
  - (58) **Field of Classification Search** ..... D9/682-694, D9/719, 516-575, 434-450, 500-505; 222/129, 222/135, 153.01, 153.03, 153.04, 153.09, 222/153.11-153.14, 182, 631, 635, 209, 222/211-213, 215, 321.7-321.9, 372, 373, 222/378, 379, 383.1, 384-386, 398, 400.7, 222/400.8, 401, 402.1-402.25; 215/379-385; 220/669-675
- See application file for complete search history.

(56) **References Cited**

**U.S. PATENT DOCUMENTS**

2,327,285 A	8/1943	Opitz
3,628,733 A	12/1971	Kahn
3,703,994 A	11/1972	Nigro
D225,619 S	12/1972	Bruce et al.
3,734,353 A	5/1973	McIlhenny
3,767,125 A	10/1973	Gehres et al.
3,795,366 A	3/1974	McGhie et al.

**FOREIGN PATENT DOCUMENTS**

EM	000452354-0001	2/2006
EM	000493580-0004	4/2006
EM	000668306-0005	2/2008

(Continued)

*Primary Examiner* — Catherine Tuttle

(74) *Attorney, Agent, or Firm* — Miller, Matthias & Hull LLP

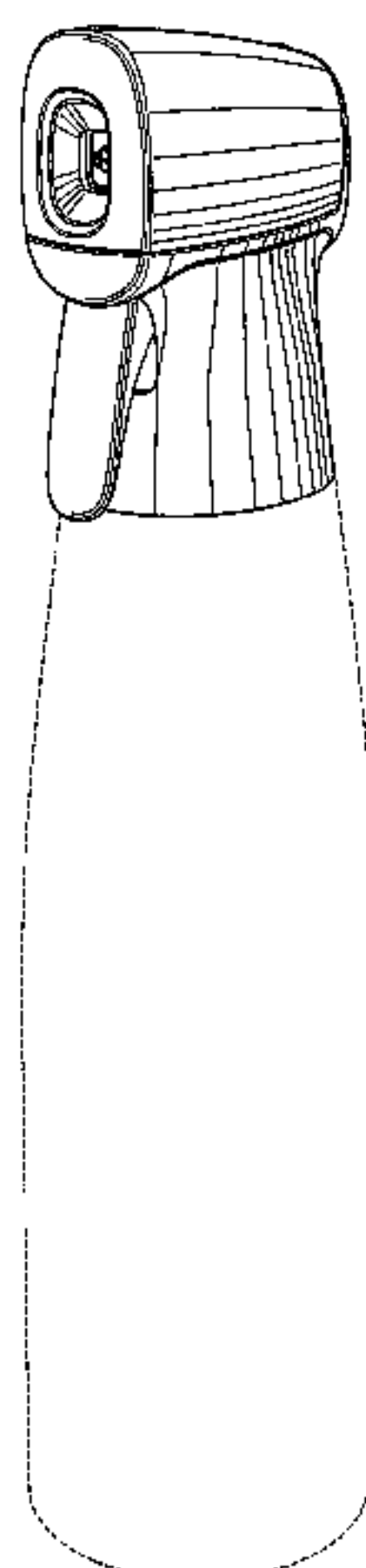
(57) **CLAIM**

The ornamental design for a fluid dispensing device, as shown and described.

**DESCRIPTION**

FIG. 1 is a perspective view showing our new design for the fluid dispensing device;  
 FIG. 2 is a front view thereof;  
 FIG. 3 is a rear view thereof;  
 FIG. 4 is a right side view thereof, the left side view being a mirror image of the right side view;  
 FIG. 5 is a top view thereof; and,  
 FIG. 6 is a bottom view thereof.  
 The broken lines are included for the purpose of illustrating portions of the fluid dispensing device that form no part of the claimed design.

**1 Claim, 3 Drawing Sheets**



# US D674,695 S

Page 2

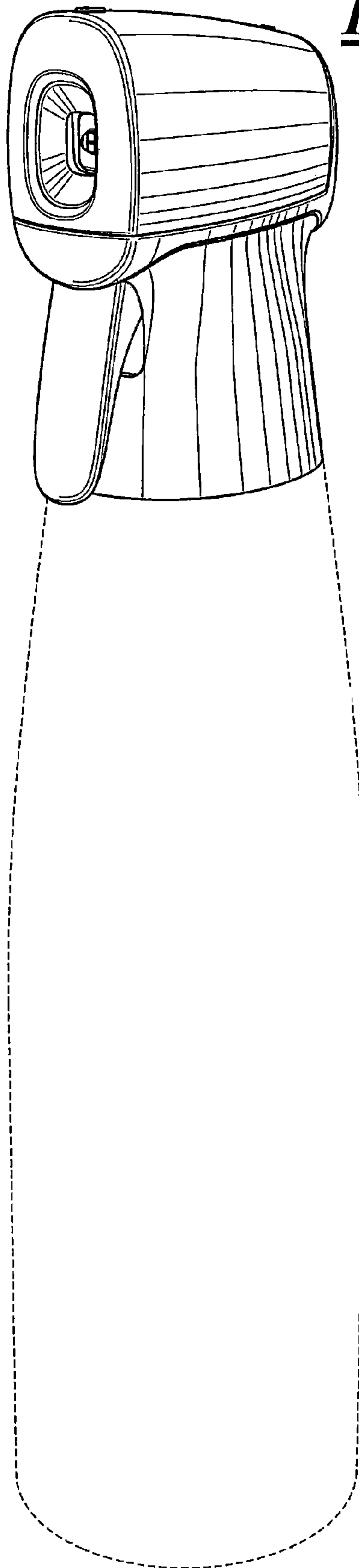
---

## U.S. PATENT DOCUMENTS

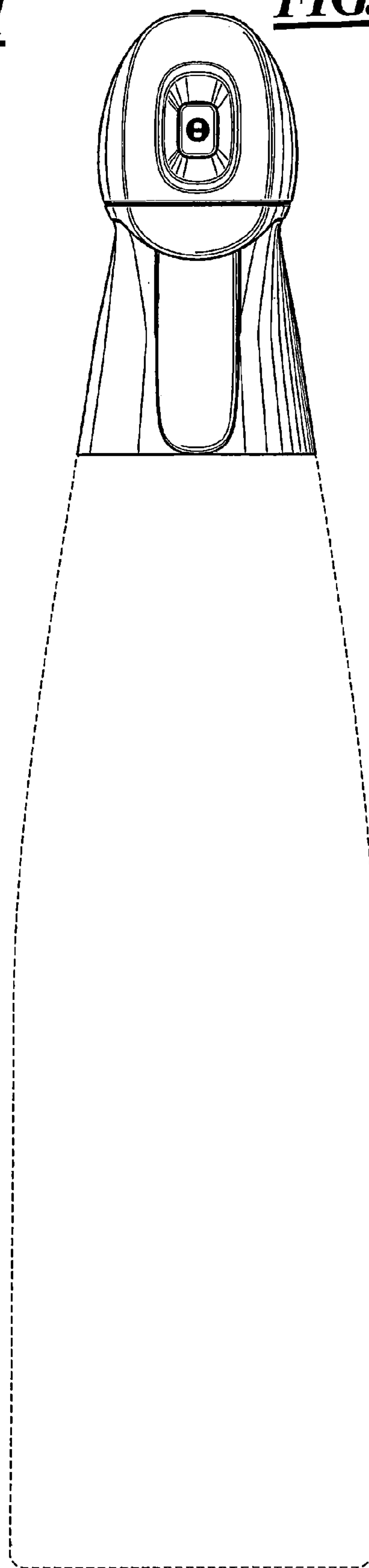
7,402,554	B2	7/2008	Goldman et al.
D584,617	S	1/2009	Harrison et al.
D591,612	S	5/2009	Ames et al.
7,651,992	B2	1/2010	Culeron et al.
D610,453	S	2/2010	Cichy et al.
2010/0025437	A1	2/2010	Oshimo et al.
2011/0108583	A1	5/2011	Sell et al.

## FOREIGN PATENT DOCUMENTS

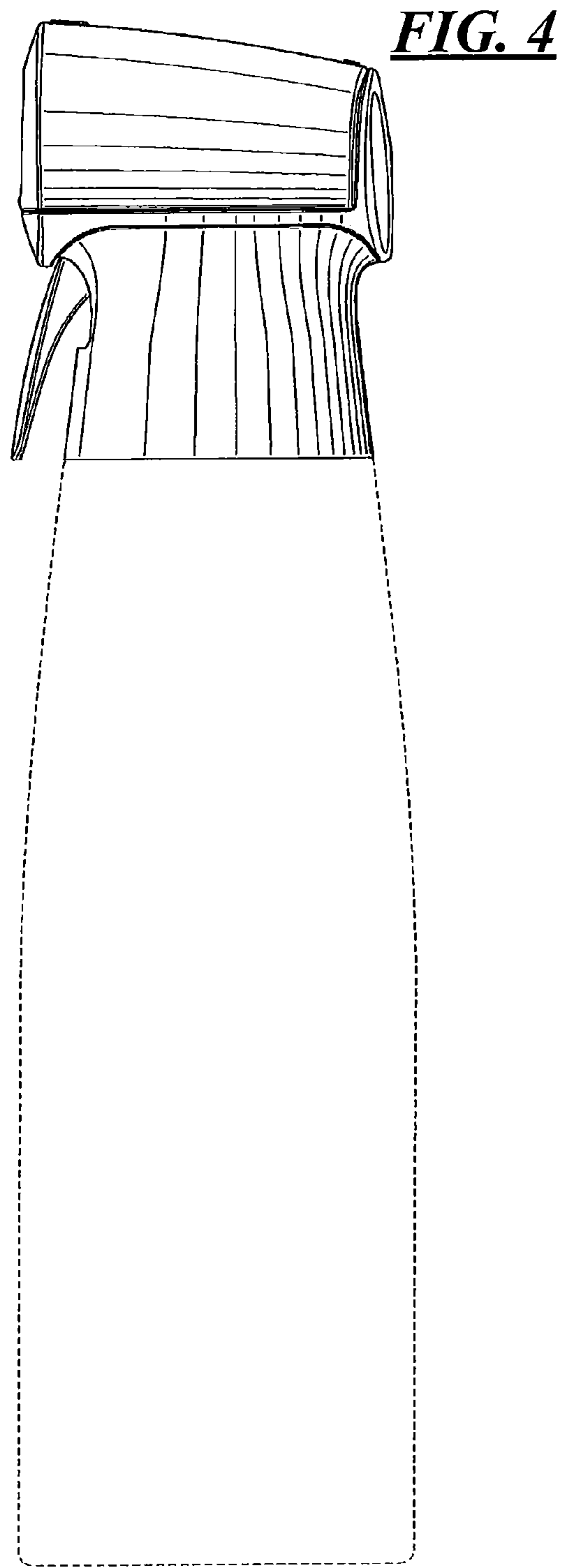
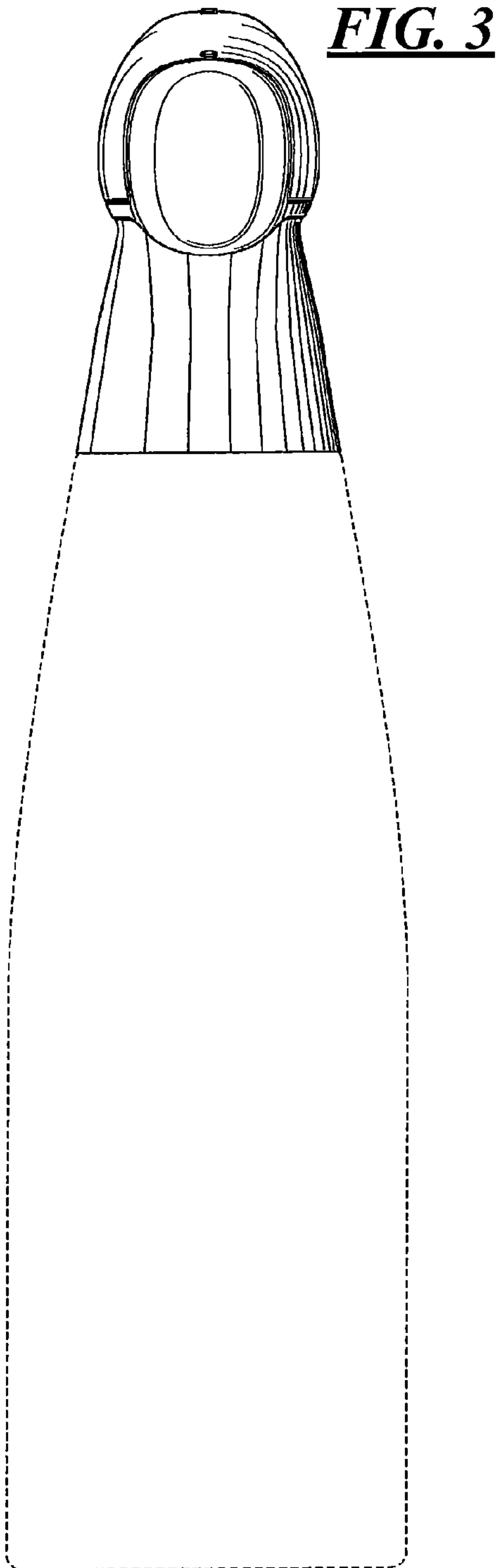
EM	000668306-0006	2/2008
EM	000934559-0006	7/2010
EP	1726538	11/2006
JP	D1283650	10/2006
WO	WO2004/078901	9/2004
WO	WO2004/078902	9/2004
WO	WO2004/078903	9/2004



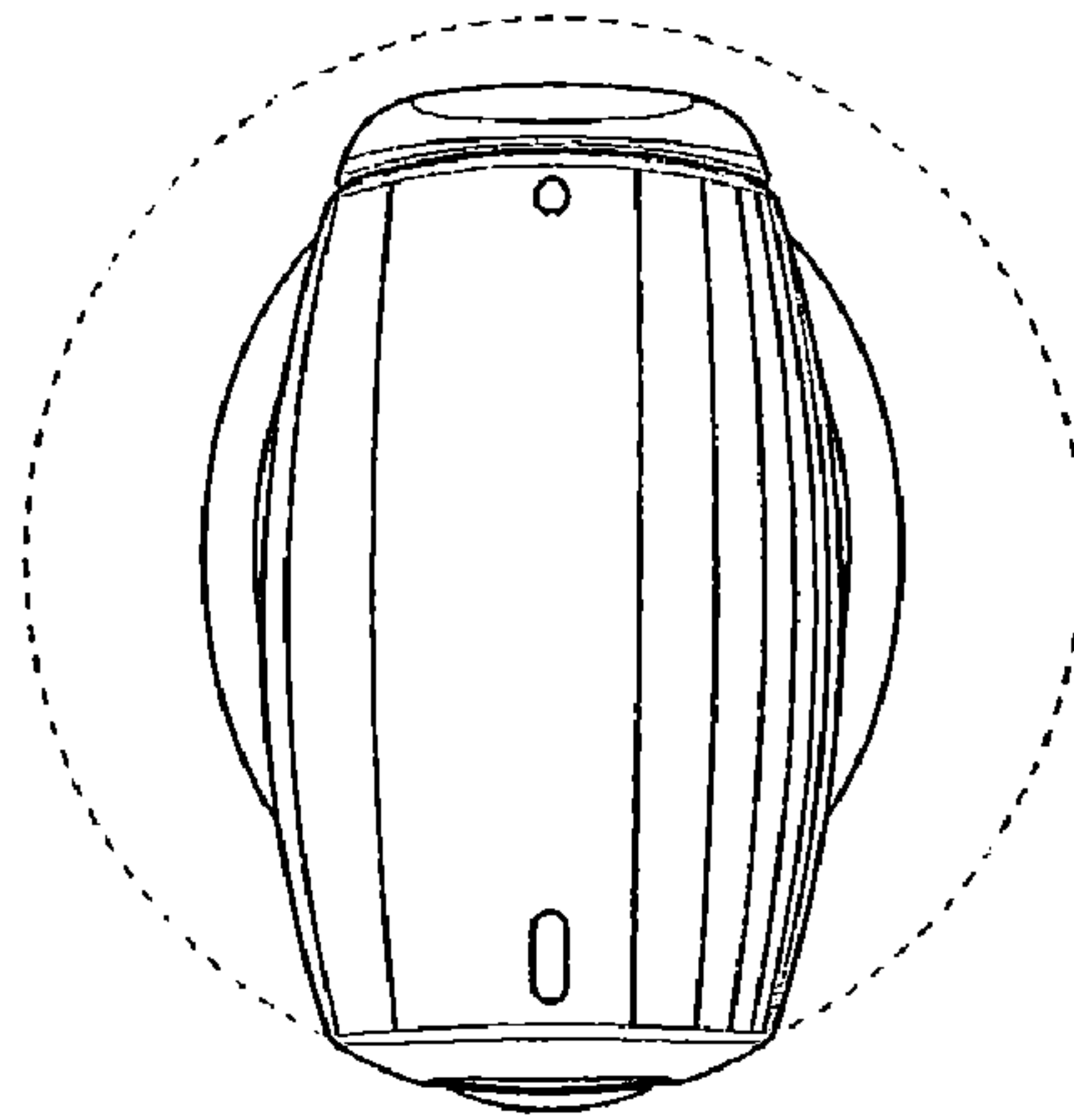
**FIG. 1**



**FIG. 2**



**FIG. 5**



**FIG. 6**

