



US00D674694S

(12) **United States Design Patent**  
**Blythe**

(10) **Patent No.:** **US D674,694 S**  
(45) **Date of Patent:** **\*\* Jan. 22, 2013**

(54) **BOTTLE CAP**

(76) Inventor: **Brad E. Blythe**, Evergreen, CO (US)

(\*\*) Term: **14 Years**

(21) Appl. No.: **29/382,562**

(22) Filed: **Jan. 5, 2011**

**Related U.S. Application Data**

(62) Division of application No. 29/360,750, filed on Apr. 30, 2010, now Pat. No. Des. 632,571.

(51) **LOC (9) Cl.** ..... **09-07**

(52) **U.S. Cl.** ..... **D9/443; D9/439; D9/454**

(58) **Field of Classification Search** ..... D9/761,  
D9/759, 756, 708, 709, 702, 456, 455, 454,  
D9/453, 445, 443, 436, 435, 434, 439; 53/412;  
248/146; 229/120; 222/109; 220/4.23; 219/439;  
215/305; 206/392.6, 392.1, 692; D7/304,  
D7/295, 392.1, 396.2, 608

See application file for complete search history.

(56) **References Cited**

U.S. PATENT DOCUMENTS

D121,807 S \* 8/1940 Fonder ..... D9/439  
D187,202 S \* 2/1960 Tackett ..... D9/443  
D413,262 S \* 8/1999 Cardinaletti ..... D9/439

\* cited by examiner

*Primary Examiner* — Susan Bennett Hattan

(74) *Attorney, Agent, or Firm* — Swanson & Bratschun, L.L.C.

(57) **CLAIM**

I claim the ornamental design for a bottle cap, as shown and described.

**DESCRIPTION**

FIG. 1 is a top plan view of the bottle cap showing of my new design;

FIG. 2 is a side perspective view thereof;

FIG. 3 is a front and back elevational view thereof;

FIG. 4 is a left and right side elevational view thereof; and,

FIG. 5 is a bottom plan view thereof.

The broken line showing a threaded stopper on the drawing disclosure depicts environmental subject matter and forms no part of the claimed design.

**1 Claim, 1 Drawing Sheet**



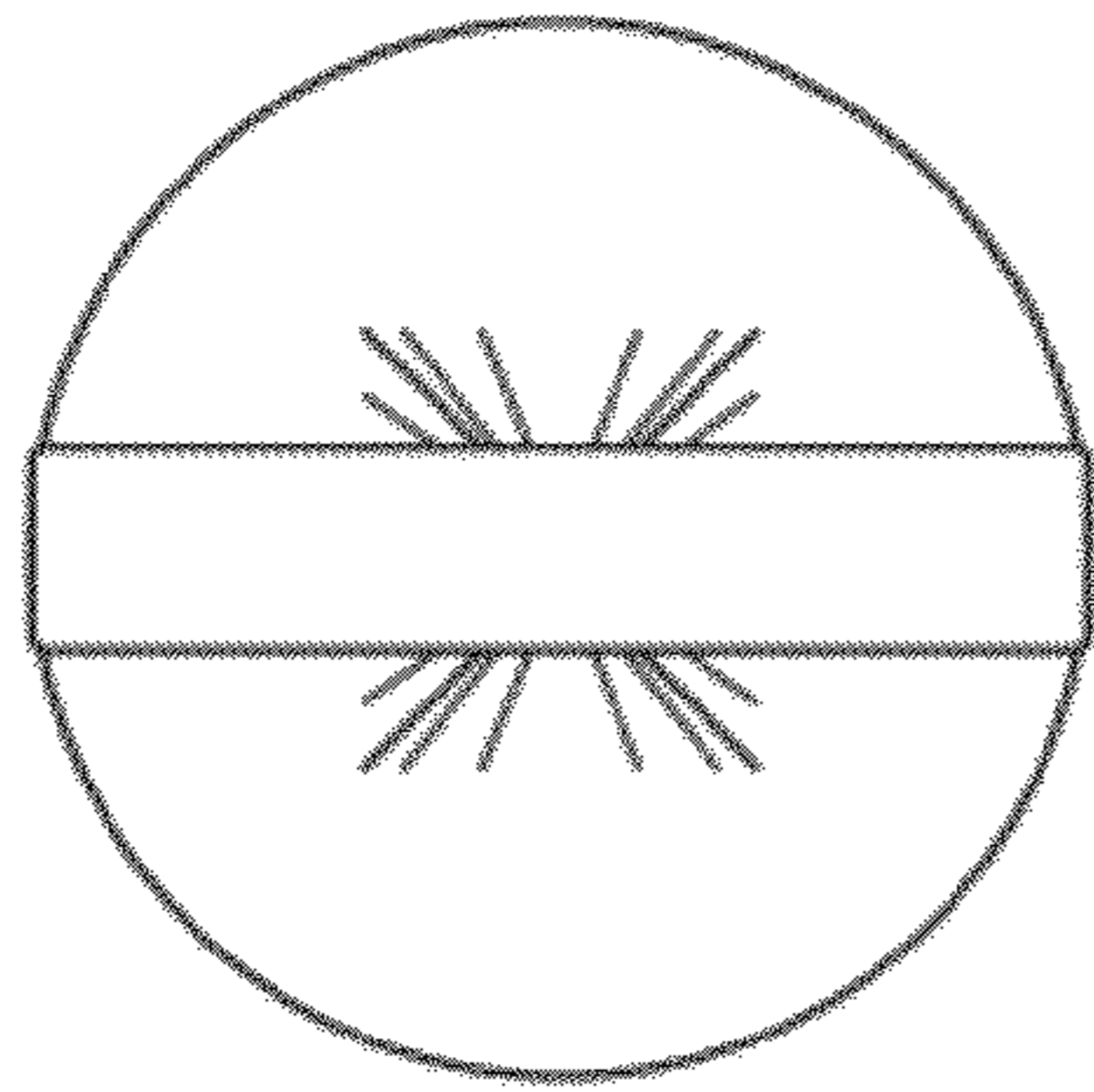


Fig. 1

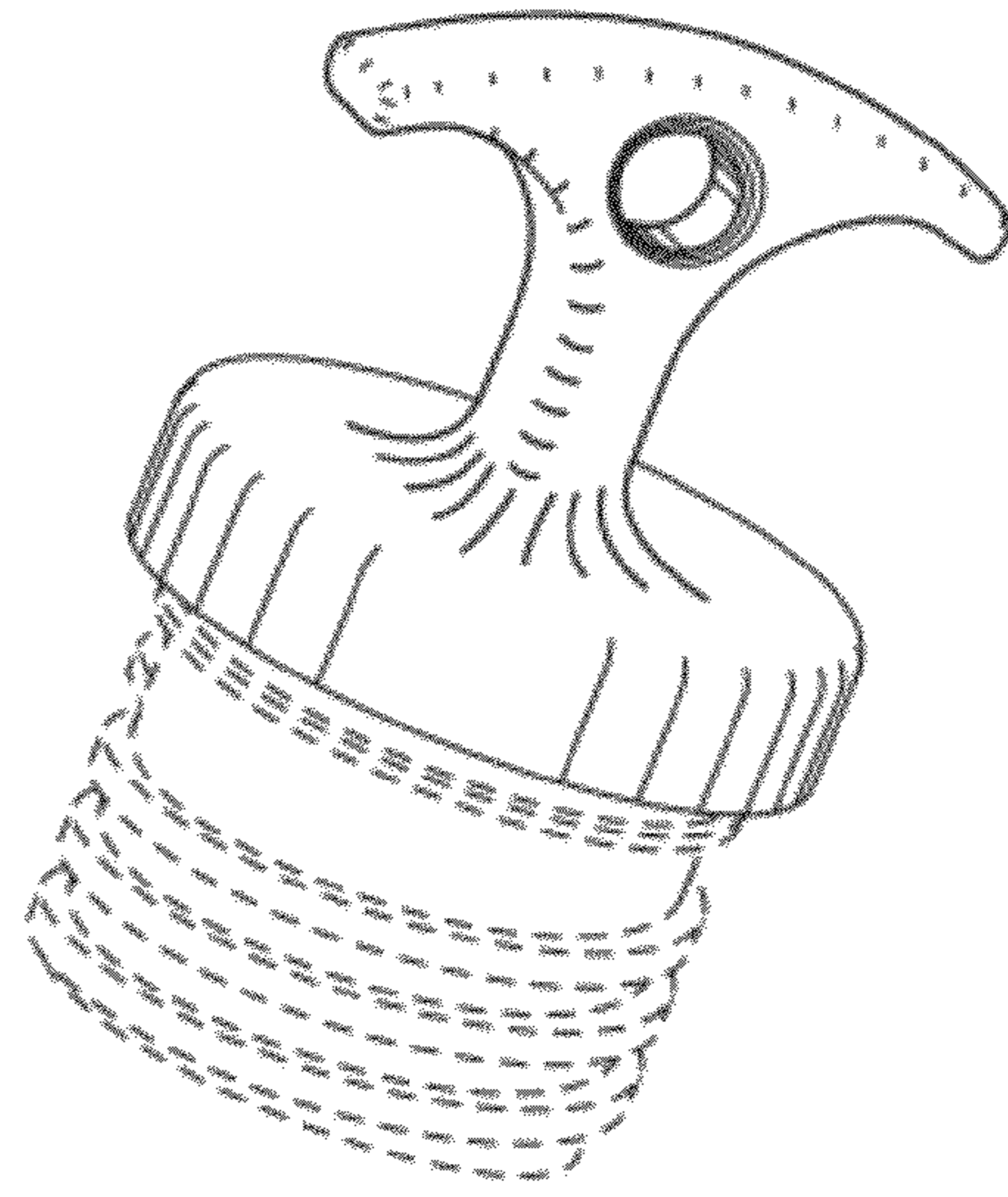


Fig. 2

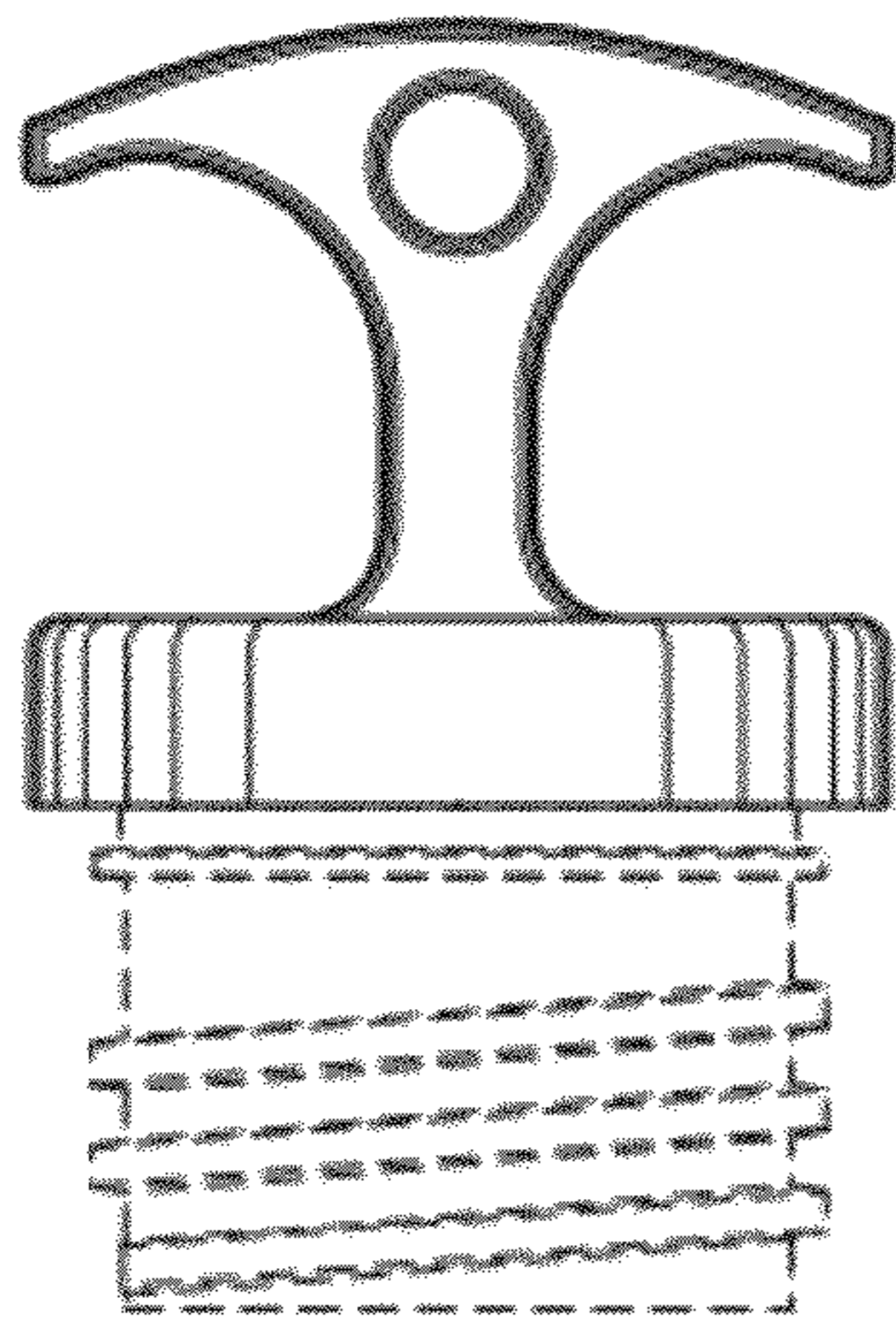


Fig. 3

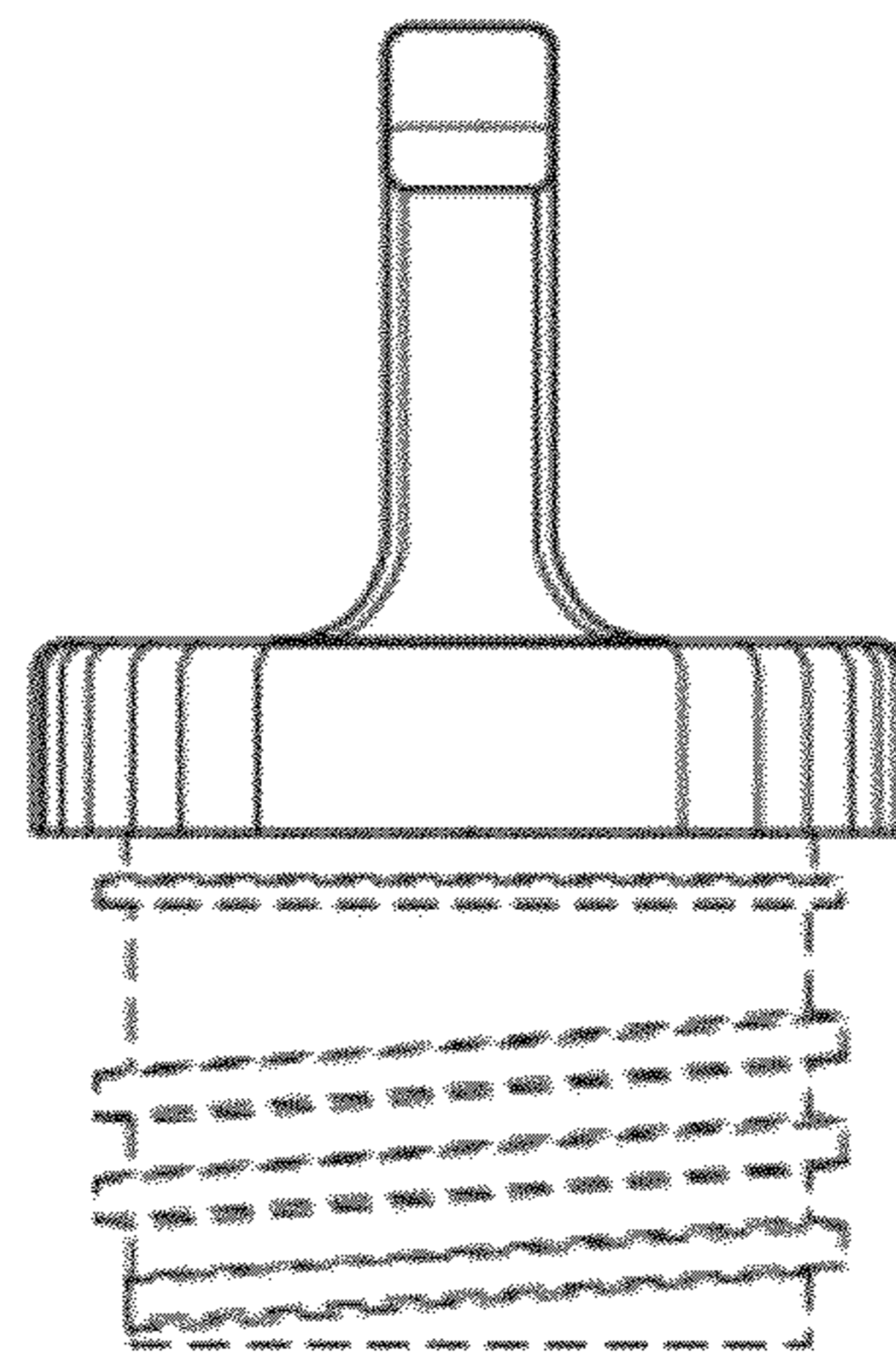


Fig. 4

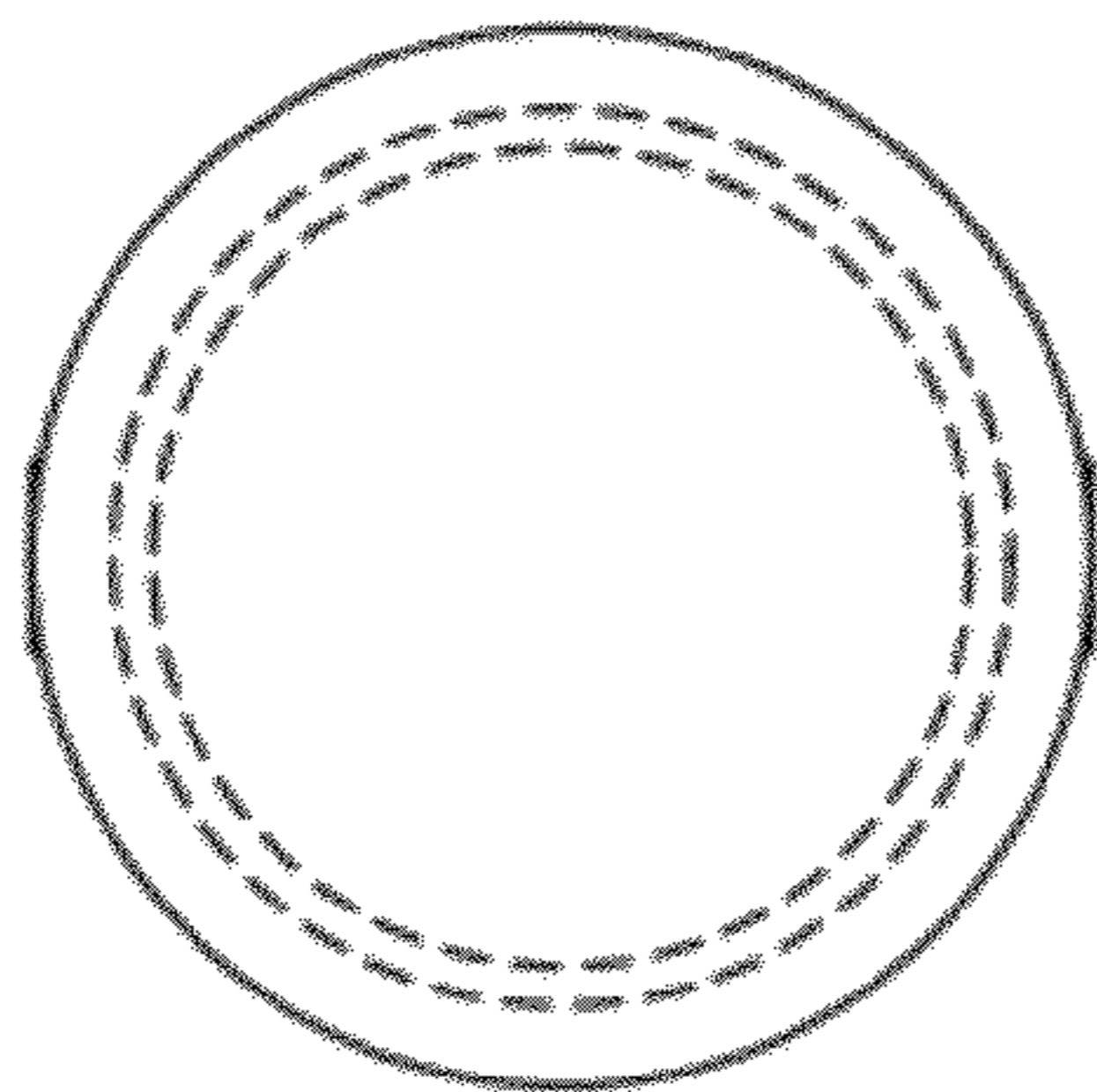


Fig. 5