



US00D674690S

(12) **United States Design Patent**
Sill

(10) **Patent No.:** **US D674,690 S**
(45) **Date of Patent:** **** Jan. 22, 2013**

- (54) **CLOSEABLE CARTON**
- (75) Inventor: **Jonathan D. Sill**, Powell, OH (US)
- (73) Assignee: **Inno-Pak, LLC**, Delaware, OH (US)
- (**) Term: **14 Years**
- (21) Appl. No.: **29/414,215**
- (22) Filed: **Feb. 27, 2012**
- (51) **LOC (9) Cl.** **09-03**
- (52) **U.S. Cl.** **D9/431**
- (58) **Field of Classification Search** D9/414,
D9/416, 418, 420-424, 430-433; D3/272;
206/267, 269, 270, 273, 299, 421, 454, 457,
206/737, 740, 822, 775-778, 784; 229/100,
229/101, 101.3, 106, 108-122, 221, 222,
229/227, 902, 939, 941, 942
See application file for complete search history.

- D497,309 S * 10/2004 Nordland et al. D9/415
- 7,255,261 B2 * 8/2007 Mesly 229/117.08
- D576,482 S * 9/2008 DeBusk D9/416
- D631,743 S * 2/2011 Hubbard et al. D9/433
- 2008/0087679 A1 * 4/2008 Cook et al. 221/1

* cited by examiner

Primary Examiner — Robert M Spear
Assistant Examiner — Vy Koenig
(74) *Attorney, Agent, or Firm* — Ward and Smith, P.A.

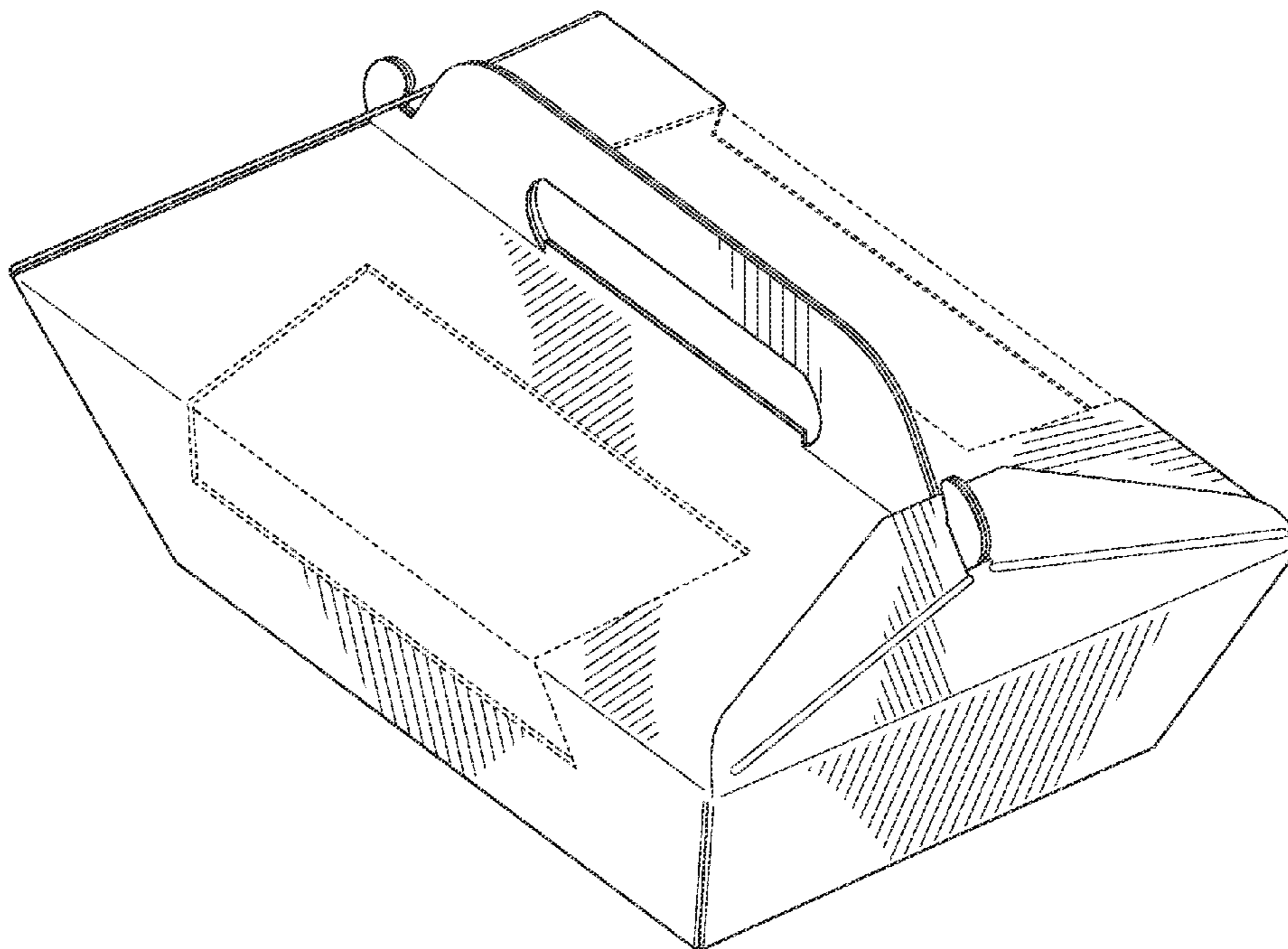
(57) **CLAIM**
The ornamental design for a closeable carton, as shown and described.

DESCRIPTION

FIG. 1 is a perspective view of a closeable carton showing a new design;
FIG. 2 is a left side elevation view thereof, the right side being a mirror image;
FIG. 3 is a front elevation view thereof, the rear being a mirror image;
FIG. 4 is a top plan view thereof;
FIG. 5 is a bottom plan view thereof;
FIG. 6 is a cross-sectional view taken on line 6-6 of FIG. 4;
FIG. 7 is a cross-sectional view taken on line 7-7 of FIG. 4;
FIG. 8 is another perspective view thereof, showing the closeable carton in an alternate open configuration; and,
FIG. 9 is another top plan view thereof, showing the closeable carton in an alternate blank configuration.
The broken lines shown in the drawings are for environmental purposes only and form no part of the claimed design.

- (56) **References Cited**
- U.S. PATENT DOCUMENTS
- 1,135,742 A * 4/1915 Voris 229/117.14
- 1,991,165 A * 2/1935 Luckett 206/499
- 2,666,414 A * 1/1954 Burr et al. 119/431
- 2,728,485 A * 12/1955 Howard 206/200
- 2,805,813 A * 9/1957 Rittmueller 229/117.15
- 2,838,222 A * 6/1958 Papadopoulos 229/117.14
- D242,901 S * 1/1977 Lohrbach D9/432
- 4,238,069 A * 12/1980 Morris, Jr. 229/117.15
- D259,615 S * 6/1981 Morris, Jr. D7/605
- D282,720 S * 2/1986 Borg D9/418
- D385,187 S * 10/1997 Loft D9/433
- 5,853,121 A * 12/1998 Francisco 229/188
- D437,554 S * 2/2001 Milton D9/420

1 Claim, 8 Drawing Sheets



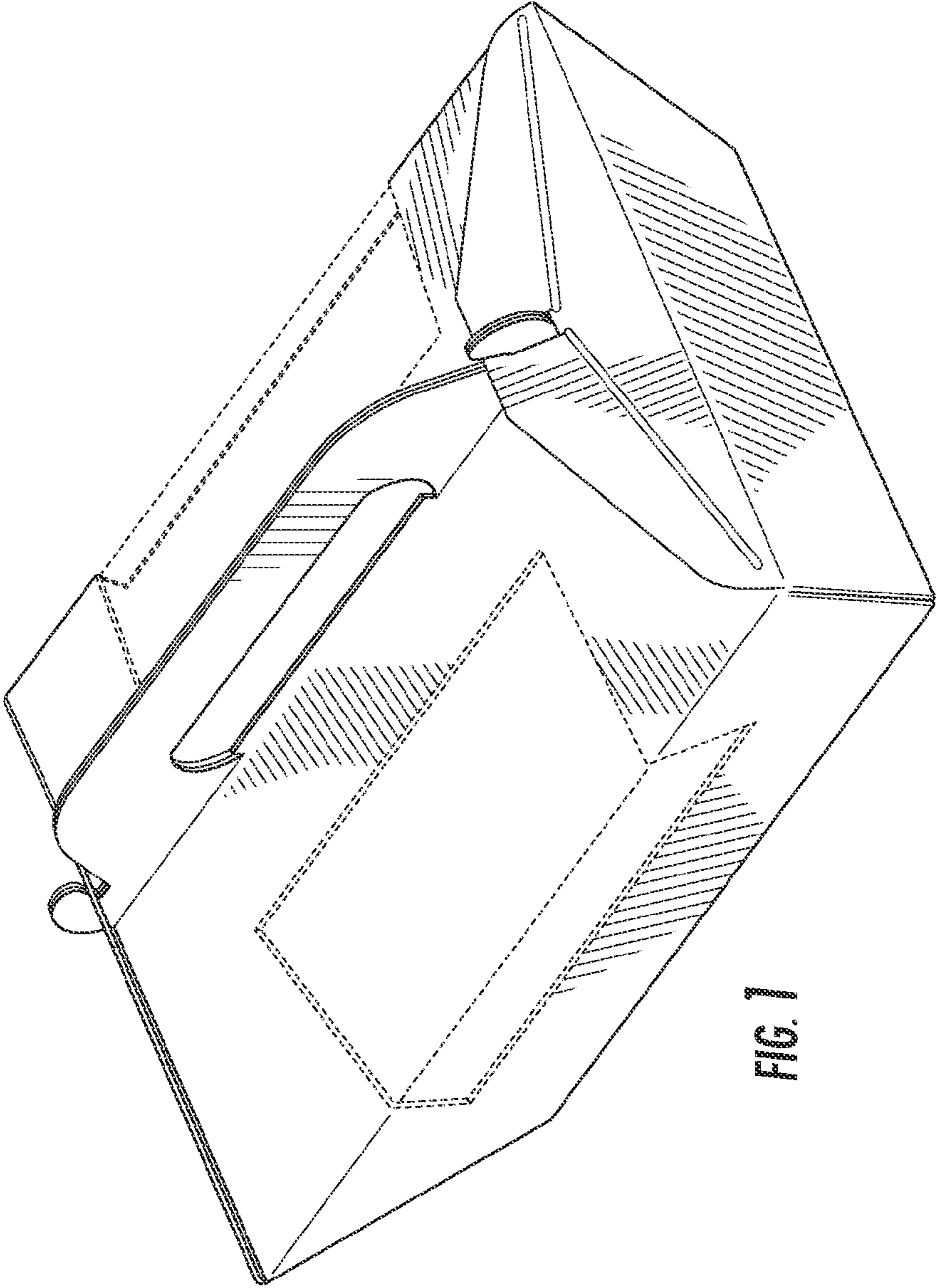


FIG. 1

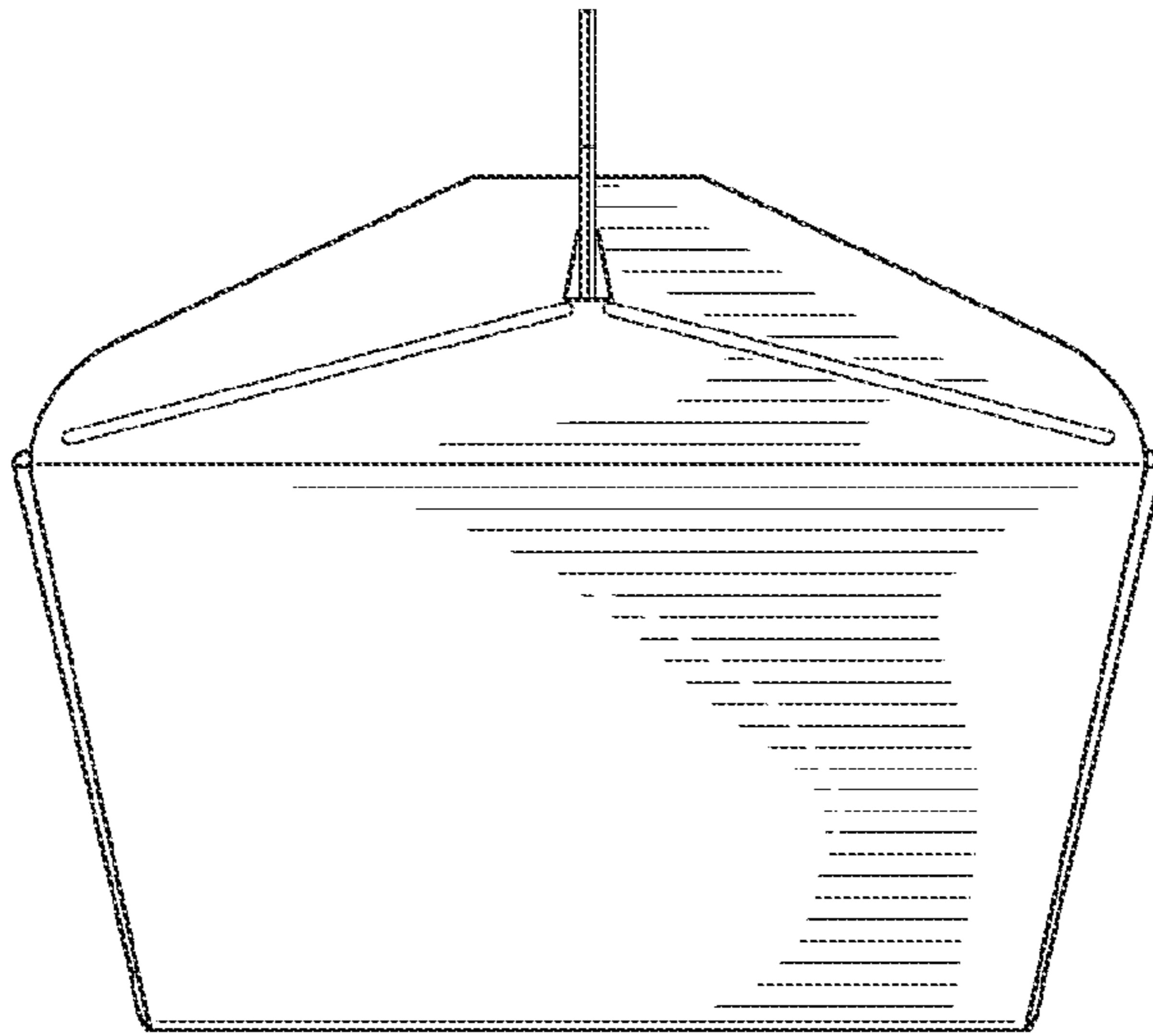


FIG. 2

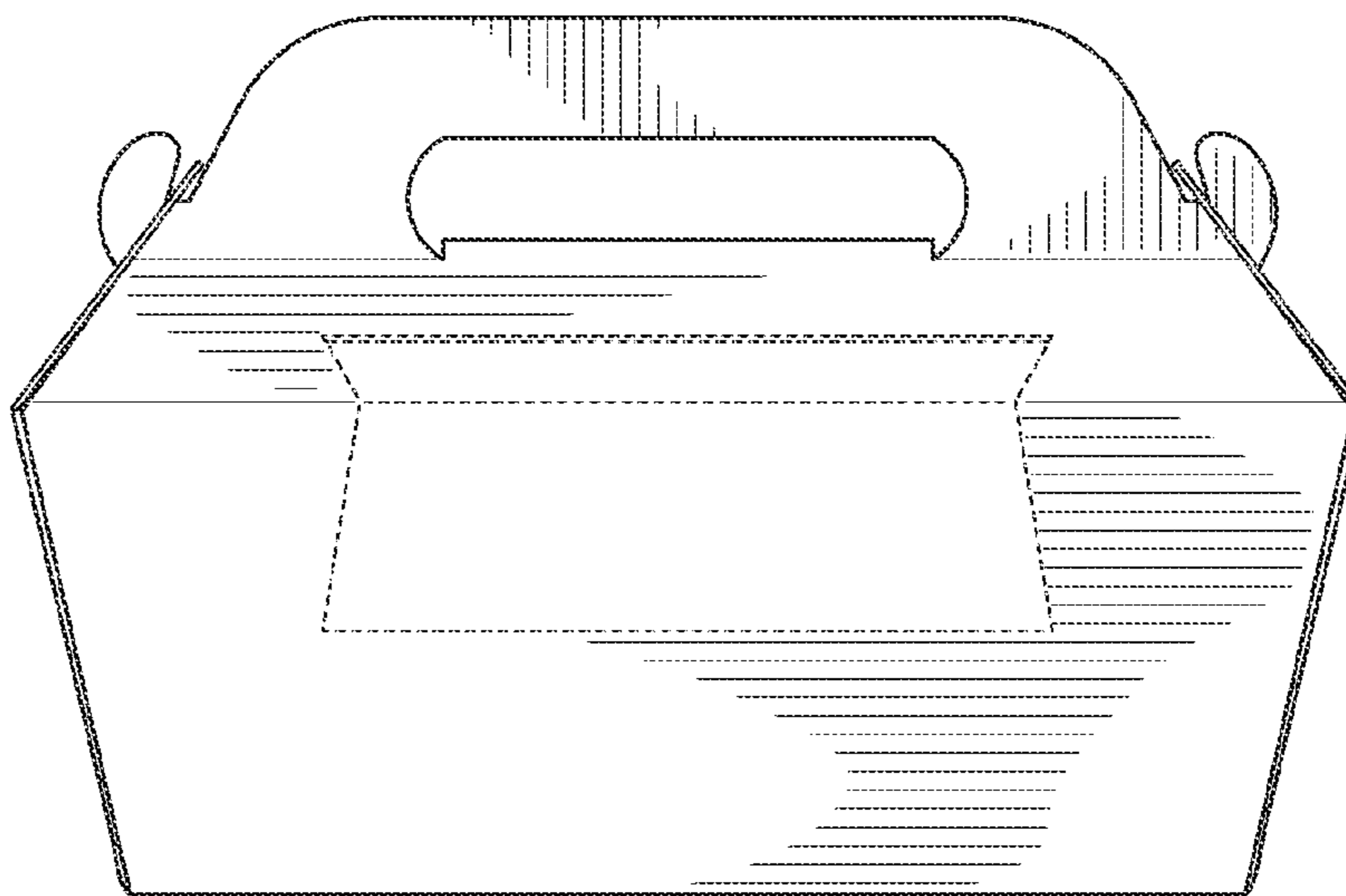


FIG. 3

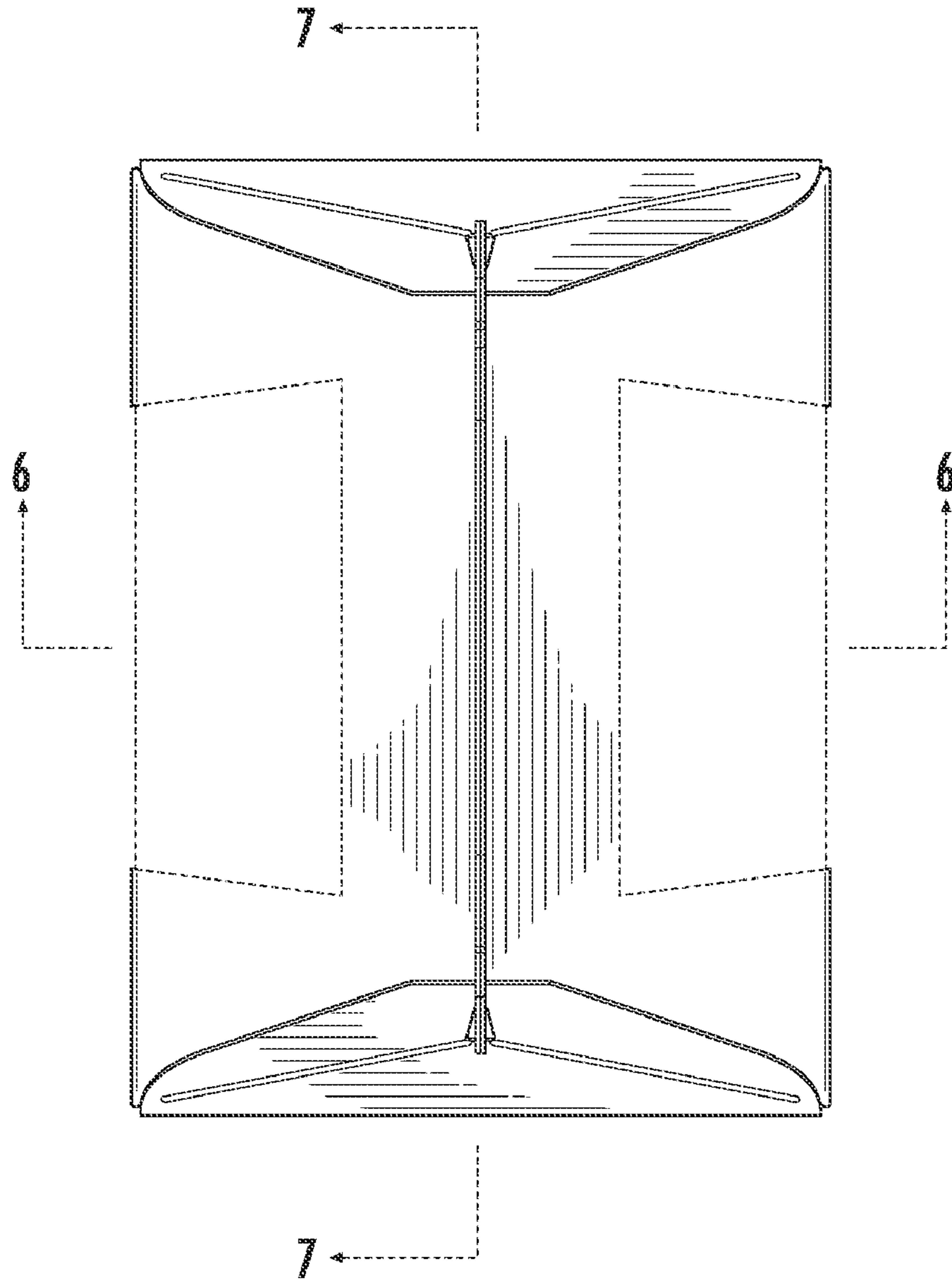


FIG. 4

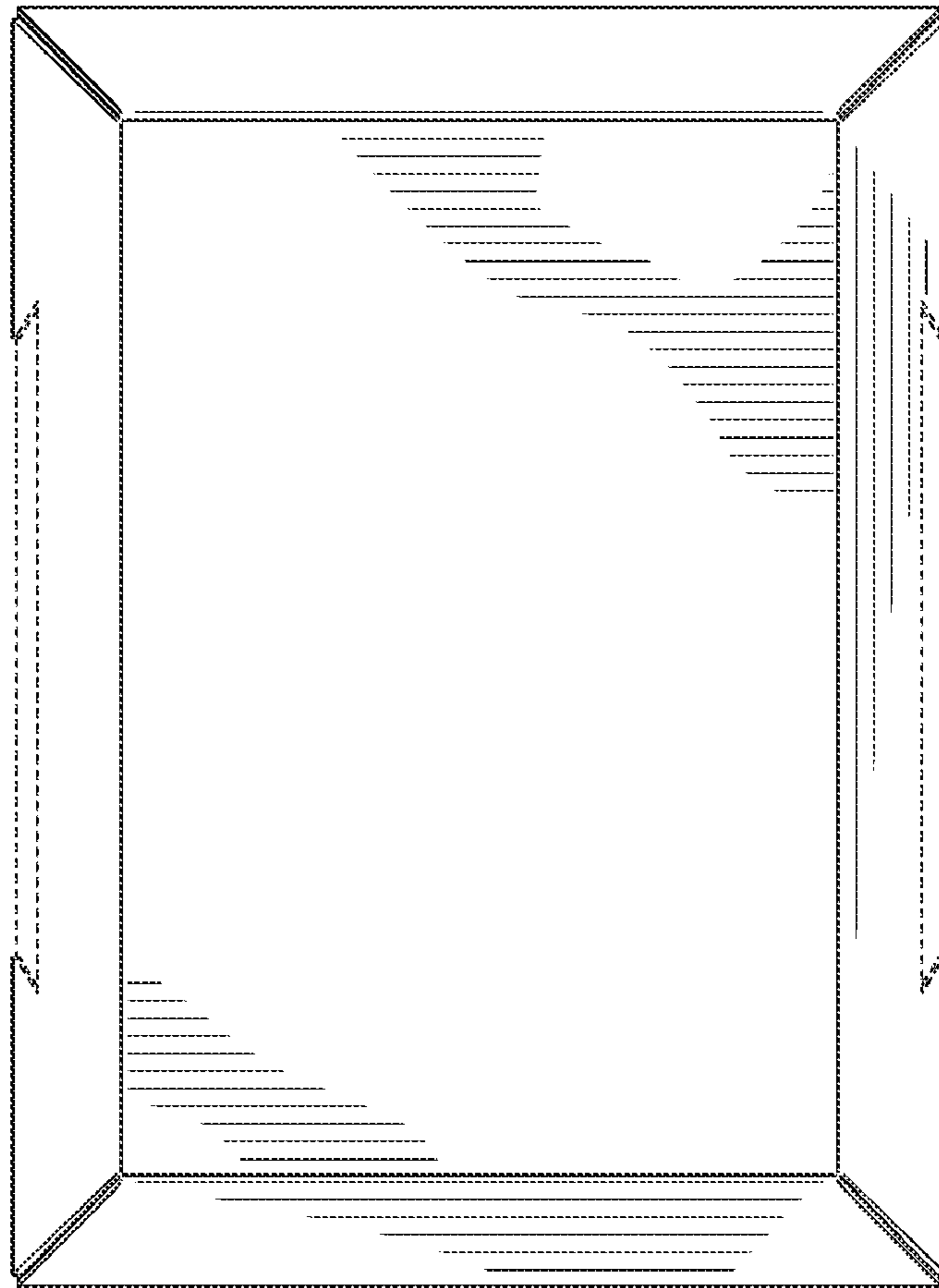


FIG. 5

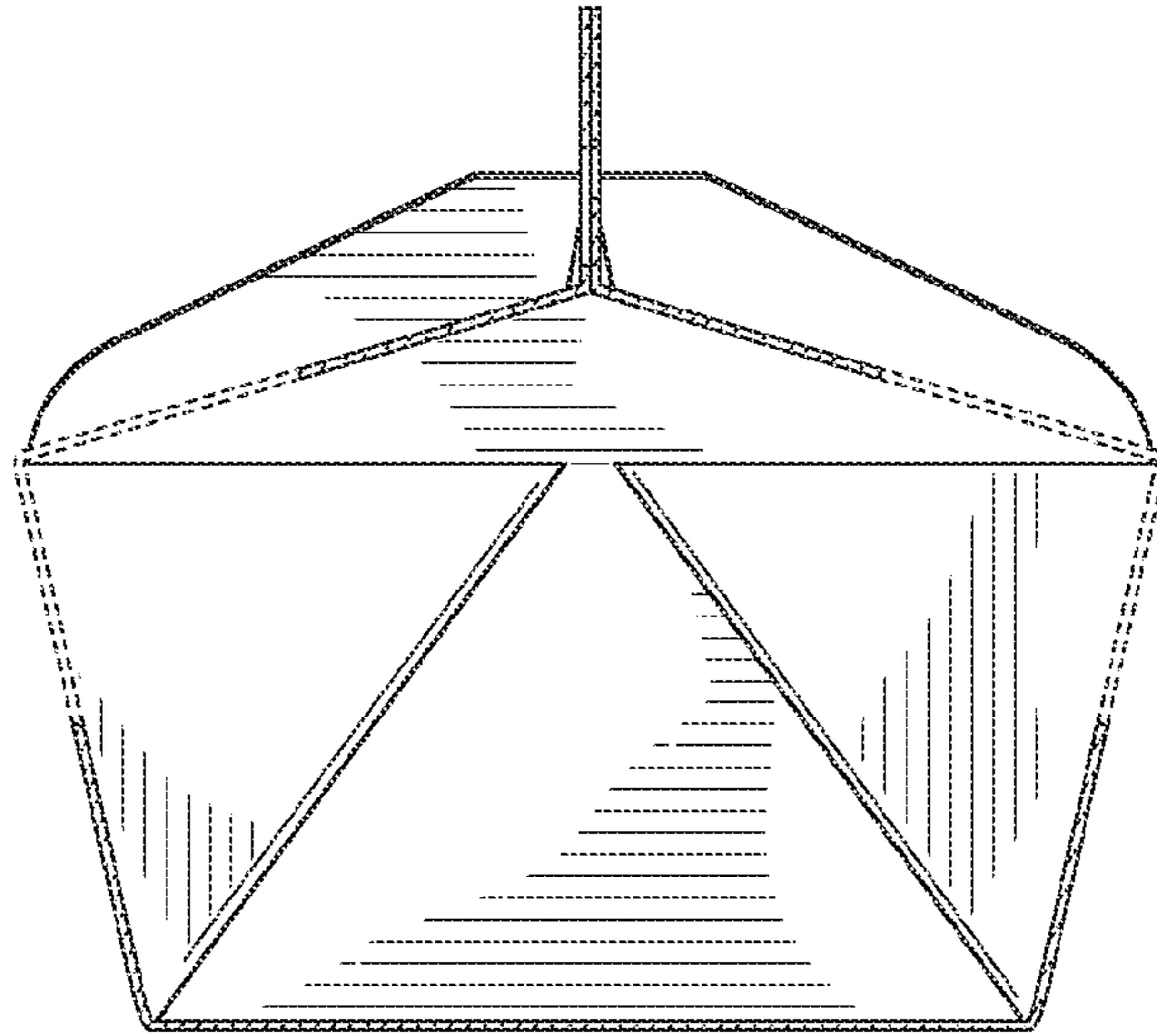


FIG. 6

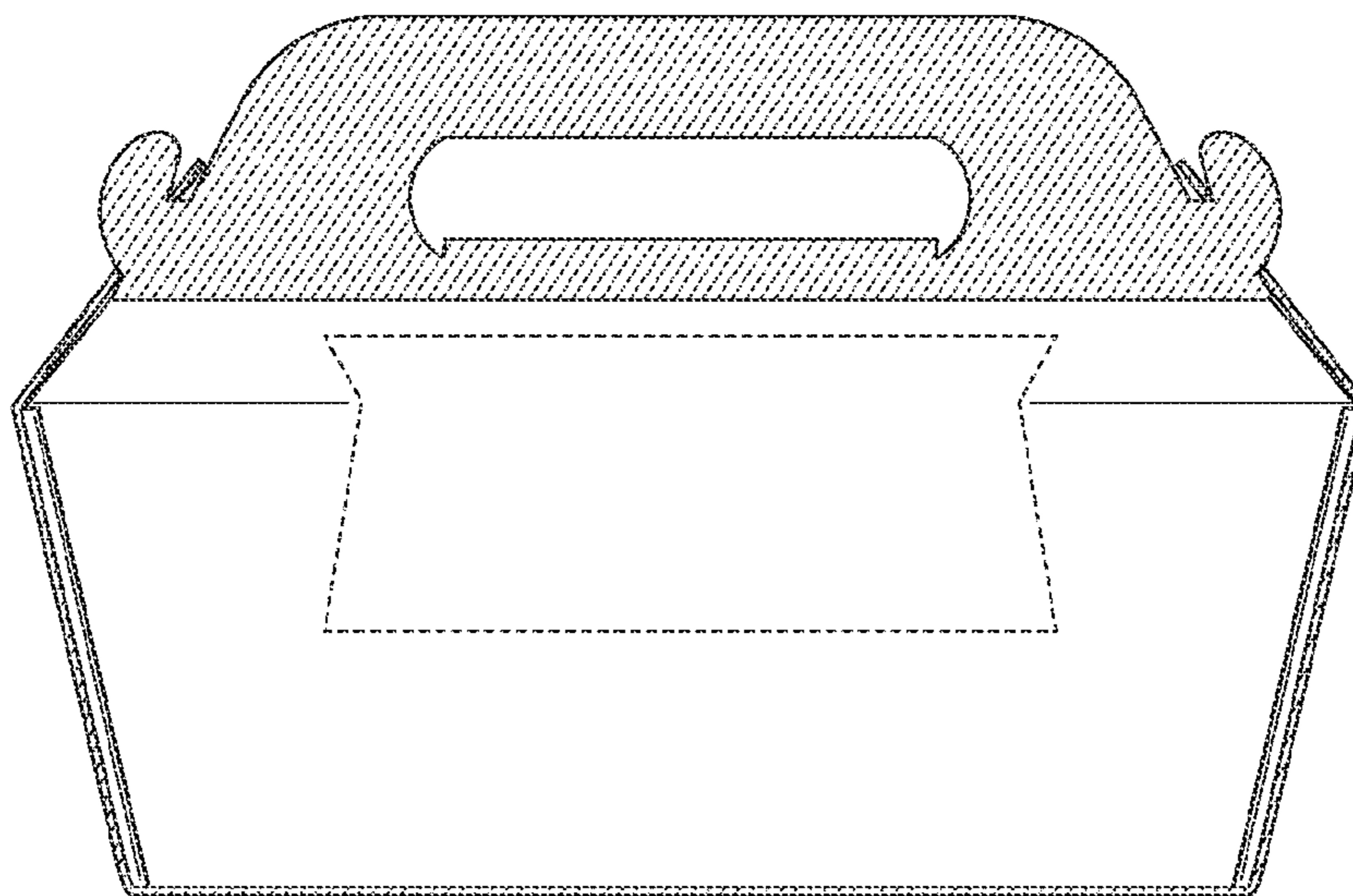


FIG. 7

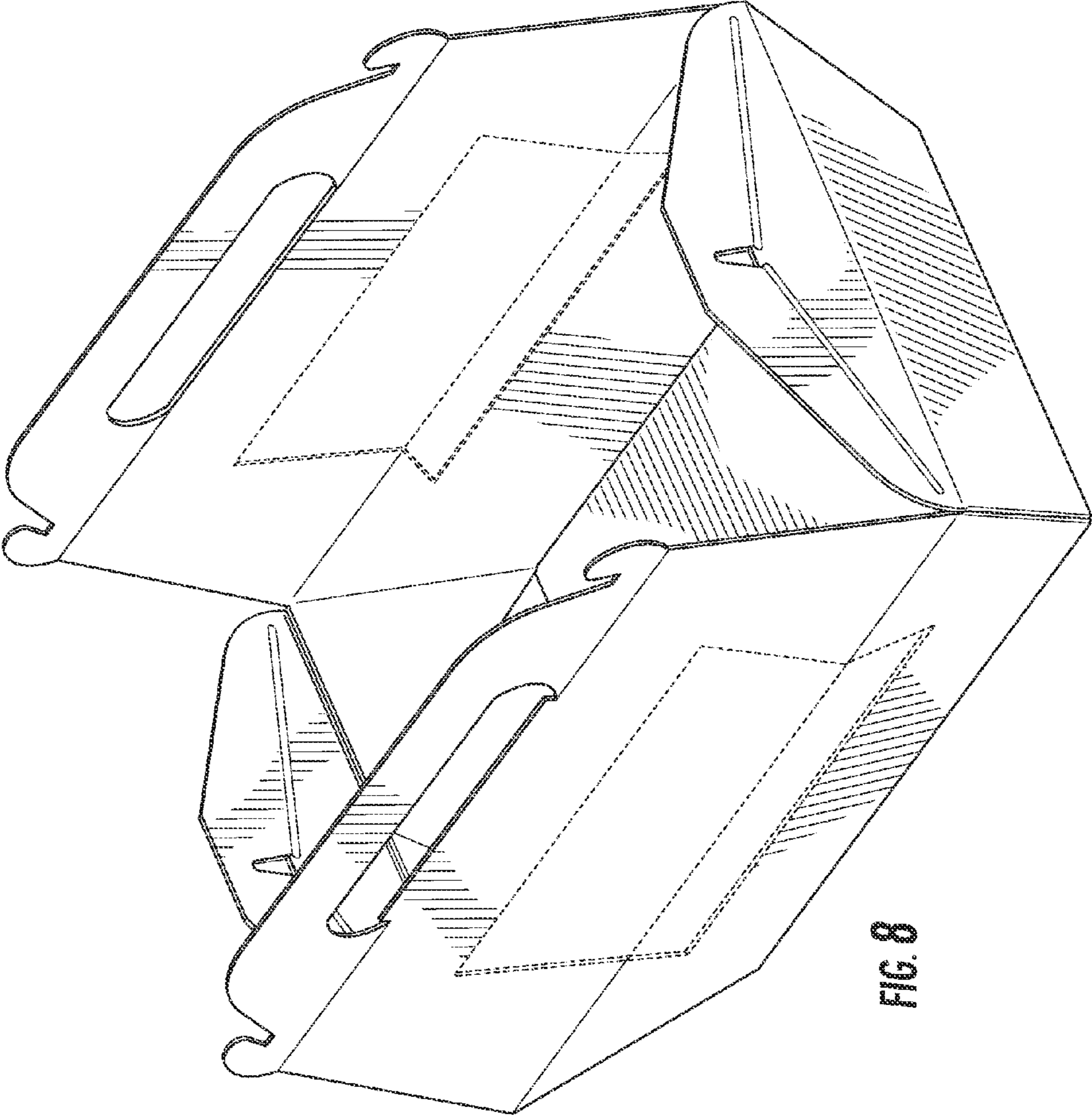


FIG. 8

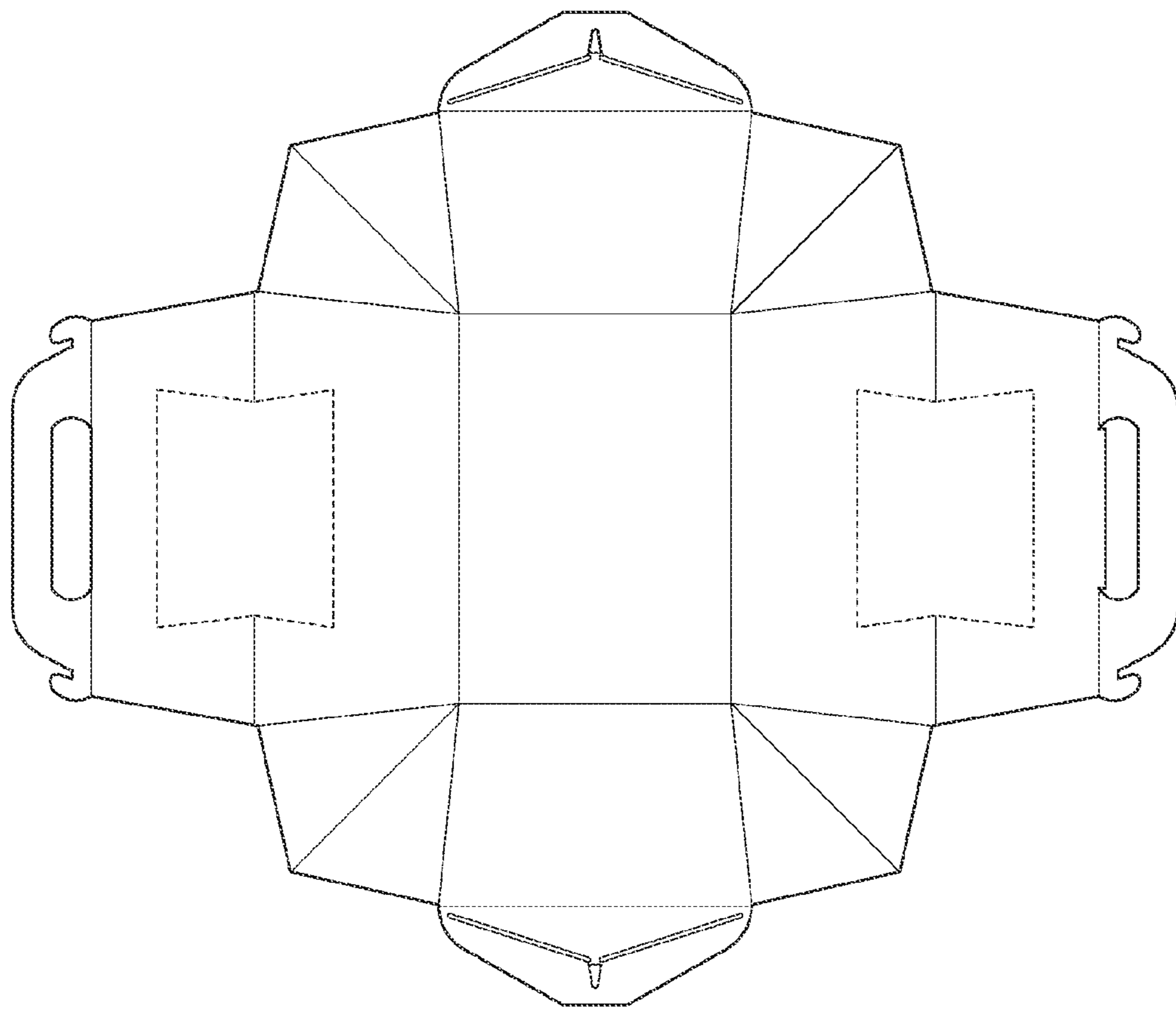


FIG. 9