



US00D674689S

(12) **United States Design Patent**
Chen

(10) **Patent No.:** **US D674,689 S**

(45) **Date of Patent:** **** Jan. 22, 2013**

(54) **DOUBLE SEAL FOOD CONTAINER**

(76) Inventor: **Ya-Chien Chen**, Taipei (TW)

(**) Term: **14 Years**

(21) Appl. No.: **29/397,958**

(22) Filed: **Jul. 25, 2011**

(51) **LOC (9) Cl.** **09-03**

(52) **U.S. Cl.** **D9/429**

(58) **Field of Classification Search** D9/414,
D9/416, 418, 423, 425, 428-431, 454, 542;
D7/538, 540, 542, 550.1, 565, 584, 602, 629;
206/501-509, 512; 220/4.23-4.24, 23.86,
220/780-781, 791-793, 835, 839; 428/34.1,
428/35.7, 36.5-36.8

See application file for complete search history.

(56) **References Cited**

U.S. PATENT DOCUMENTS

D370,300 S *	5/1996	Gottvald et al.	D27/172
D371,938 S *	7/1996	Davis	D7/540
D424,719 S *	5/2000	Freeman	D26/20
D442,860 S *	5/2001	Symons et al.	D9/428
D468,202 S *	1/2003	Chou	D9/429
D489,004 S *	4/2004	Parman	D9/428

D547,661 S *	7/2007	Blasko et al.	D9/529
D556,569 S *	12/2007	Stein et al.	D9/428
D664,033 S *	7/2012	Liang et al.	D9/428

* cited by examiner

Primary Examiner — Thomas Johannes

(74) *Attorney, Agent, or Firm* — Rosenberg, Klein & Lee

(57) **CLAIM**

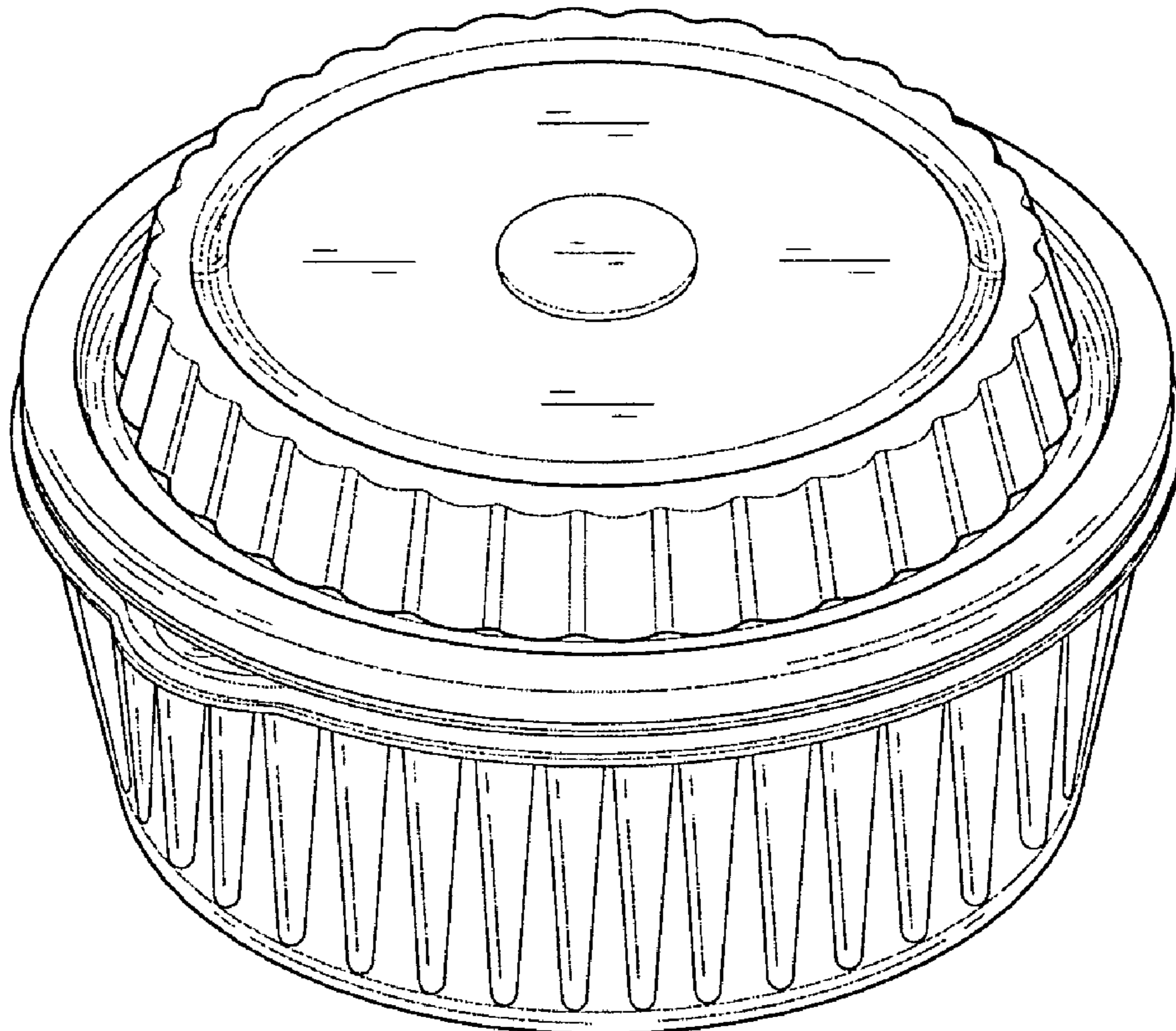
The ornamental design for a double seal food container, as shown and described.

DESCRIPTION

FIG. 1 is a perspective view of a double seal food container showing my new design;
FIG. 2 is a front elevational view thereof;
FIG. 3 is a rear elevational view thereof;
FIG. 4 is a left side elevational view thereof; the opposite side being a mirror image of the shown;
FIG. 5 is a top plan view thereof;
FIG. 6 is a bottom plan view thereof, and,
FIG. 7 is an enlarged cross-sectional view thereof taken in the direction of 7-7 in FIG. 5.

The broken line portion of FIG. 6 is included to show unclaimed subject matter only and forms no part of the claimed design.

1 Claim, 5 Drawing Sheets



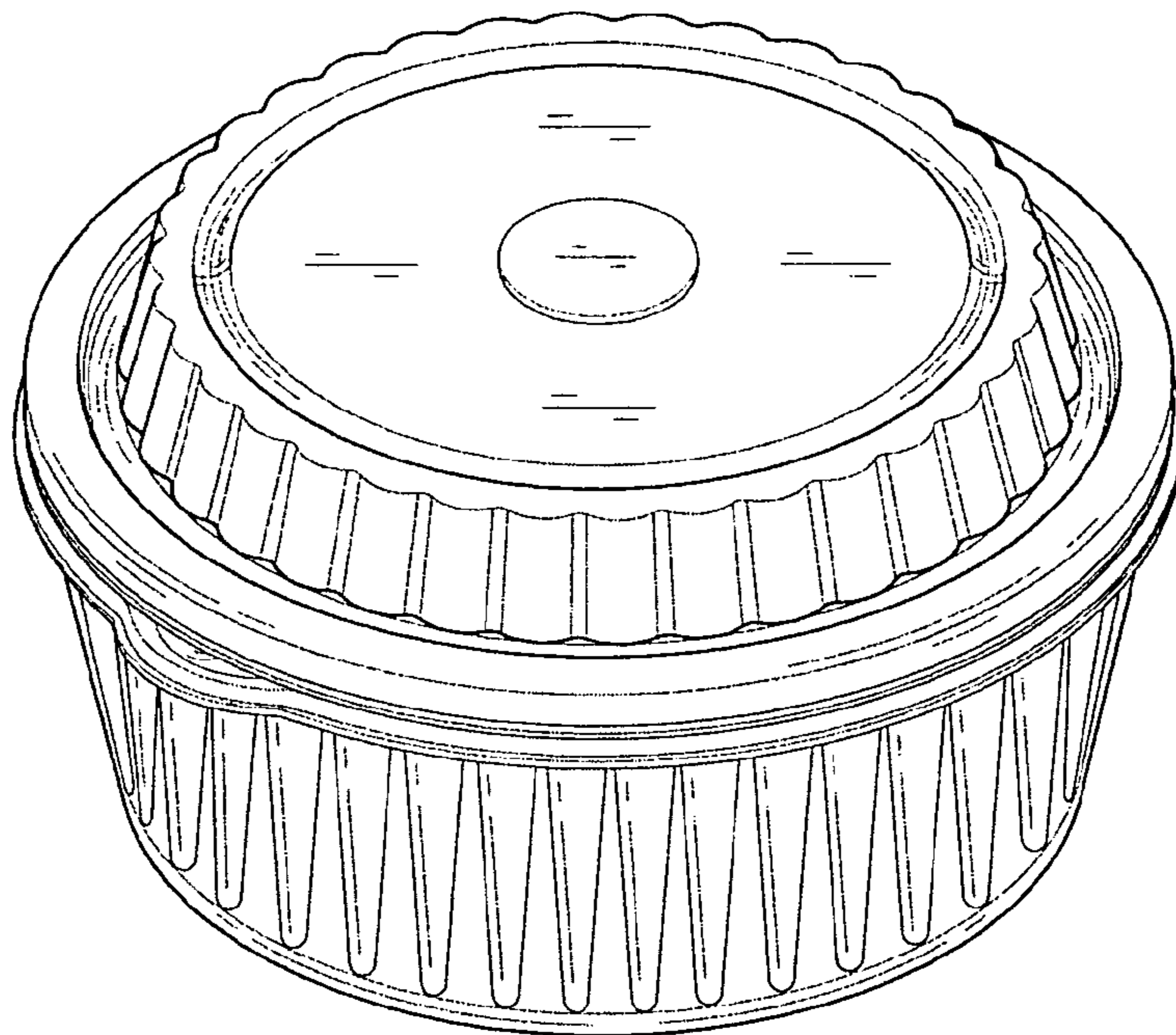


FIG.1

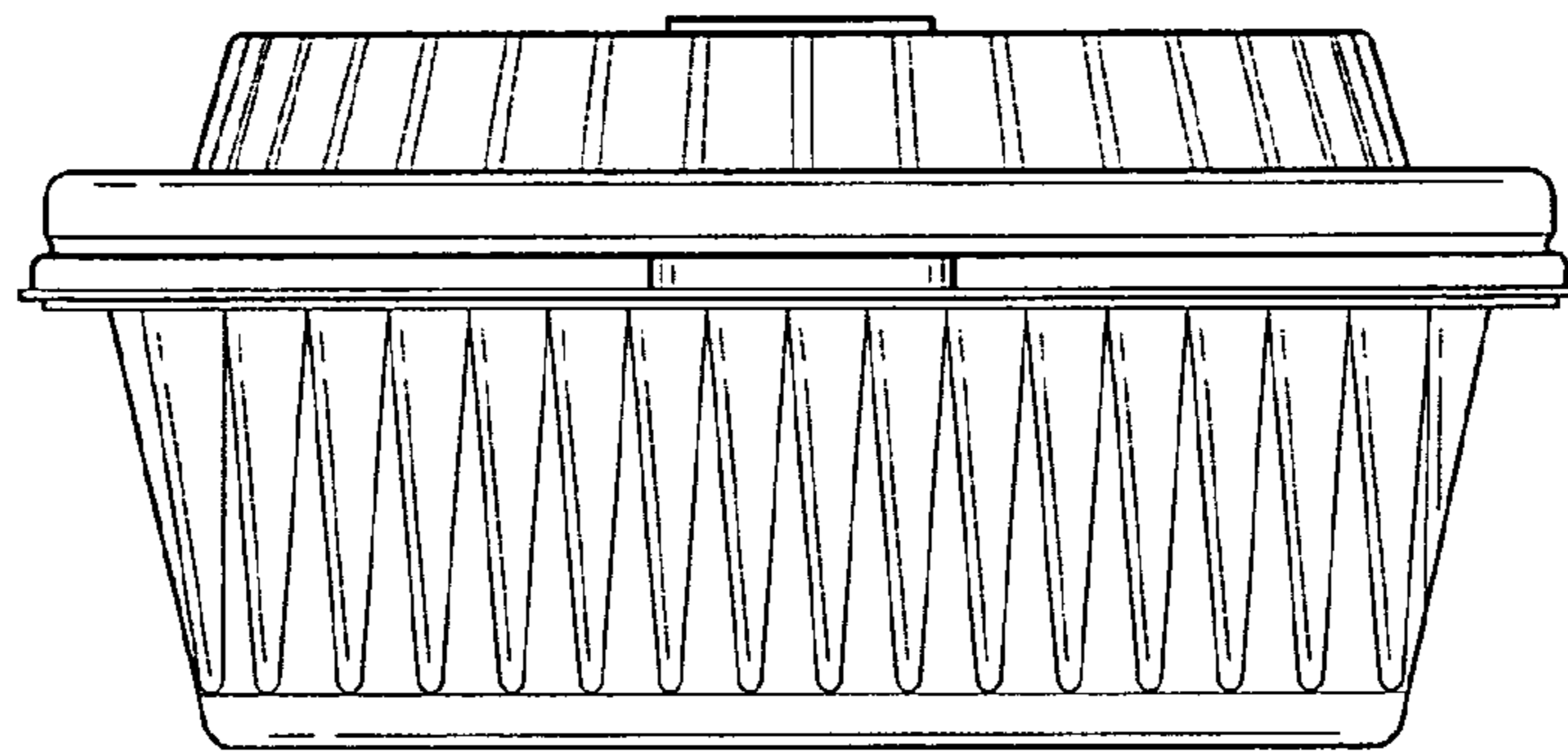


FIG. 2

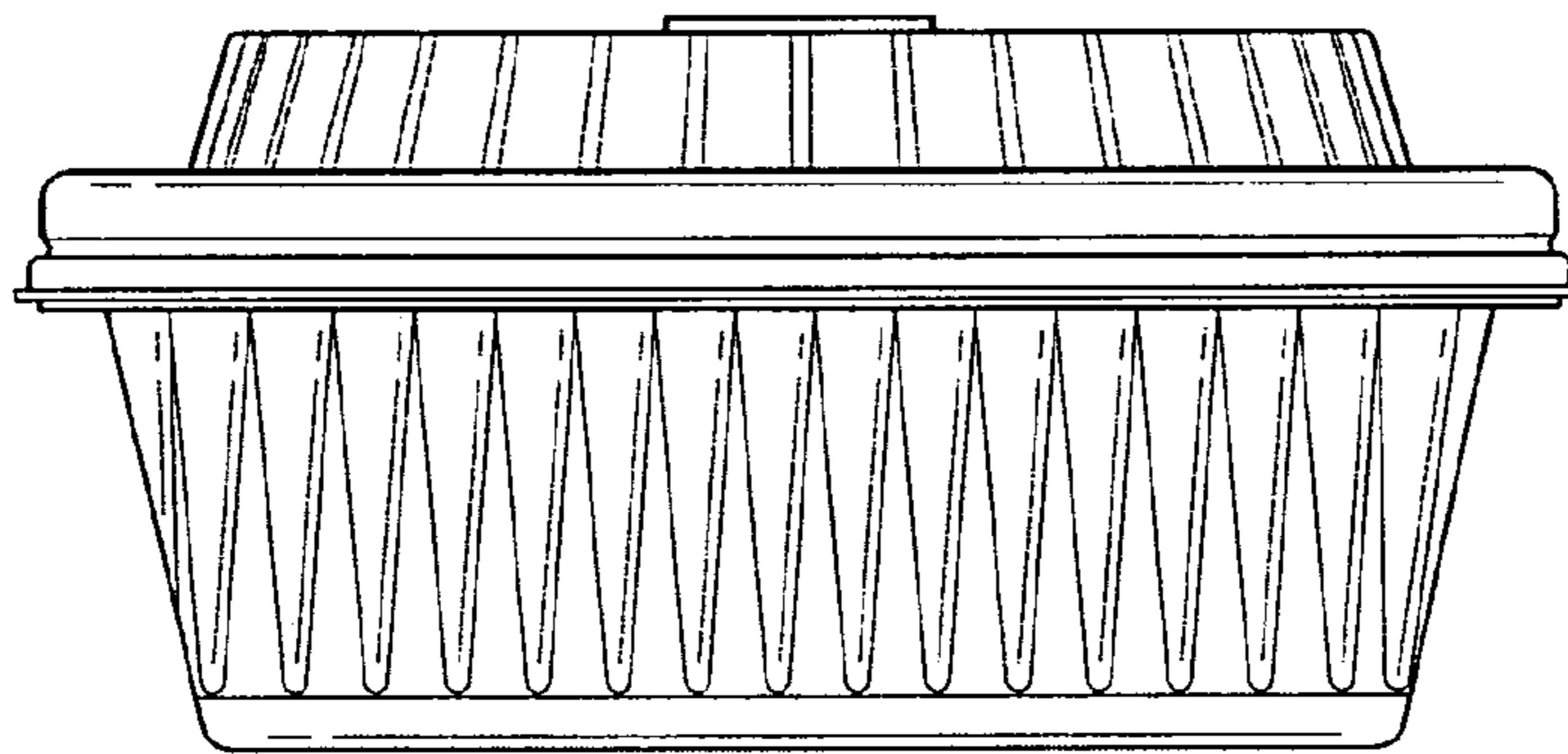


FIG. 3

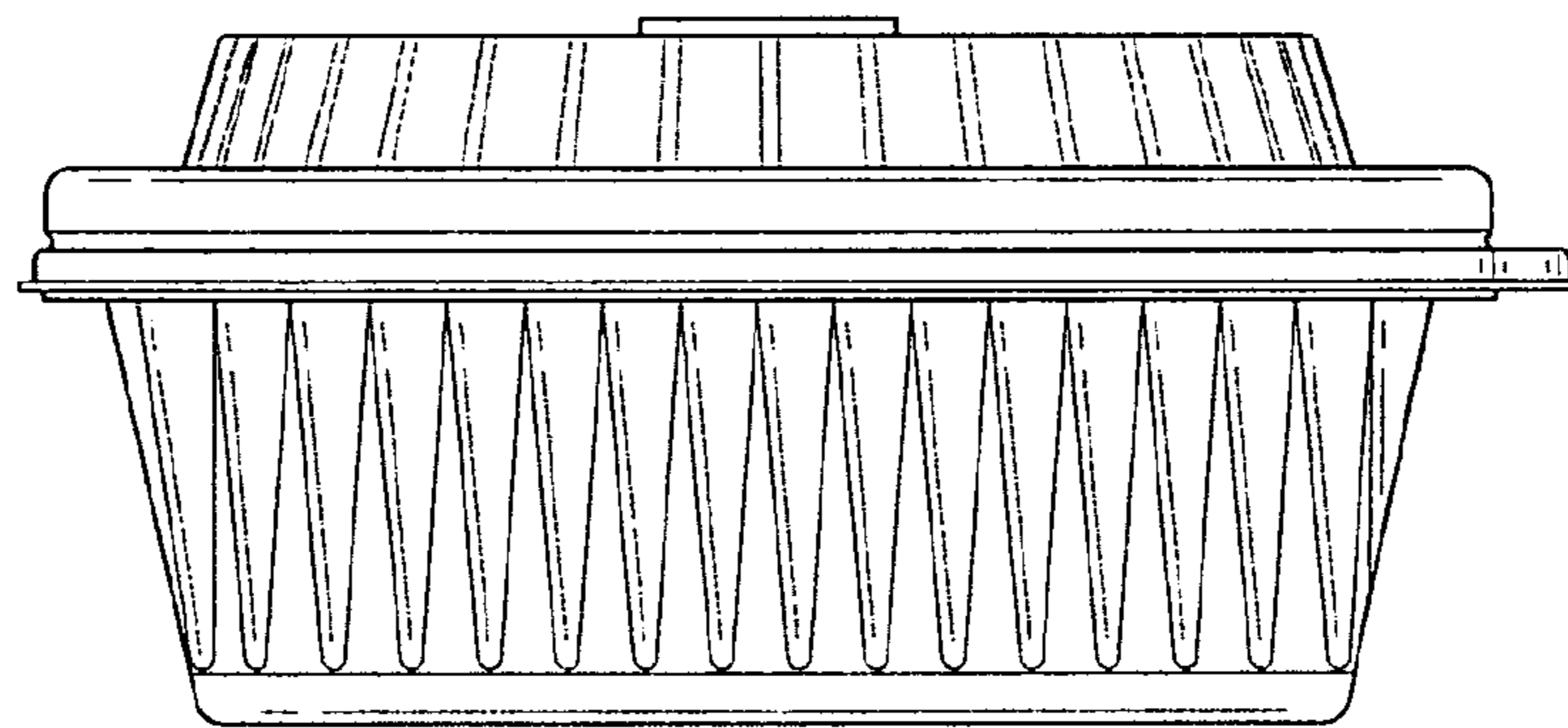


FIG.4

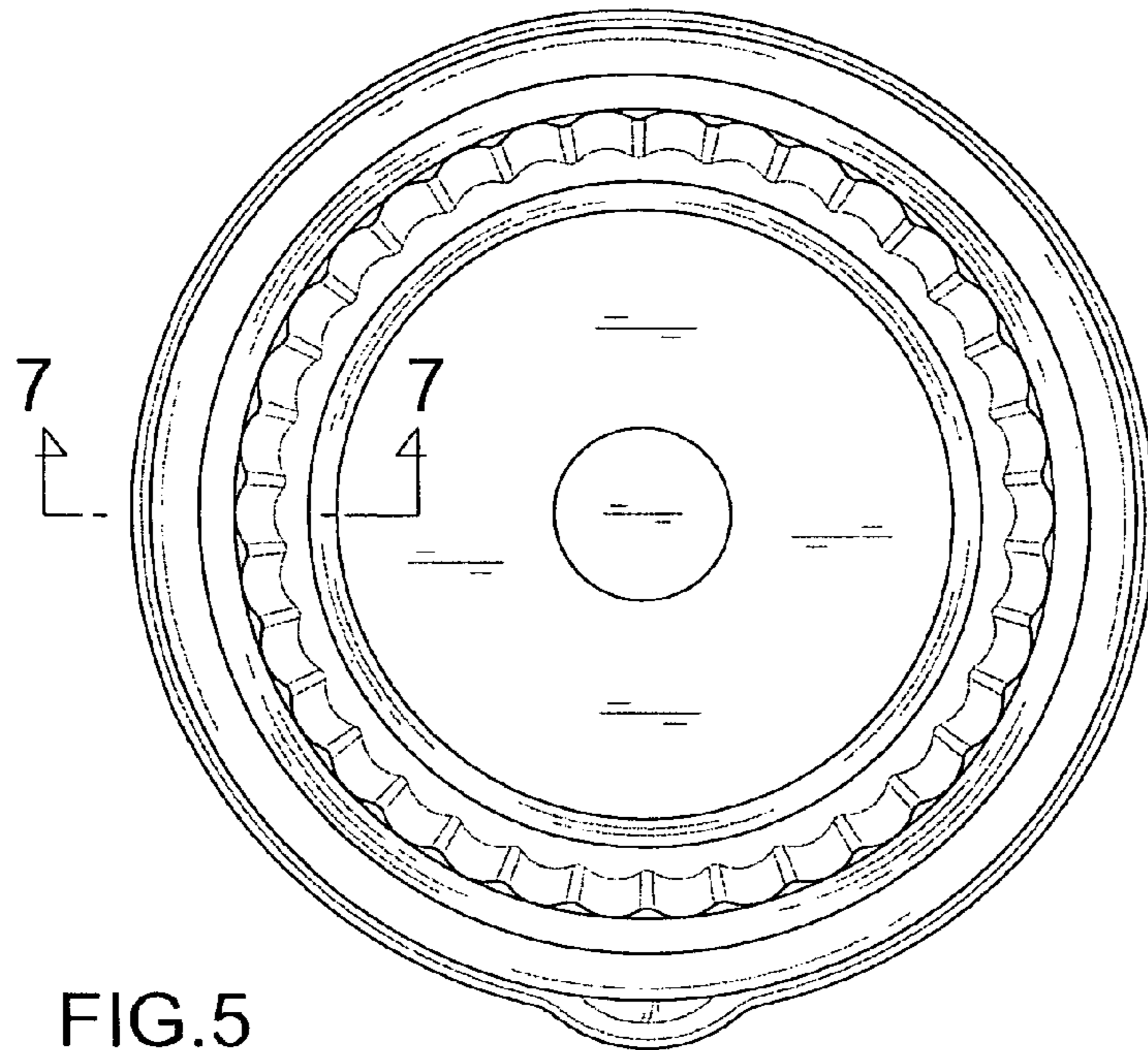


FIG.5

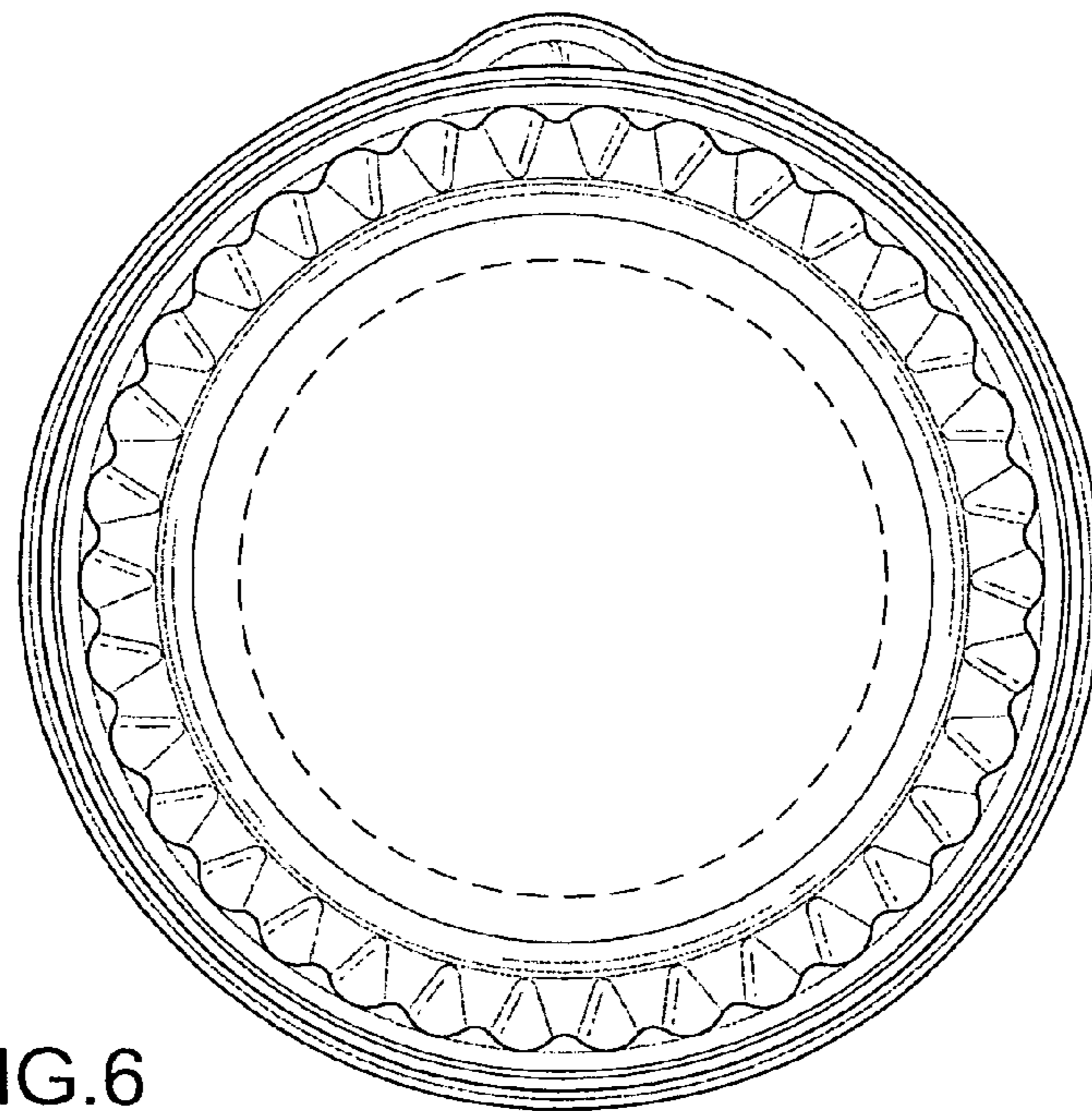


FIG.6

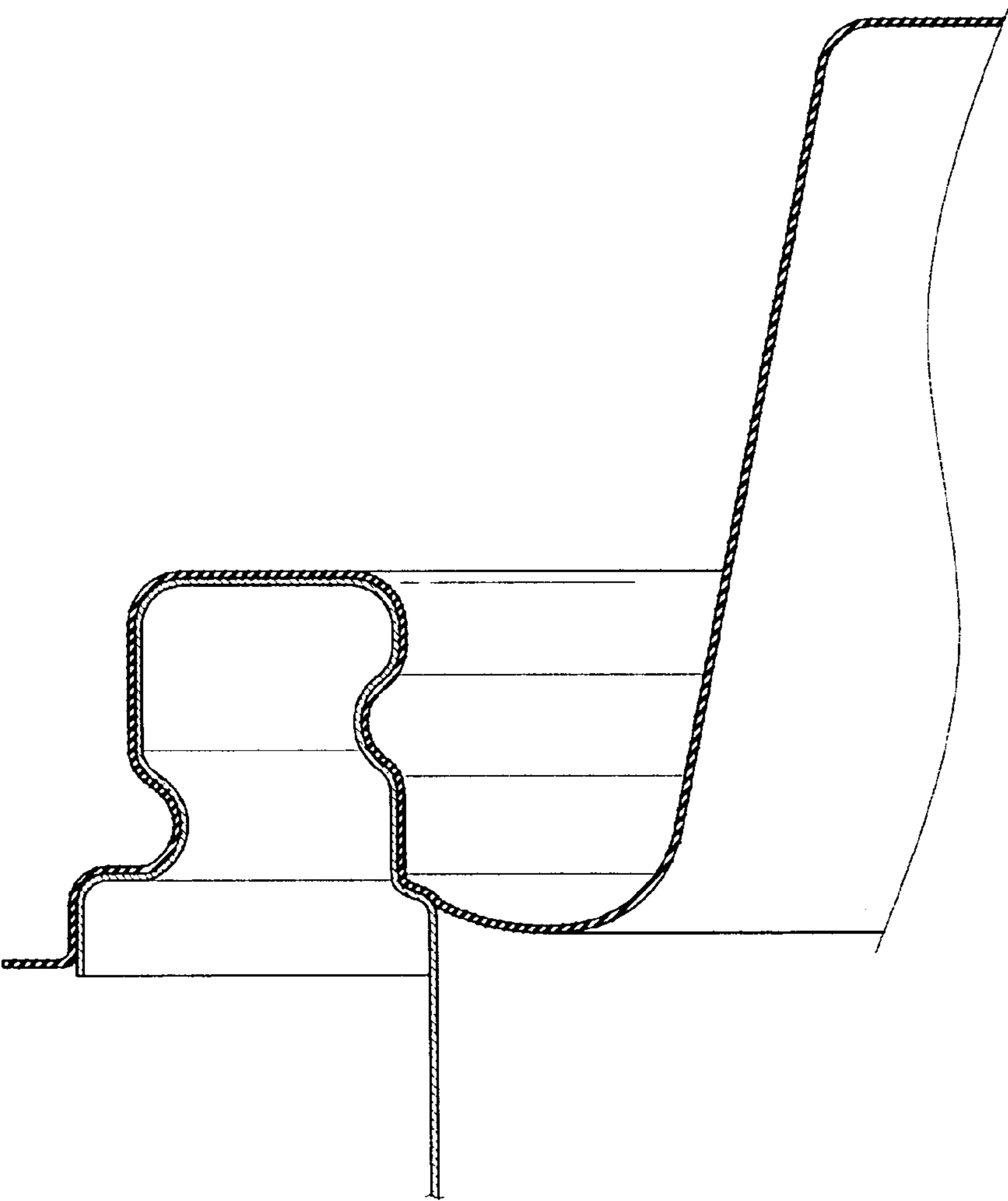


FIG.7