



US00D674686S

(12) **United States Design Patent**
Starke

(10) **Patent No.:** **US D674,686 S**
(45) **Date of Patent:** **** Jan. 22, 2013**

(54) **ANGLE WASHER**

(75) Inventor: **Johannes Starke**, Ellhofen (DE)

(73) Assignee: **Wuerth International AG**, Chur (CH)

(**) Term: **14 Years**

(21) Appl. No.: **29/391,942**

(22) Filed: **May 15, 2011**

(30) **Foreign Application Priority Data**

Nov. 18, 2010 (EM) 001783242-0001

(51) **LOC (9) Cl.** **08-08**

(52) **U.S. Cl.** **D8/399**

(58) **Field of Classification Search** D8/397,
D8/394, 382, 349, 399, 356, 363, 352; 403/291,
403/309, 300, 301, 310, 311, 403; 411/427,
411/429, 432, 918, 180
See application file for complete search history.

(56) **References Cited**

U.S. PATENT DOCUMENTS

2,905,743 A * 9/1959 Sylvester 174/73.1
D321,471 S * 11/1991 Stumpf et al. D8/400

D364,795 S * 12/1995 Mekyska D8/354
D514,518 S * 2/2006 Strayer D13/139.4
D629,286 S * 12/2010 Laskowski D8/356
D649,021 S * 11/2011 Jariwala et al. D8/367

OTHER PUBLICATIONS

“Die Neue 45° Winkelscheibe” (“The new 45° Angle Washer”);
Wuerth GmbH product literature, May 2011.

* cited by examiner

Primary Examiner — Cynthia Underwood

(74) *Attorney, Agent, or Firm* — Andrew Wilford

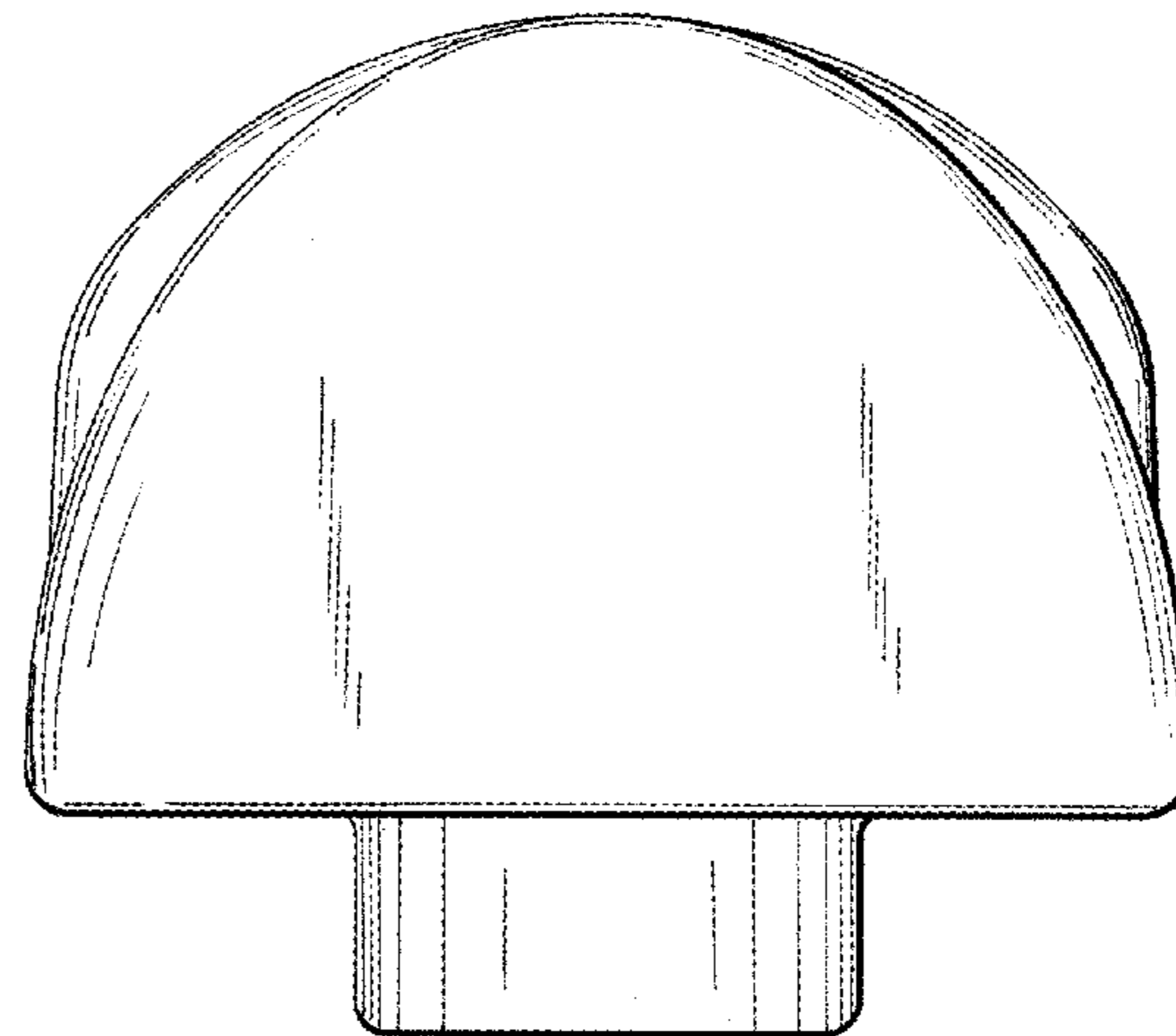
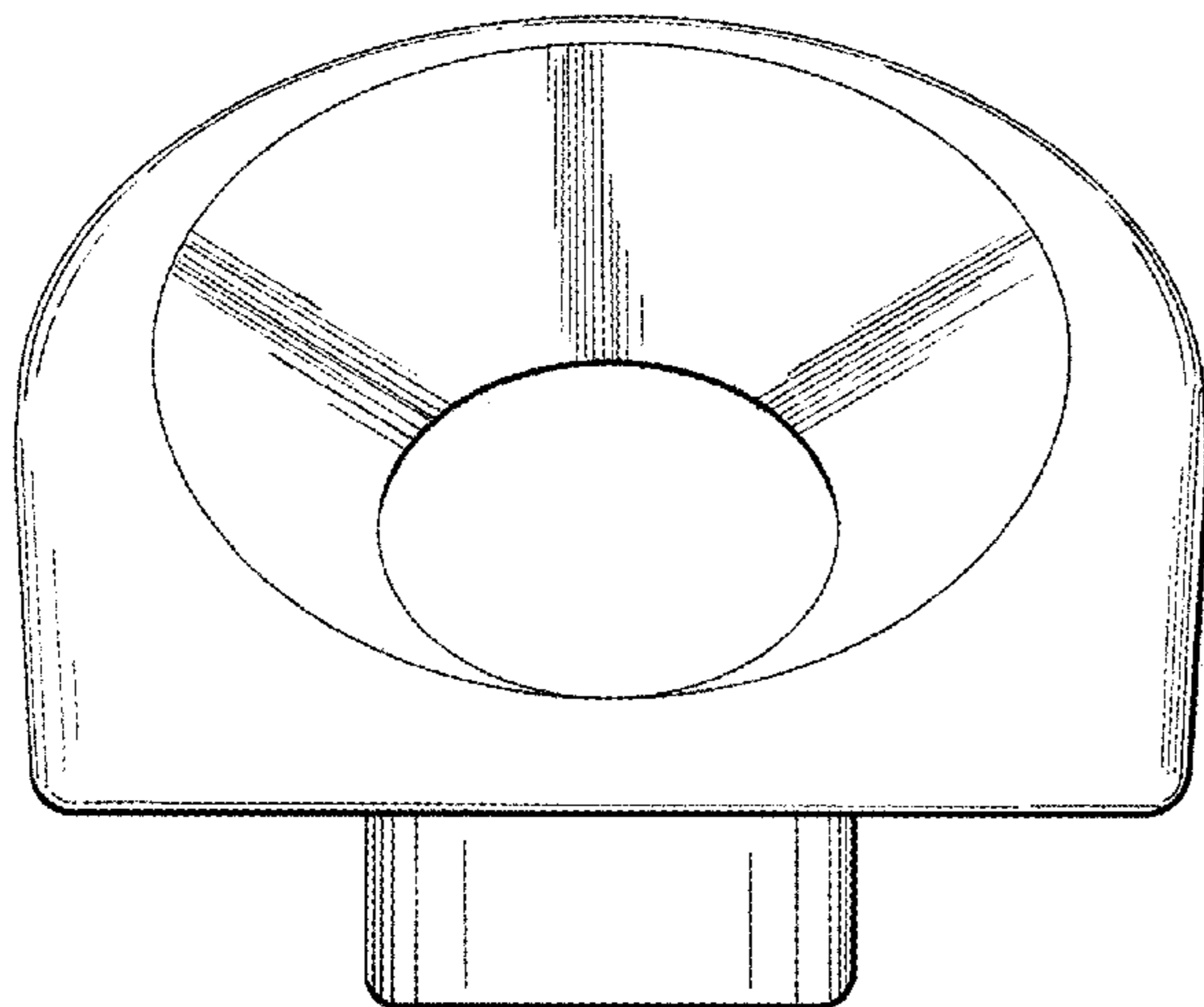
(57) **CLAIM**

The ornamental design for an angle washer, as shown and described.

DESCRIPTION

FIG. 1 is a front end view of the invention;
FIG. 2 is a rear end view of the invention;
FIG. 3 is a top view of the invention;
FIG. 4 is a bottom view of the invention; and,
FIG. 5 is a side view of the invention, the other side view
being a mirror image thereof.

1 Claim, 4 Drawing Sheets



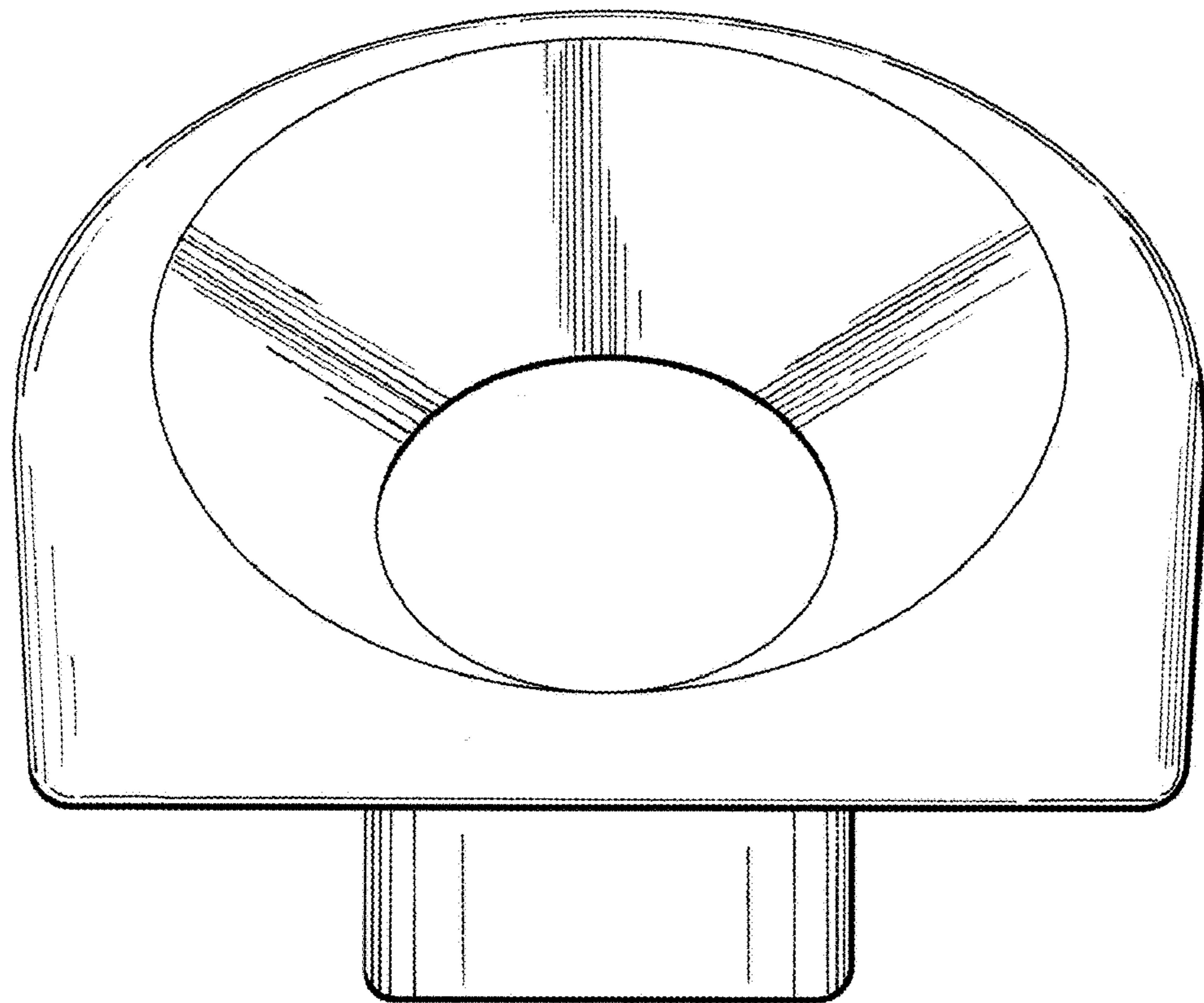


Fig. 1

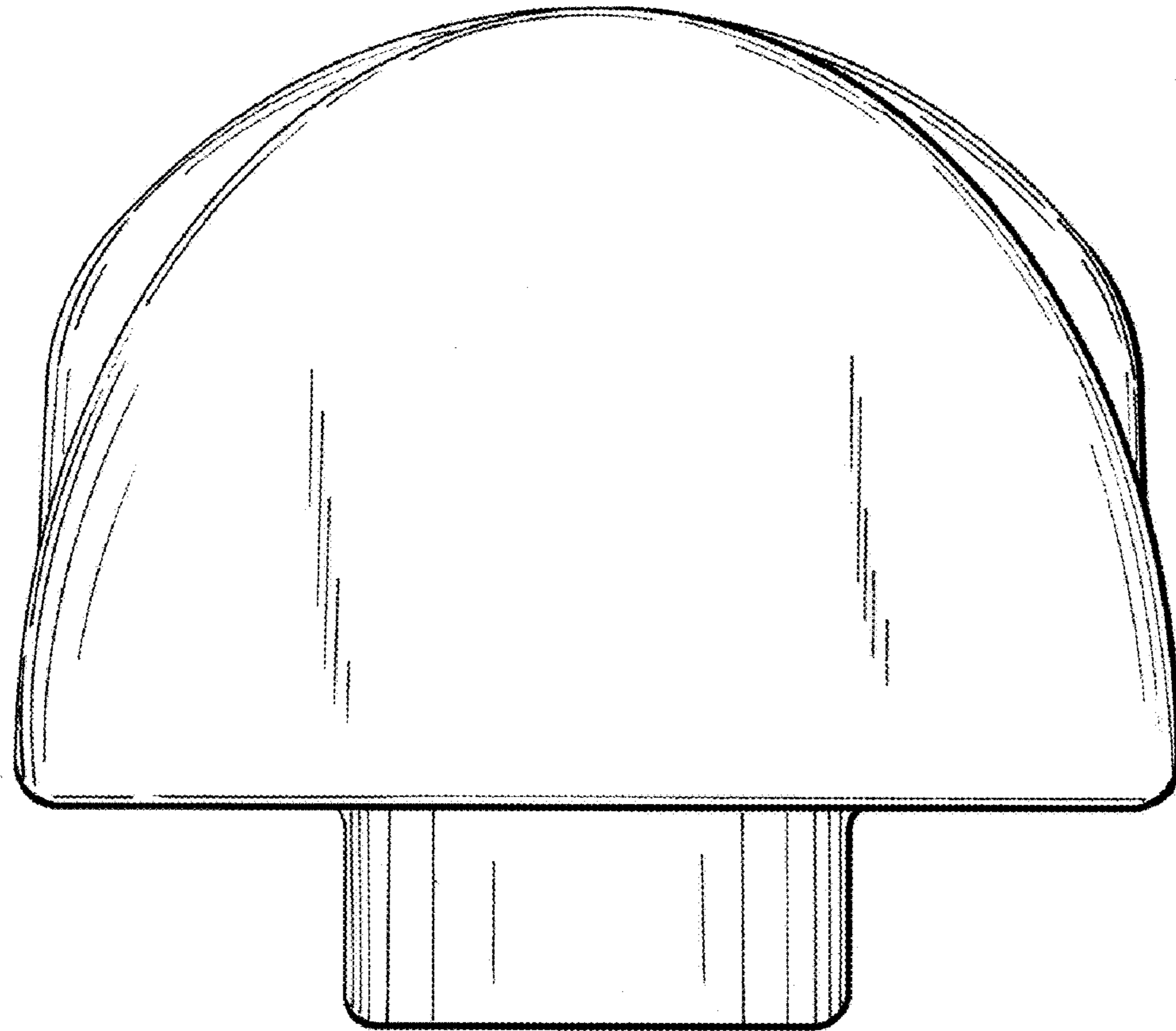


Fig. 2

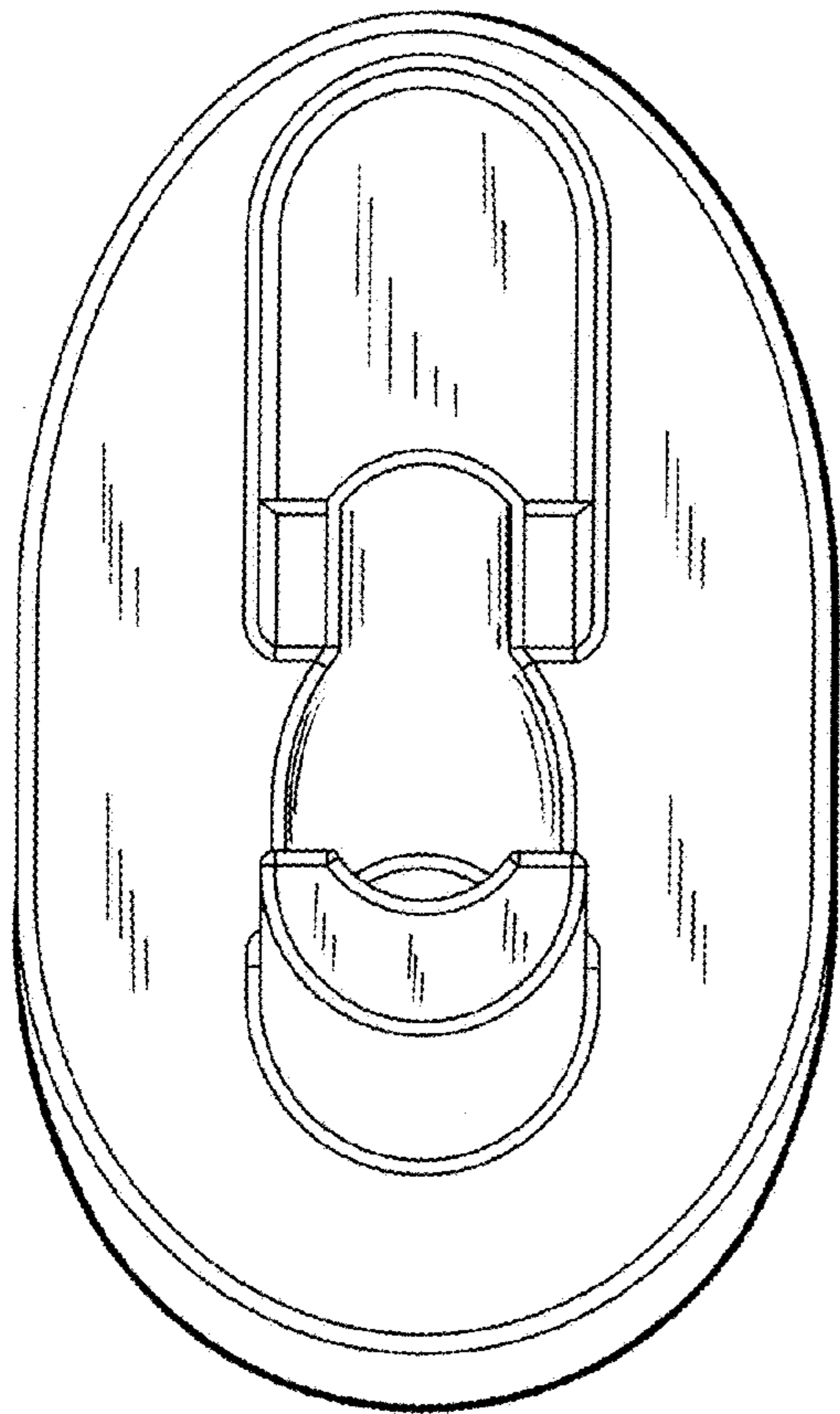


Fig. 3

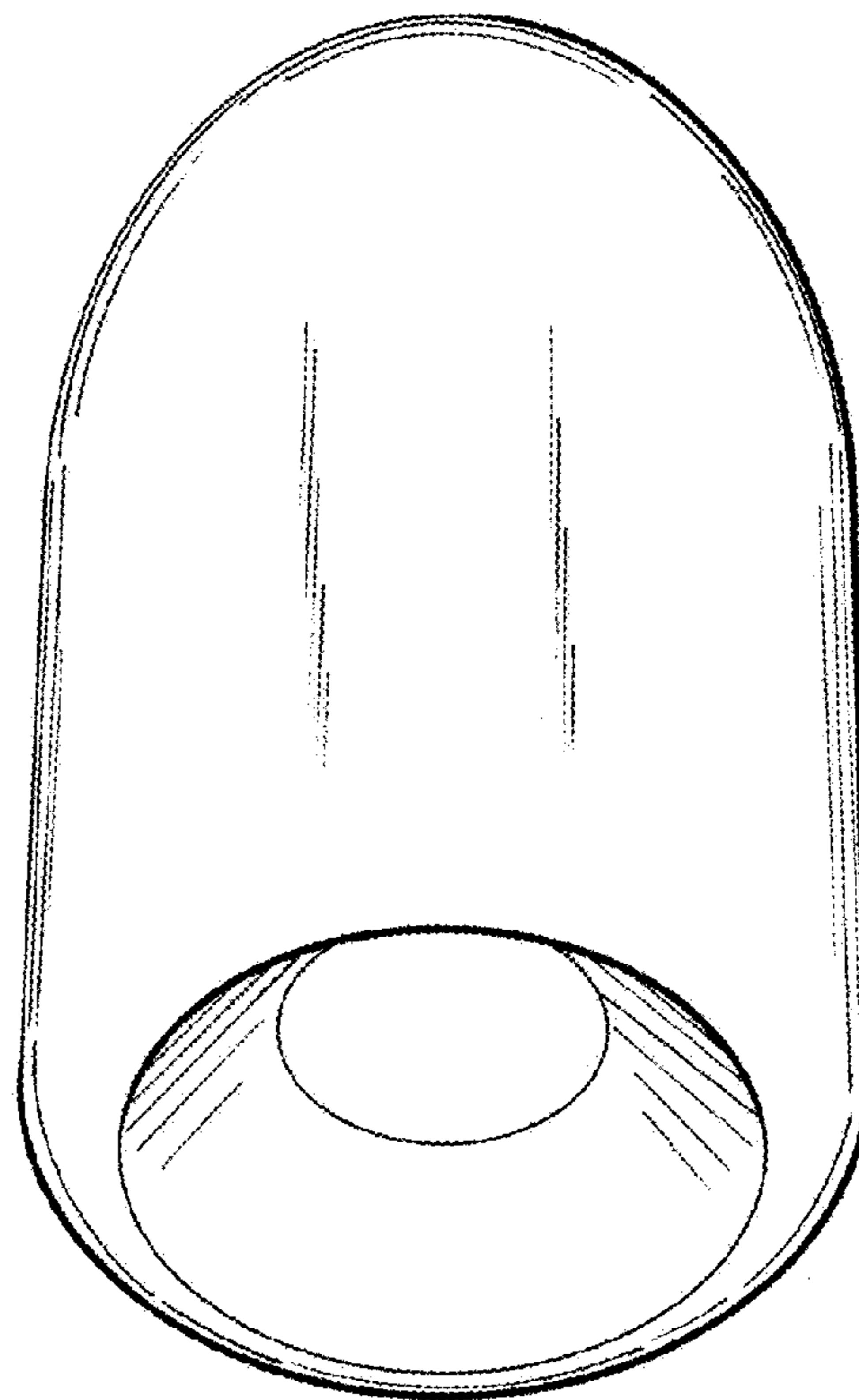


Fig. 4

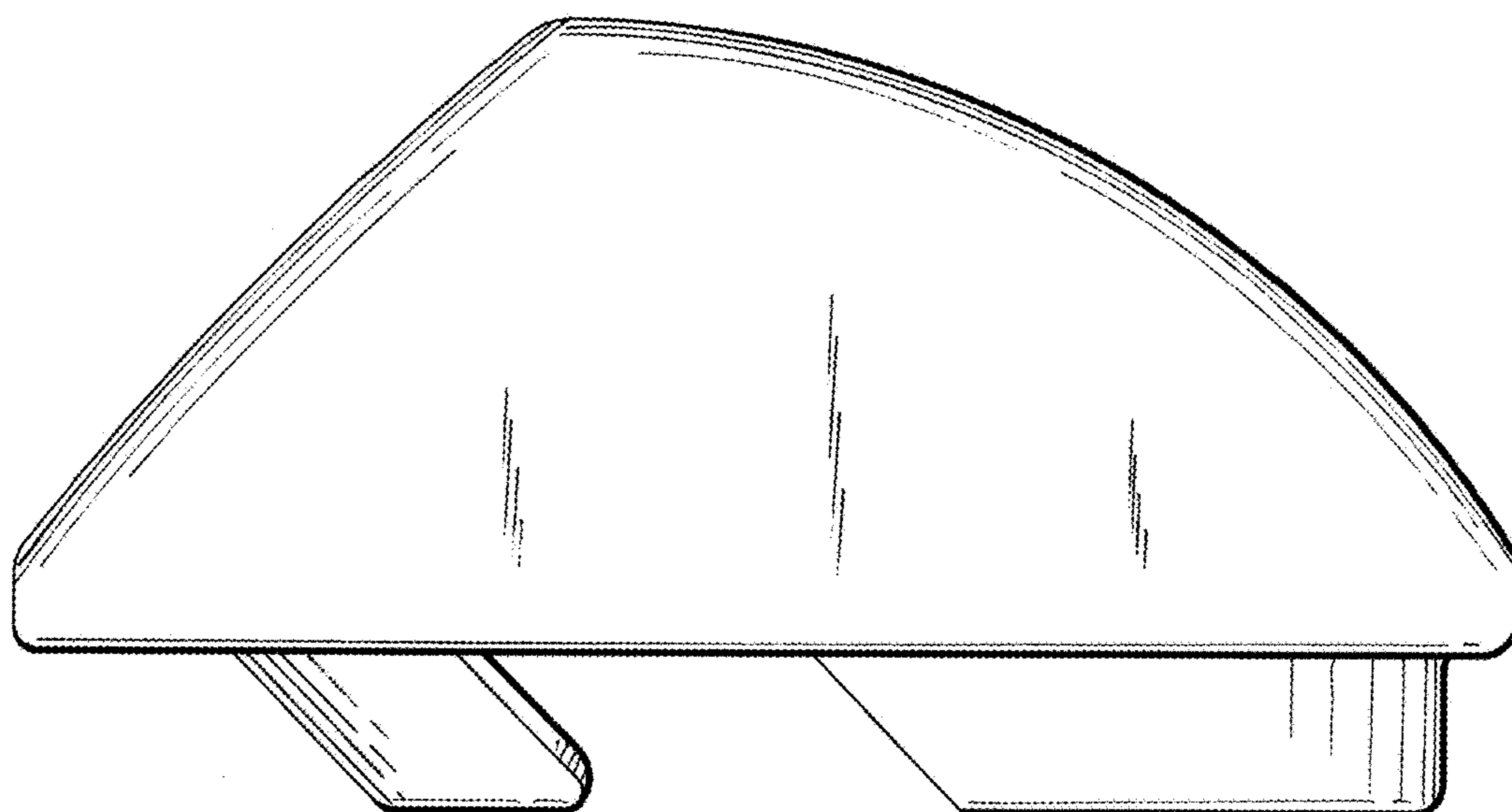


Fig. 5