



US00D674685S

(12) **United States Design Patent**  
**Dixon**

(10) **Patent No.:** **US D674,685 S**  
(45) **Date of Patent:** **\*\* Jan. 22, 2013**

- (54) **CLIP**
- (75) **Inventor:** **Ian Dixon**, Nashville, TN (US)
- (73) **Assignee:** **Fontaine Spray Suppression Company**, Springfield, TN (US)
- (\*\*) **Term:** **14 Years**
- (21) **Appl. No.:** **29/392,700**
- (22) **Filed:** **May 25, 2011**
- (51) **LOC (9) Cl.** ..... **08-08**
- (52) **U.S. Cl.** ..... **D8/395**
- (58) **Field of Classification Search** ..... D8/354, D8/356, 371, 394-396; D19/65, 86; D24/128; 248/74.2, 215, 227.1, 49, 300, 301, 316.7, 248/51, 489; 24/570, 3.12; D32/61; D11/78.1  
See application file for complete search history.

|              |      |         |                          |       |             |
|--------------|------|---------|--------------------------|-------|-------------|
| D478,501     | S *  | 8/2003  | Yoko                     | ..... | D8/395      |
| 6,619,366    | B2 * | 9/2003  | Ciuca                    | ..... | 160/176.1 R |
| 6,899,305    | B2 * | 5/2005  | Korczak et al.           | ..... | 248/68.1    |
| 7,048,028    | B2 * | 5/2006  | Wolfe et al.             | ..... | 160/173 R   |
| 7,143,562    | B2 * | 12/2006 | Krantz-Lilienthal et al. | ..... | 52/506.06   |
| D543,447     | S *  | 5/2007  | Allsopp                  | ..... | D8/394      |
| 7,284,736    | B2 * | 10/2007 | Franssen                 | ..... | 248/251     |
| D586,718     | S *  | 2/2009  | Morita et al.            | ..... | D12/223     |
| D606,852     | S *  | 12/2009 | Boyd                     | ..... | D8/395      |
| 7,766,068    | B2 * | 8/2010  | Andersen                 | ..... | 160/173 R   |
| 7,788,875    | B2 * | 9/2010  | Wendt                    | ..... | 52/712      |
| D632,554     | S *  | 2/2011  | Grzyb                    | ..... | D8/395      |
| 7,930,864    | B2 * | 4/2011  | Wendt                    | ..... | 52/712      |
| D658,114     | S *  | 4/2012  | Gammelgard               | ..... | D12/417     |
| 2003/0155474 | A1 * | 8/2003  | Dean et al.              | ..... | 248/300     |
| 2009/0152422 | A1 * | 6/2009  | Ng et al.                | ..... | 248/265     |

\* cited by examiner

*Primary Examiner* — John Windmuller  
(74) *Attorney, Agent, or Firm* — George P. Kohler, Esq.; Lanier Ford Shaver & Payne P.C.

(56) **References Cited**

U.S. PATENT DOCUMENTS

|           |      |         |                |       |             |
|-----------|------|---------|----------------|-------|-------------|
| 2,453,980 | A *  | 11/1948 | Hartman        | ..... | 248/68.1    |
| 2,627,917 | A *  | 2/1953  | Lind           | ..... | 160/173 R   |
| 2,863,202 | A *  | 12/1958 | Hanna          | ..... | 248/300     |
| 2,941,768 | A *  | 6/1960  | Elms et al.    | ..... | 248/71      |
| 3,131,447 | A *  | 5/1964  | Tinnerman      | ..... | 248/231.81  |
| 3,616,497 | A *  | 11/1971 | Esposito       | ..... | 24/542      |
| 4,763,132 | A *  | 8/1988  | Juds et al.    | ..... | 343/890     |
| 4,813,639 | A *  | 3/1989  | Midkiff et al. | ..... | 248/68.1    |
| D308,936  | S *  | 7/1990  | Arner          | ..... | D8/395      |
| 6,186,457 | B1 * | 2/2001  | Carter         | ..... | 248/251     |
| D443,788  | S *  | 6/2001  | Horsten        | ..... | D6/580      |
| 6,257,530 | B1 * | 7/2001  | Tsai           | ..... | 248/74.2    |
| 6,330,991 | B1 * | 12/2001 | Boe            | ..... | 248/200     |
| 6,354,543 | B1 * | 3/2002  | Paske          | ..... | 248/68.1    |
| 6,382,296 | B1 * | 5/2002  | Judkins        | ..... | 160/178.1 R |

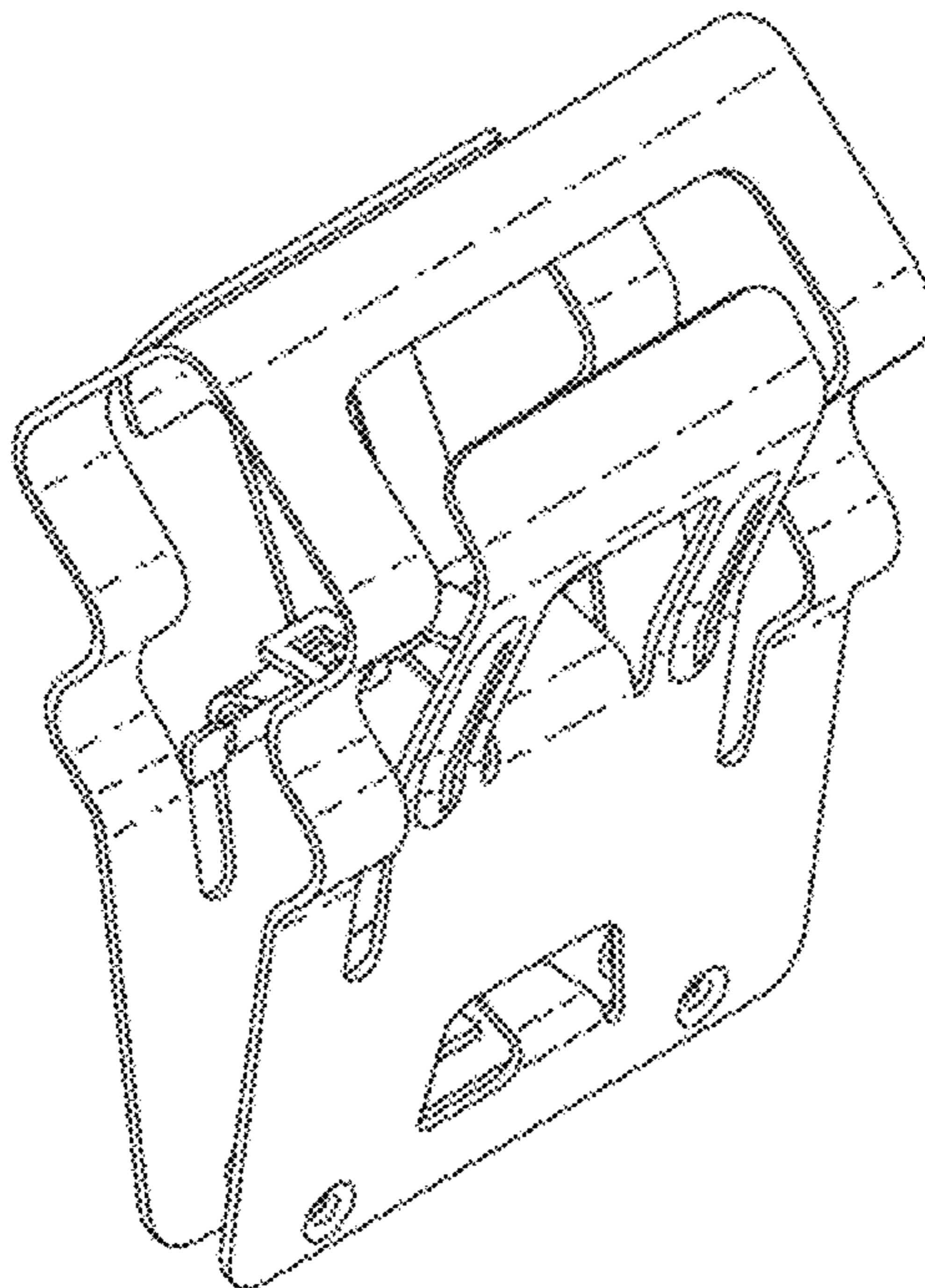
(57) **CLAIM**

I claim the ornamental design for a clip, as shown.

**DESCRIPTION**

FIG. 1 is a front elevation view of a clip.  
FIG. 2 is a back elevation view thereof.  
FIG. 3 is a side elevation view thereof, where the left and right side views are identical.  
FIG. 4 is top plan view thereof.  
FIG. 5 is bottom plan view thereof.  
FIG. 6 is an upper back perspective view thereof; and,  
FIG. 7 is a lower front perspective view thereof.

**1 Claim, 2 Drawing Sheets**



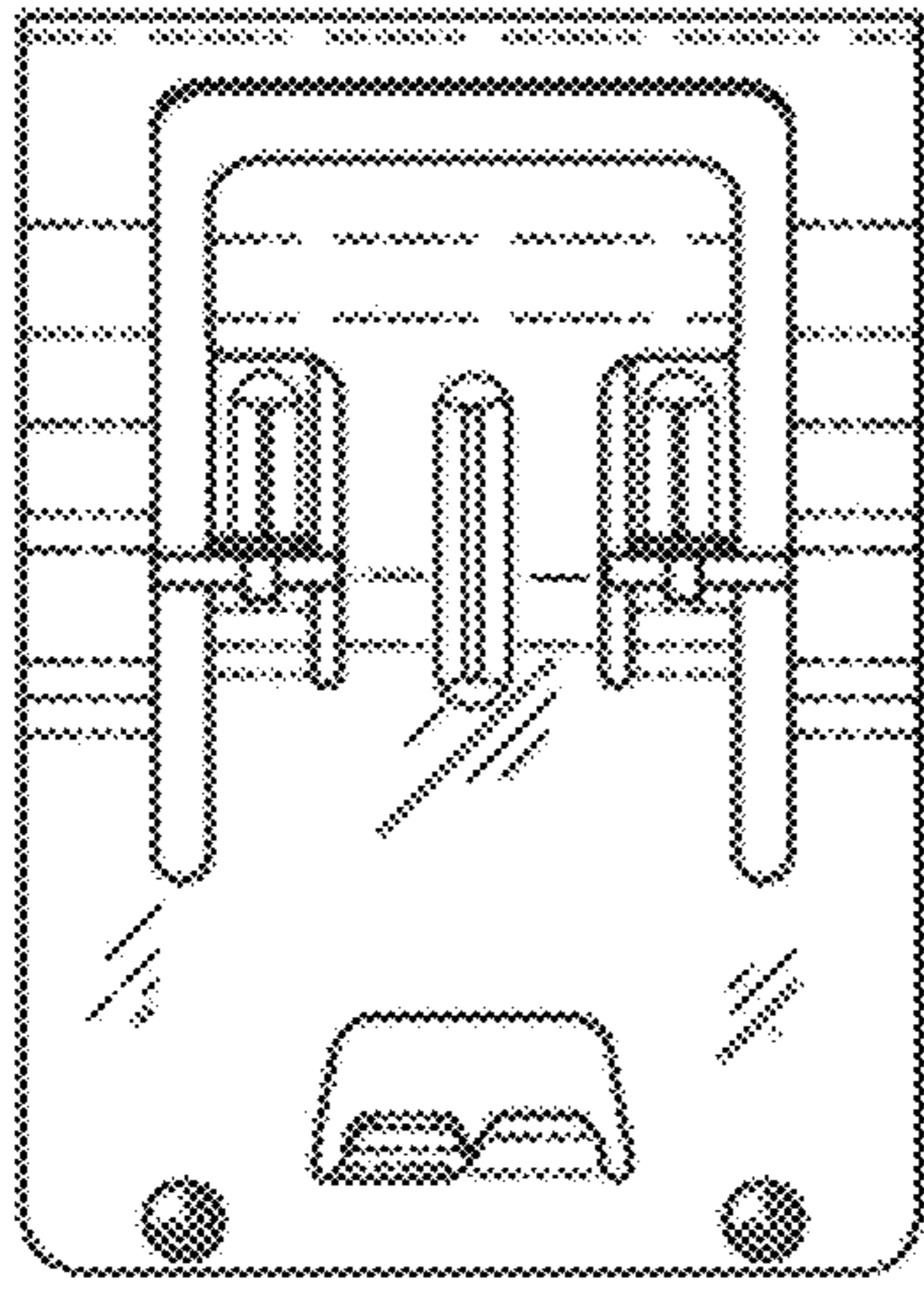


FIG. 1

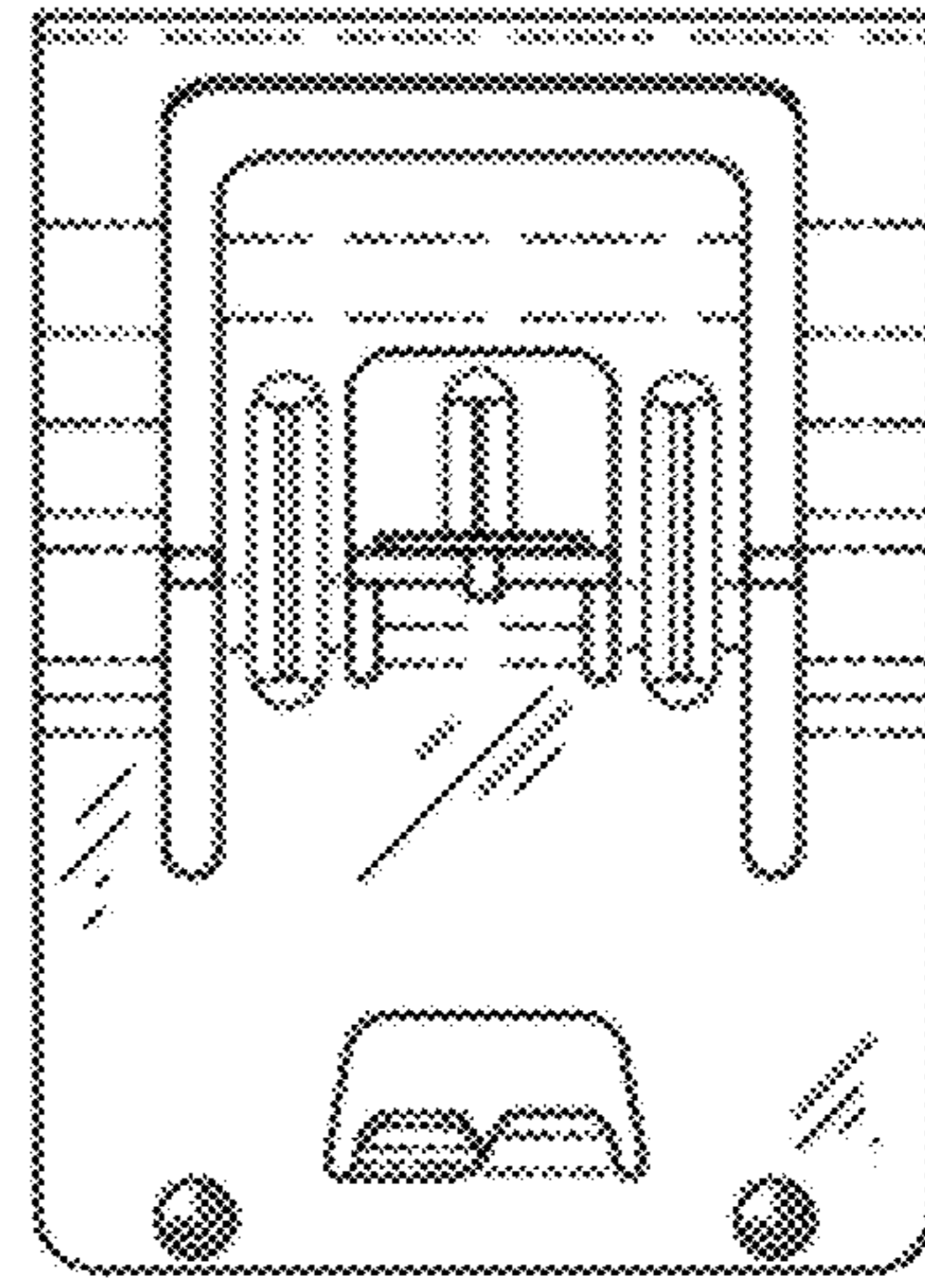


FIG. 2

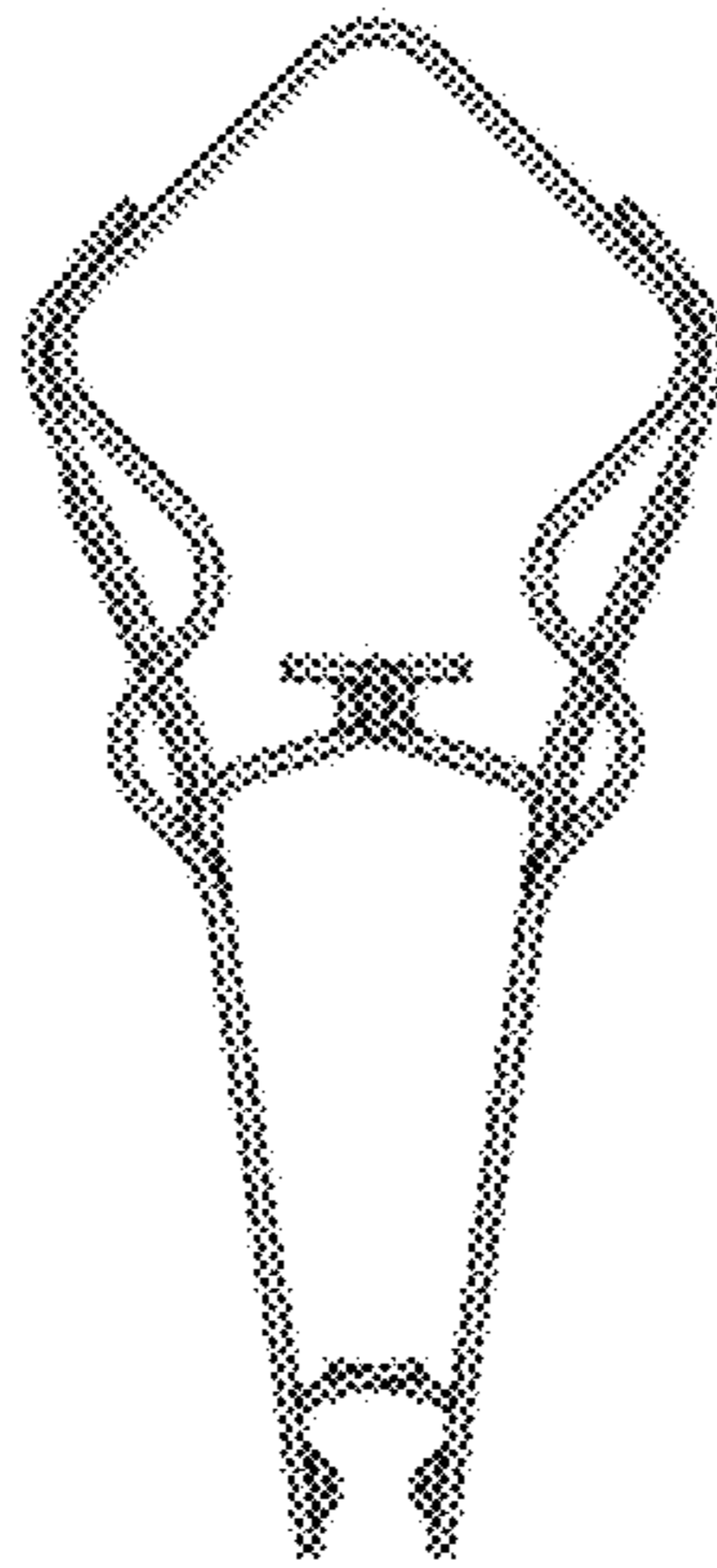


FIG. 3

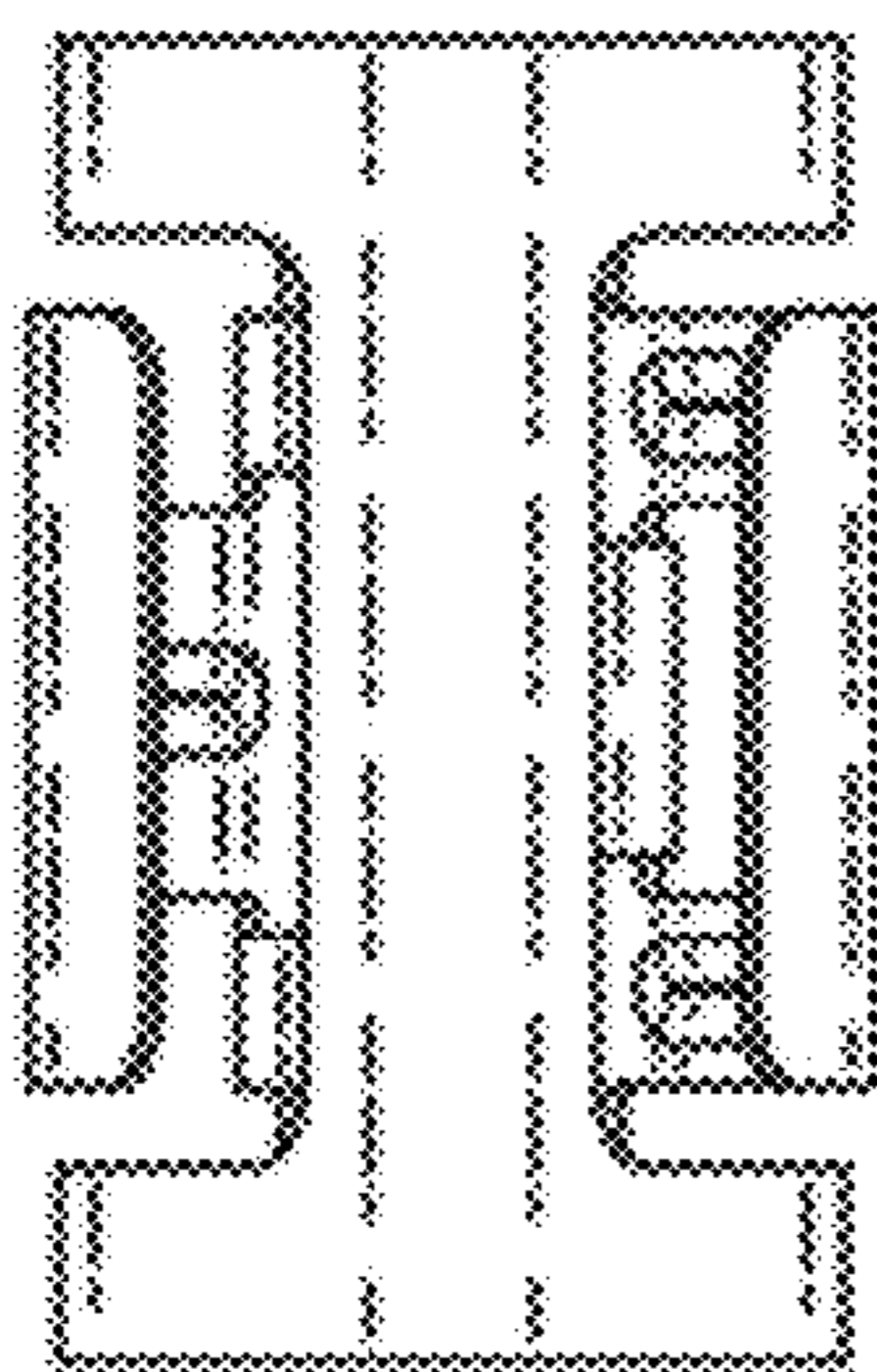


FIG. 4

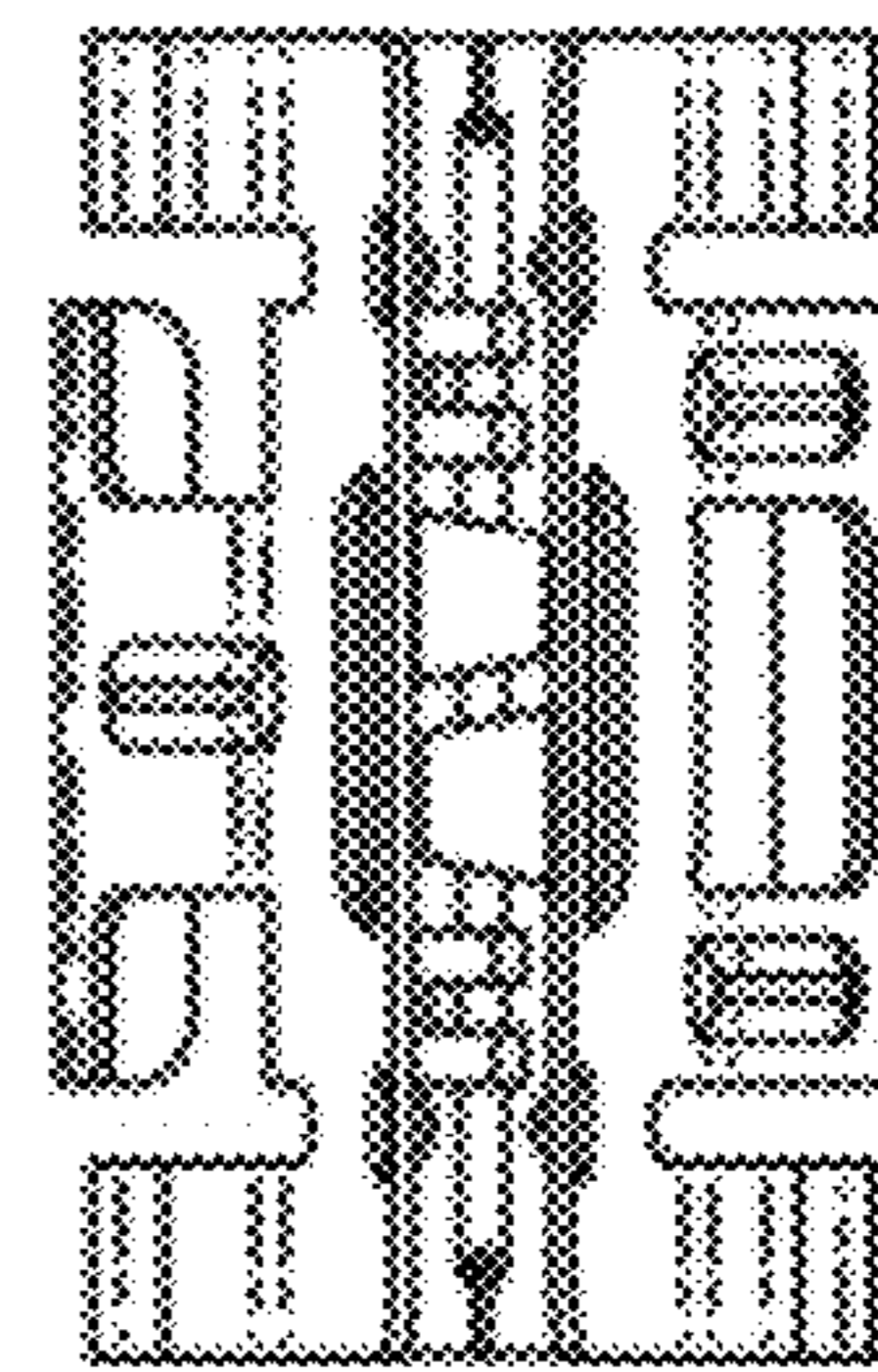


FIG. 5

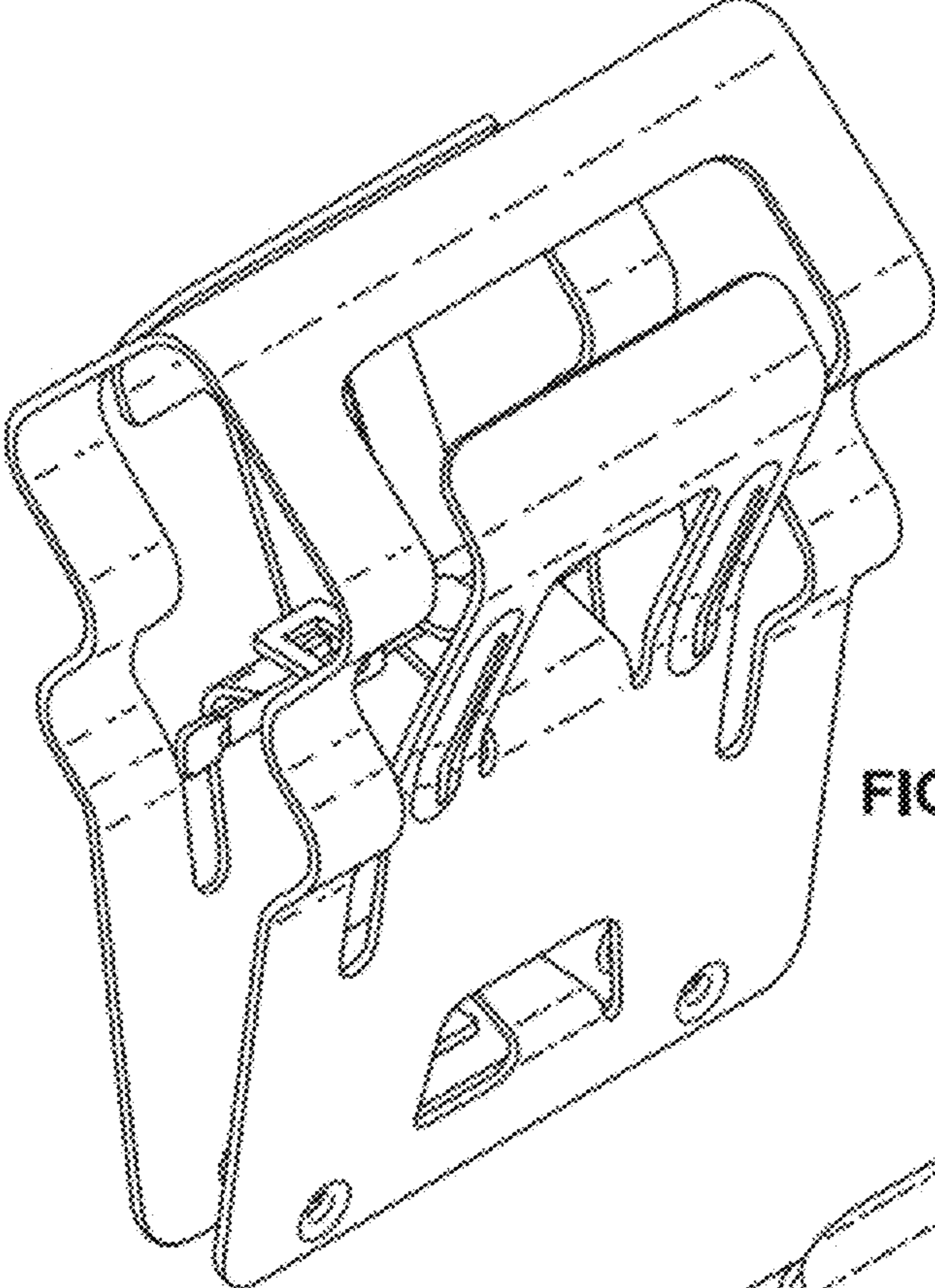


FIG. 6

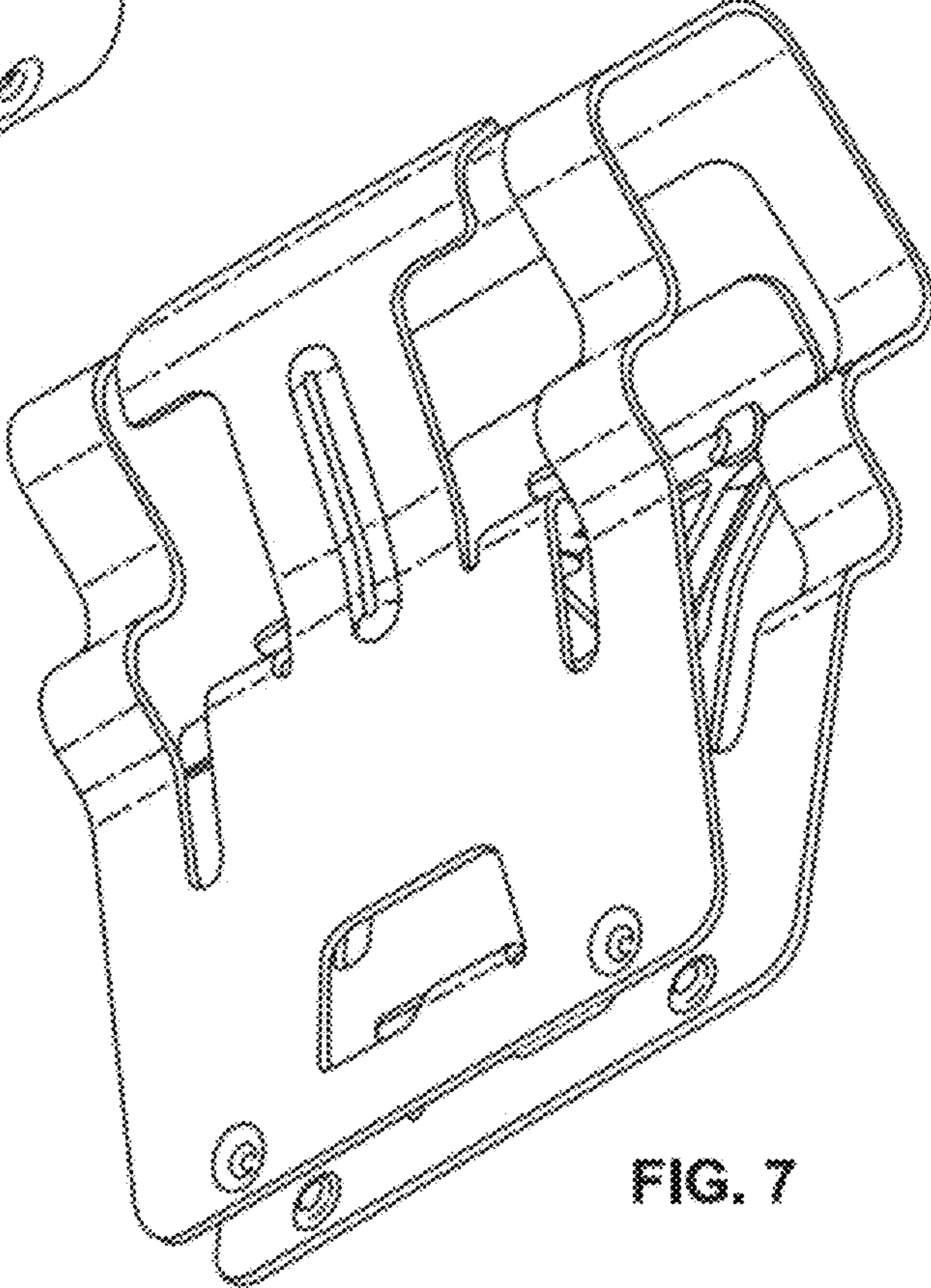


FIG. 7