



US00D674682S

(12) **United States Design Patent**
Shea

(10) **Patent No.:** **US D674,682 S**
(45) **Date of Patent:** **** Jan. 22, 2013**

(54) **FLUSH MOUNT BRACKET**

- (75) Inventor: **Thomas M. Shea**, Troy, MI (US)
- (73) Assignee: **T.M. Shea Products, Inc.**, Troy, MI (US)
- (**) Term: **14 Years**
- (21) Appl. No.: **29/383,153**
- (22) Filed: **Jan. 13, 2011**
- (51) **LOC (9) Cl.** **08-05**
- (52) **U.S. Cl.** **D8/373**
- (58) **Field of Classification Search** D8/349, D8/354, 363, 373, 381; 211/87.01; 200/294; 248/205.1, 214, 215, 220.1, 220.31, 235, 248/247, 300, 301, 309.1, 500
See application file for complete search history.

(56) **References Cited**

U.S. PATENT DOCUMENTS

2,676,778	A *	4/1954	Pace et al.	248/300
4,746,780	A *	5/1988	Resh	200/294
D314,326	S *	2/1991	Sachs	D8/373
5,810,303	A *	9/1998	Bourassa et al.	248/205.1
5,897,086	A *	4/1999	Condon	248/220.1
6,010,103	A *	1/2000	Ashworth	248/301
D422,483	S *	4/2000	Shea	D8/354
D422,886	S	4/2000	Shea		
D455,067	S	4/2002	Shea		
6,412,745	B1 *	7/2002	Yokoyama et al.	248/500
6,513,776	B1 *	2/2003	Bissett	248/309.1
6,536,613	B2 *	3/2003	Shea	211/87.01
D505,615	S	5/2005	Shea		
7,100,878	B2 *	9/2006	Shea	248/220.31

OTHER PUBLICATIONS

Product Brochure, T. M. Shea Products, "Ideas for Space Ideas for Sales: 3D In-Store Marketing and Merchandising Solutions", Troy, Michigan, 2009, front and back covers, pp. 14, 18, 20.

* cited by examiner

Primary Examiner — Robert M Spear

Assistant Examiner — Rashida C McCoy

(74) *Attorney, Agent, or Firm* — Harness, Dickey & Pierce, P.L.C.

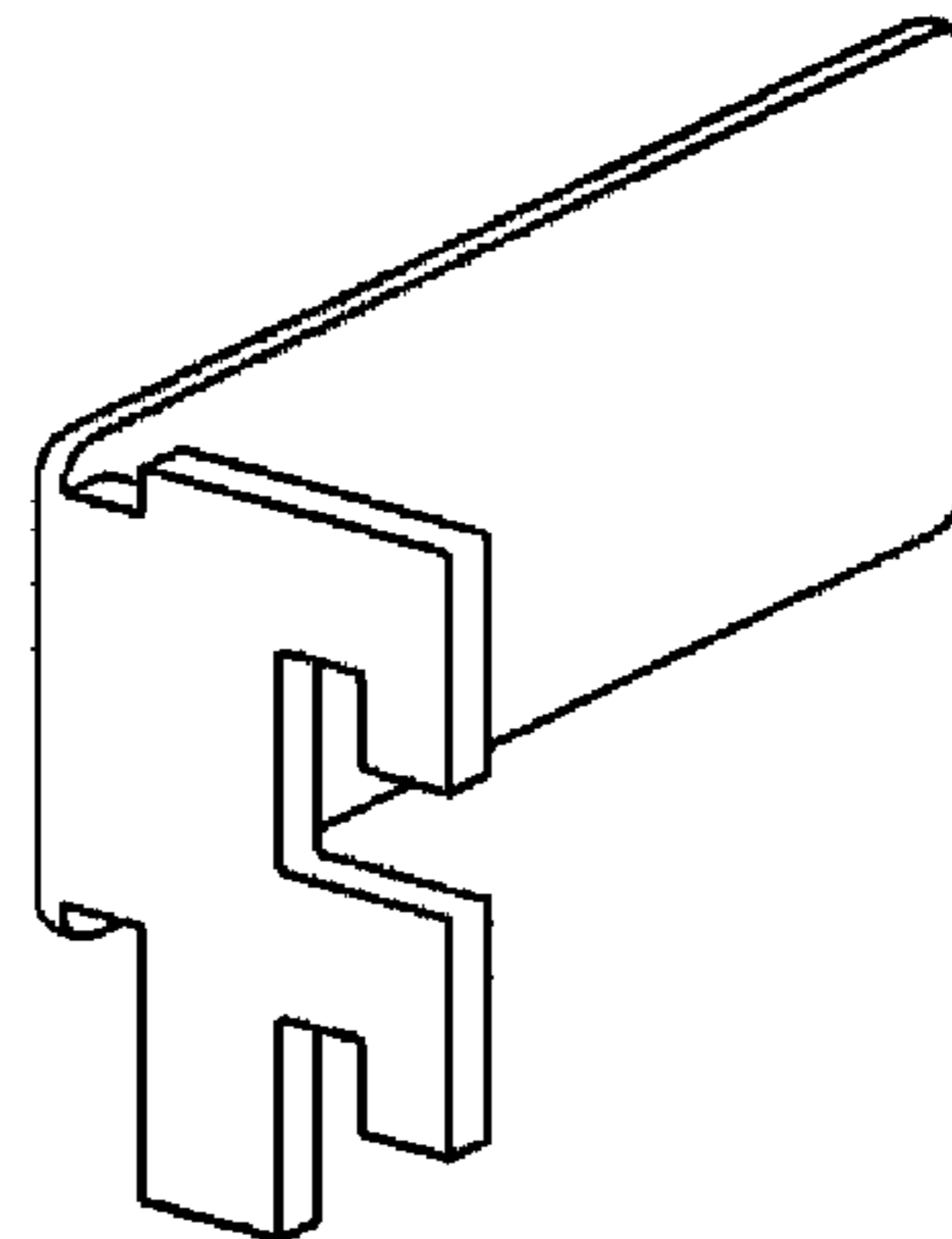
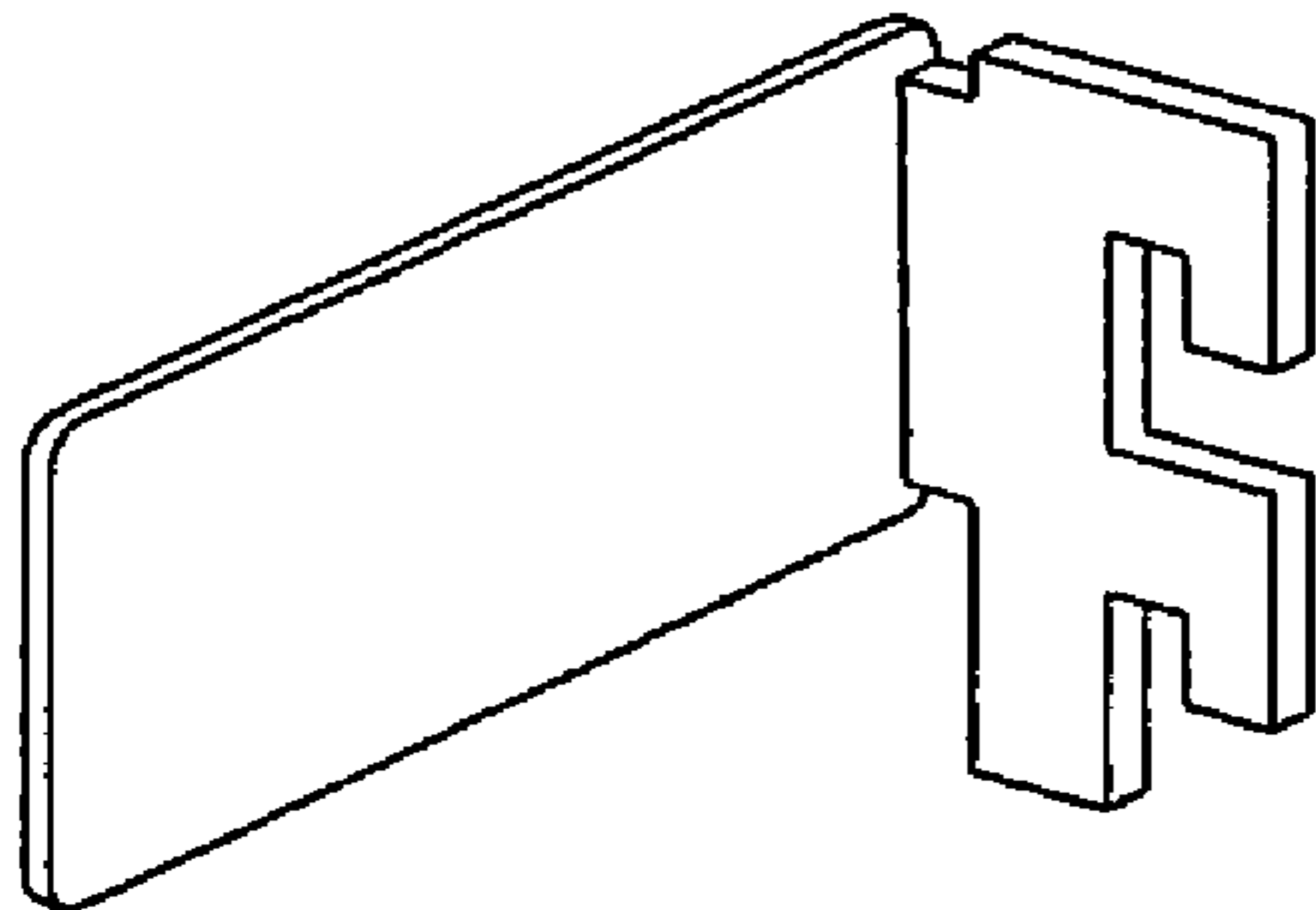
(57) **CLAIM**

The ornamental design for a flush mount bracket, as shown and described.

DESCRIPTION

FIG. 1 is a perspective view of a first flush mount bracket showing my design;
 FIG. 2 is a right end view thereof;
 FIG. 3 is a left end view thereof;
 FIG. 4 is a rear view thereof;
 FIG. 5 is a front view thereof;
 FIG. 6 is a top view thereof;
 FIG. 7 is a bottom view thereof;
 FIG. 8 is a perspective view of a second flush mount bracket showing my design;
 FIG. 9 is a right end view thereof;
 FIG. 10 is a left end view thereof;
 FIG. 11 is a rear view thereof;
 FIG. 12 is a front view thereof;
 FIG. 13 is a top view thereof; and,
 FIG. 14 is a bottom view thereof.

1 Claim, 2 Drawing Sheets



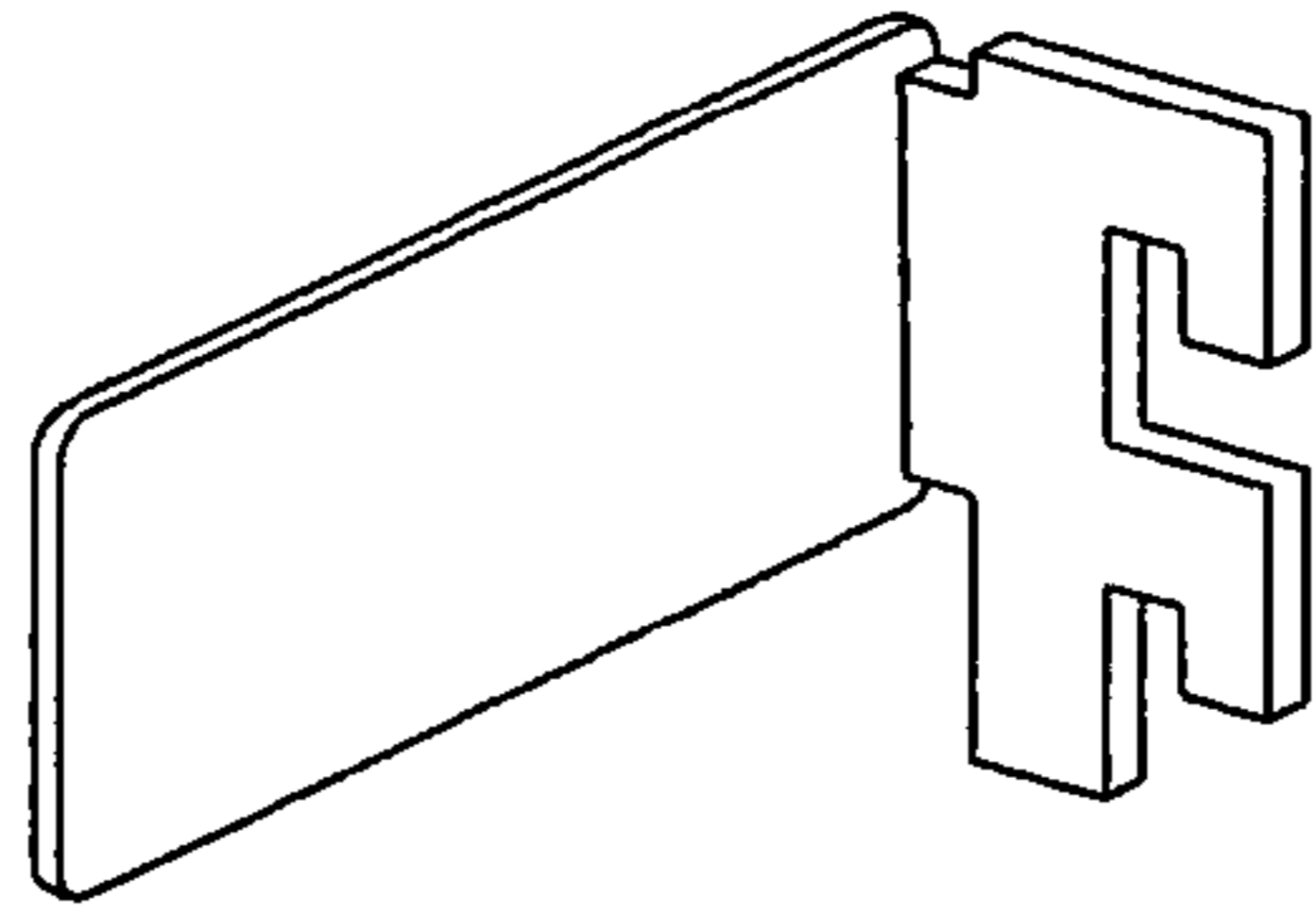


Fig-1

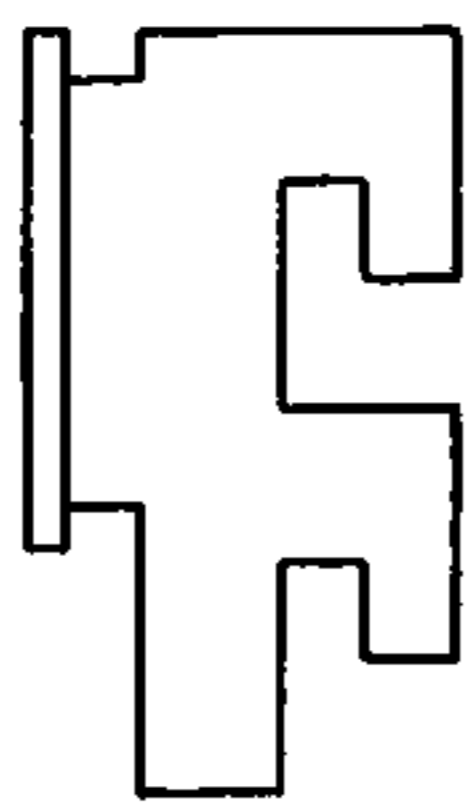


Fig-2

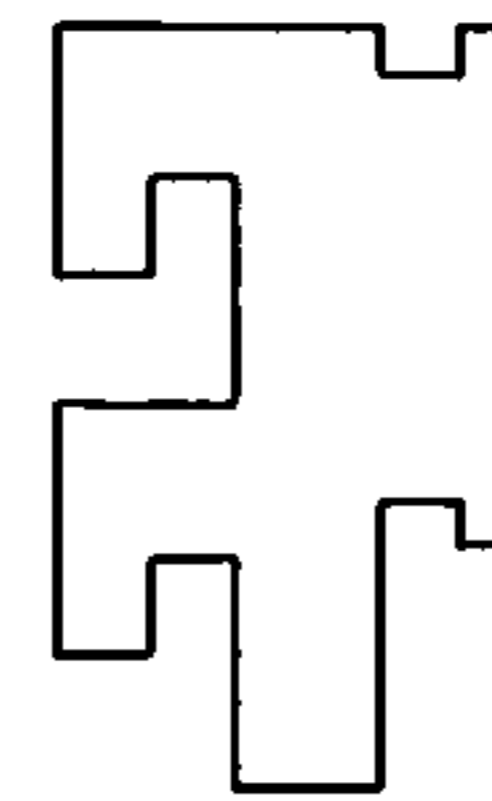


Fig-3

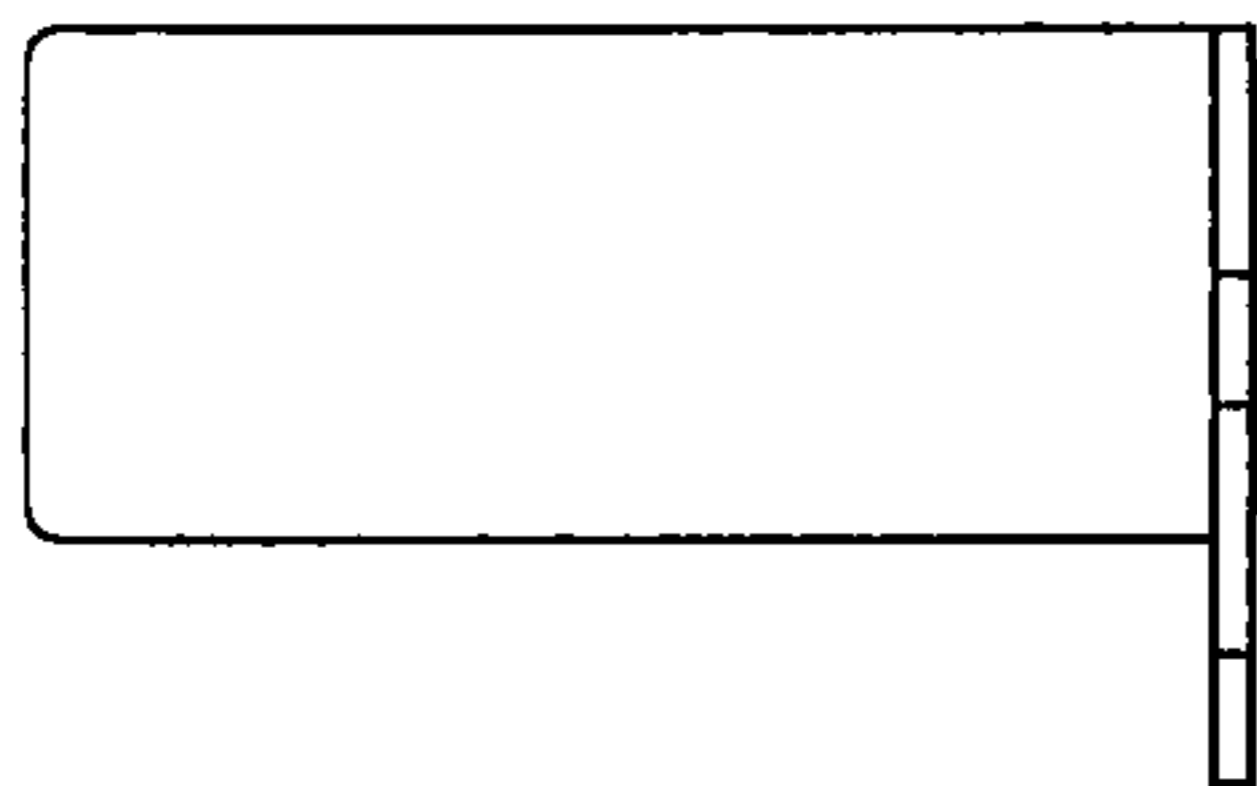


Fig-4

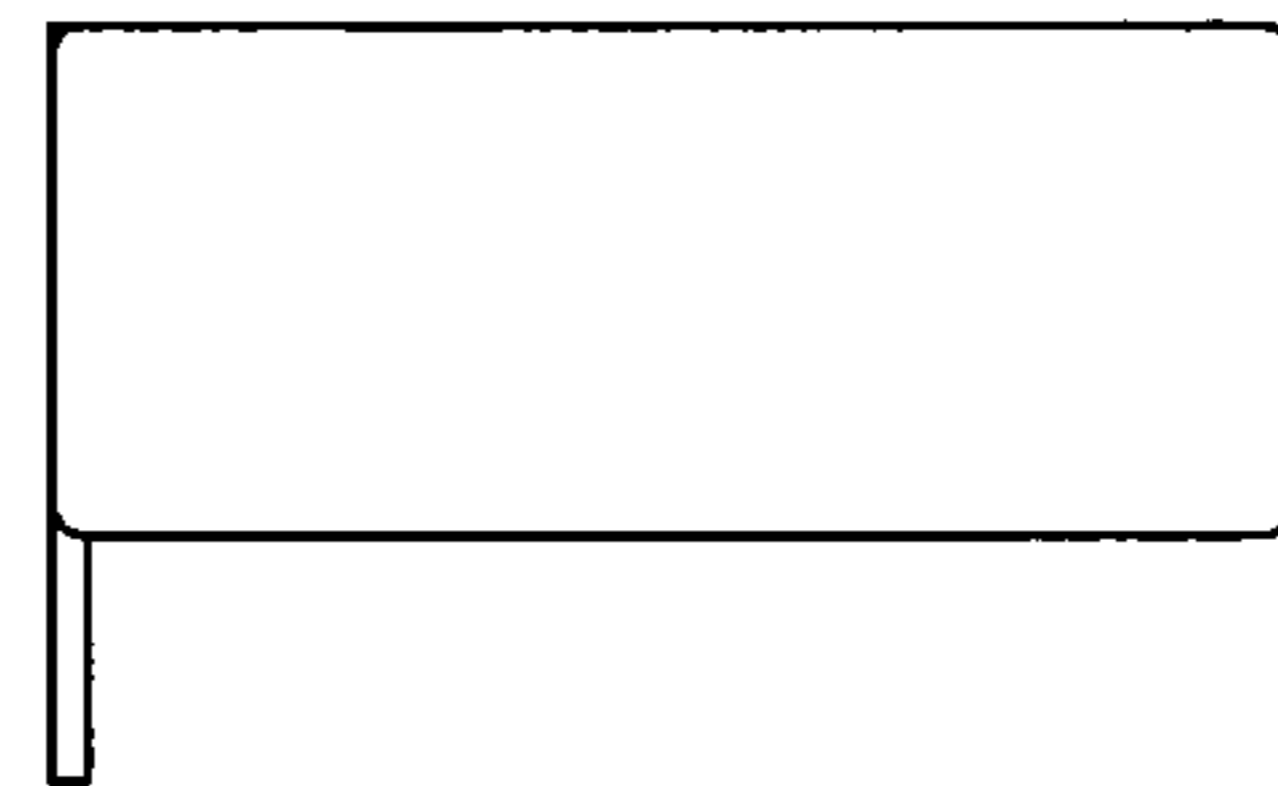


Fig-5

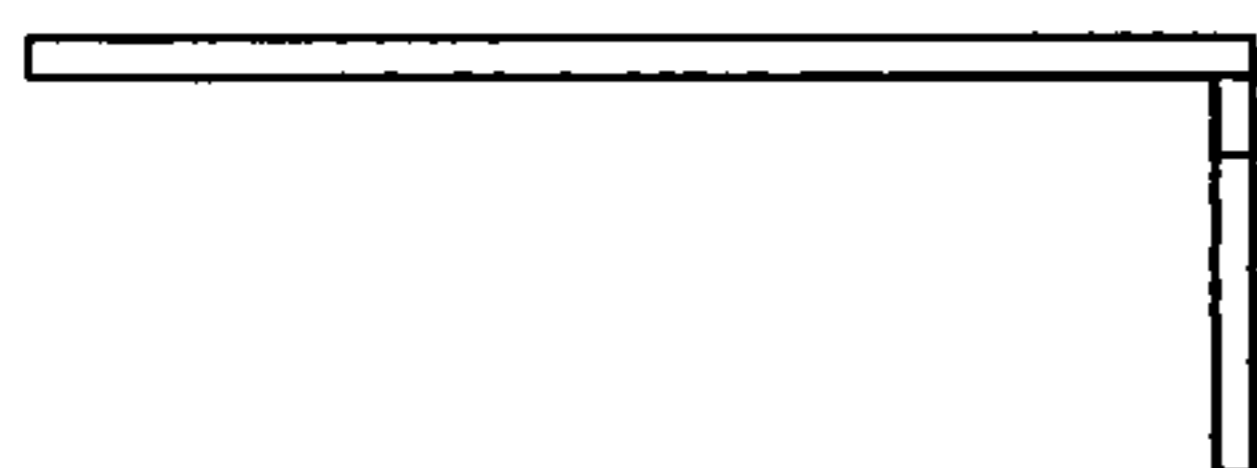


Fig-6



Fig-7

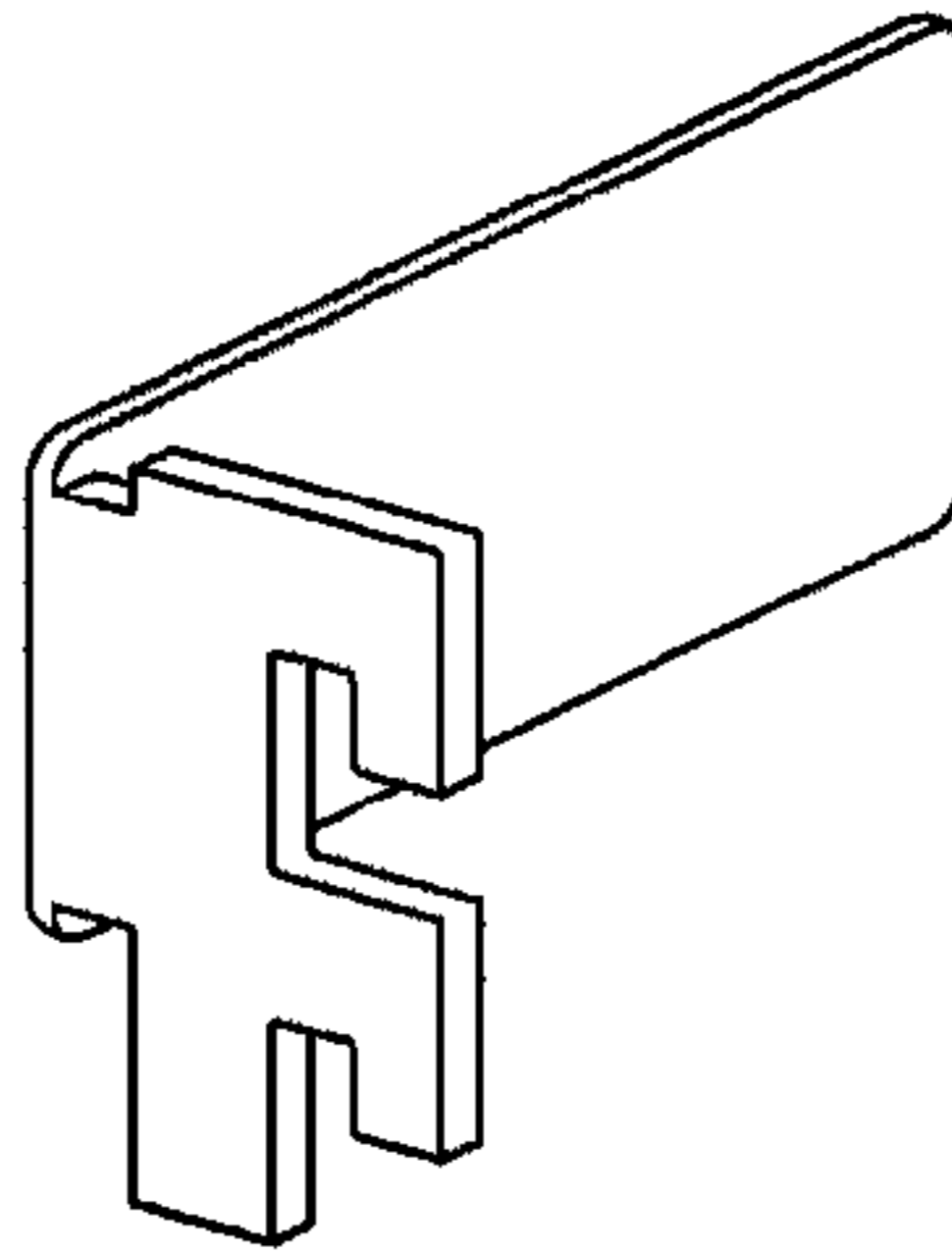


Fig-8

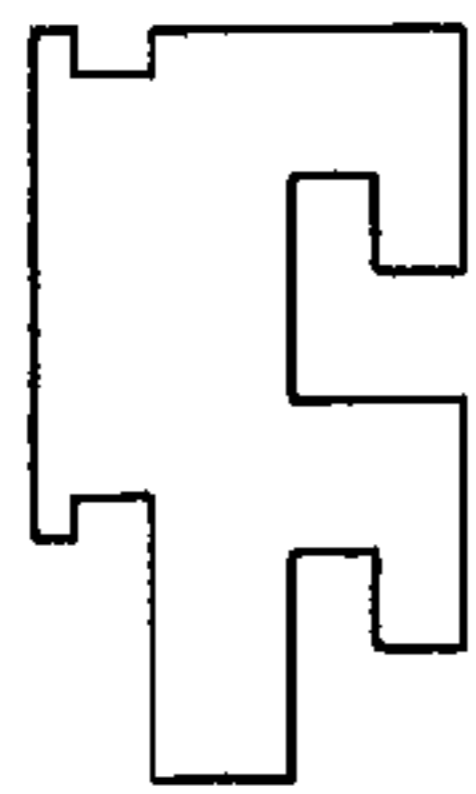


Fig-9

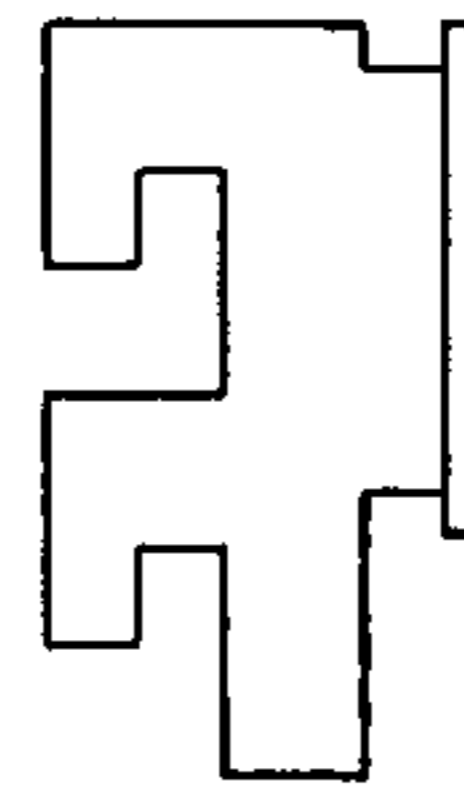


Fig-10

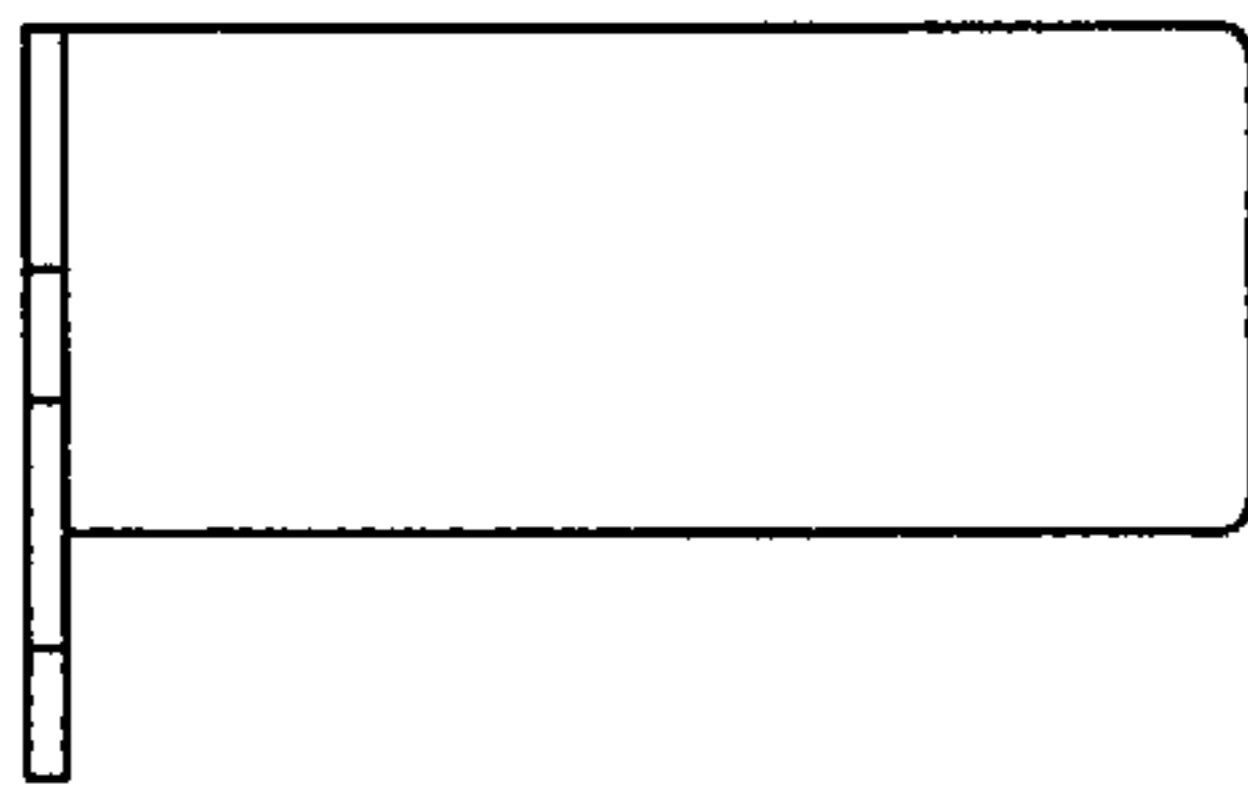


Fig-11

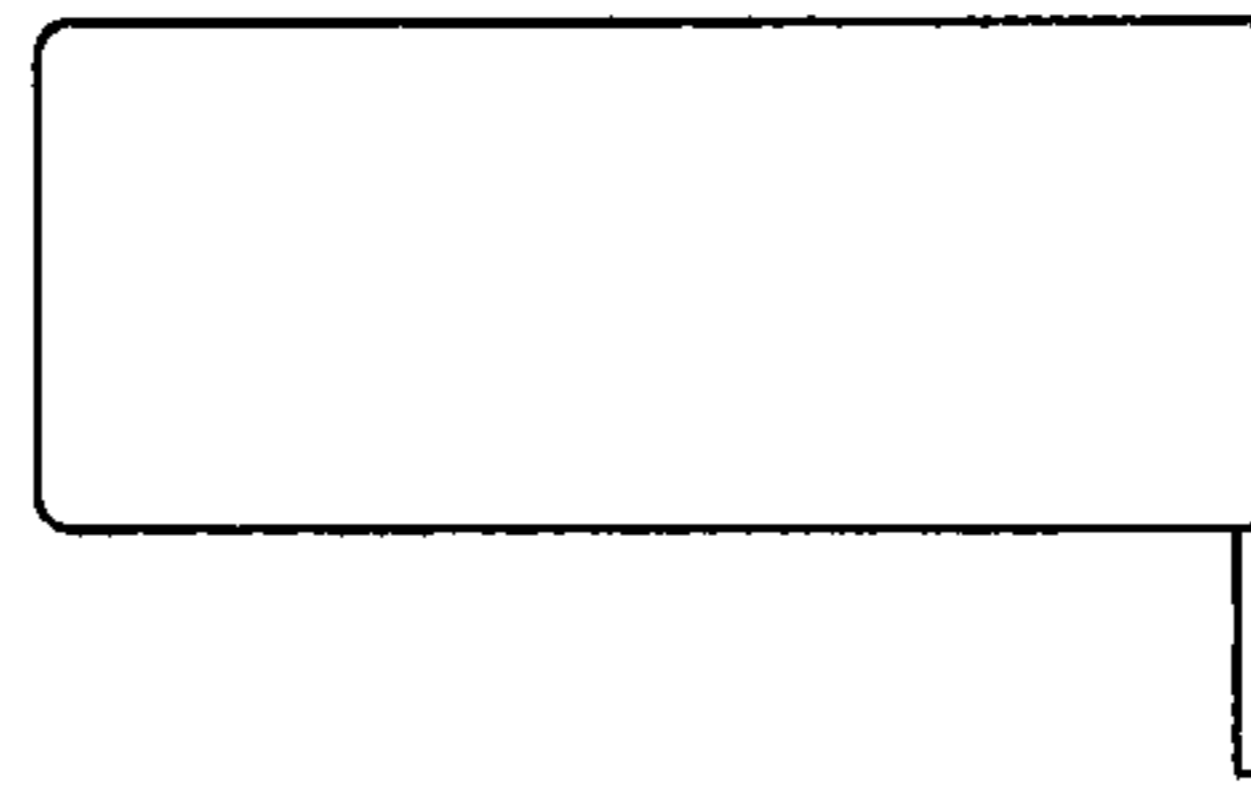


Fig-12

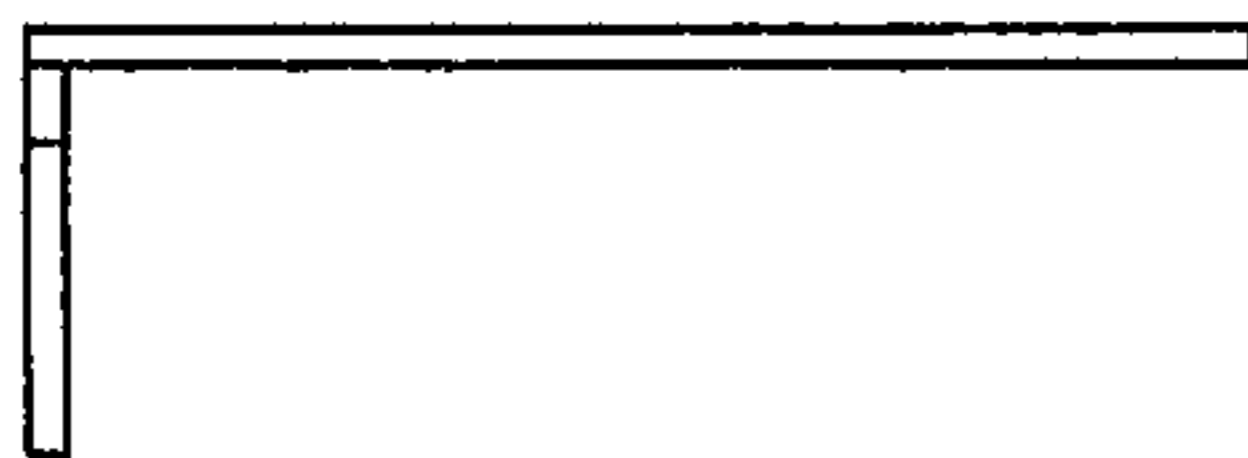


Fig-13

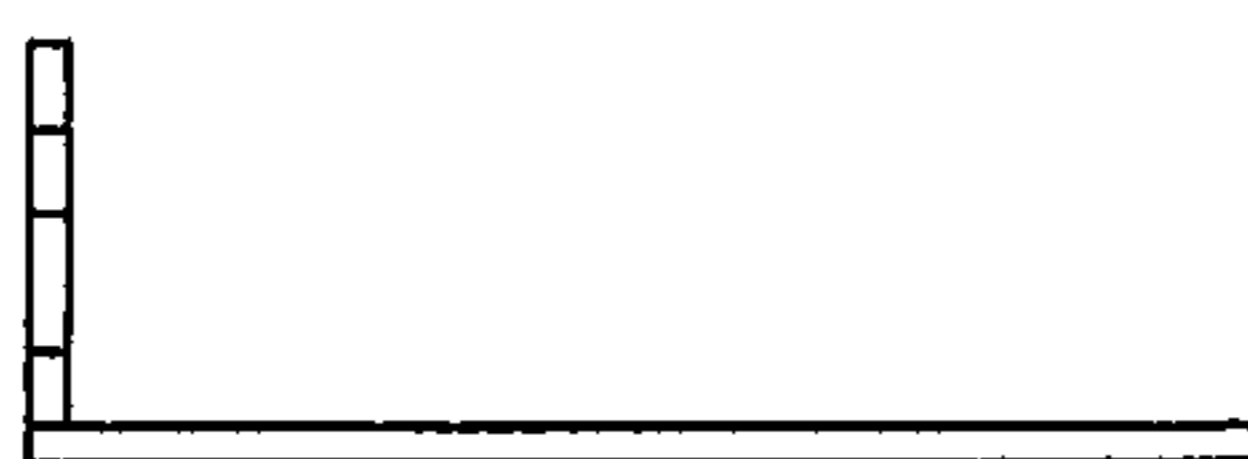


Fig-14