



US00D674681S

(12) **United States Design Patent**
Gorman

(10) **Patent No.:** **US D674,681 S**

(45) **Date of Patent:** **** Jan. 22, 2013**

(54) **STEPLADDER STORAGE HOOK**

(76) **Inventor:** **Donald Eugene Gorman**, Nampa, ID
(US)

(**) **Term:** **14 Years**

(21) **Appl. No.:** **29/429,365**

(22) **Filed:** **Aug. 9, 2012**

(51) **LOC (9) Cl.** **08-05**

(52) **U.S. Cl.** **D8/367**

(58) **Field of Classification Search** D8/367,
D8/353, 354, 349, 356, 352, 351, 381; D6/323;
248/301, 304, 214, 215; 482/44
See application file for complete search history.

(56) **References Cited**

U.S. PATENT DOCUMENTS

D272,023	S	1/1984	Mayer	
4,836,493	A	6/1989	Marton	
D310,164	S	8/1990	Keel	
5,123,690	A *	6/1992	Bailey	294/74
D331,410	S *	12/1992	Binversie et al.	D15/4
D333,804	S *	3/1993	Franklin	D11/218
D357,405	S	4/1995	Philippi	
D357,435	S *	4/1995	Cook	D11/218
D360,571	S	7/1995	Perry	
D408,086	S *	4/1999	DuRapau	D25/68
D422,892	S	4/2000	Donovan	
D437,772	S *	2/2001	Erwin	D8/354
D443,566	S *	6/2001	Peterson	D12/162
D458,870	S *	6/2002	Anscher	D11/218

D536,239	S	2/2007	Tallman	
D545,181	S	6/2007	Kagan	
D576,472	S	9/2008	Gaiardo	
D625,654	S *	10/2010	Spater	D11/210
D649,907	S *	12/2011	Kataguchi	D11/218
D659,513	S	5/2012	Lin	
D661,573	S *	6/2012	Paik et al.	D8/367
2008/0308694	A1	12/2008	Gorman	
2011/0073729	A1	3/2011	DeSautel	

* cited by examiner

Primary Examiner — Cynthia Underwood

(74) *Attorney, Agent, or Firm* — QuickPatents, Inc.; Kevin Prince

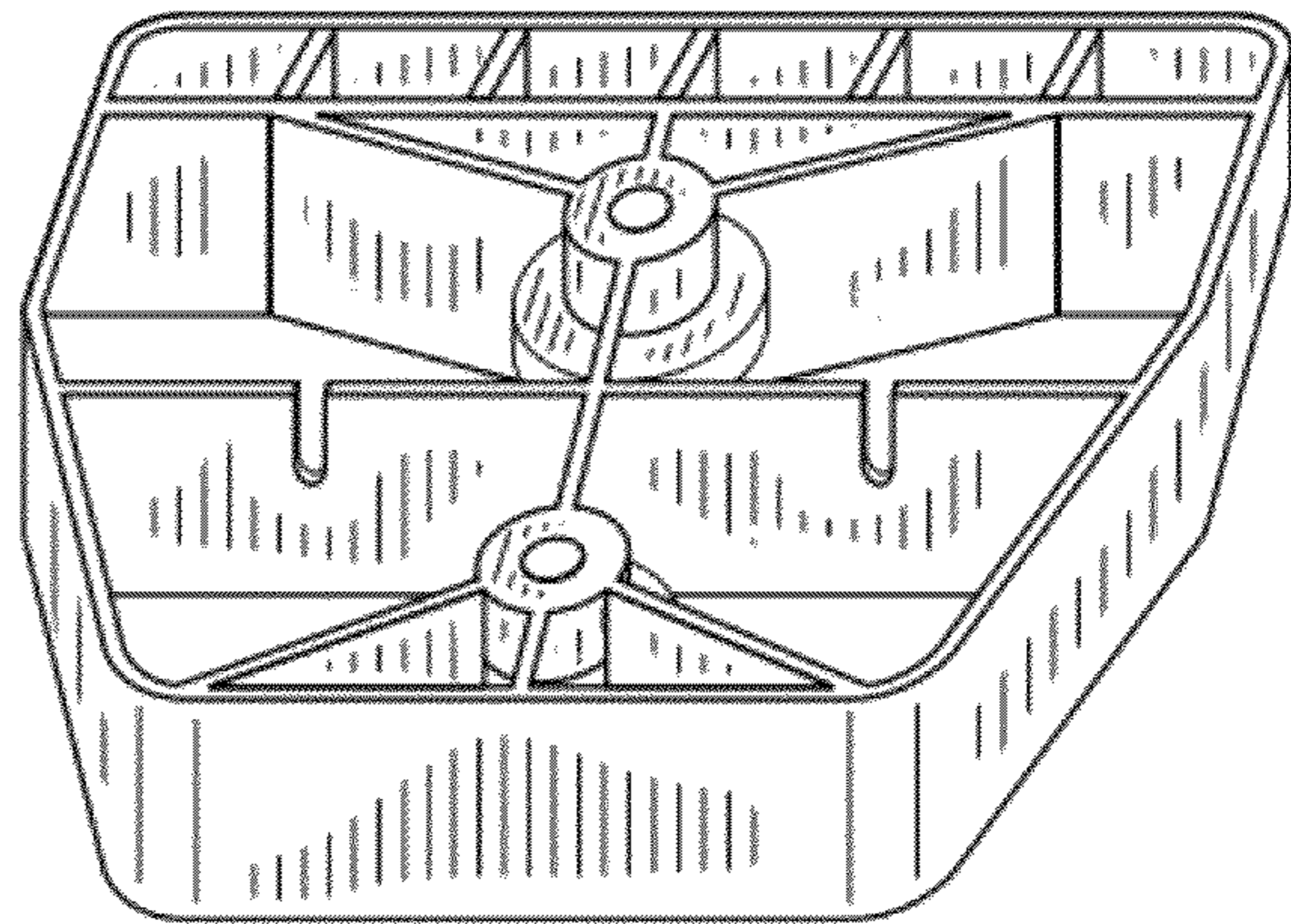
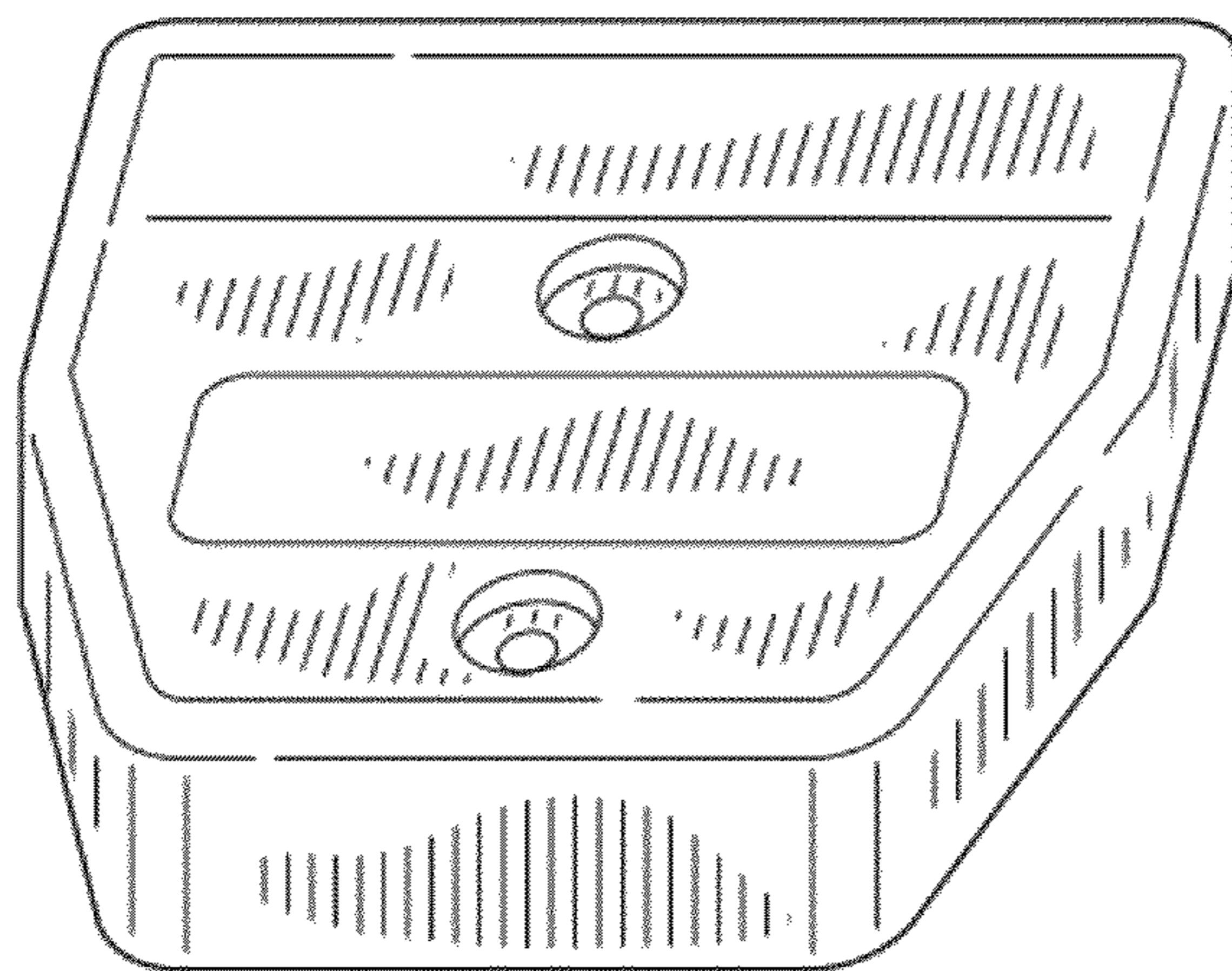
(57) **CLAIM**

I claim the ornamental design for a stepladder storage hook, as shown and described.

DESCRIPTION

FIG. 1 is a front elevational view of a stepladder storage hook, showing my new design;
 FIG. 2 is an enlarged front perspective view thereof;
 FIG. 3 is a front elevational view of FIG. 2;
 FIG. 4 is a rear elevational view of FIG. 2;
 FIG. 5 is a left-side elevational view of FIG. 2, the right-side elevational view being a mirror image thereof;
 FIG. 6 is a top plan view of FIG. 2;
 FIG. 7 is a bottom plan view of FIG. 2; and,
 FIG. 8 is a rear perspective view of FIG. 2.
 The broken lines showing a ladder and a wall in FIG. 1 depict environmental matter and form no part of the claimed design.

1 Claim, 4 Drawing Sheets



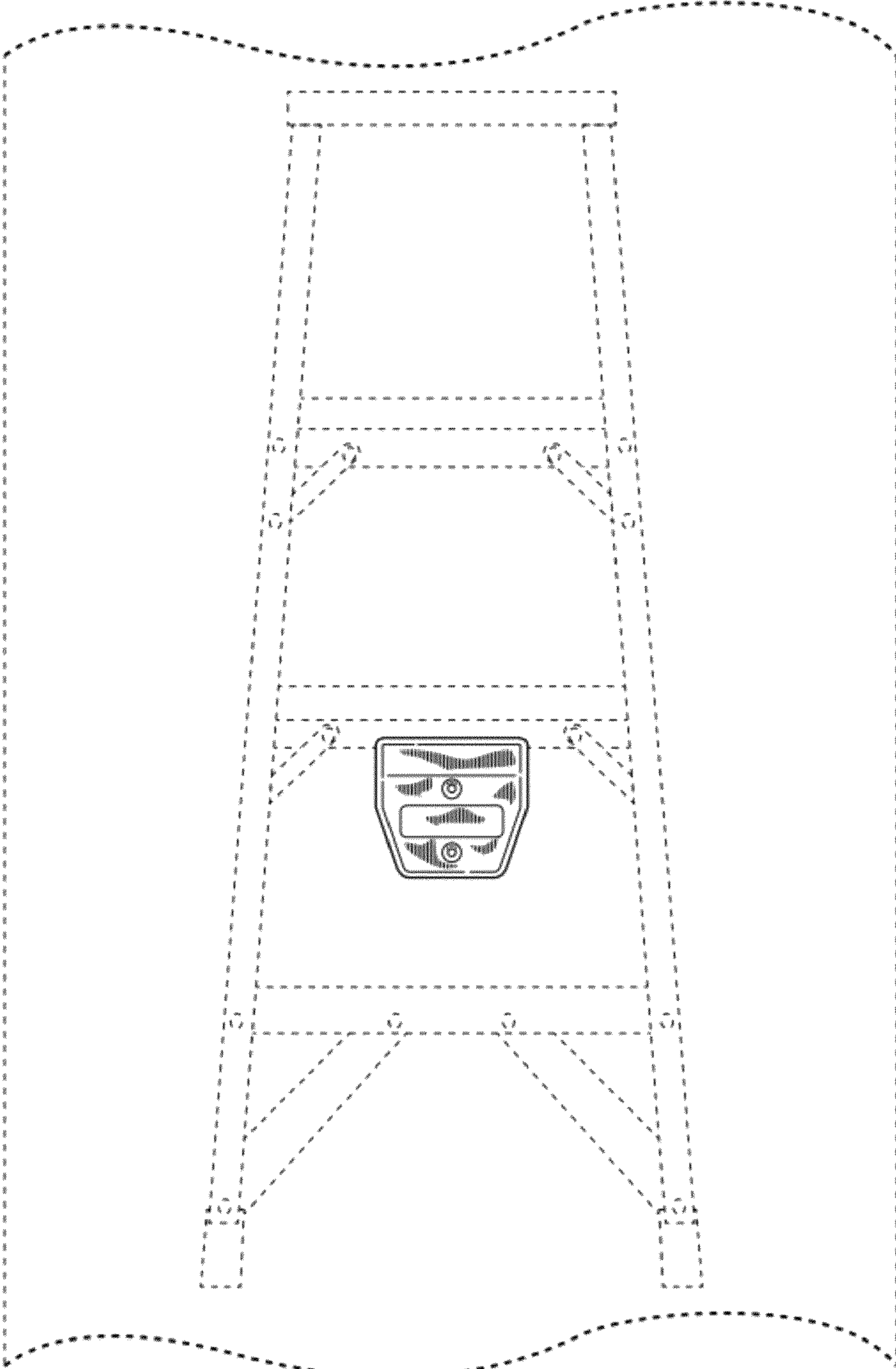


FIG. 1

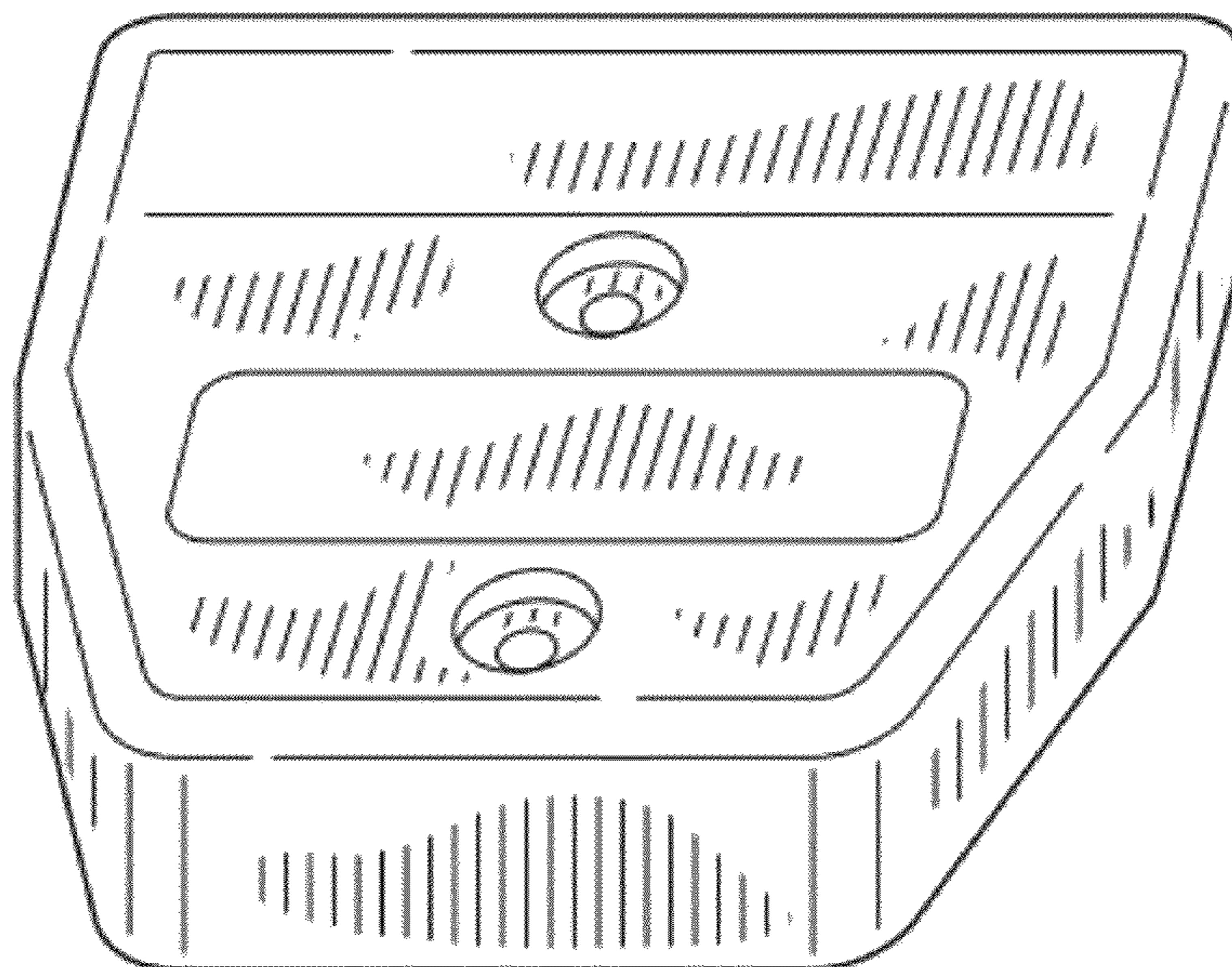


FIG. 2

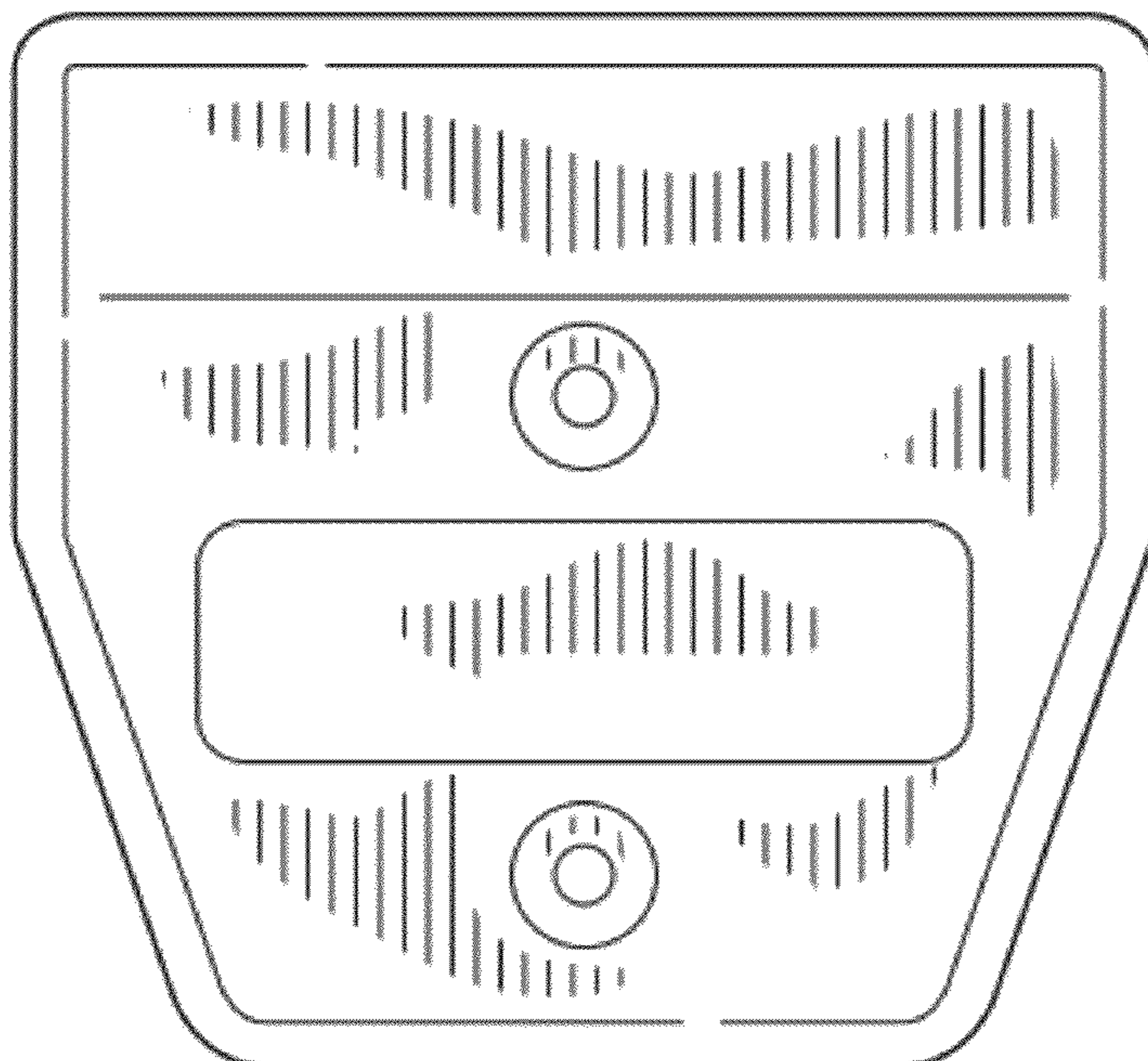


FIG. 3

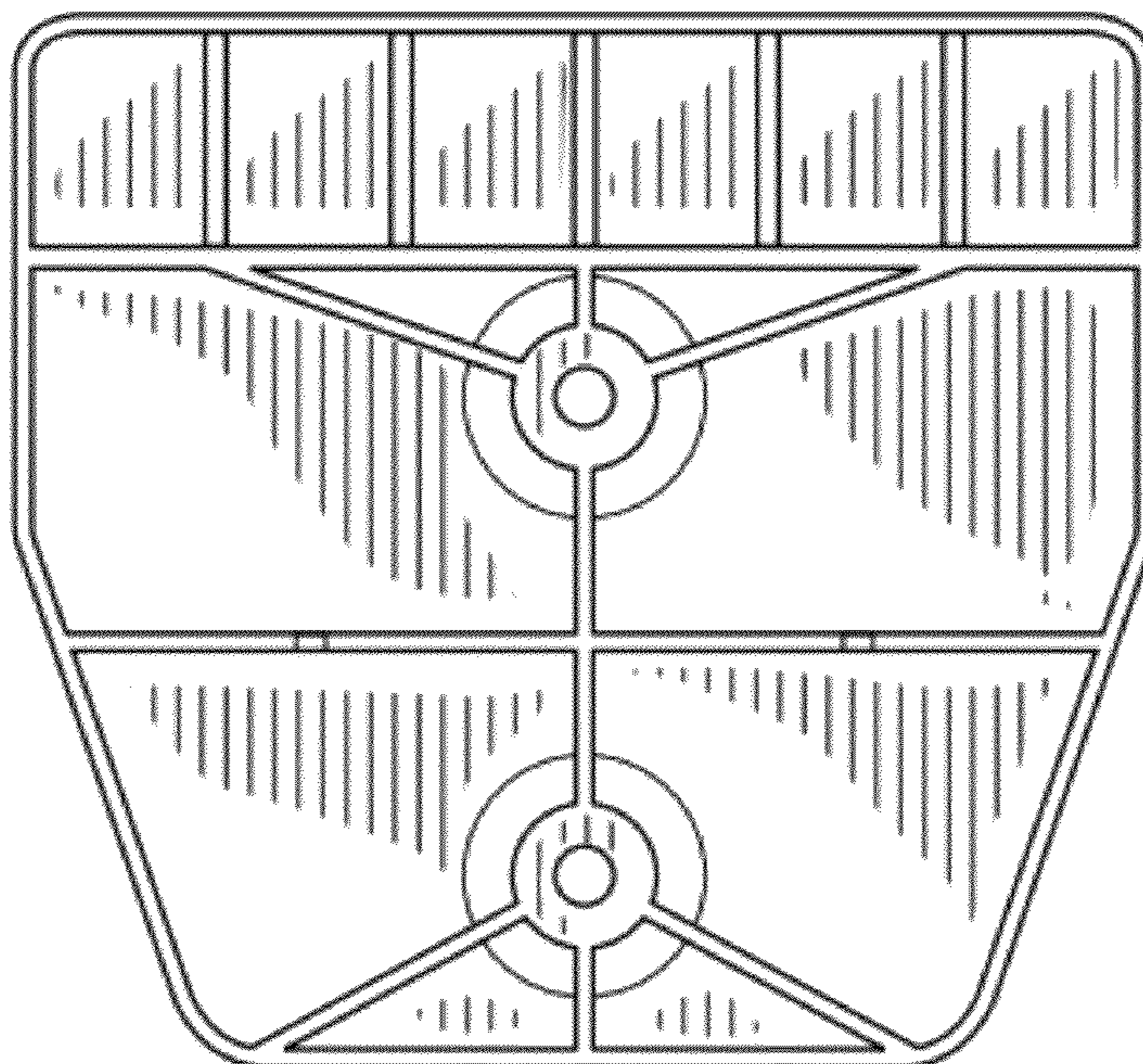


FIG. 4

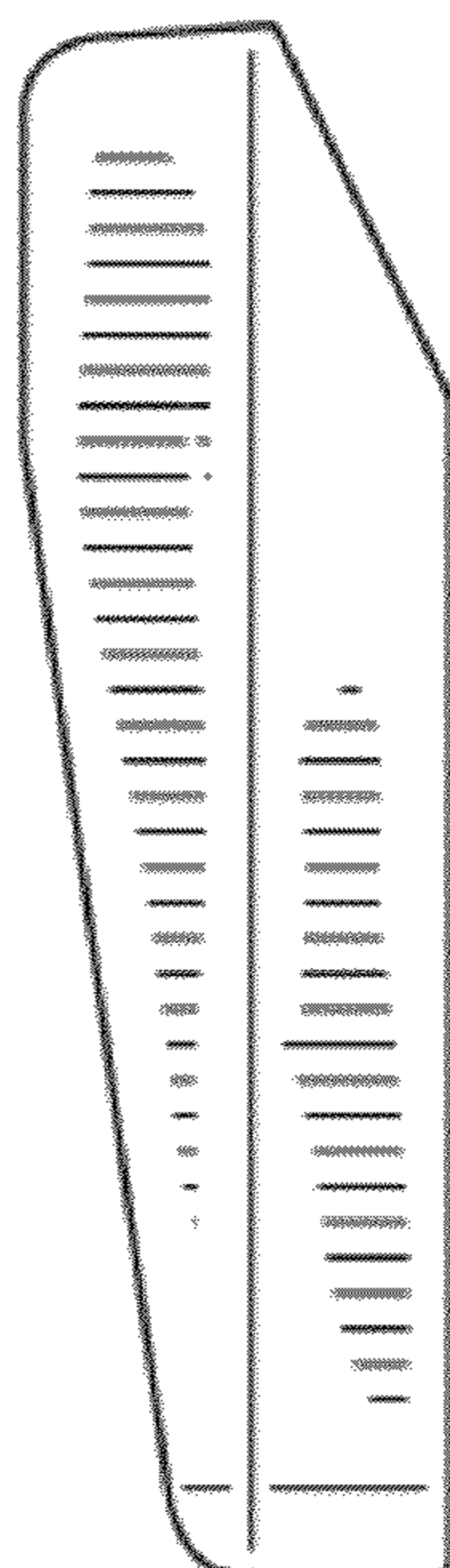


FIG. 5

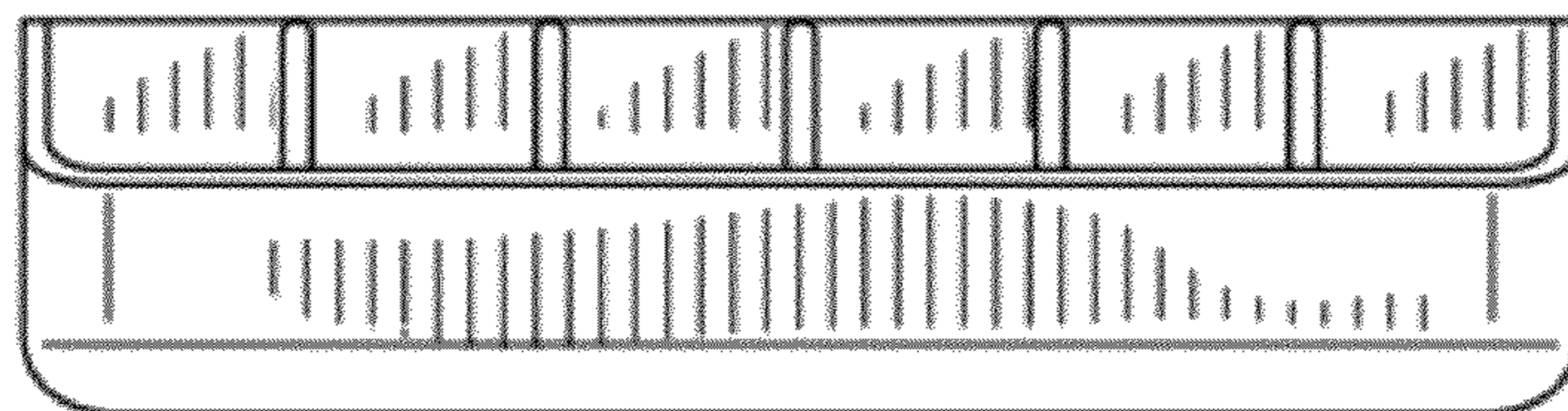


FIG. 6

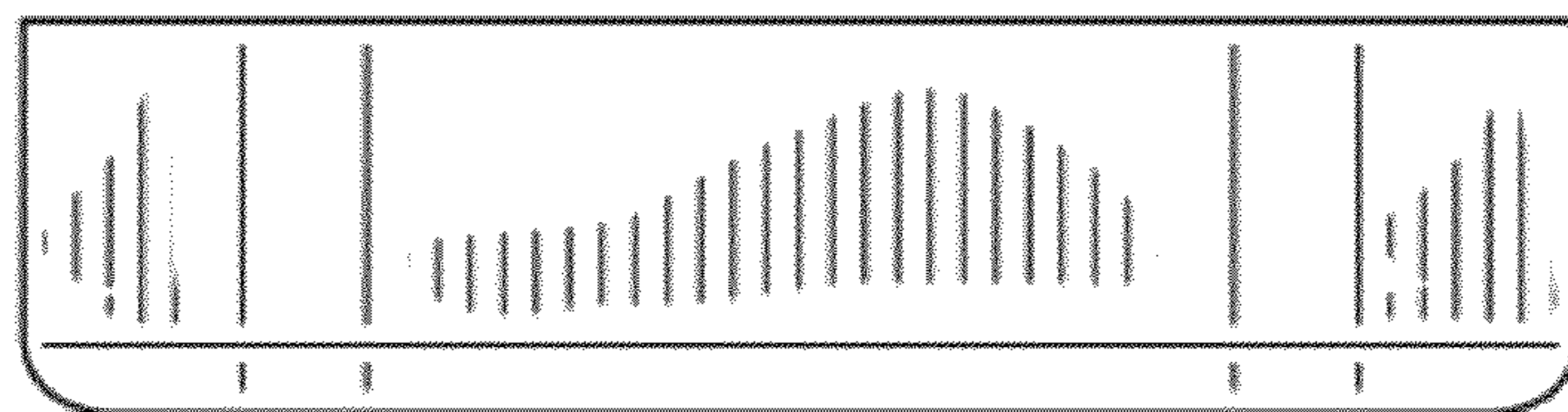


FIG. 7

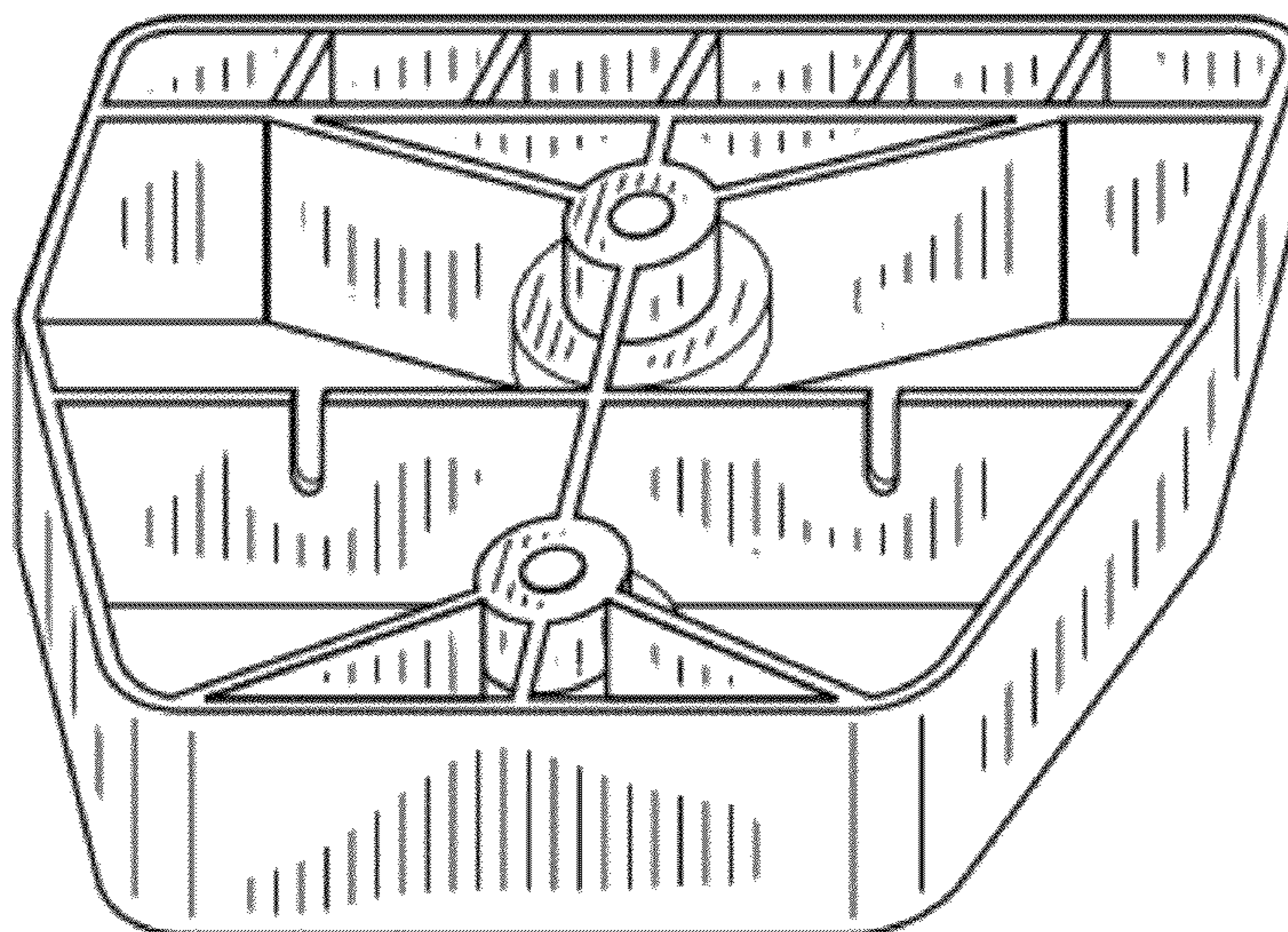


FIG. 8