

US00D674677S

(12) **United States Design Patent**
Tirone et al.

(10) **Patent No.:** **US D674,677 S**
(45) **Date of Patent:** **** Jan. 22, 2013**

(54) **DRILL**

(75) Inventors: **James C. Tirone**, Baltimore, MD (US);
Wujia He, Suzhou (CN)

(73) Assignee: **Black & Decker Inc.**, Newark, DE (US)

(**) Term: **14 Years**

(21) Appl. No.: **29/396,271**

(22) Filed: **Jun. 28, 2011**

(51) **LOC (9) Cl.** **08-01**

(52) **U.S. Cl.** **D8/68**

(58) **Field of Classification Search** D8/61,
D8/68, 69; 173/13, 104, 114, 178, 213, 217;
81/54, 57.11, 464, 429, 456, 469, 489; 451/358;
408/20

See application file for complete search history.

(56) **References Cited**

U.S. PATENT DOCUMENTS

D304,287 S *	10/1989	Zurwelle	D8/68
D344,000 S *	2/1994	Shibata et al.	D8/68
D353,526 S *	12/1994	Hoshino	D8/68
D406,740 S *	3/1999	Zurwelle	D8/68
D466,386 S *	12/2002	Zurwelle	D8/68
D470,737 S *	2/2003	Chunn et al.	D8/68
D507,952 S *	8/2005	Wu	D8/68
D513,951 S *	1/2006	Chung et al.	D8/68
D566,506 S *	4/2008	Aglassinger	D8/68
D577,973 S *	10/2008	Wright	D8/68
7,469,753 B2 *	12/2008	Klemm et al.	173/178

D587,545 S *	3/2009	Hayakawa et al.	D8/68
D590,683 S *	4/2009	Wright	D8/68
D592,477 S *	5/2009	Wright	D8/68
D593,830 S *	6/2009	Van Wambeke	D8/68
D595,553 S *	7/2009	Van Wambeke	D8/68
D605,015 S *	12/2009	Aglassinger	D8/68
D605,484 S *	12/2009	Aglassinger	D8/68
D605,485 S *	12/2009	Aglassinger	D8/68
D608,174 S *	1/2010	Wright	D8/68
D609,543 S *	2/2010	Misaki et al.	D8/68
D610,424 S *	2/2010	Wright	D8/68
D645,316 S *	9/2011	Murray	D8/68
D656,804 S *	4/2012	Murray	D8/68

* cited by examiner

Primary Examiner — Philip S Hyder

Assistant Examiner — John T Applewhite

(74) *Attorney, Agent, or Firm* — Stephen R. Valancius

(57) **CLAIM**

The ornamental design for a drill, as shown and described.

DESCRIPTION

FIG. 1 is a perspective view of a drill according to the present invention;

FIG. 2 is a front view of the drill of FIG. 1;

FIG. 3 is a back view of the drill of FIG. 1;

FIG. 4 is a right side view of the drill of FIG. 1;

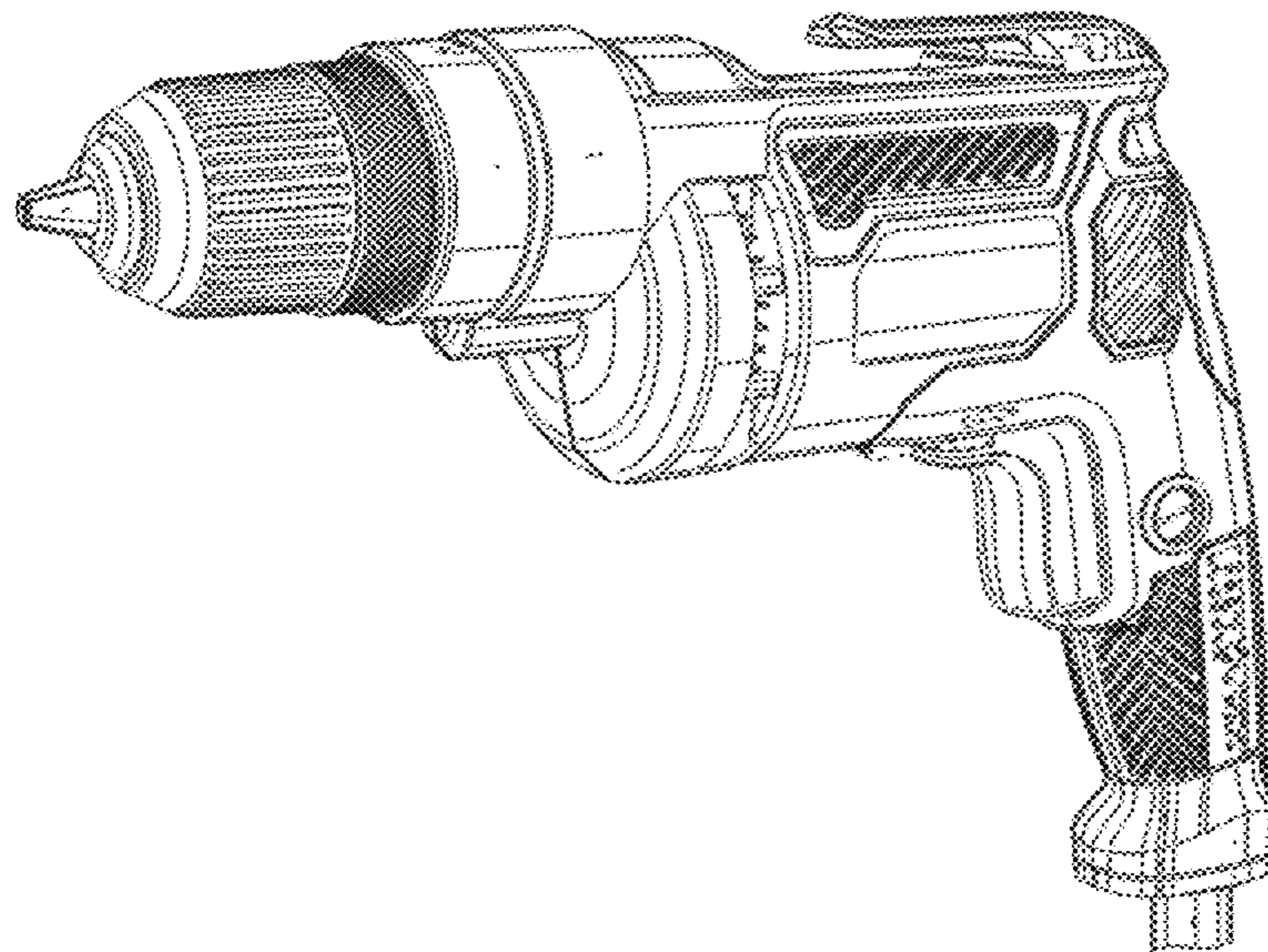
FIG. 5 is a left side view of the drill of FIG. 1;

FIG. 6 is a top view of the drill of FIG. 1; and,

FIG. 7 is a bottom view of the drill of FIG. 1.

The broken lines in the figures illustrate features that form no part of the claimed design.

1 Claim, 5 Drawing Sheets



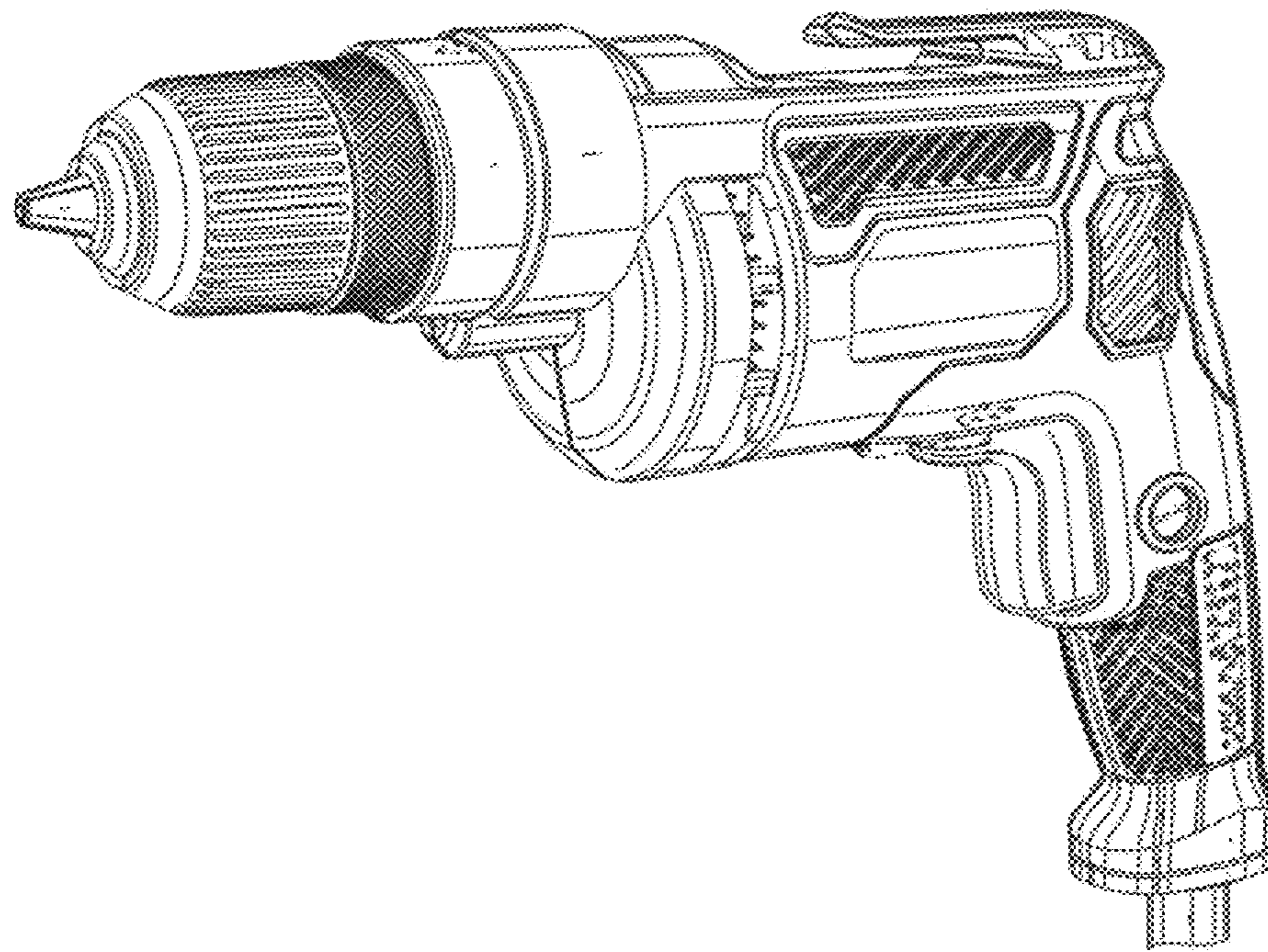


FIG. 1

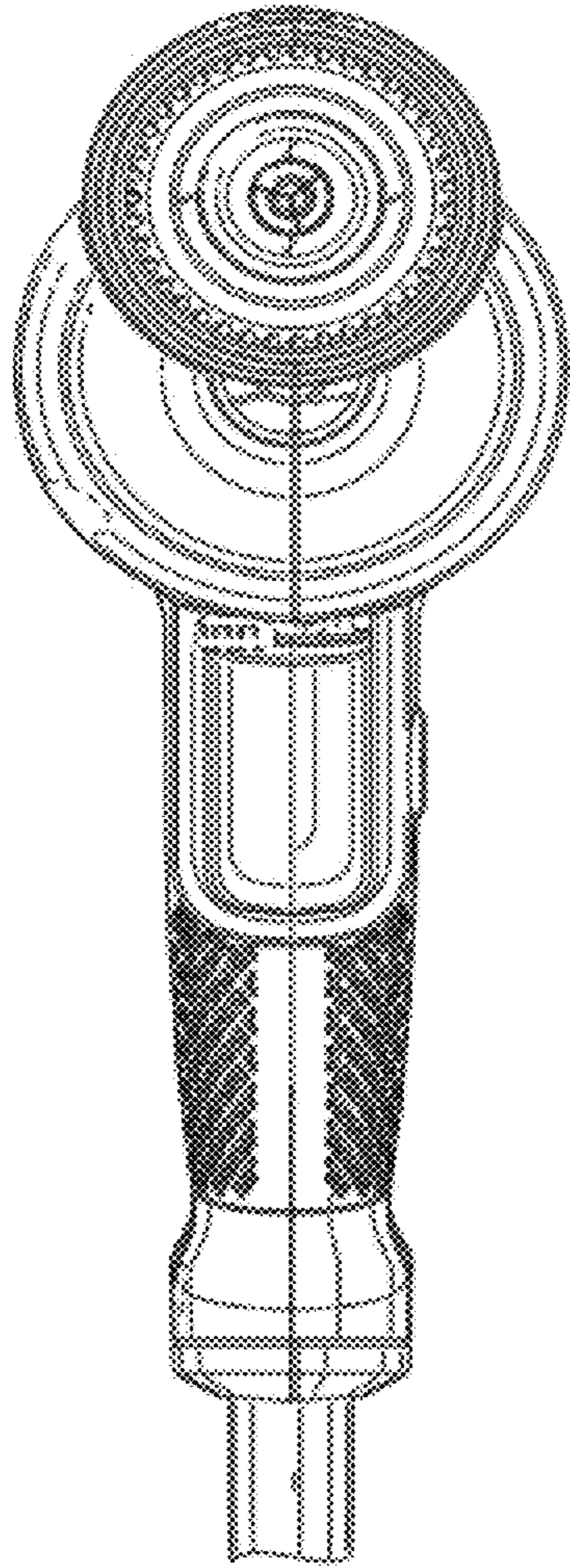


FIG. 2

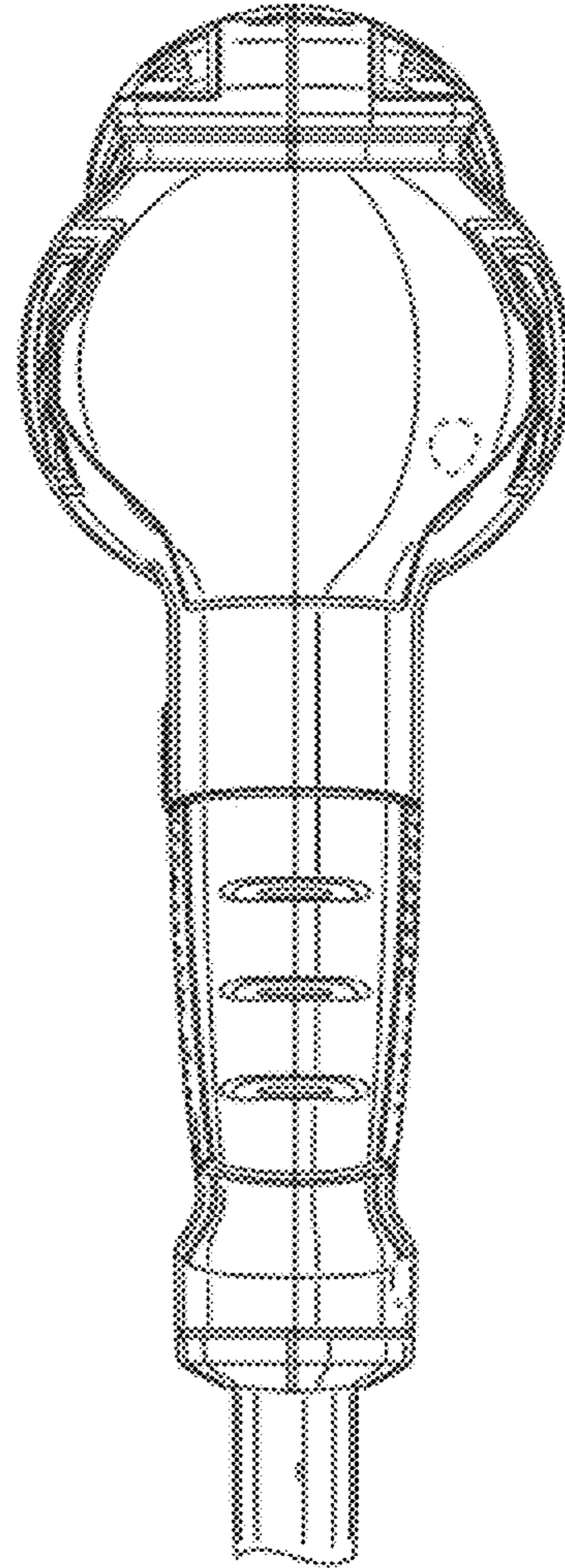


FIG. 3

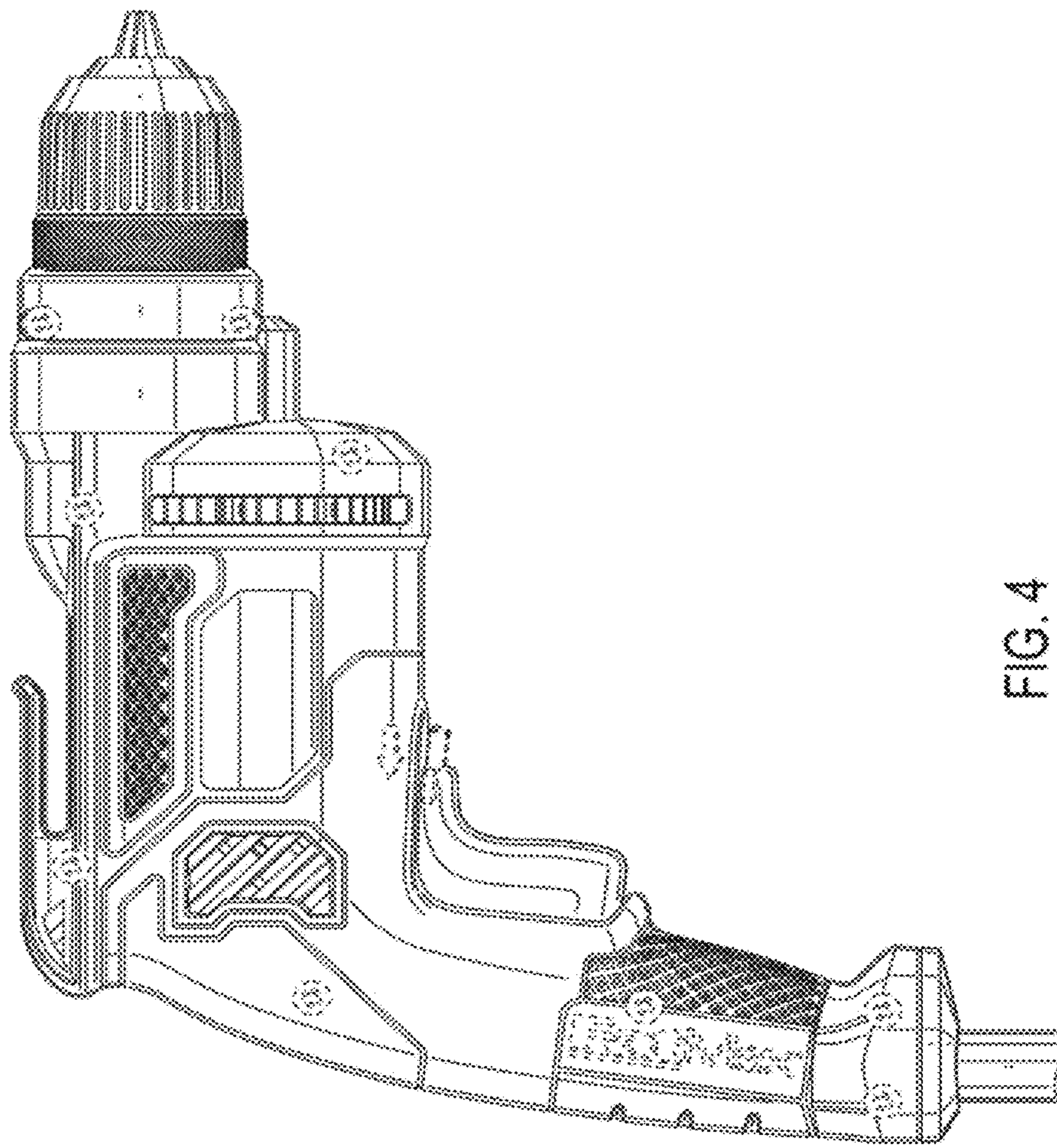


FIG. 4

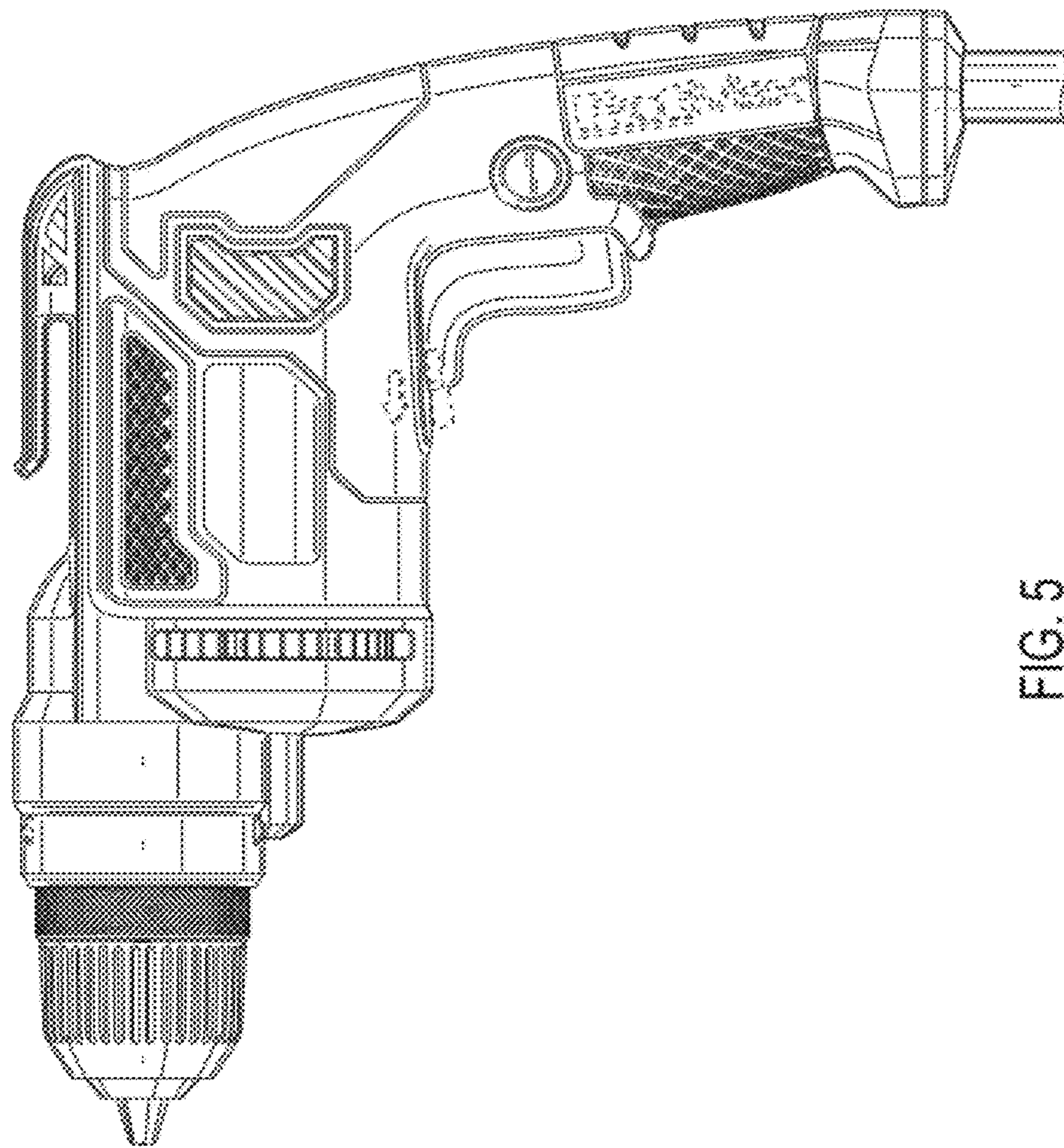


FIG. 5

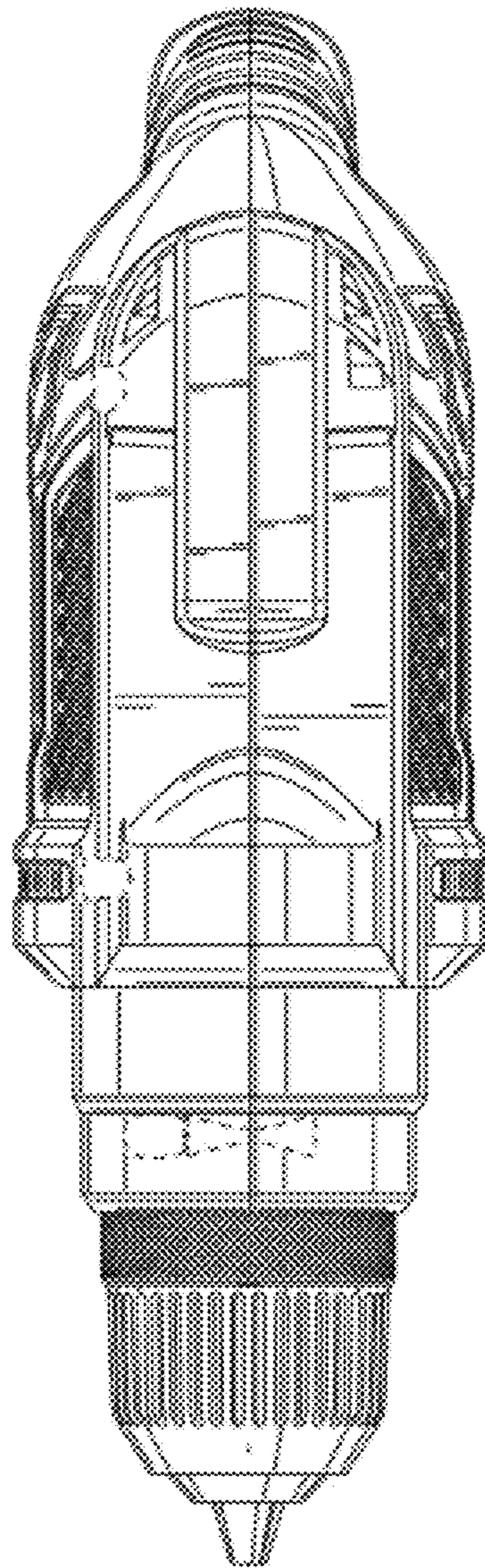


FIG. 6

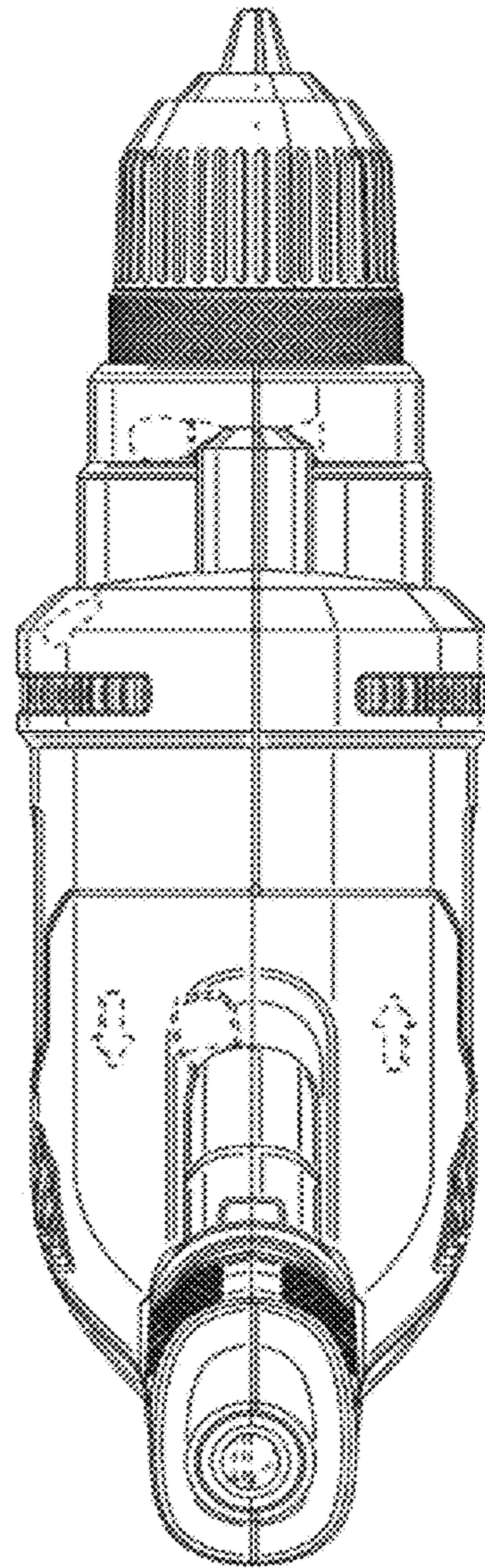


FIG. 7