

US00D674676S

(12) **United States Design Patent**  
**Wang**

(10) **Patent No.:** **US D674,676 S**

(45) **Date of Patent:** **\*\* Jan. 22, 2013**

(54) **PNEUMATIC TOOL**

(76) Inventor: **Yun-Ting Wang**, Taichung (TW)

(\*\*) Term: **14 Years**

(21) Appl. No.: **29/425,260**

(22) Filed: **Jun. 21, 2012**

(30) **Foreign Application Priority Data**

Apr. 30, 2012 (TW) ..... 101302416

(51) **LOC (9) Cl.** ..... **08-01**

(52) **U.S. Cl.** ..... **D8/61**

(58) **Field of Classification Search** ..... D8/61,  
D8/62, 67, 69; 81/57, 57.11, 57.14, 57.26,  
81/429, 464, 469; 173/2, 170, 176, 181  
See application file for complete search history.

(56) **References Cited**

**U.S. PATENT DOCUMENTS**

D567,046 S *	4/2008	Henssler et al.	.....	D8/61
D576,461 S *	9/2008	Bast	.....	D8/62
D598,260 S *	8/2009	Jerome et al.	.....	D8/61
D602,756 S *	10/2009	Henssler et al.	.....	D8/61

D643,700 S *	8/2011	Schultheiss et al.	.....	D8/64
D647,771 S *	11/2011	Schoch et al.	.....	D8/61
D648,997 S *	11/2011	Allan et al.	.....	D8/61
D658,464 S *	5/2012	Kawase et al.	.....	D8/61
D662,800 S *	7/2012	Blythe et al.	.....	D8/61

\* cited by examiner

*Primary Examiner* — Austin Murphy

(74) *Attorney, Agent, or Firm* — Faegre Baker Daniels LLP

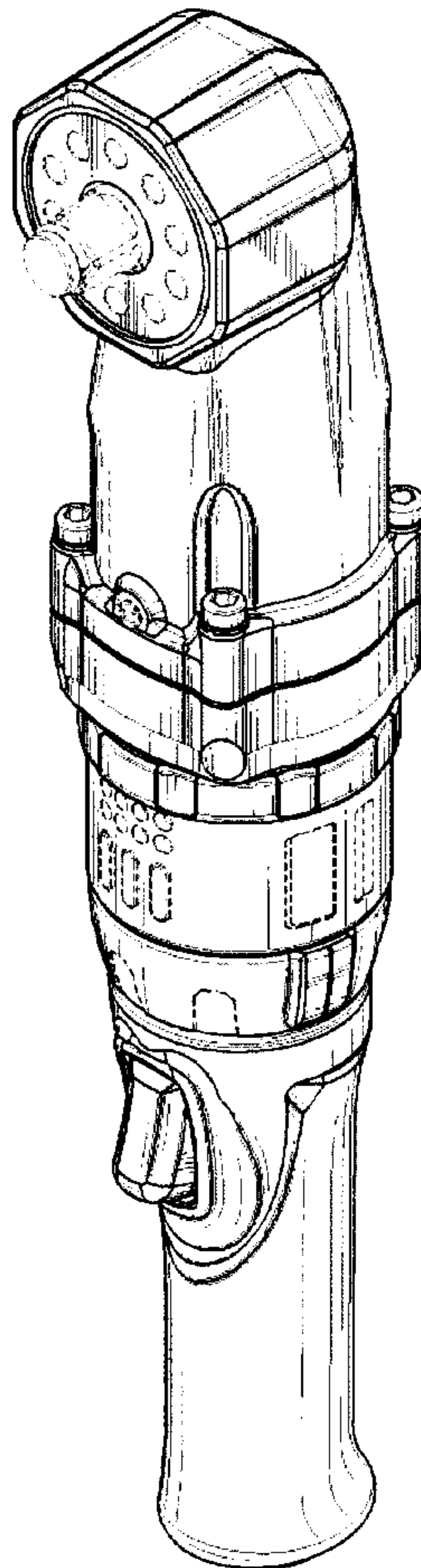
(57) **CLAIM**

The ornamental design for pneumatic tool, as shown and described.

**DESCRIPTION**

FIG. 1 is a perspective view of pneumatic tool showing my new design;  
FIG. 2 is a front elevational view thereof;  
FIG. 3 is a rear elevational view thereof;  
FIG. 4 is a left side elevational view thereof;  
FIG. 5 is a right side elevation al view thereof;  
FIG. 6 is a top plan view thereof; and,  
FIG. 7 is a bottom plan view thereof.  
The portions shown in dashed lines do not form part of the design.

**1 Claim, 6 Drawing Sheets**



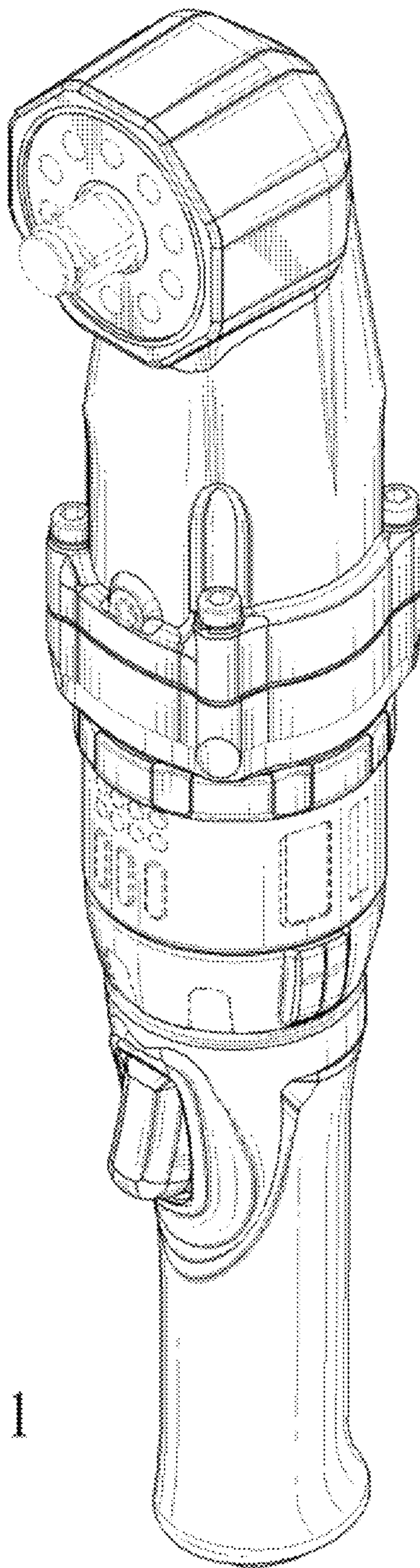


FIG. 1

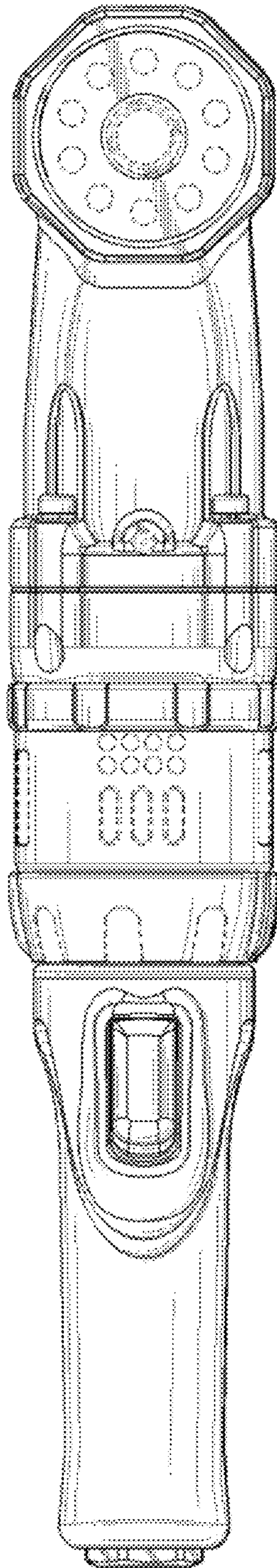


FIG. 2



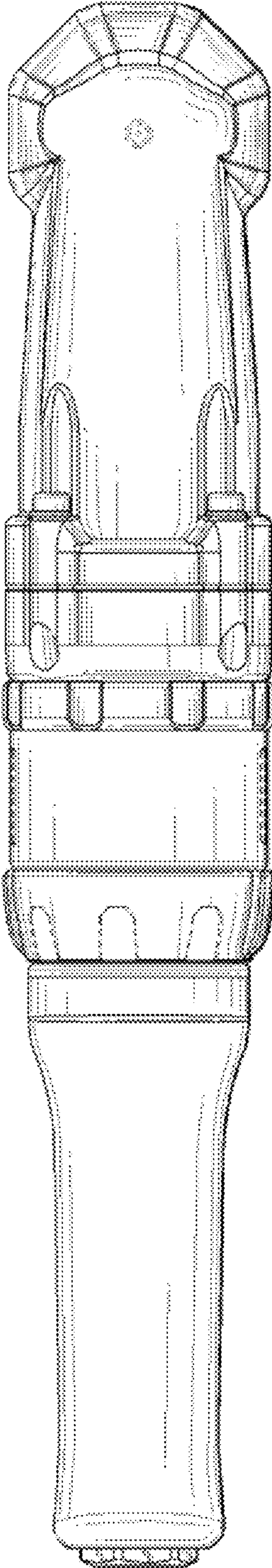


FIG. 3

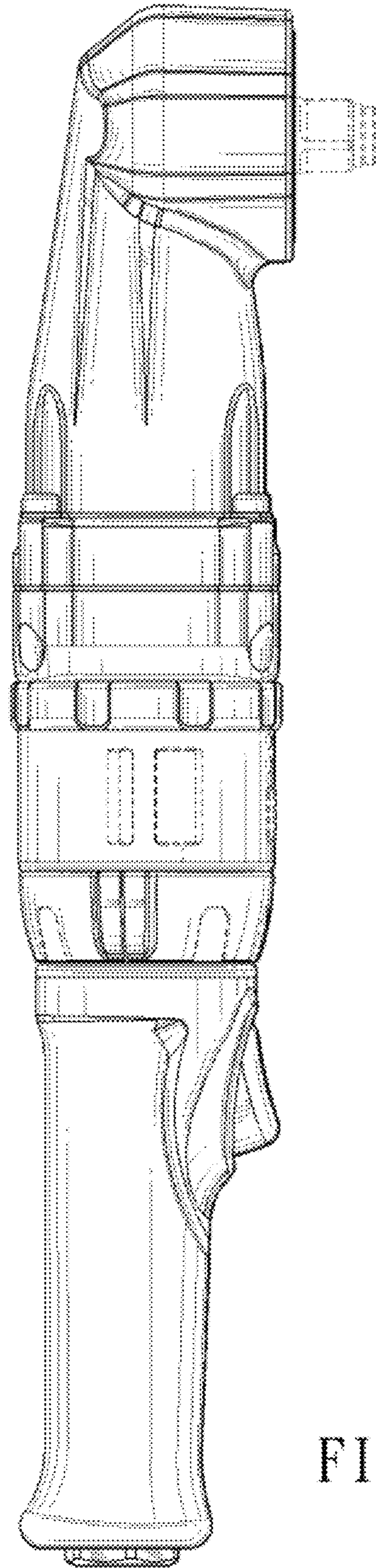


FIG. 4

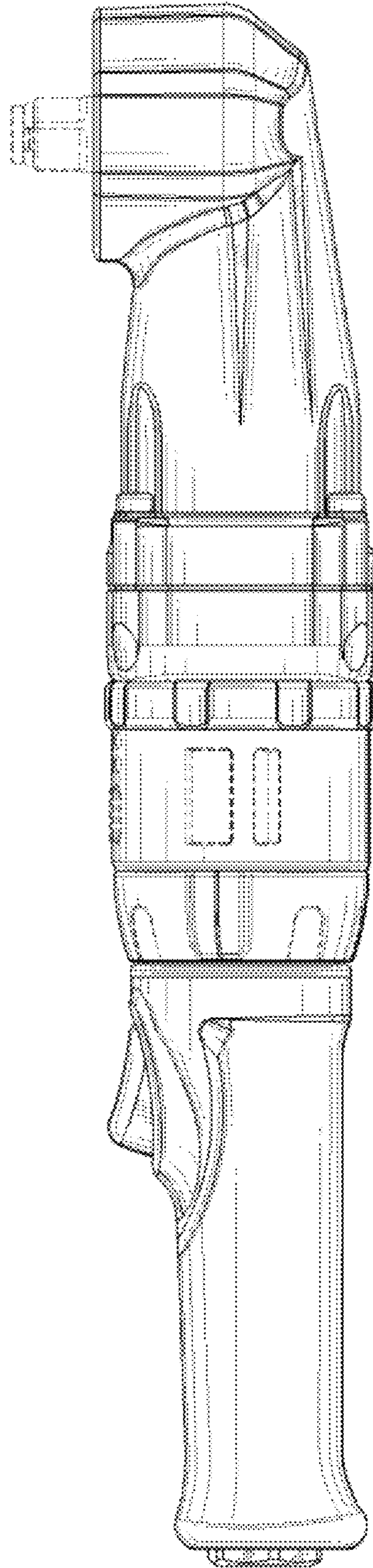


FIG. 5



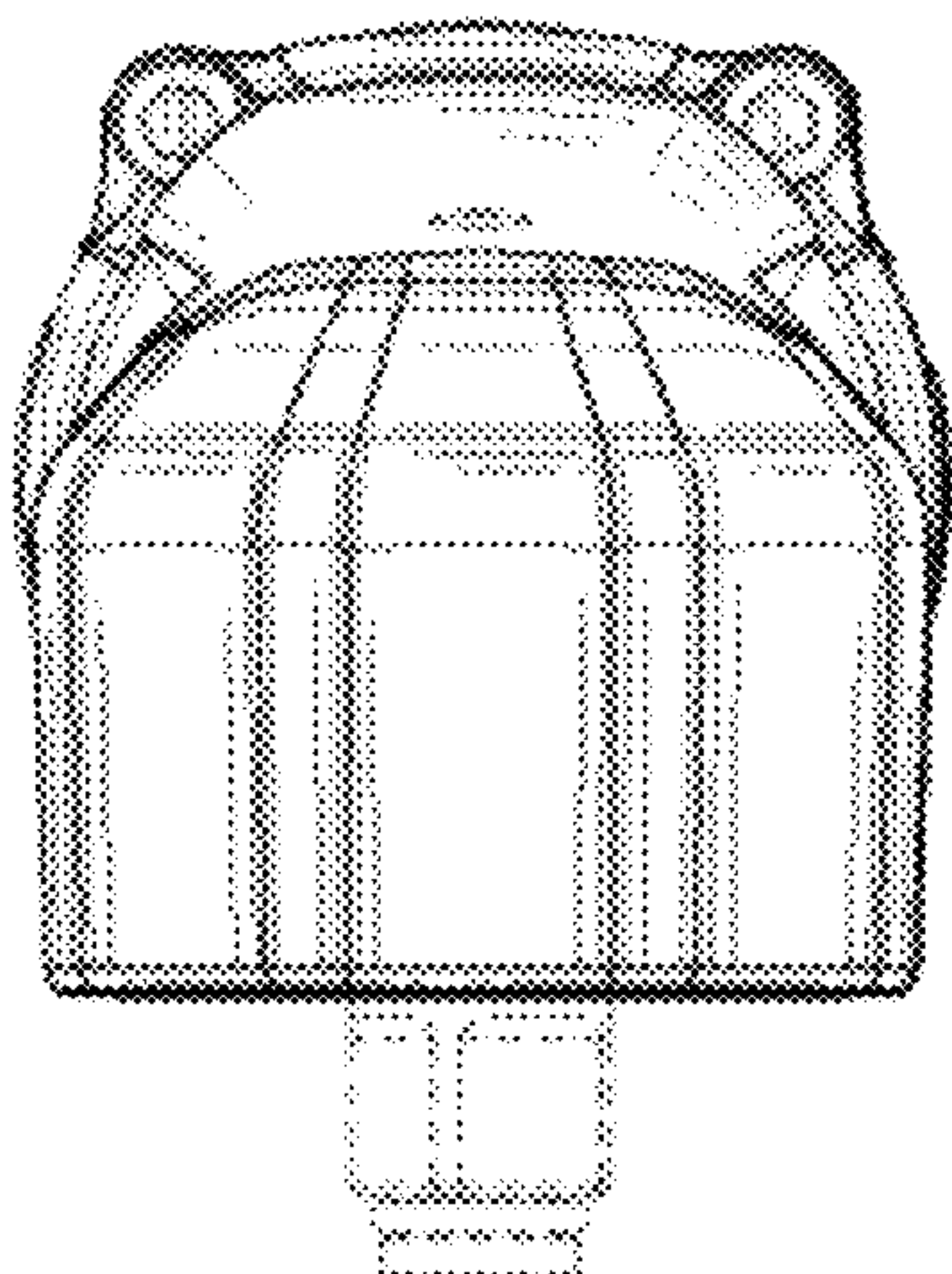


FIG. 6

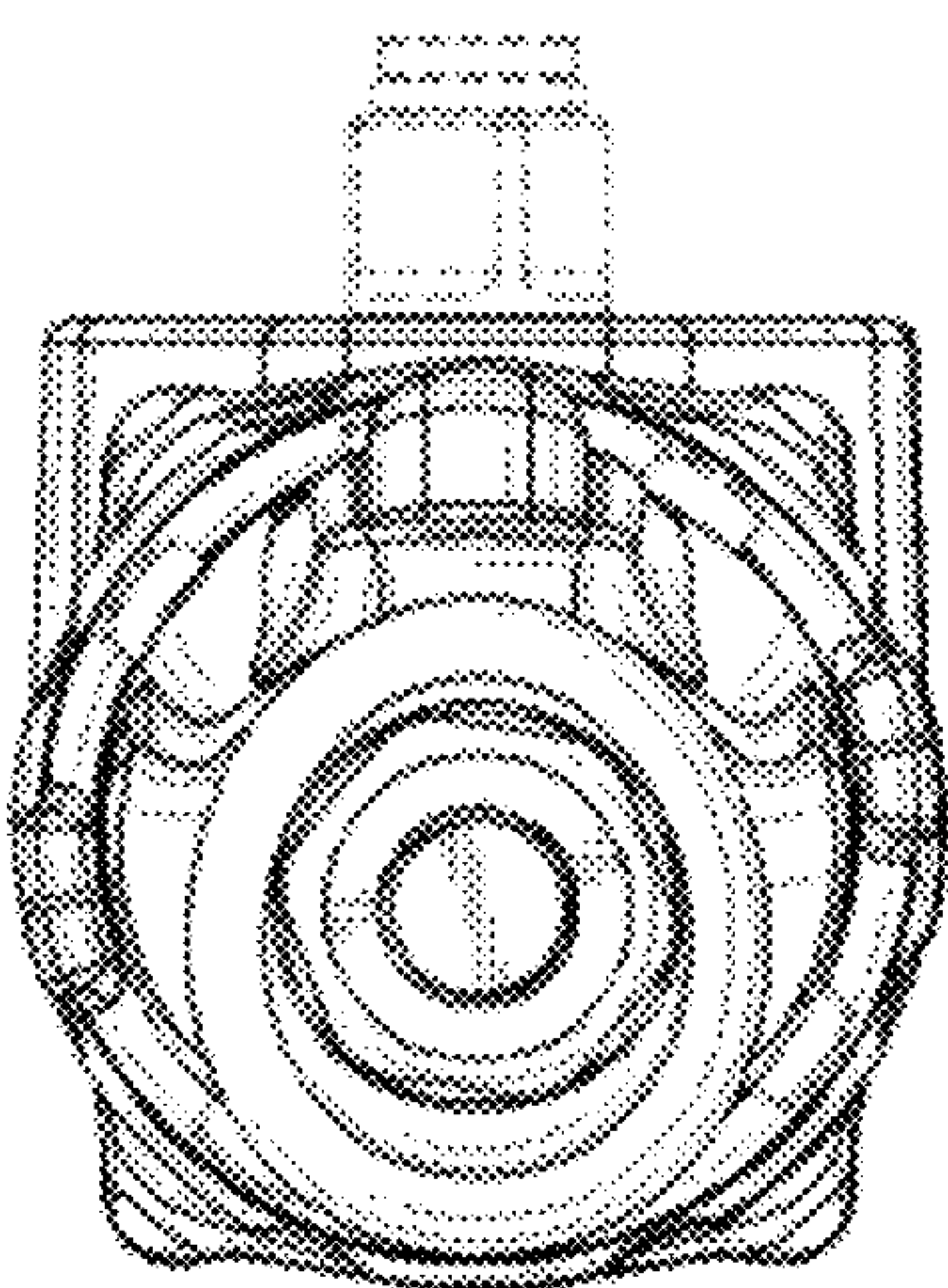


FIG. 7