



US00D674673S

(12) **United States Design Patent**  
**Heidelberger**

(10) **Patent No.:** **US D674,673 S**

(45) **Date of Patent:** **\*\* Jan. 22, 2013**

(54) **MAGNETIC TOOL HOLDER IN THE SHAPE OF A WRENCH**

(75) Inventor: **Richard Heidelberger**, Mauldin, SC (US)

(73) Assignee: **KKU, Inc.**, Tokyo (JP)

(\*\*) Term: **14 Years**

(21) Appl. No.: **29/423,517**

(22) Filed: **Jun. 1, 2012**

(51) **LOC (9) Cl.** ..... **08-05**

(52) **U.S. Cl.** ..... **D8/28**

(58) **Field of Classification Search** ..... D8/21-30, D8/373; 81/60, 177.1, 177.85, 121.1, 124.3, 81/165-170, 110.1, 176.2, 124.6, 176.1, 81/176.15, 177.2; 16/110.1; D15/144.1; 219/75, 227, 229, 121.16, 121.18; 211/70.6, 211/70.7, 13, 60.1, 69.1, 70.1, 86, 87, 88; 248/37.3, 300; 206/350, 379, 378, 477, 483, 206/565; 220/916; D6/512, 553, 567, 569, D6/573, 574, 570

See application file for complete search history.

(56) **References Cited**

**U.S. PATENT DOCUMENTS**

- 3,842,980 A \* 10/1974 Kushner ..... 248/205.3
- 4,544,067 A \* 10/1985 Miller ..... 211/70.6
- D294,667 S \* 3/1988 Handler et al. .... D6/569
- 6,719,155 B1 \* 4/2004 Chang ..... 211/70.6
- D493,319 S \* 7/2004 Lloyd-Morris ..... D6/553
- 6,923,317 B2 \* 8/2005 Coleman et al. .... 206/350
- D523,304 S \* 6/2006 Hsieh ..... D8/28
- 7,172,079 B1 \* 2/2007 Shiao ..... 211/70.6

- D584,932 S \* 1/2009 Chang ..... D8/27
- D607,253 S \* 1/2010 McCammon ..... D6/553
- D626,817 S \* 11/2010 Donowho et al. .... D8/356
- D662,799 S \* 7/2012 Hsieh ..... D8/28

\* cited by examiner

*Primary Examiner* — Raphael Barkai  
*Assistant Examiner* — Randall Gholson

(74) *Attorney, Agent, or Firm* — Bennett Mullinax, LLC

(57) **CLAIM**

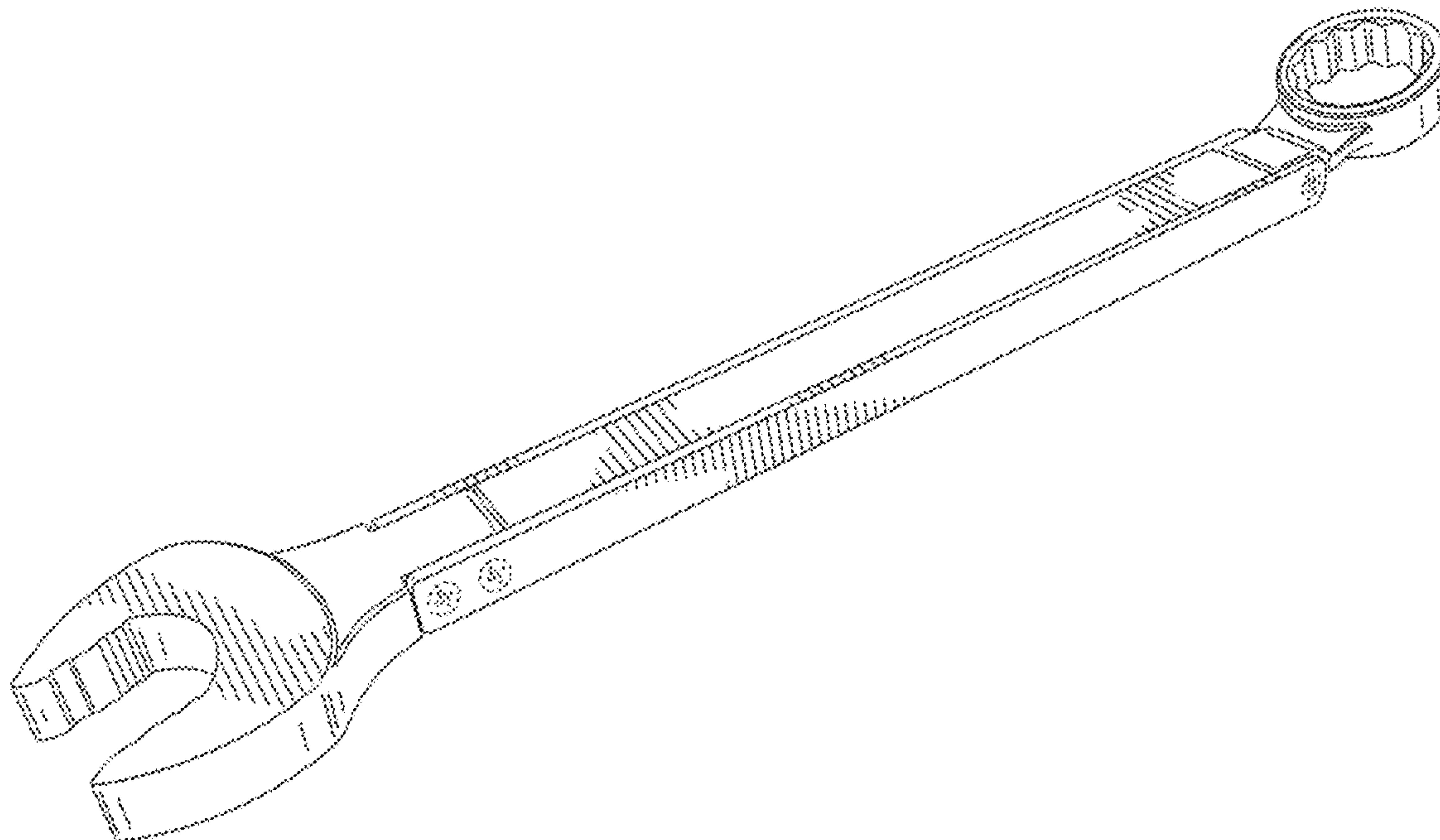
The ornamental design for a magnetic tool holder in the shape of a wrench, as shown and described.

**DESCRIPTION**

FIG. 1 is a top perspective view of the magnetic tool holder in the shape of a wrench according to the present design; FIG. 2 is a bottom perspective view of the magnetic tool holder in the shape of a wrench as shown in FIG. 1; FIG. 3 is a top plan view of the magnetic tool holder in the shape of a wrench as shown in FIG. 1; FIG. 4 is a bottom plan view of the magnetic tool holder in the shape of a wrench as shown in FIG. 1; FIG. 5 is a right side view of the magnetic tool holder in the shape of a wrench as shown in FIG. 1; FIG. 6 is a left side view of the magnetic tool holder in the shape of a wrench as shown in FIG. 1; FIG. 7 is a front plan view of the magnetic tool holder in the shape of a wrench as shown in FIG. 1; and, FIG. 8 is a bottom plan view of the magnetic tool holder in the shape of a wrench as shown in FIG. 1.

The broken lines shown in the drawing disclosure are for illustrative purposes only and form no part of the claimed design.

**1 Claim, 5 Drawing Sheets**



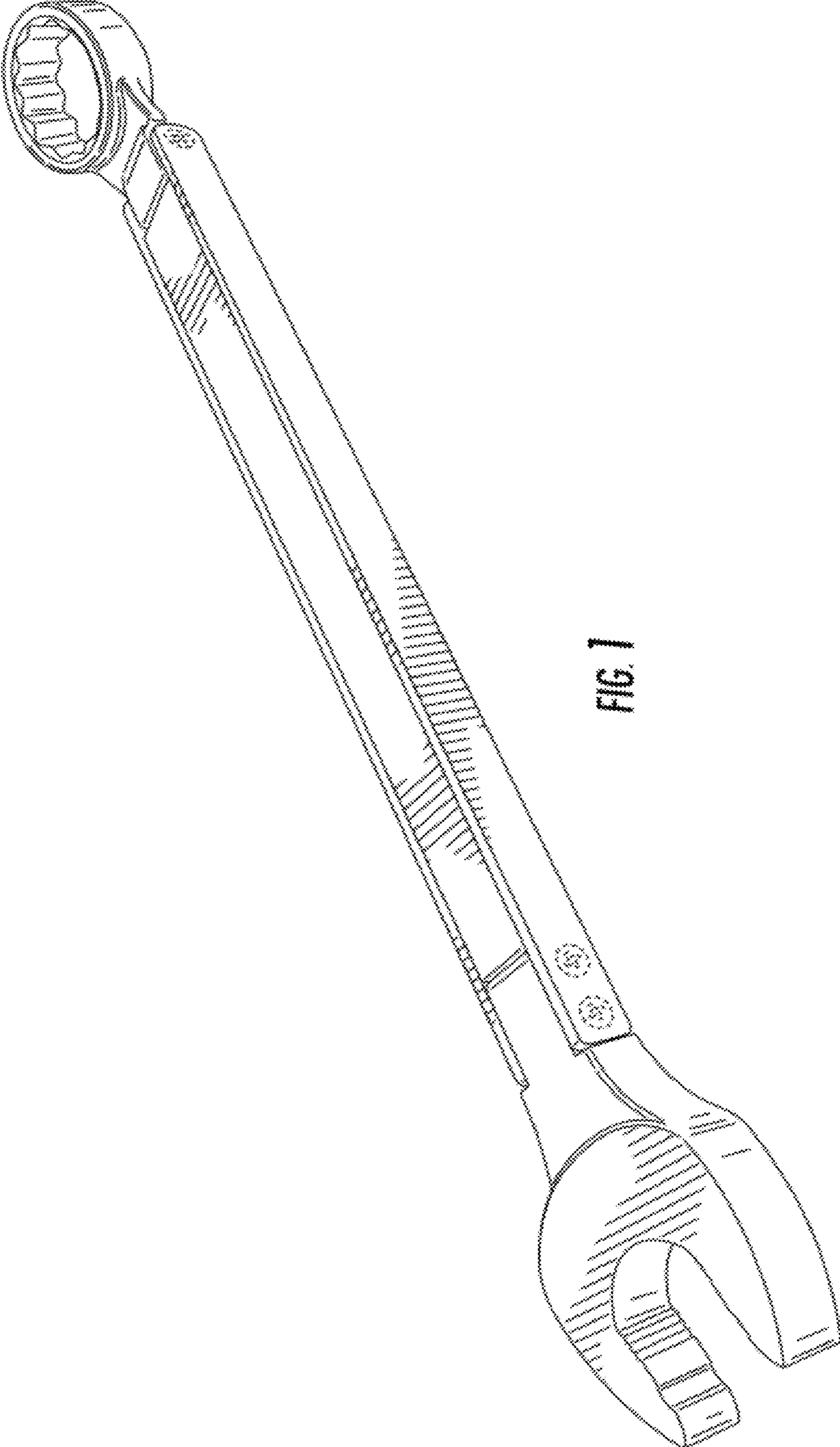


FIG. 1

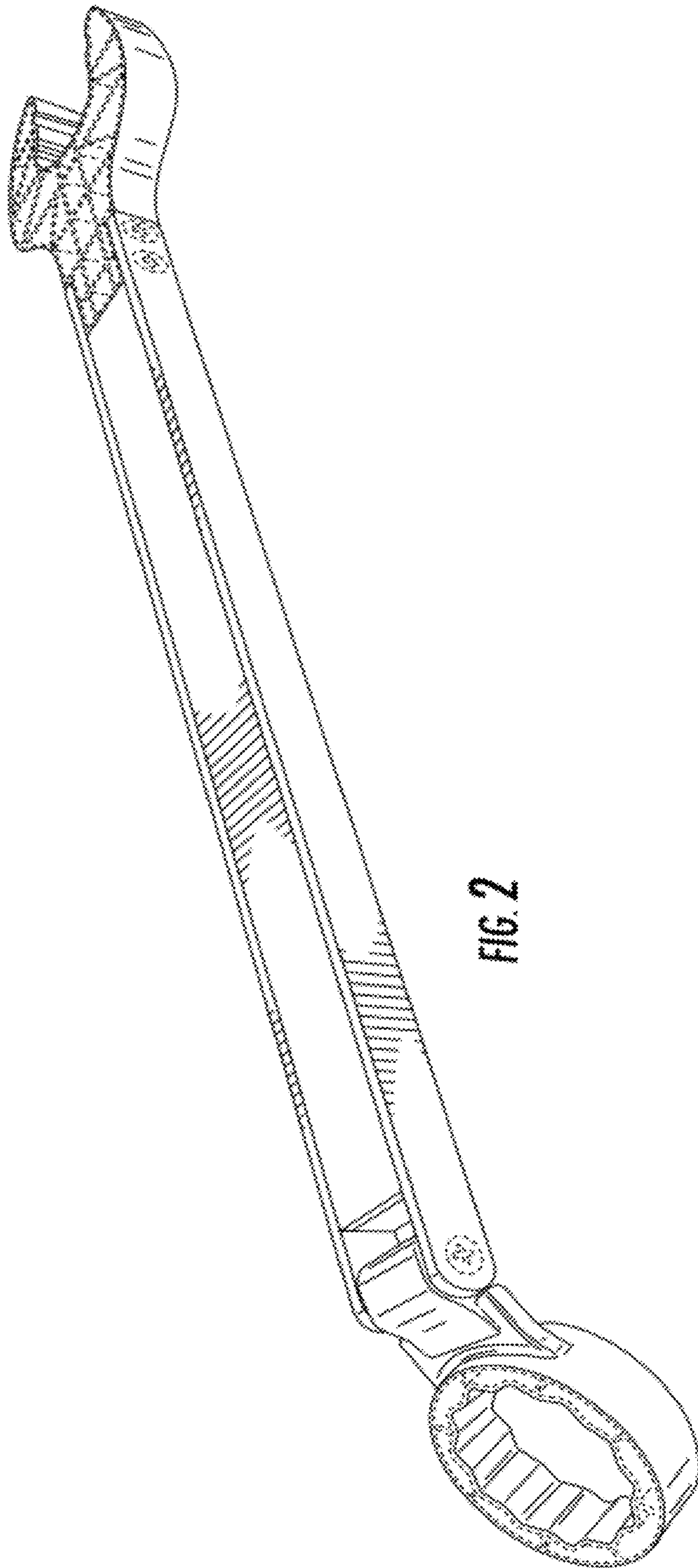


FIG. 2



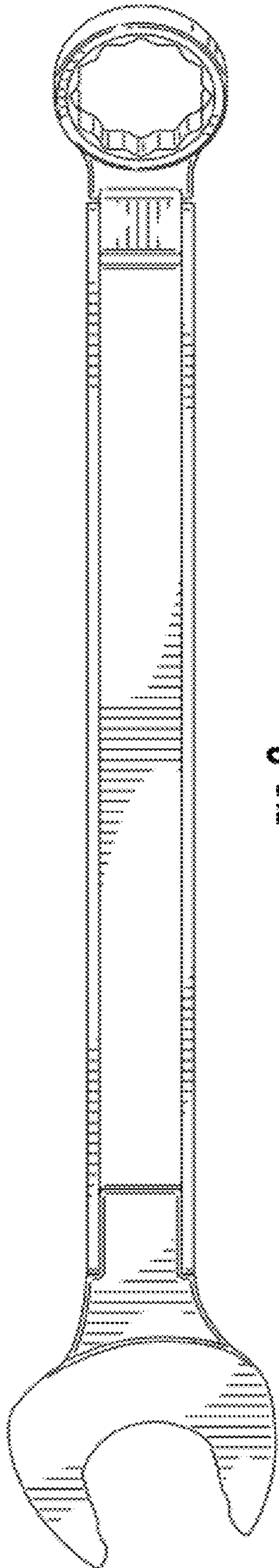


FIG. 3

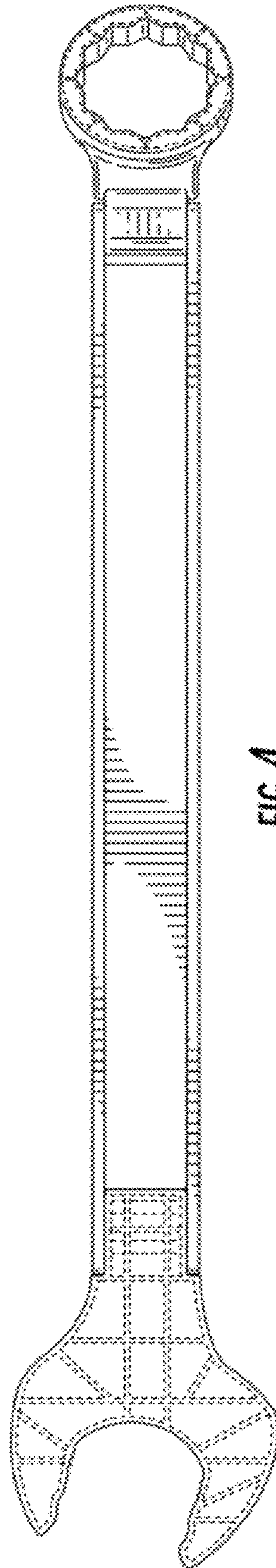


FIG. 4

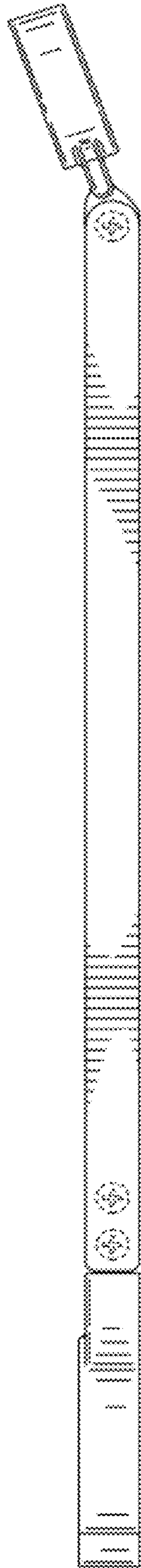


FIG. 5

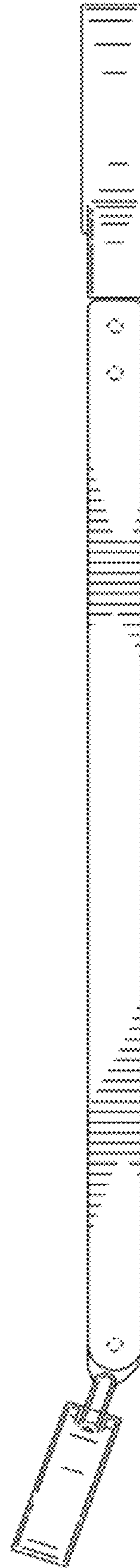
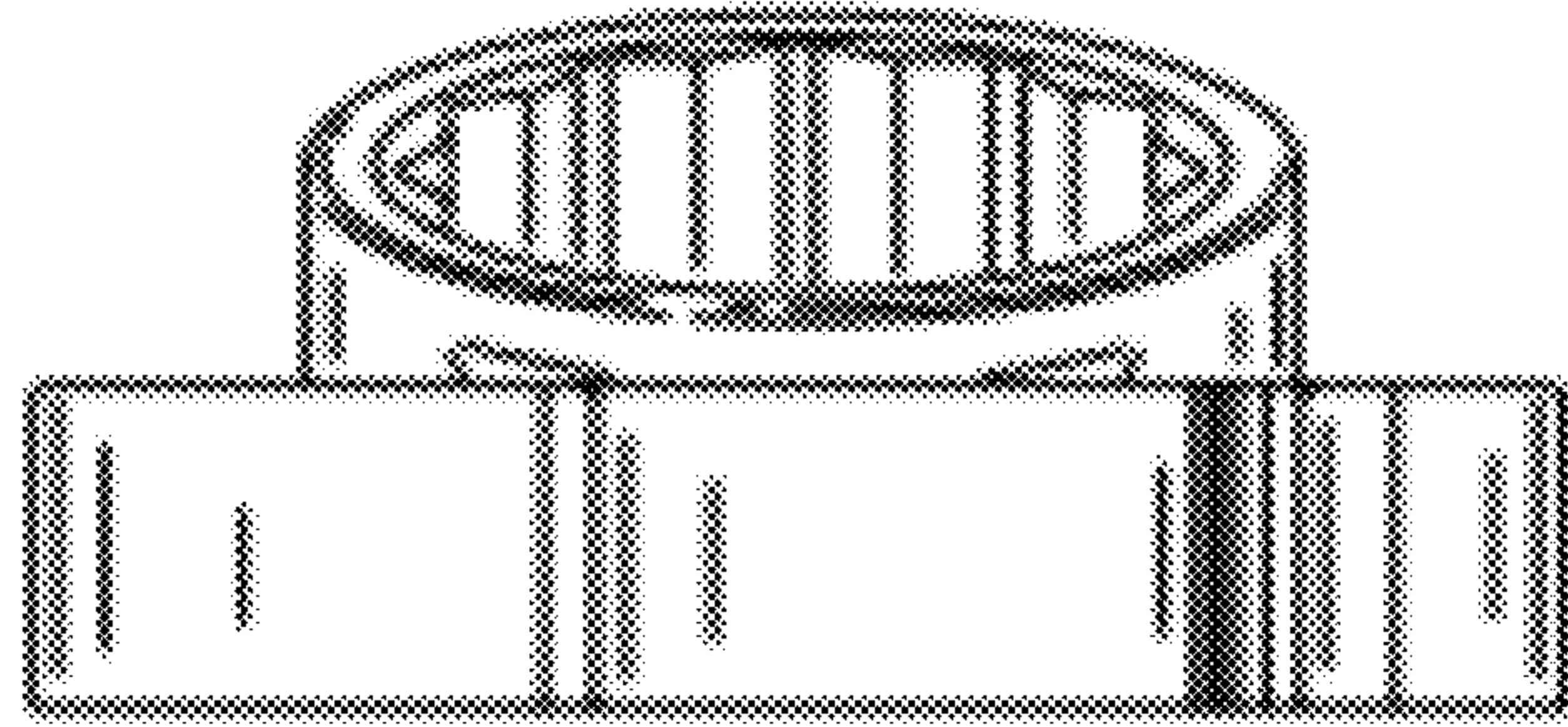
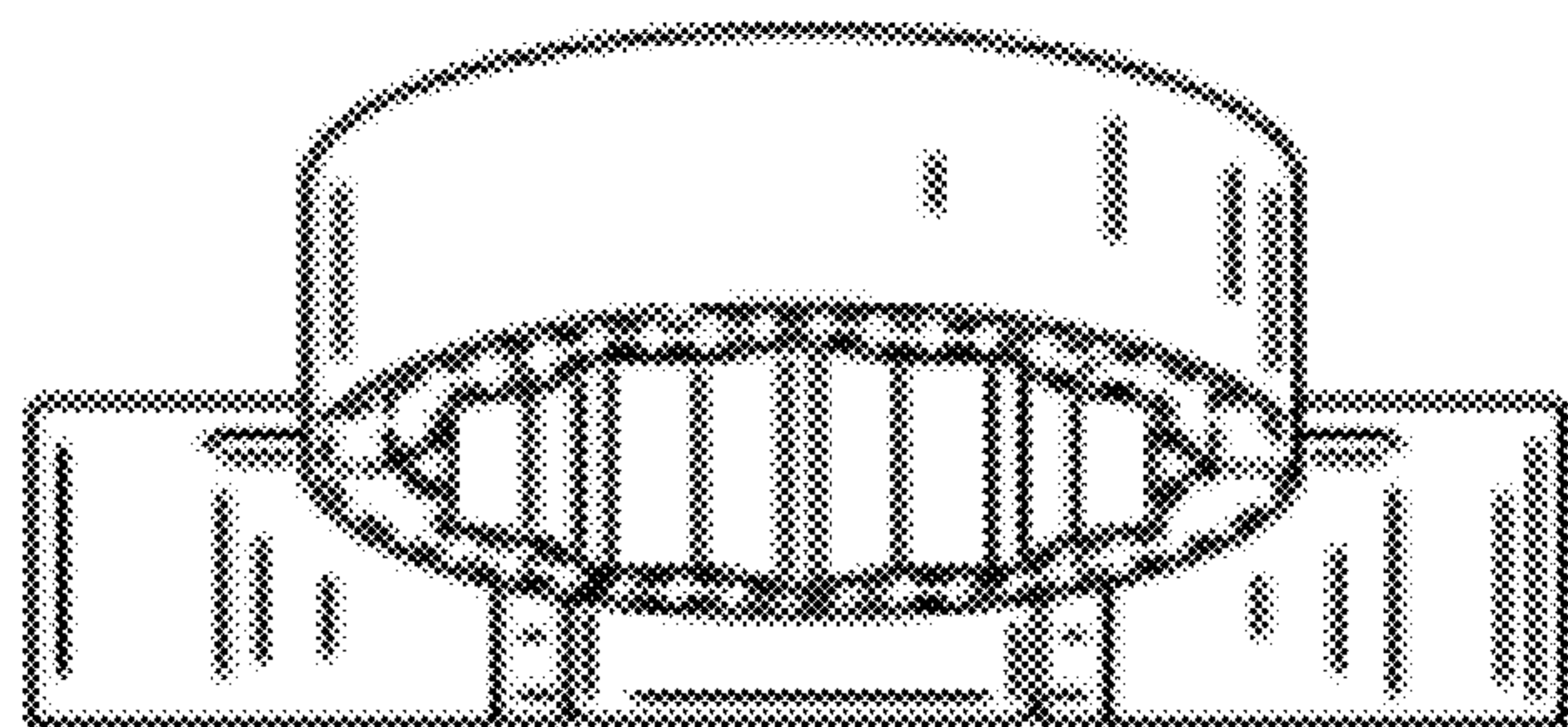


FIG. 6



**FIG. 7**



**FIG. 8**