



US00D674671S

(12) **United States Design Patent**
Borovicka et al.

(10) **Patent No.:** **US D674,671 S**
(45) **Date of Patent:** **** Jan. 22, 2013**

(54) **GRILL OILER**

(75) Inventors: **Cory Thomas Borovicka**, Oakland, CA (US); **Kwame Phillips-Solomon**, Emeryville, CA (US)

(73) Assignee: **Charcoal Companion Incorporated**, Emeryville, CA (US)

(**) Term: **14 Years**

(21) Appl. No.: **29/400,414**

(22) Filed: **Aug. 26, 2011**

(51) **LOC (9) Cl.** **07-04**

(52) **U.S. Cl.** **D7/669**

(58) **Field of Classification Search** D7/669, D7/590; 401/123, 118, 119, 126, 130, 261, 401/290, 202, 205, 206, 37, 39; 15/228, 15/231, 147.1, 145, 210.1, 104.94, 160; D4/119–121
See application file for complete search history.

(56) **References Cited**

U.S. PATENT DOCUMENTS

4,299,851	A *	11/1981	Lowe	426/132
D522,246	S *	6/2006	Franczak et al.	D4/119
8,099,822	B2 *	1/2012	Dale et al.	15/231
2005/0207820	A1 *	9/2005	Franczak et al.	401/39

2006/0029457	A1 *	2/2006	Dale et al.	401/123
2008/0052853	A1 *	3/2008	Dale et al.	15/160
2012/0063836	A1 *	3/2012	Gilbert et al.	401/261

* cited by examiner

Primary Examiner — Terry Wallace

(74) *Attorney, Agent, or Firm* — Beeson Skinner Beverly, LLP

(57) **CLAIM**

The ornamental design for a grill oiler, as shown and described.

DESCRIPTION

FIG. 1 is a top perspective view of a grill oiler showing our new design;

FIG. 2 is a front elevational view thereof;

FIG. 3 is a left side elevational view thereof, the right side being a mirror image;

FIG. 4 is rear elevational view thereof;

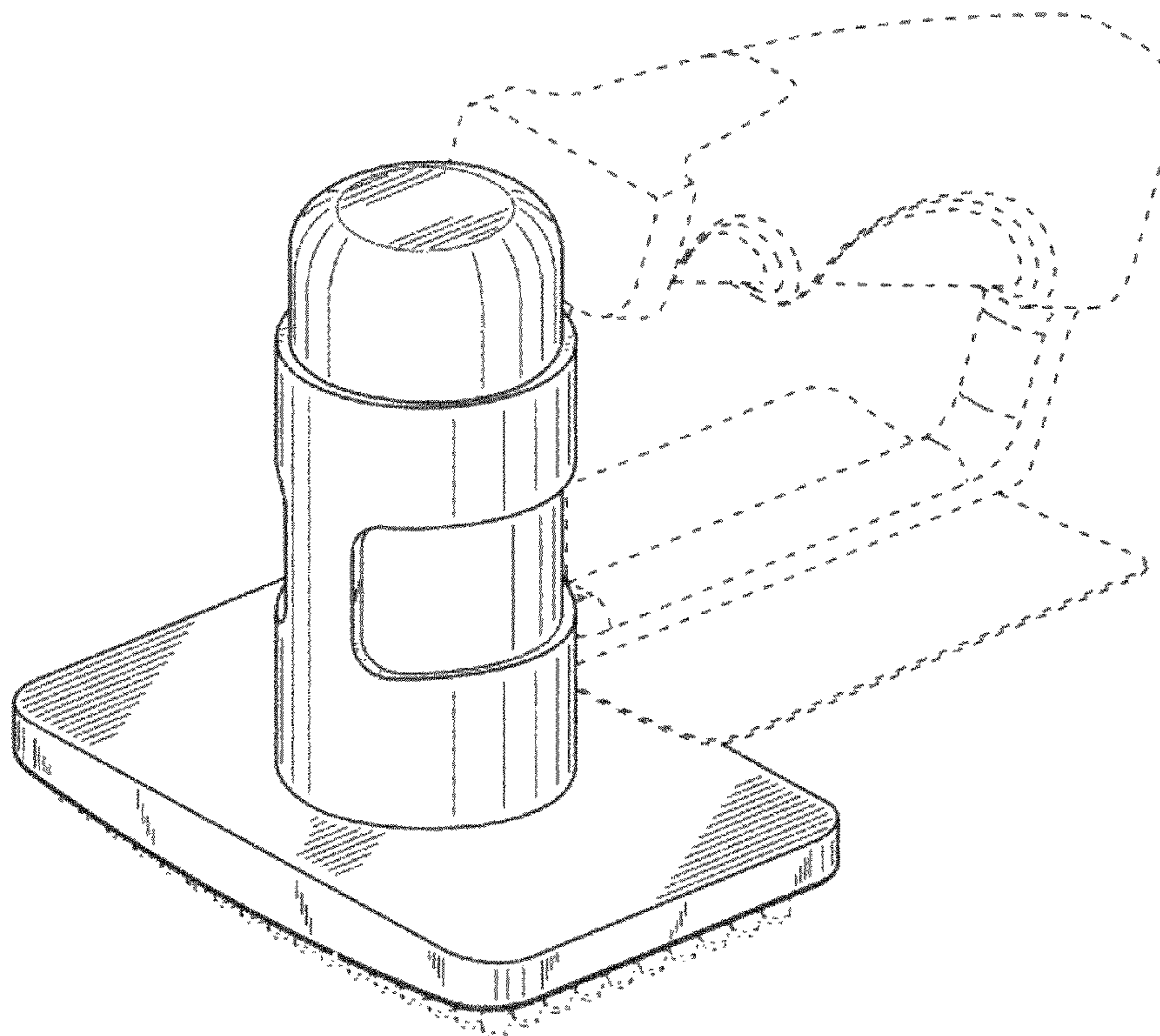
FIG. 5 is another rear elevational view thereof with the handle and shield shown in dashed lines in FIG. 5 removed;

FIG. 6 is a top plan view thereof; and,

FIG. 7 is a bottom plan view thereof.

The grill oiler is used to oil the grill of a barbeque. The broken lines showing of a handle and shield, and the bristles on the cleaning pad of the grill oiler are for illustrative purposes only; the broken lines form no part of our claimed design.

1 Claim, 4 Drawing Sheets



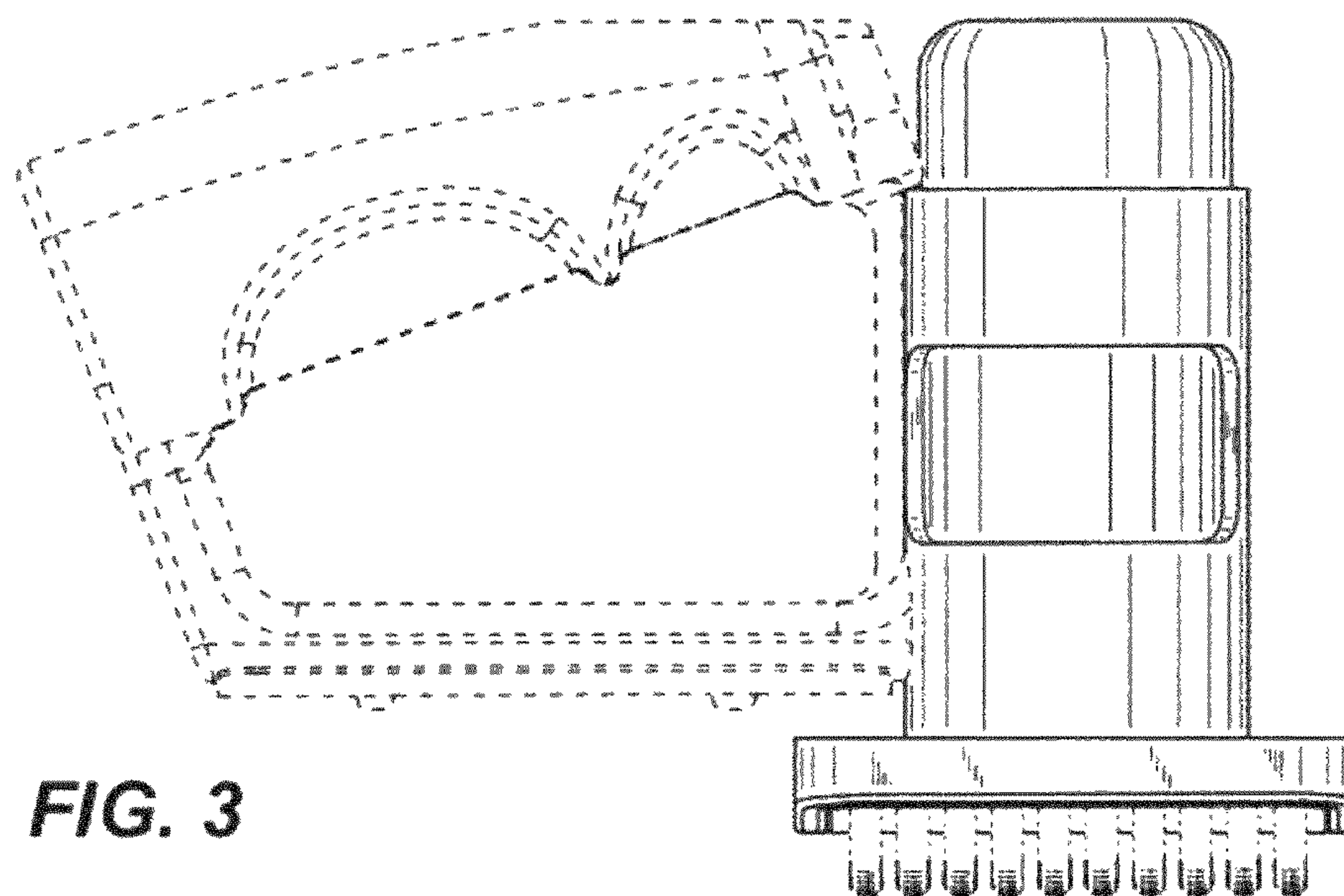
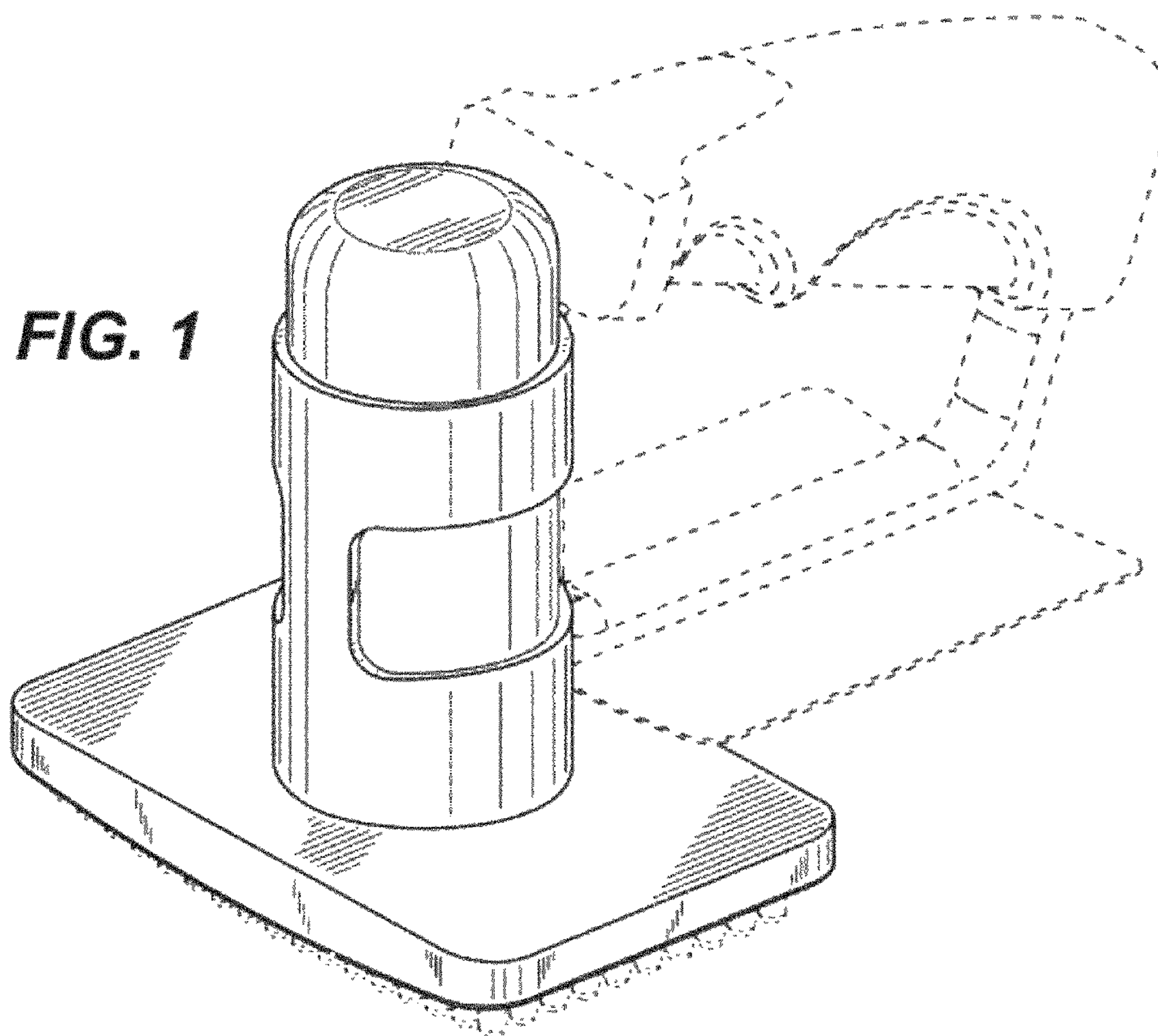


FIG. 2

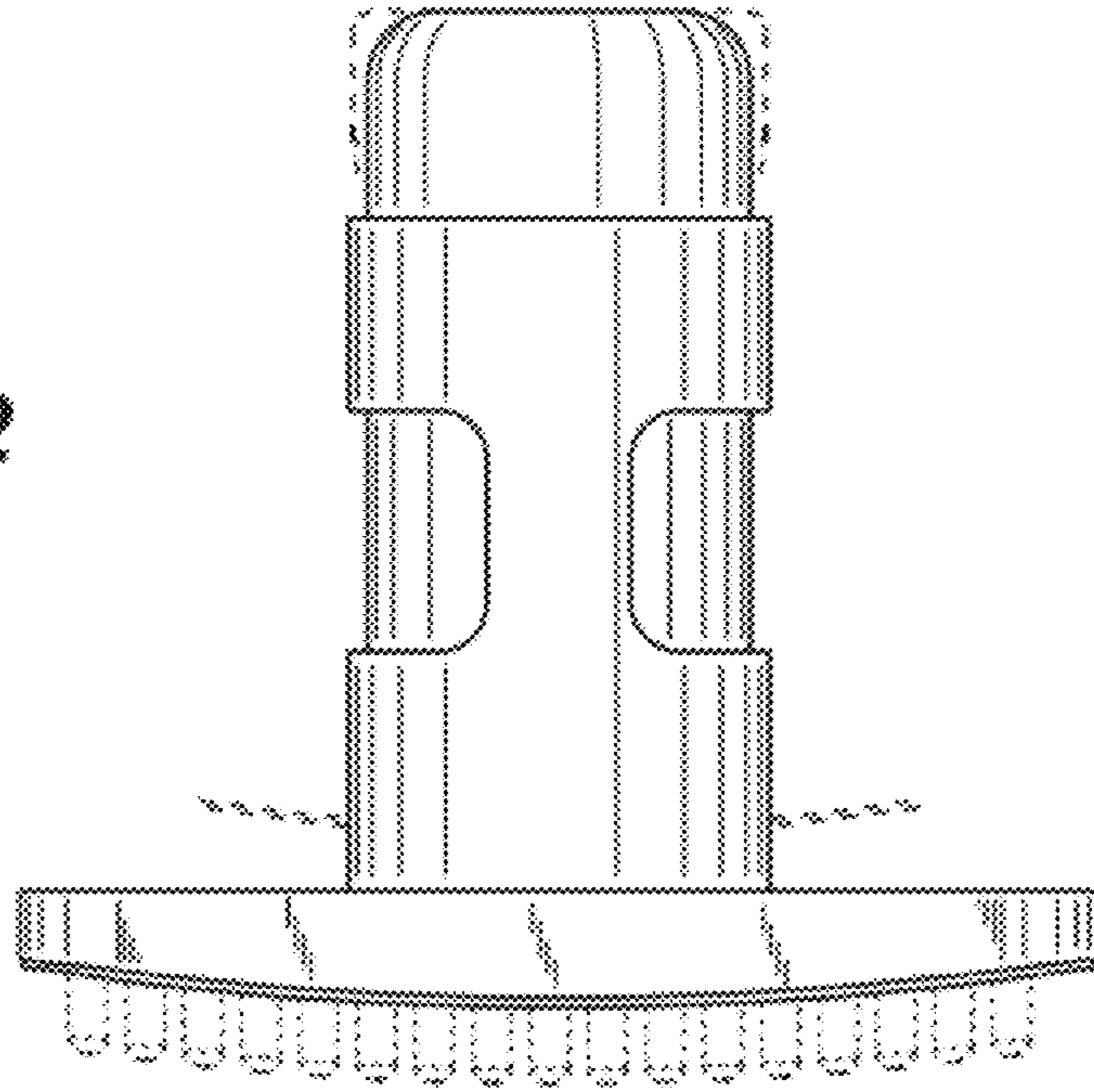


FIG. 6

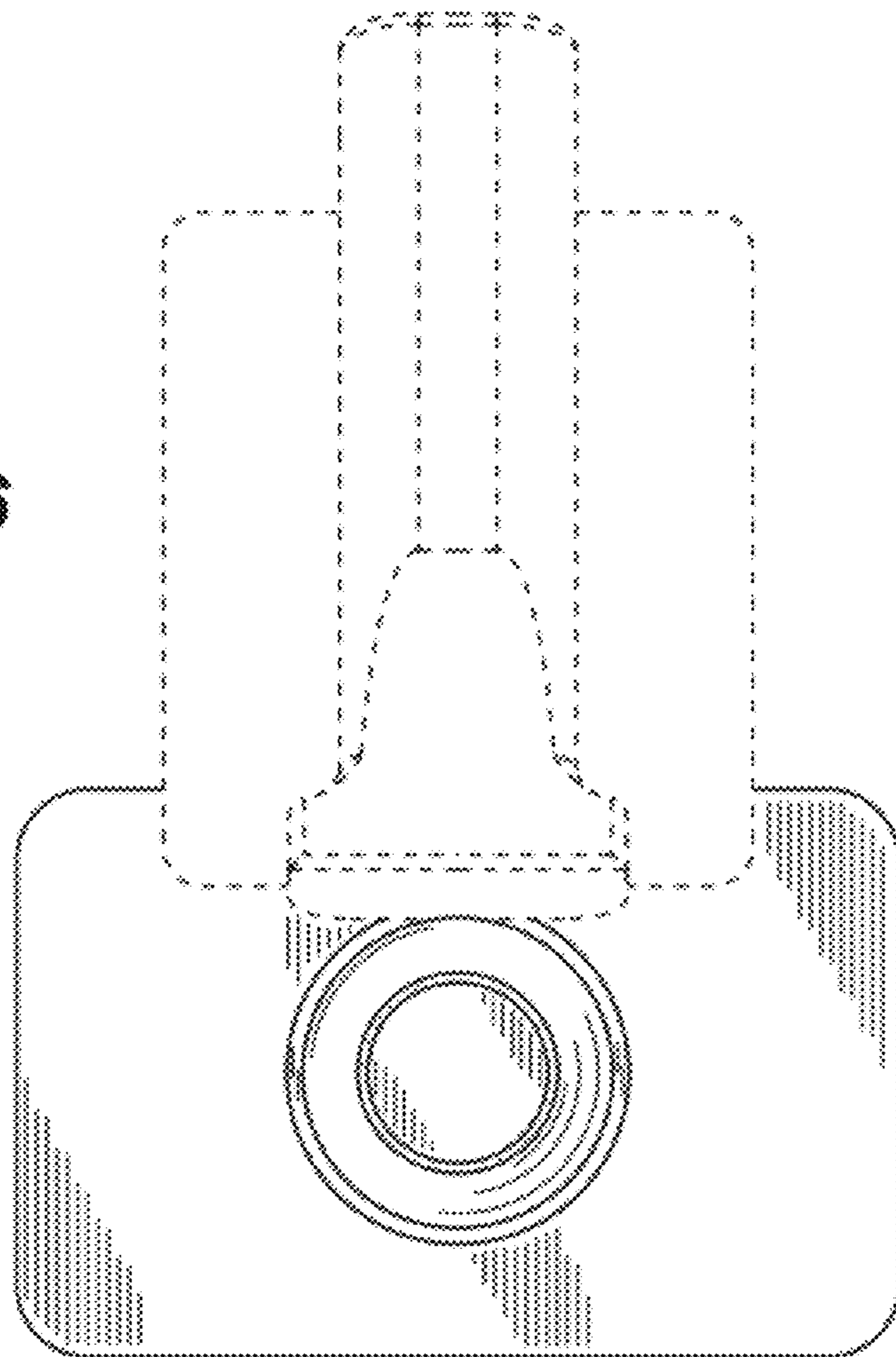


FIG. 4

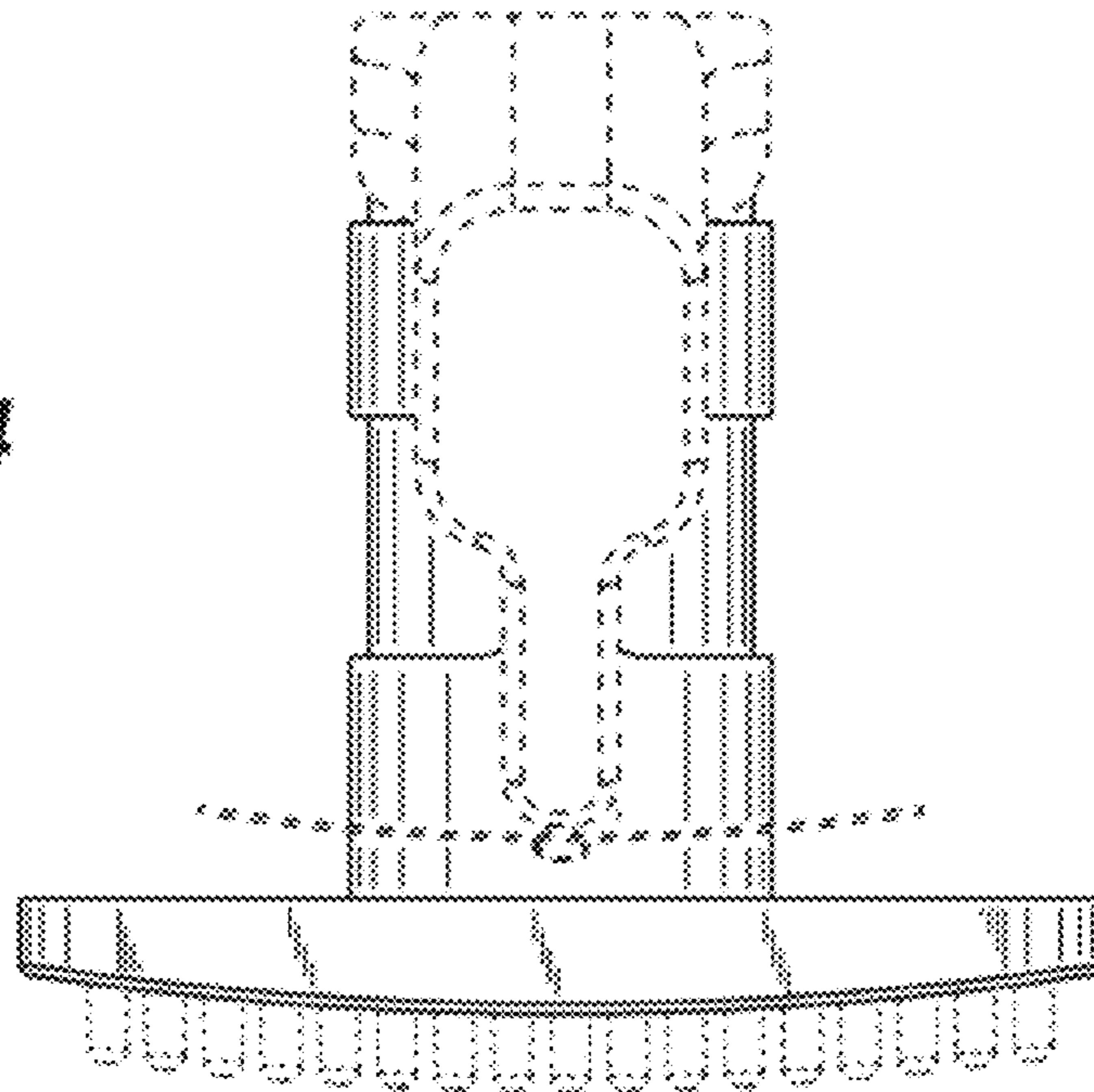


FIG. 7

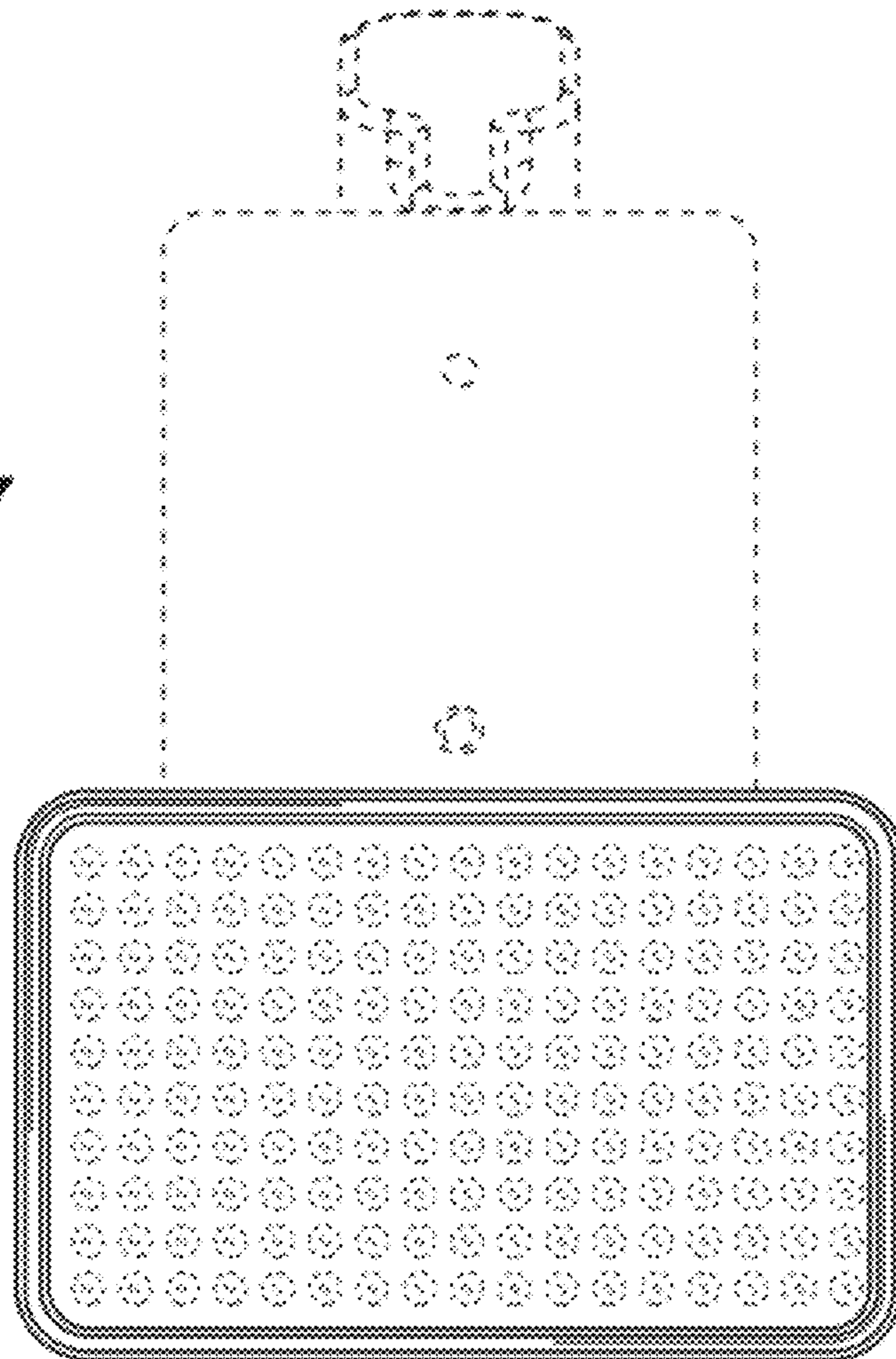


FIG. 5

