



US00D674669S

(12) **United States Design Patent**  
**Gerli**

(10) **Patent No.:** **US D674,669 S**  
(45) **Date of Patent:** **\*\* Jan. 22, 2013**

(54) **PLASTIC EATING UTENSIL WITH AN INDENTED PLATE CLIP**

(76) Inventor: **Stephen Joseph Gerli**, Holbrook, NY (US)

(\*\*) Term: **14 Years**

(21) Appl. No.: **29/420,767**

(22) Filed: **May 11, 2012**

(51) **LOC (9) Cl.** ..... **07-03**

(52) **U.S. Cl.** ..... **D7/645**; D7/642; D7/649; D7/653

(58) **Field of Classification Search** ..... D7/368, D7/393-395, 401.2, 505, 642-646, 649-654, D7/660-664, 669, 675-676, 683, 688-692, D7/695-696; 30/137, 141-143, 147-150, 30/322-327, 329, 340, 342-344; 220/574.1, 220/735; 248/37.6; 416/70 R, 75

See application file for complete search history.

(56) **References Cited**

**U.S. PATENT DOCUMENTS**

D148,355 S 3/1874 Dennett

(Continued)

*Primary Examiner* — Ricky Pham

(74) *Attorney, Agent, or Firm* — QuickPatents, Inc.; Kevin Prince

(57) **CLAIM**

I claim the ornamental design for a plastic eating utensil with an indented plate clip, as shown and described.

**DESCRIPTION**

FIG. 1 is a perspective view of a plastic eating utensil with an indented plate clip, showing a fork embodiment of my new design;

FIG. 2 is a left-side elevational view of FIG. 1, the right-side elevational view being a mirror image thereof;

FIG. 3 is a top plan view of FIG. 1;

FIG. 4 is a bottom plan view of FIG. 1;

FIG. 5 is an enlarged front elevational view of FIG. 1;

FIG. 6 is an enlarged rear elevational view of FIG. 1;

FIG. 7 is a perspective view of a knife embodiment thereof;

FIG. 8 is a top plan view of FIG. 7;

FIG. 9 is a bottom plan view of FIG. 7;

FIG. 10 is a left-side elevational view of FIG. 7;

FIG. 11 is a right-side elevational view of FIG. 7;

FIG. 12 is an enlarged front elevational view of FIG. 7;

FIG. 13 is an enlarged rear elevational view of FIG. 7;

FIG. 14 is a perspective view of a spoon embodiment thereof;

FIG. 15 is a left-side elevational view of FIG. 14, the right-side elevational view being a mirror image thereof;

FIG. 16 is a top plan view of FIG. 14;

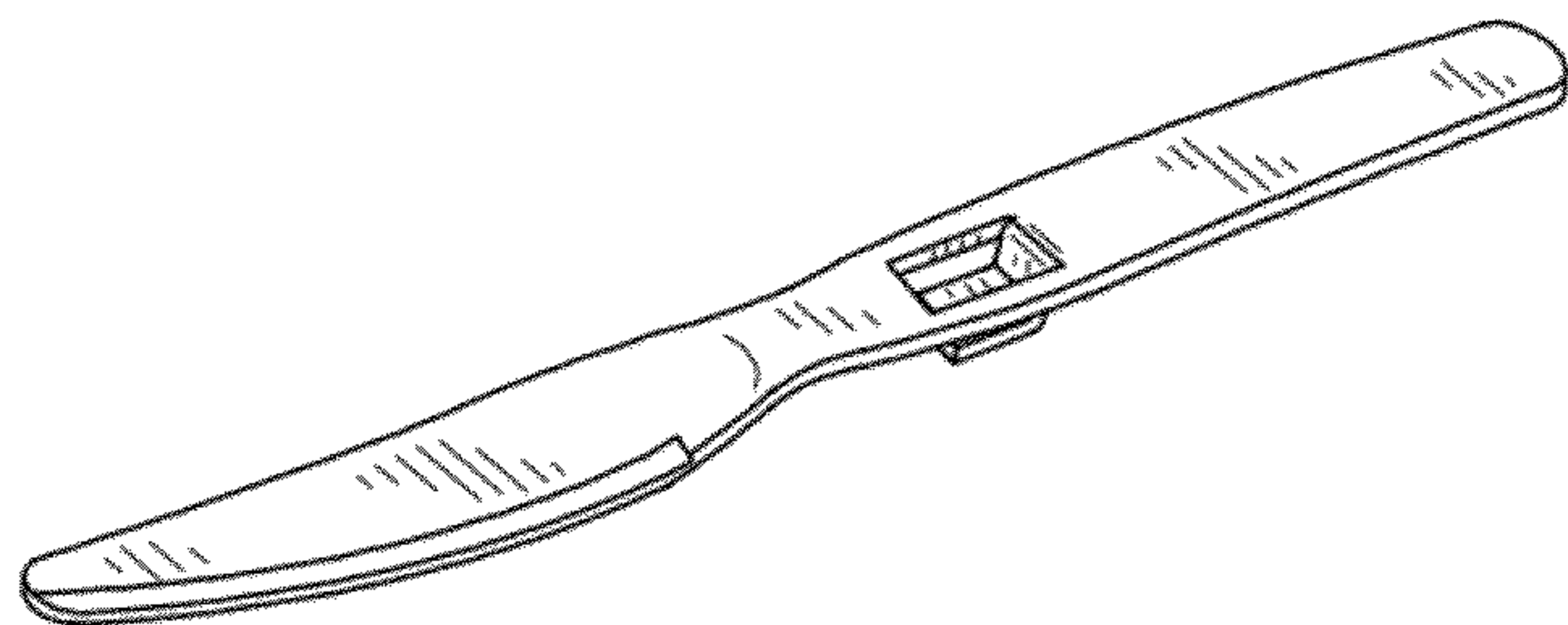
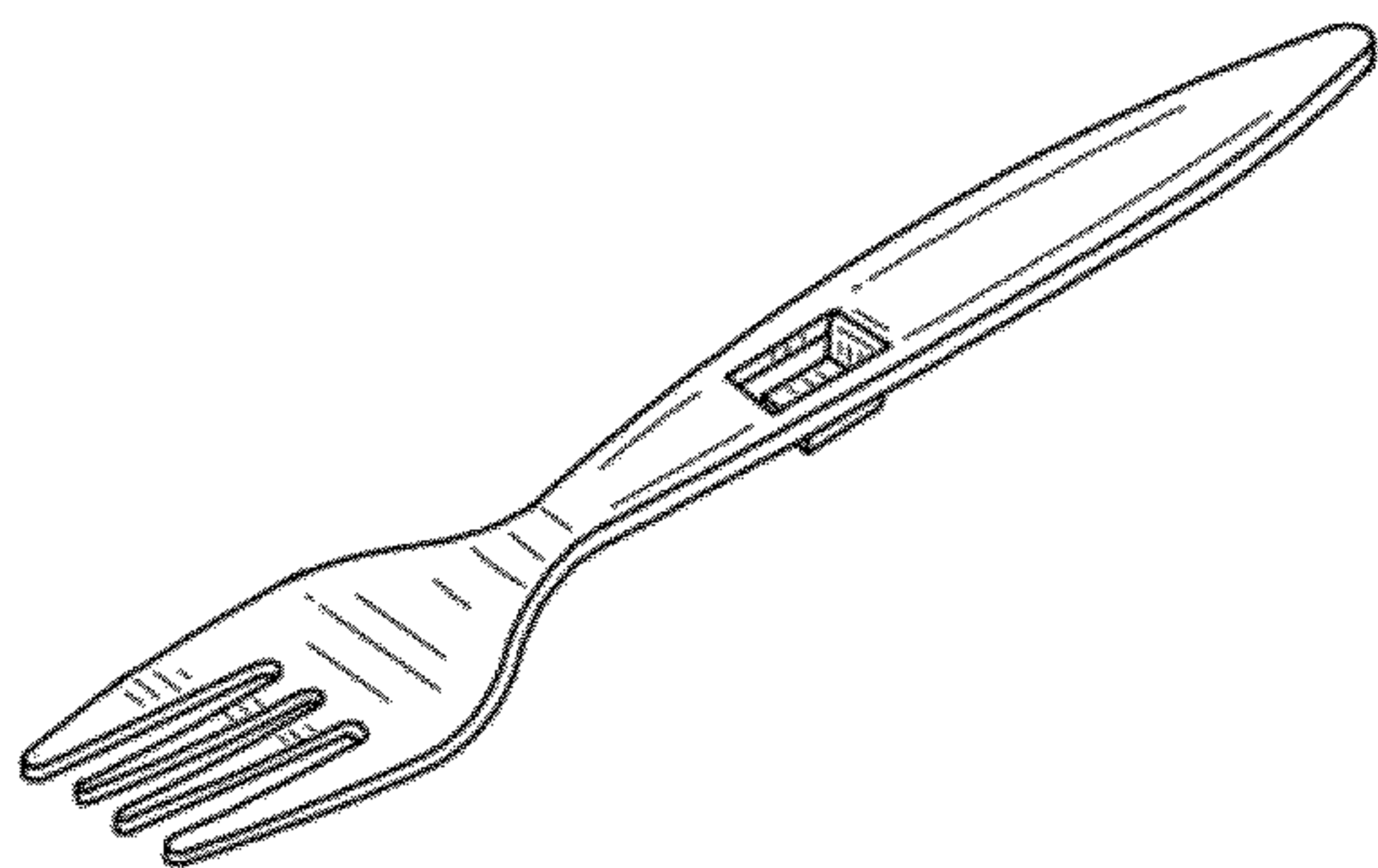
FIG. 17 is a bottom plan view of FIG. 14;

FIG. 18 is a front elevational view of FIG. 14; and,

FIG. 19 is a rear elevational view of FIG. 14.

It is understood that a forth embodiment of the invention is the set comprising the fork, knife and spoon embodiments thereof; and a fifth embodiment of the invention is the set comprising the fork and knife embodiments thereof; and a sixth embodiment of the invention is the set comprising the fork and spoon embodiments thereof; and a seventh embodiment of the invention is the set comprising the knife and spoon embodiments thereof.

**1 Claim, 4 Drawing Sheets**



# US D674,669 S

Page 2

## U.S. PATENT DOCUMENTS

1,371,319	A	3/1921	Manlond				
1,393,574	A *	10/1921	Rohmiller	.....	220/735		
1,576,232	A *	3/1926	Cooke	.....	248/37.6		
1,752,522	A	4/1930	Eckelman				
D84,064	S	4/1931	Trumbull				
2,274,219	A	7/1939	Seller				
2,231,402	A *	2/1941	Whitman	.....	30/327		
D217,632	S	5/1970	Bouchet				
D240,790	S *	8/1976	Daenen	.....	D7/653		
D291,046	S *	7/1987	Johnson	.....	D7/653		
D292,663	S *	11/1987	Johnson	.....	D7/691		
D293,295	S *	12/1987	Johnson	.....	D7/688		
D293,756	S	1/1988	Benson				
D312,749	S *	12/1990	Kessler	.....	D7/395		
5,222,622	A *	6/1993	Laske, Jr.	.....	220/574.1		
D365,254	S	12/1995	Pizzati				
D368,413	S	4/1996	Lowenfels				
D467,137	S	12/2002	Gross				
D529,767	S	10/2006	Huber				
D537,302	S *	2/2007	Vrhovski	.....	D7/645		
D546,210	S	7/2007	Bodum				
D546,634	S	7/2007	Hauser				
D592,019	S	5/2009	Holcomb et al.				
D595,546	S *	7/2009	LeGreve et al.	.....	D7/691		
7,716,842	B2 *	5/2010	Sumner-Trivisani et al.	..	30/324		
D649,398	S	11/2011	Greiner				
D653,500	S	2/2012	Greiner				
D657,625	S *	4/2012	Morga et al.	.....	D7/505		

\* cited by examiner

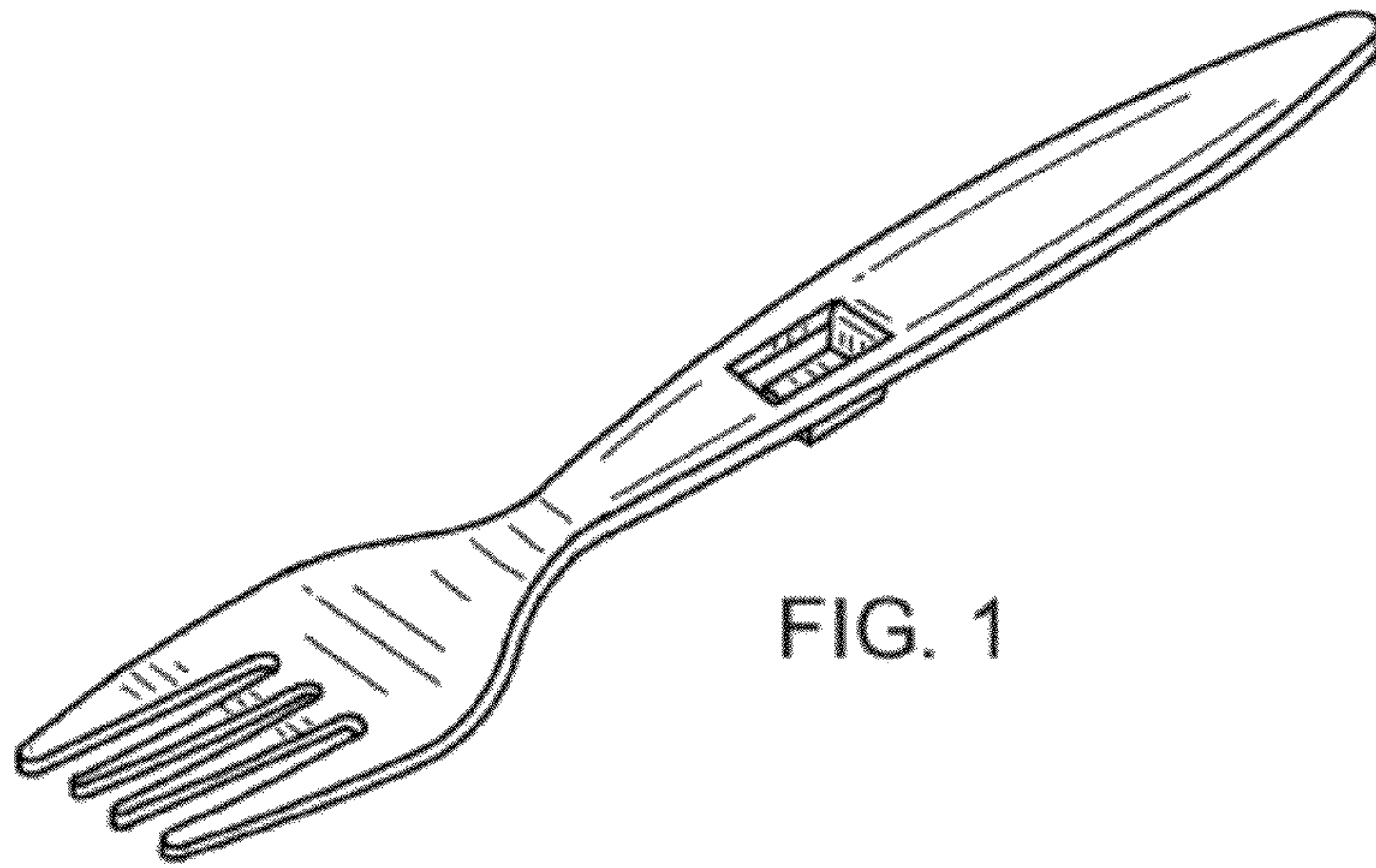


FIG. 1

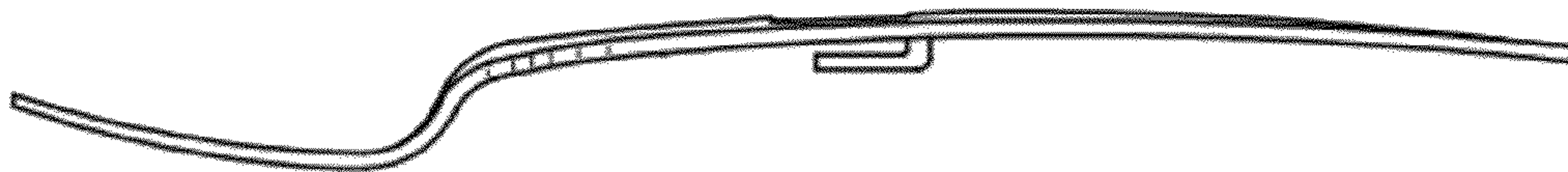


FIG. 2

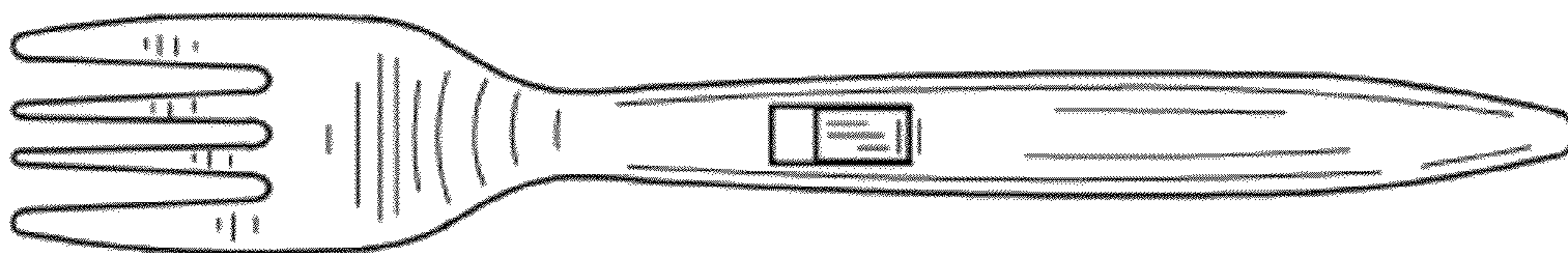


FIG. 3

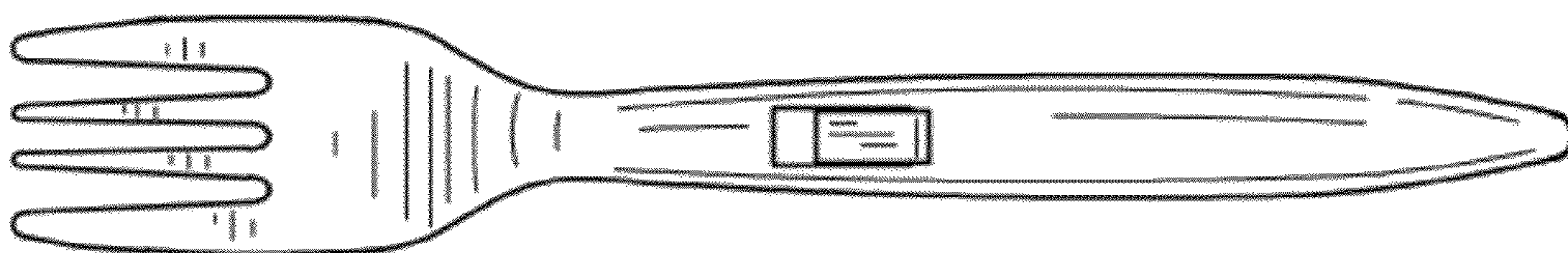


FIG. 4



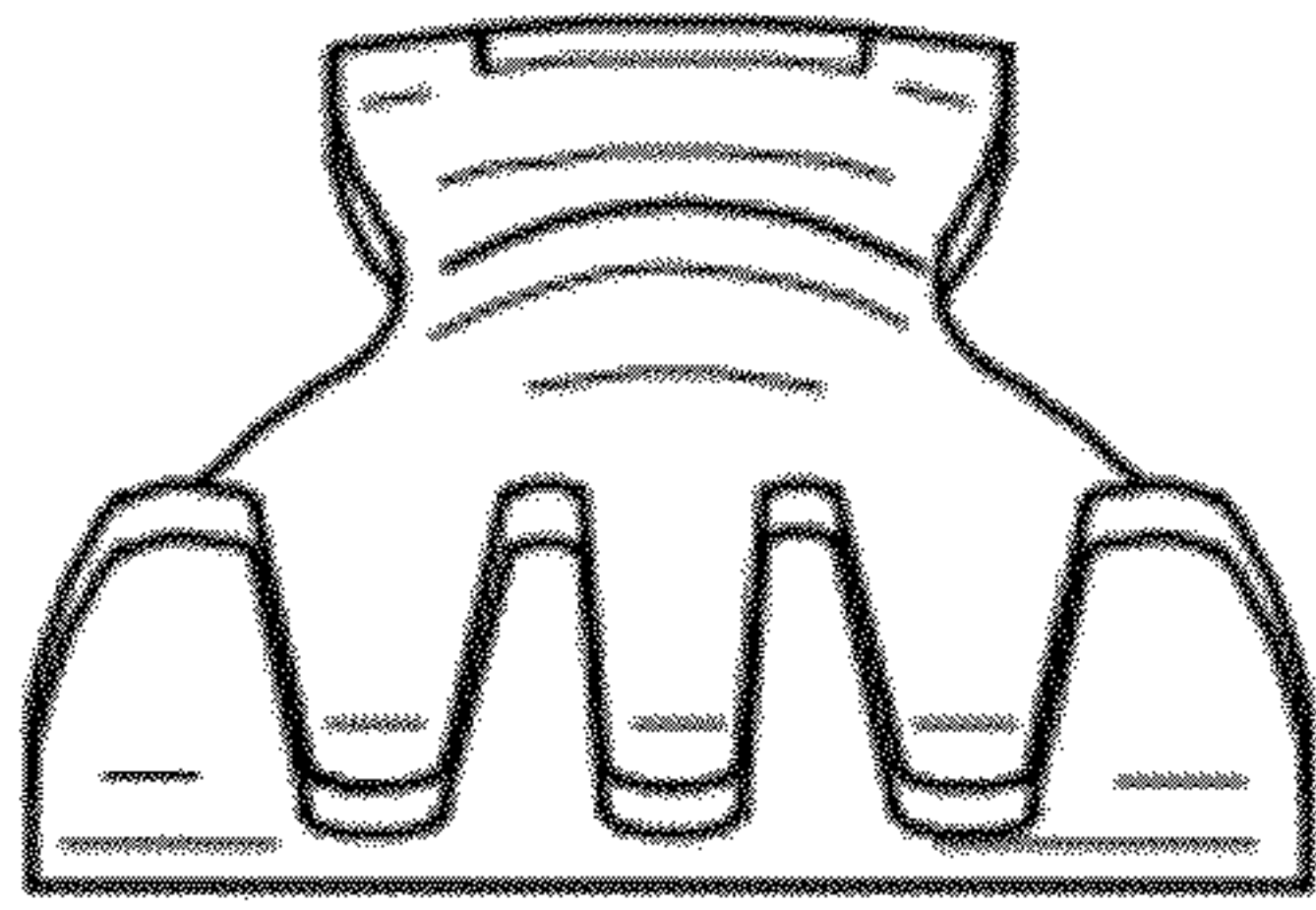


FIG. 5

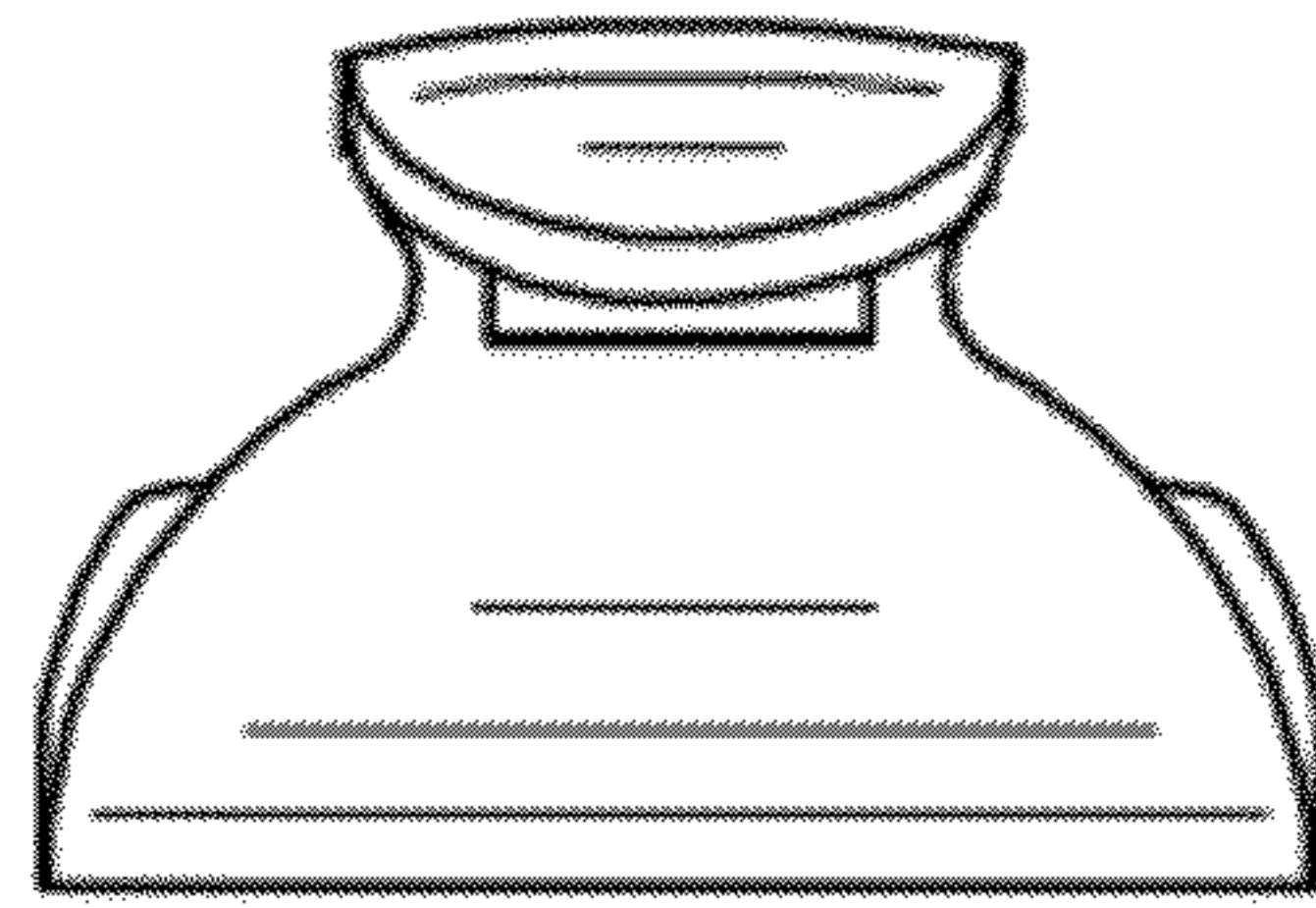


FIG. 6

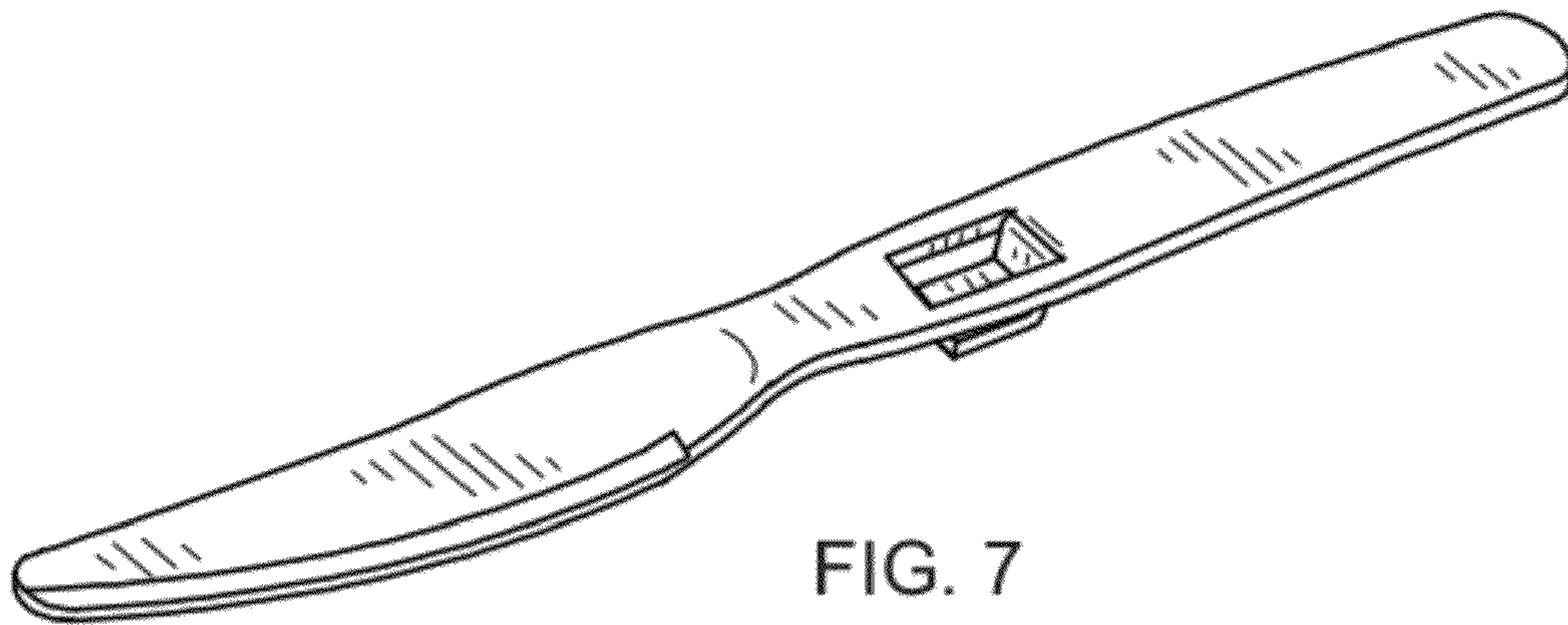


FIG. 7



FIG. 8



FIG. 9

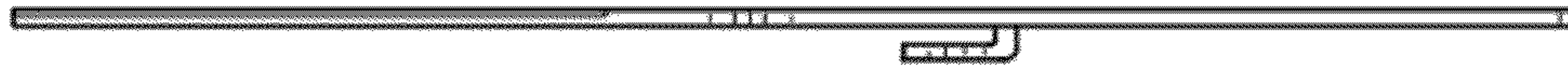


FIG. 10

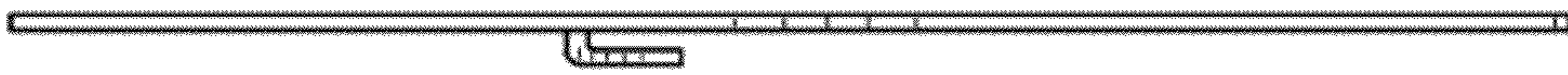


FIG. 11

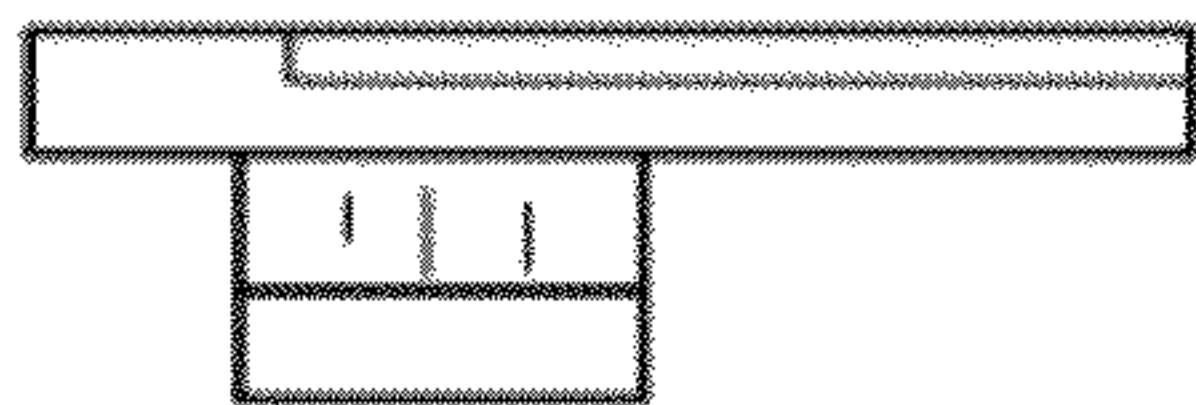


FIG. 12

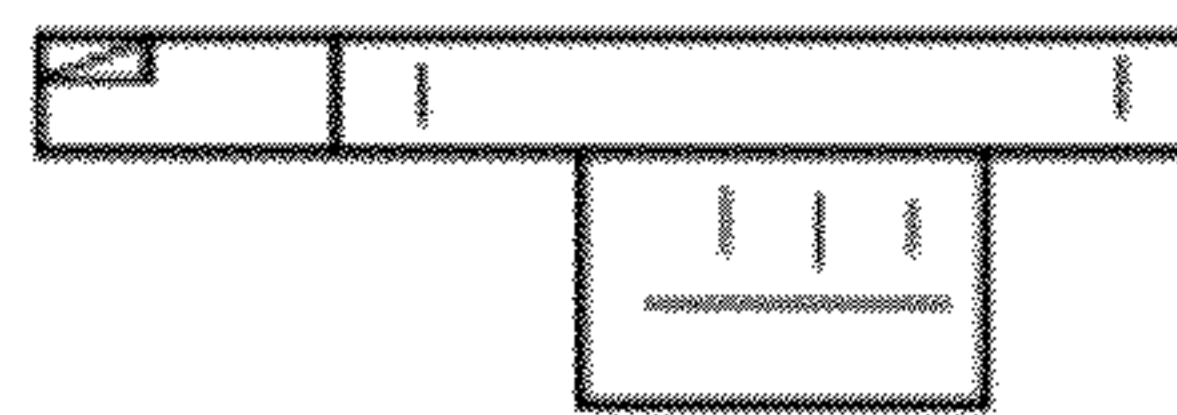


FIG. 13

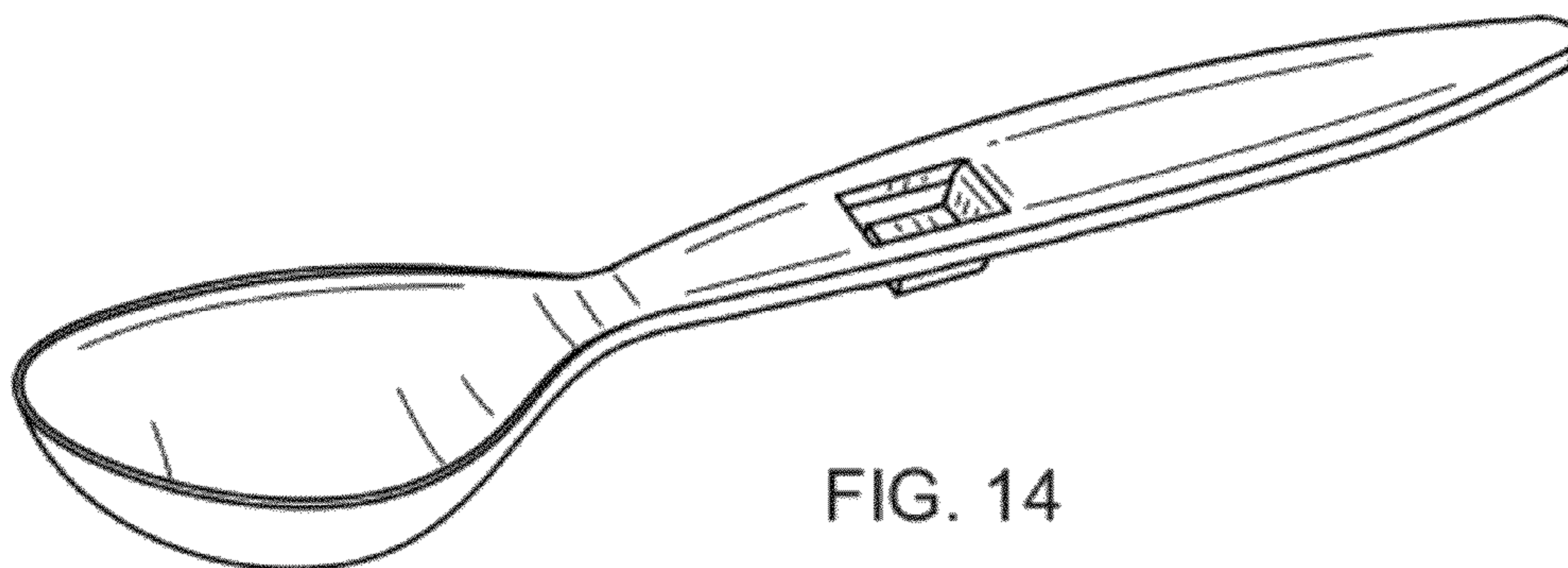


FIG. 14



FIG. 15

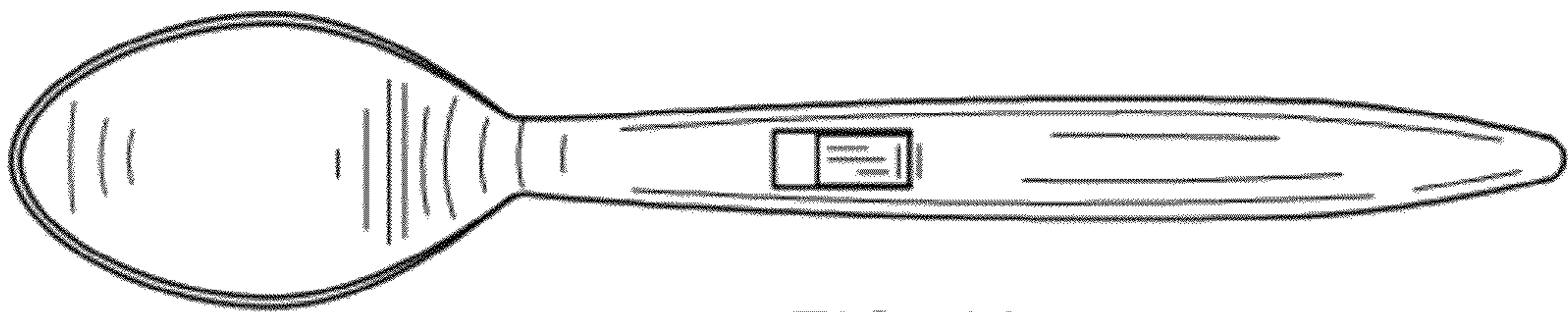


FIG. 16

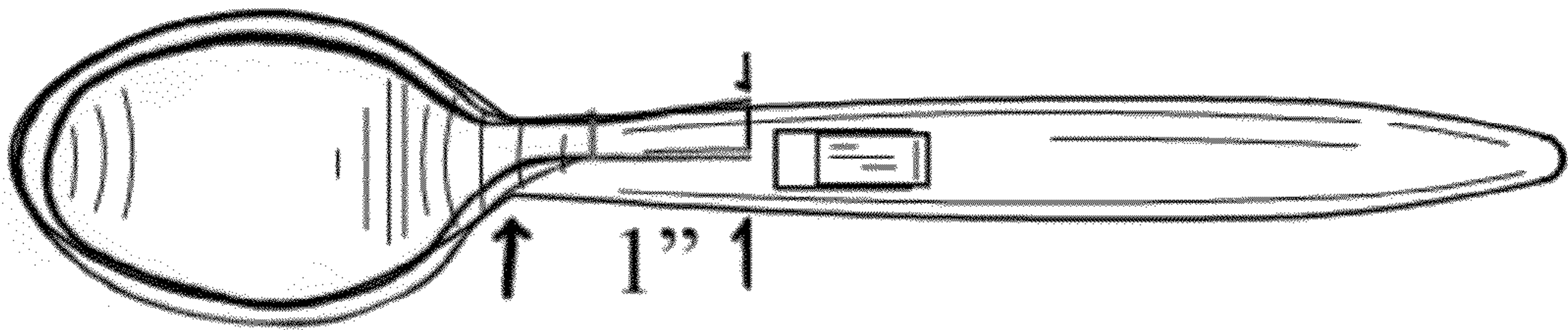


FIG. 17

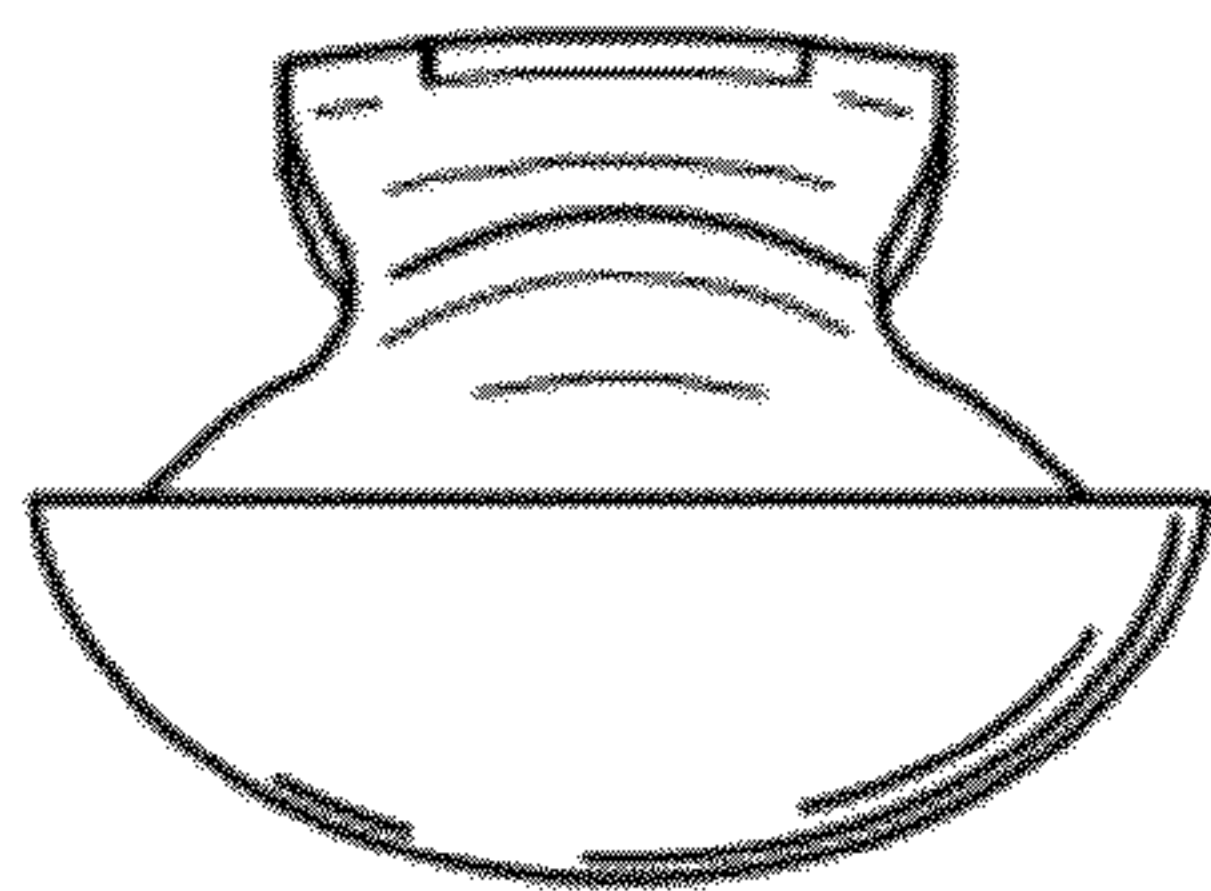


FIG. 18

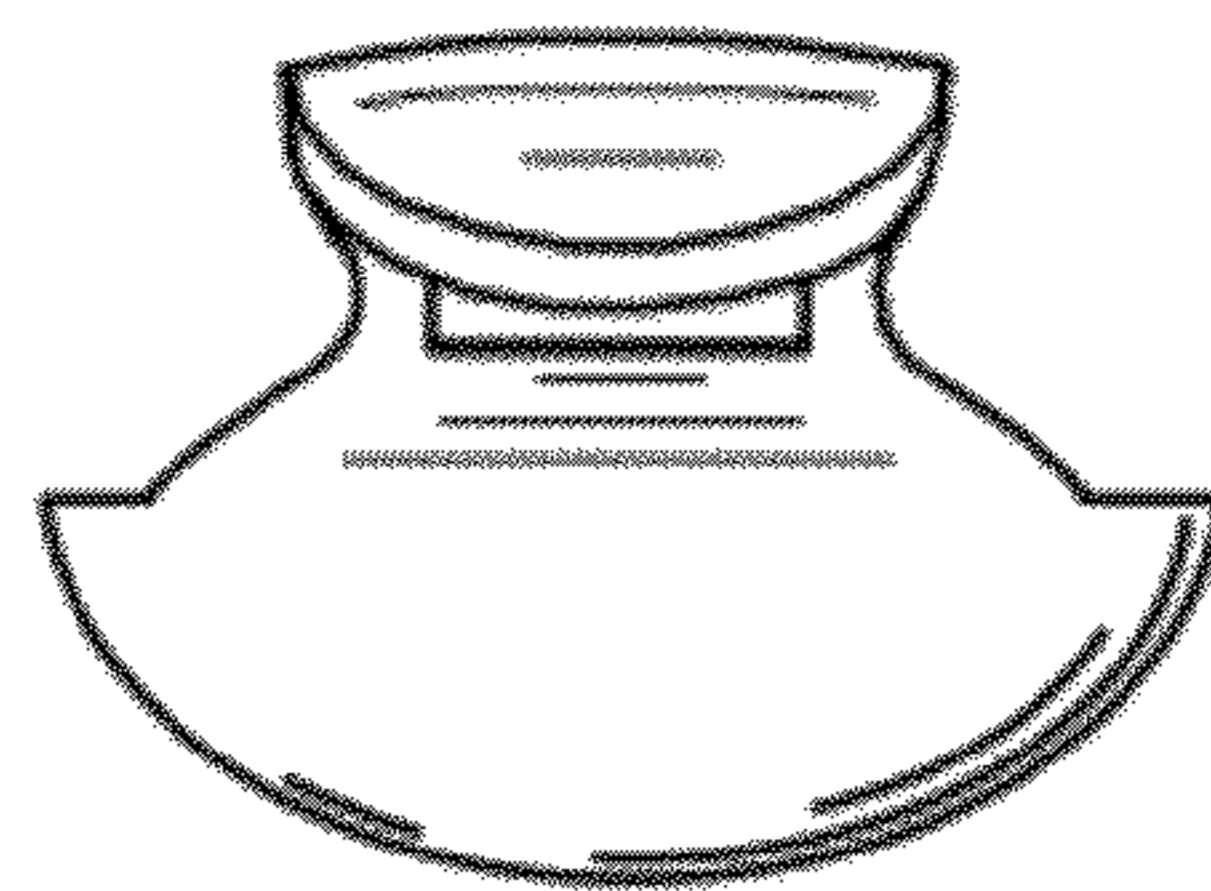


FIG. 19