



US00D674666S

(12) **United States Design Patent**
Pallotto

(10) **Patent No.:** **US D674,666 S**
(45) **Date of Patent:** **** Jan. 22, 2013**

(54) **COVERED CONTAINER WITH STRAINER**

(75) Inventor: **Simone Pallotto**, Etterbeek (BE)

(73) Assignee: **Dart Industries Inc.**, Orlando, FL (US)

(**) Term: **14 Years**

(21) Appl. No.: **29/395,856**

(22) Filed: **Apr. 12, 2012**

(51) **LOC (9) Cl.** **07-07**

(52) **U.S. Cl.** **D7/629; D7/667**

(58) **Field of Classification Search** D7/602,
D7/629, 630, 538-542, 667, 584, 586, 587,
D7/354, 400; D9/424-432; 220/780-806,
220/675, 574-575, 236, 326, 324, 4.23-4.25;
99/495, 490, 505-510; 100/113, 110, 116,
100/127, 213, 248; 210/464, 470-478, 497.1,
210/498, 499

See application file for complete search history.

(56) **References Cited**

U.S. PATENT DOCUMENTS

D110,902 S	8/1938	Loesch	
D189,393 S	12/1960	Schlumbohm	
3,040,897 A	6/1962	Holman	
3,565,281 A	2/1971	Collie	
D257,930 S	1/1981	Conti	
D257,931 S	1/1981	Conti	
D257,933 S	1/1981	Conti	
D272,213 S	1/1984	Daenen	
D344,210 S *	2/1994	Cousins et al.	D7/538
5,871,116 A	2/1999	Picchiatti	
D413,489 S *	9/1999	Miller	D7/629
D416,754 S	11/1999	Laib	
RE36,554 E	2/2000	Chedville	
D422,180 S	4/2000	Sundberg	
D448,619 S	10/2001	Pau	
6,367,409 B1	4/2002	Broom	
D468,168 S *	1/2003	Gruenberg, Sr.	D7/667
D480,264 S	10/2003	de Groote et al.	

D509,106 S	9/2005	de Groote et al.	
D533,394 S	12/2006	Chiang et al.	
D533,405 S	12/2006	Barducci	
D536,217 S	2/2007	Epstein	
D543,412 S *	5/2007	Munson	D7/354
D545,117 S	6/2007	Chiang et al.	
D567,091 S	4/2008	Glydon et al.	
D568,102 S *	5/2008	Ruiz de Az a	D7/667
D569,169 S *	5/2008	Munson	D7/354
D582,218 S *	12/2008	Curtin	D7/629
D584,110 S *	1/2009	Hauser	D7/629
7,487,881 B2	2/2009	Watzke et al.	
D604,120 S *	11/2009	Curtin	D7/629
D611,769 S *	3/2010	Hauser	D7/584
D613,131 S *	4/2010	Chen et al.	D7/667
D613,598 S *	4/2010	Westphal	D7/629

(Continued)

OTHER PUBLICATIONS

2010 Tupperware Mexico Catalog, p. 5, Product Item Nos. F-104 and F-412.

(Continued)

Primary Examiner — Terry Wallace

(74) *Attorney, Agent, or Firm* — John A. Doninger

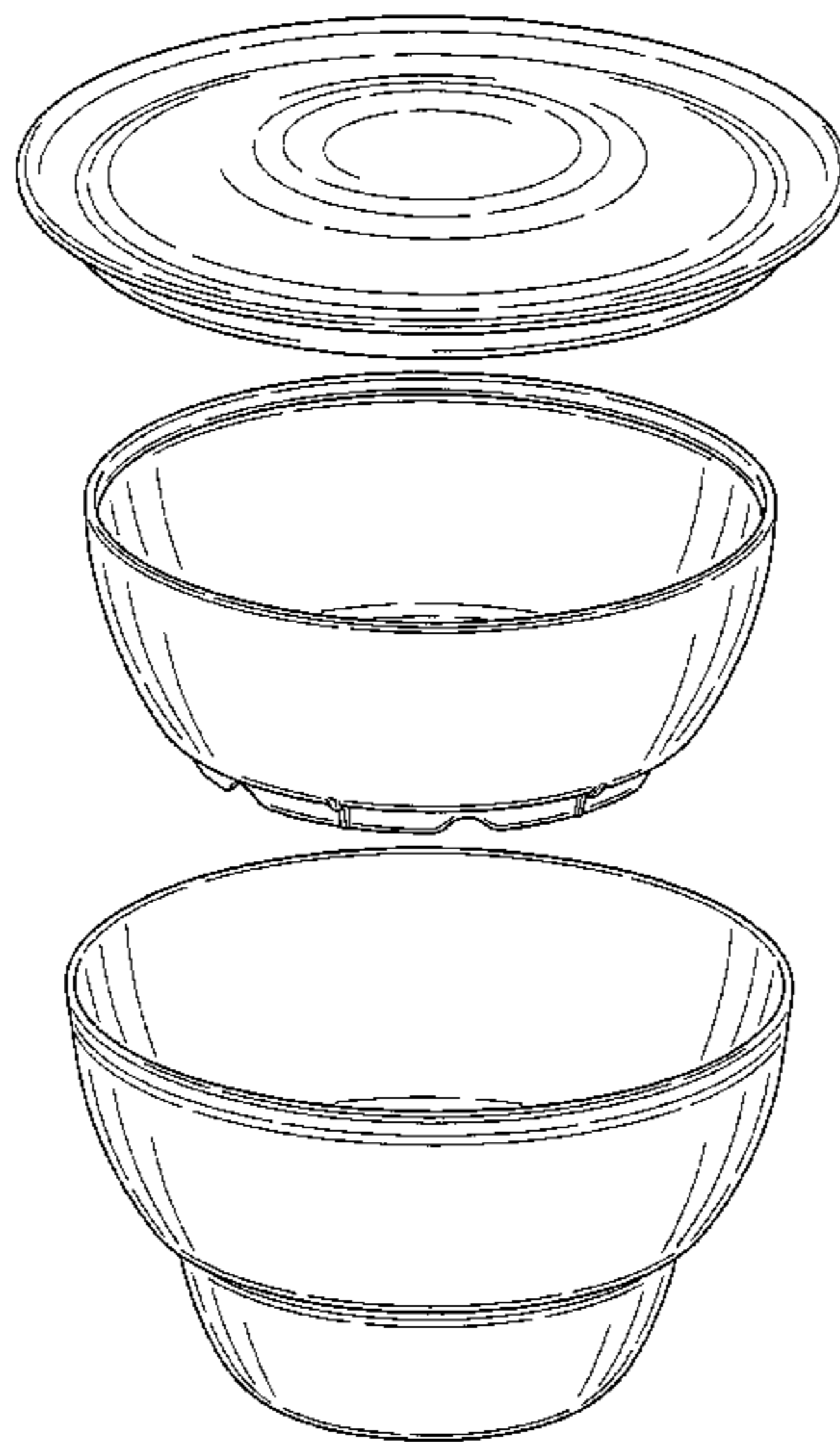
(57) **CLAIM**

The ornamental design for a covered container with strainer, as shown and described.

DESCRIPTION

FIG. 1 is an exploded view of a covered container with strainer showing my new design;
FIG. 2 is an exploded front view, the rear view being identical thereto;
FIG. 3 is an exploded right side view, the left side view being identical thereto;
FIG. 4 is a top plan view thereof; and,
FIG. 5 is a bottom plan view thereof.

1 Claim, 5 Drawing Sheets



US D674,666 S

Page 2

U.S. PATENT DOCUMENTS

D614,453 S * 4/2010 Curtin et al. D7/629
D615,363 S 5/2010 Lion et al.
D641,215 S 7/2011 Heiberg et al.
D641,217 S 7/2011 Chen et al.
2009/0108005 A1 4/2009 Watzke et al.

OTHER PUBLICATIONS

2011 Tupperware U.S. Catalog, pp. 4 and 5, Product Item Nos. d, e
and f.

* cited by examiner



FIG. 1

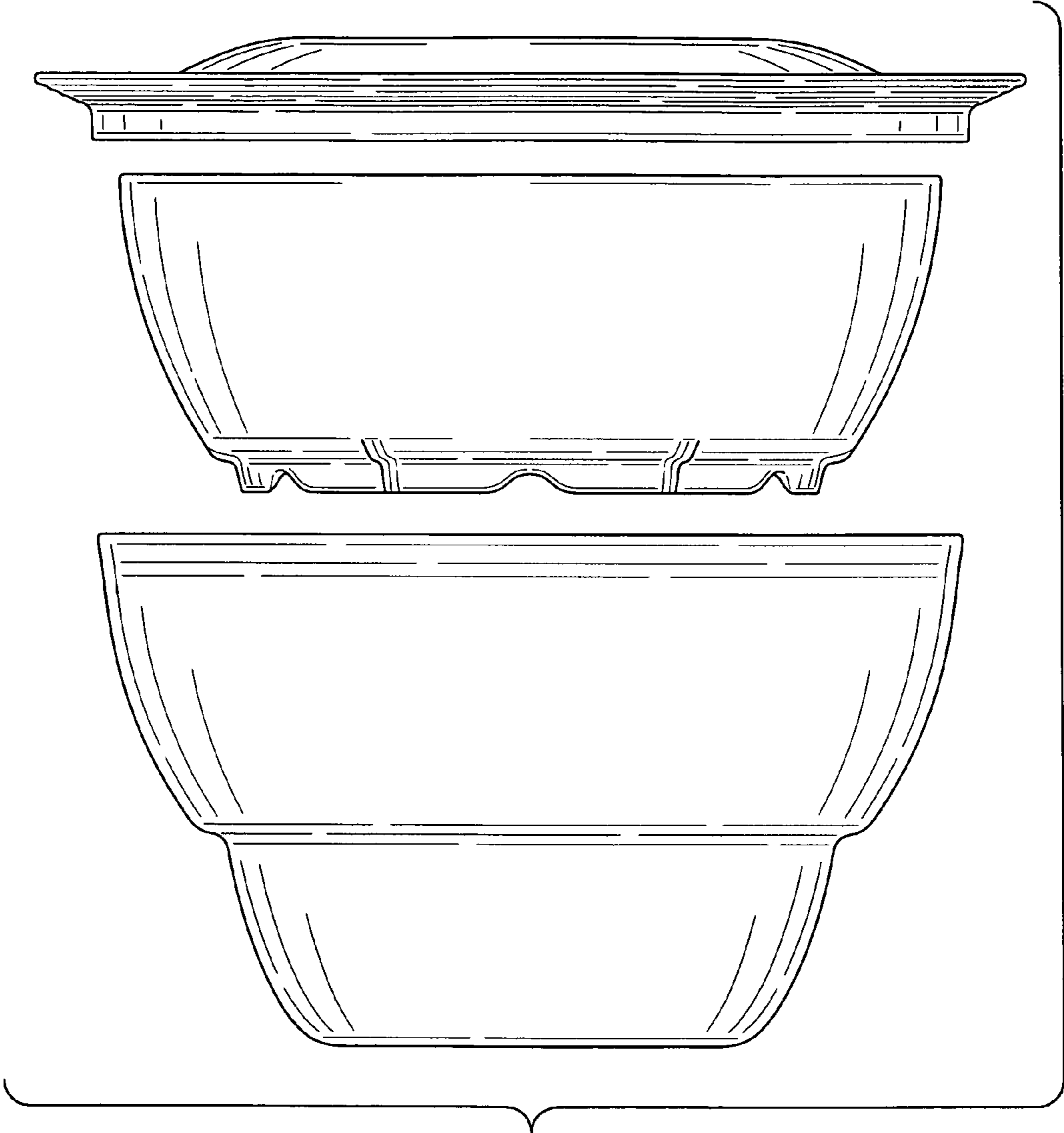


FIG. 2

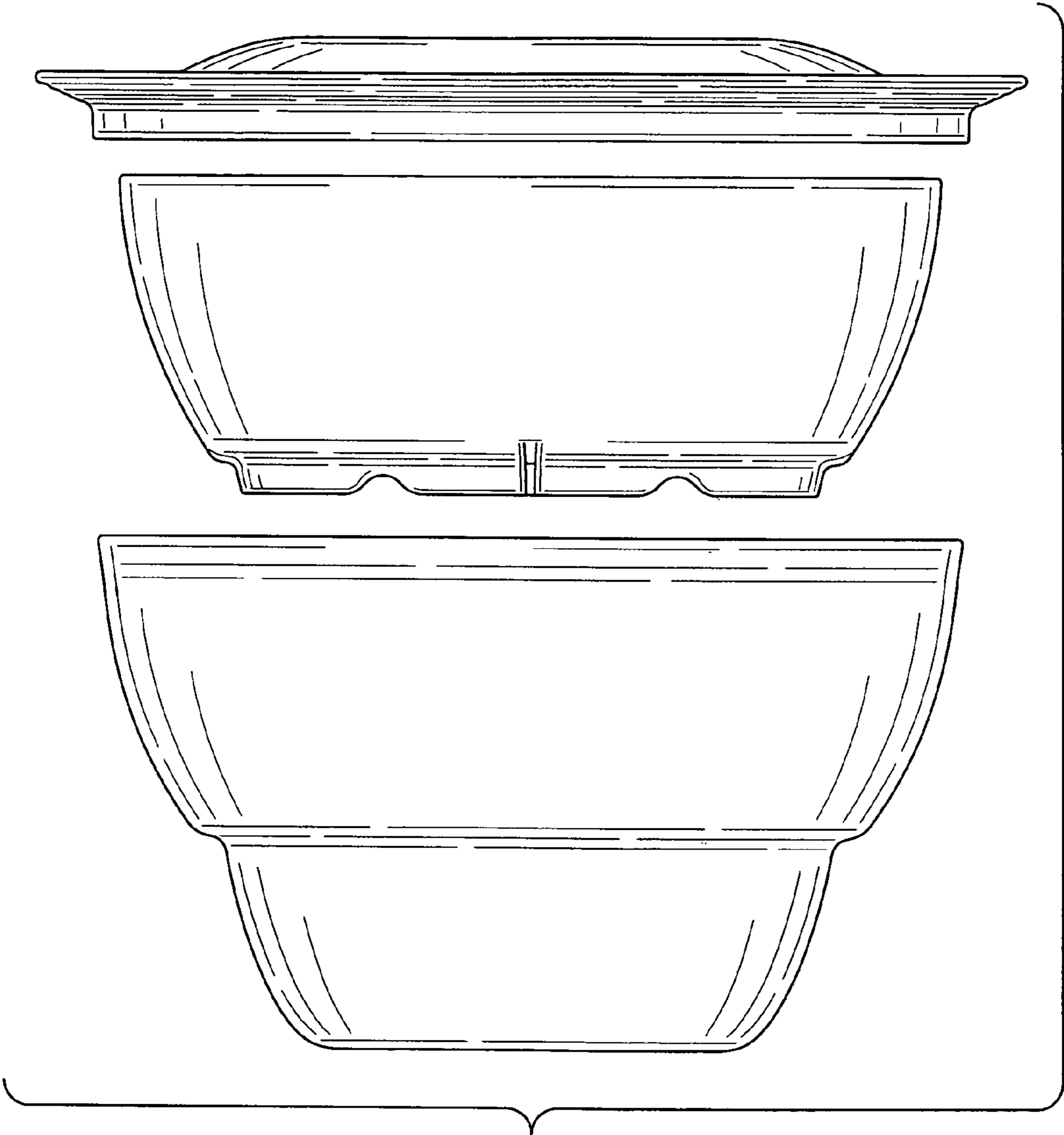


FIG. 3

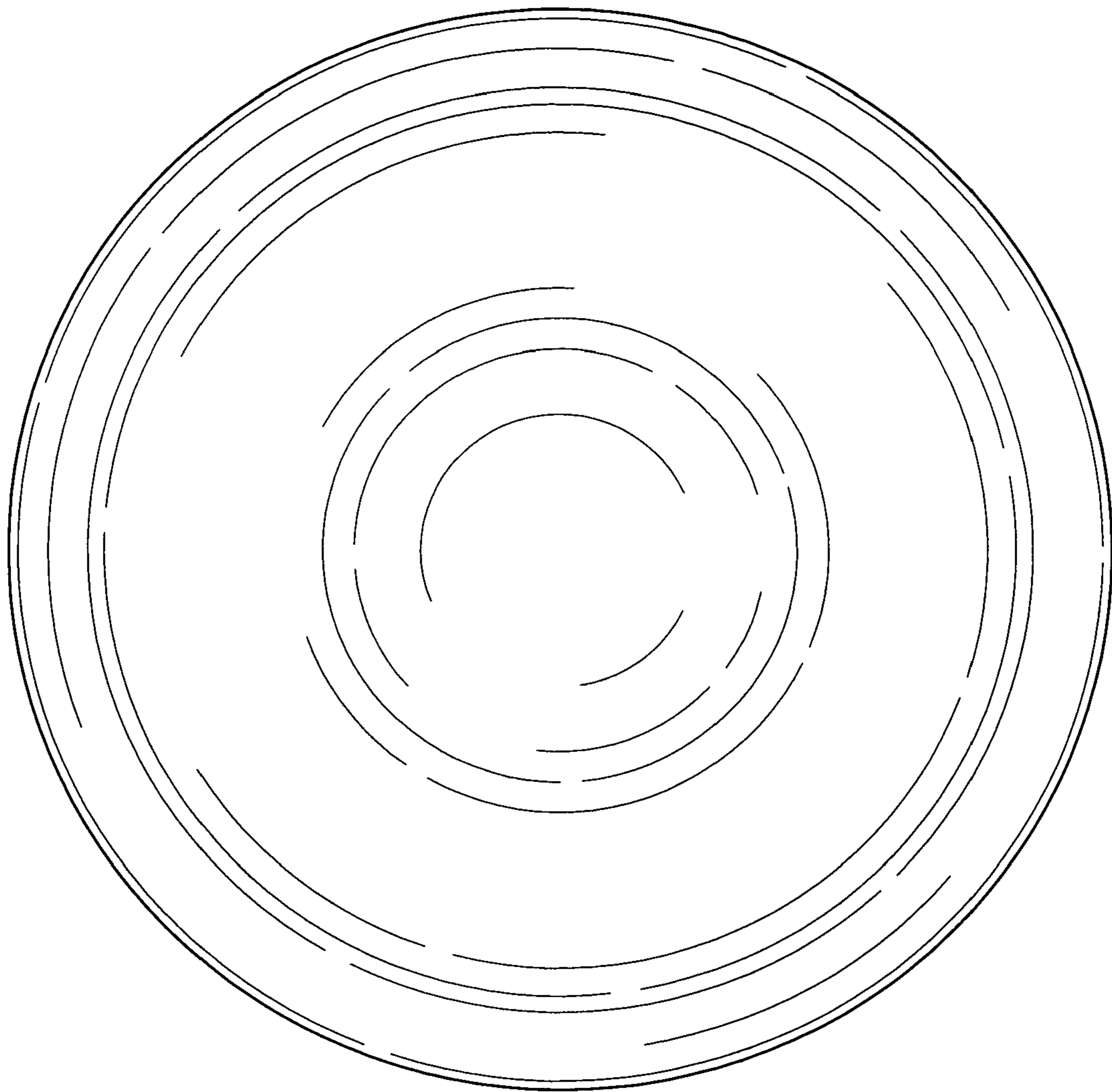


FIG. 4

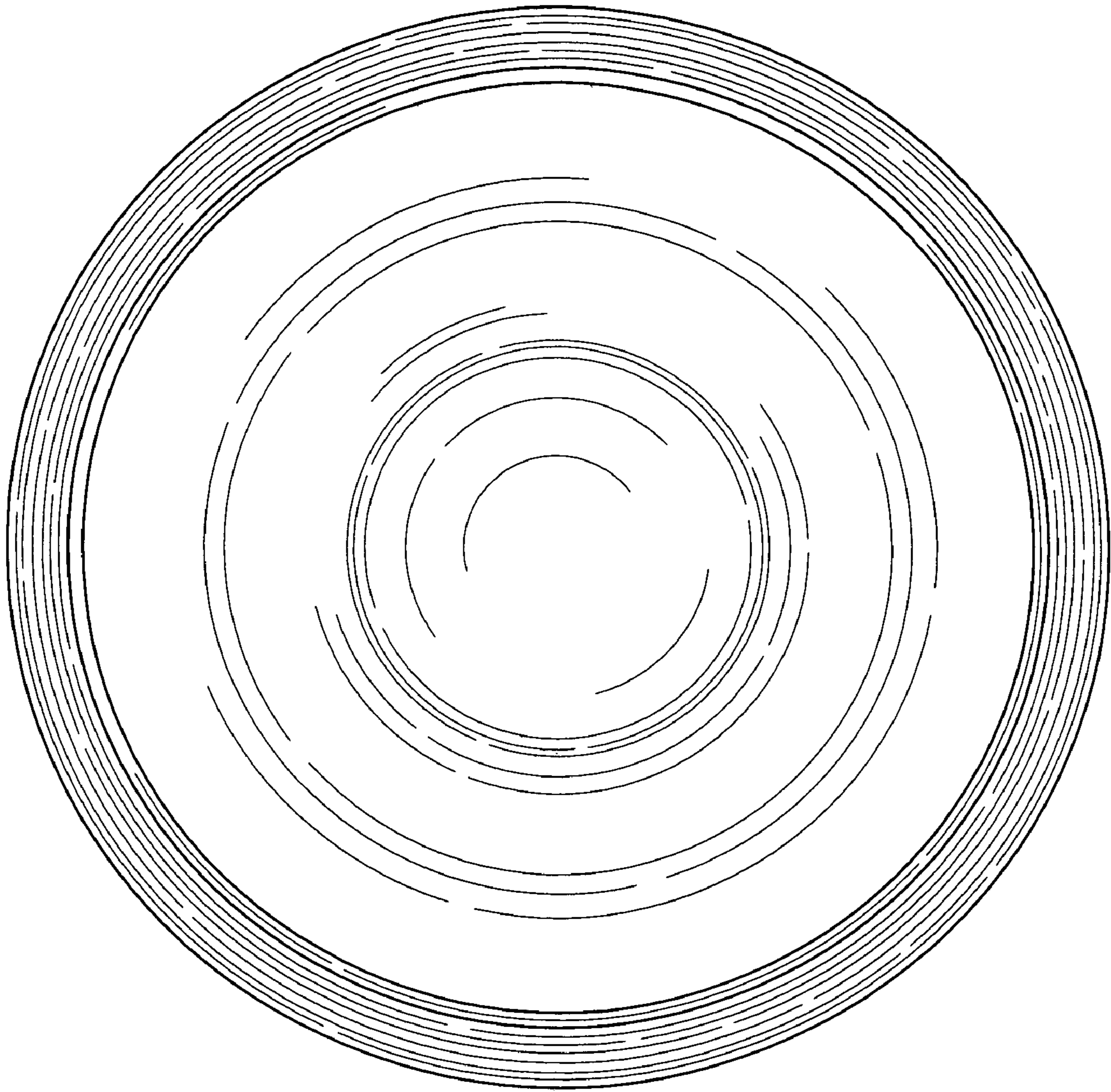


FIG. 5